

LINEAR MODULES ASIA TYPE 日规模组

TPA 玖钧传动 · 智造兴邦



详细代理商资料查询TPA官网 Please check TPA official website for detailed agent information

华东制造基地: East China manufacturing base:

电话 Tel: 0512-50127418

地址: 江苏省昆山市高新区莱斯路15号

Address: No.15 Laisi Road, High-tech Zone, Kunshan City, Jiangsu Province

华南制造基地: South China manufacturing base:

电话 Tel: 0755-84644758

地址: 深圳市坪山区坑梓街道金沙社区东联工业区5号玖钧产业园

Address: Jiujun Industrial Park, No.5 Donglian Industrial Zone, Jinsha Community, Kengzi Street, Pingshan District, Shenzhen City

宁波制造基地: Ningbo manufacturing base

地址: 宁波市奉化区江口街道四明东路299号启迪工业园

Address: Tu Industrial Park, 299 Siming East Road, Jiangkou Street, Fenghua District, Ningbo City

上海分公司: Shanghai Branch

地址: 上海市松江区车墩镇北松公路5255号(智兆大厦)

Address: No.5255 Beisong Highway, Chedun Town, Songjiang District, Shanghai (Zhizhao Building)

北京办事处: Beijing office:

地址: 北京经济技术开发区科创十四街6号院1号楼

Address: Building 1, Yard 6, Kechuangshisi Street, Beijing Economic and Technological Development Zone

无锡办事处: Wuxi office:

地址: 无锡新吴区浩展大厦

Address: Haozhan Building, Xinwu District, Wuxi

浙江办事处: Zhejiang office:

地址: 浙江省绍兴市上虞区江扬路888号中富大厦

Address: Zhongfu Building, 888 Jiangyang Road, Shangyu District, Shaoxing City, Zhejiang Province, China

华中办事处: Central China office:

地址: 武汉市江夏区关南四路35号东港科技产业园

Address: Donggang Science and Technology Industrial Park, No.35 Guannansi Road, Jiangxia District, Wuhan City

东莞办事处: Dongguan office:

地址: 东莞市松山湖研发五路1号林润智谷6栋

Address: Building 6, Linrun Zhigu, No.1 R&D Fifth Road, Songshan Lake, Dongguan City

深圳办事处: Shenzhen office:

地址: 深圳市龙华区龙华街道龙观东路57号时代大厦

Address: Times building, No.57, Long Guan East rd, Longhua district, Shenzhen

版权所有 © 翻印必究 本型录内容如有变更, 恕不另行通知, 敬请谅解。 The contents of this catalogue are subject to change without prior notice.



TPA 网站
TPA website

微信公众号
Wechat public account



产品型录编号: TPA-BD-ZE-001

— 玖钧传动 · 智造兴邦 —

目录 CONTENTS

TPA 玖钧传动 Motion Control



— 玖钧传动 · 智造兴邦 —

公司简介 company Intro	001
半封闭精进型 Semi-sealed economy type linear	007
螺杆系列 screw series	
皮带系列 belt series	
TPA-HNR-120E ----- 017P	TPA-HNB-120E ----- 037P
TPA-HNR-136E ----- 021P	TPA-HNB-136E ----- 043P
TPA-HNR-165E ----- 025P	TPA-HNB-165E ----- 049P
TPA-HNR-190E ----- 029P	TPA-HNB-190E ----- 055P
TPA-HNR-230E ----- 033P	TPA-HNB-230E ----- 061P
激光调高模组 Laser Cutting Z axis	067
TPA-HFR-110E ----- 067P	TPA-HFR-182E ----- 071P
TPA-HFR-134E ----- 069P	
半封闭螺杆型 Semi-sealing screw type	073
TPA-HNR-105D ----- 075P	TPA-HNR-170T ----- 097P
TPA-HNR-110D ----- 079P	TPA-HNR-175D ----- 101P
TPA-HNR-120D ----- 083P	TPA-HNR-202D ----- 107P
TPA-HNR-135T ----- 087P	TPA-HNR-220D ----- 113P
TPA-HNR-140D ----- 091P	TPA-HNR-270D ----- 117P
全封闭螺杆型 Full-sealing screw type	121
TPA-HCR-105D ----- 121P	TPA-HCR-175D ----- 137P
TPA-HCR-110D ----- 125P	TPA-HCR-202D ----- 141P
TPA-HCR-120D ----- 129P	TPA-HCR-220D ----- 145P
TPA-HCR-140D ----- 133P	TPA-HCR-270D ----- 149P
半封闭同步带型 Semi-sealing belt type	153
TPA-HNB-105D ----- 153P	TPA-HNB-175D ----- 177P
TPA-HNB-110D ----- 159P	TPA-HNB-202D ----- 183P
TPA-HNB-120D ----- 165P	TPA-HNB-220D ----- 189P
TPA-HNB-140D ----- 171P	TPA-HNB-270D ----- 195P
全封闭同步带型 Full-sealing belt type	201
TPA-HCB-105D ----- 201P	TPA-HCB-175D ----- 225P
TPA-HCB-110D ----- 207P	TPA-HCB-202D ----- 231P
TPA-HCB-120D ----- 213P	TPA-HCB-220D ----- 237P
TPA-HCB-140D ----- 219P	TPA-HCB-270D ----- 243P
齿轮齿条型 Gear & Rack type	249
TPA-HNT-140D ----- 249P	TPA-HNT-220D ----- 257P
TPA-HNT-175D ----- 253P	TPA-HNT-270D ----- 261P
多轴组合型 Multi-axis combination type	265
螺杆系列 screw series	
皮带系列 belt series	
TPA-A悬臂型 ----- 267P	TPA-A悬臂型 ----- 313P
TPA-A Cantilever type	TPA-A Cantilever type
TPA-F十字型 ----- 287P	TPA-F十字型 ----- 325P
TPA-F Cross type	TPA-F Cross type
TPA-G龙门型 ----- 295P	TPA-G龙门型 ----- 329P
TPA-G Gantry type	TPA-G Gantry type
TPA-P极坐标型 ----- 303P	
TPA-P Polar coordinate type	
参考资料 Reference data	333

公司简介

COMPANY INTRO ▶

TPA玖钧传动创立于2016年10月,隶属玖钧集团,总部坐落在中国·昆山,现有苏州、深圳、宁波三大研发中心、制造基地;全国拥有十几处服务据点。产品畅销海内外主要有:中国(台湾)、日本、越南、印度、美国、欧洲。总生产面积达45000余平方米,在职工500人+,拥有各类先进设备近400台+。

注册商标TPA,寓意:TPA玖钧传动在摸索中“Transfer”不断改变,工作中“Passion”充满激情,发展中“Active”积极进取,永远以昂扬的斗志奋发向前。

TPA玖钧传动——专注于高速高精传动产品,是一家集专业研发、生产、销售、售后、服务为一体的国家级专精特新“小巨人”企业、国家高新技术企业、江苏省级专精特新、省级技术研发中心、江苏省民营科技企业、昆山市专精特新、智能控制SCARA机器人工程技术研究中心。主要产品有:精密传动部件(精密滚珠丝杆副、精密直线导轨副)、精密直线模组(日规模组、欧规模组)、电动缸、钢基模组、内嵌式铝基模组、简易模组、直线电机、直驱旋转电机)、气浮运动控制平台系统、磁悬浮智能传输系统(磁驱环形线、磁悬浮传输系统)。

TPA玖钧传动产品主要服务于:汽车、激光、光伏、3C、锂电、医疗、集成电路、半导体、数控机床、储能、军工等11大产业及其他非标自动化设备;被广泛应用于取放、搬运、定位、分类、扫描、检测、点胶、焊锡等各类作业形式,模块化的产品满足客户多元化的应用场景。

TPA玖钧传动将秉承“永远为伙伴提供优质的服务,有责方远,利他共赢”的公司使命,优化产品,不断创新,始终坚持以高效的运作,优质的产品,精益求精的精神服务客户。

TPA玖钧传动以技术为核心、产品为基础、市场为导向、出色的服务团队、打造“TPA玖钧传动·智造兴邦”的行业新标杆。

TPA Motion Control was founded in October 2016 and is affiliated to JiuJun Group, Our headquarters is located in Kunshan, China. We have 3 R&D centers and manufacturing bases in Suzhou, Shenzhen and Ningbo, and have more than a dozen service locations across the world. Our products sell well at china and abroad mainly in: China (Taiwan), Taiwan(China), Japan, Vintem, India, USA, Europe. Our production area reaches more than 45,000 square meters, with 500+ employees and nearly 400+ sets of various advanced equipment.

Our registered trademark TPA means: TPA Robot "Transfer" continues to make progress in the process of exploration, "Passion" is full of passion in work, "Active" is proactive in development, and we always strives to move forward with high morale.

TPA Robot focuses on high-speed and high-precision transmission products. We are a national-level specialized and new "LITTLE GIANT" enterprise integrating professional R&D, production, sales, after-sales and service. Our main products include: precision transmission components (precision ball screws, precision linear guideways), linear modules (Ball screws driven linear modules, belt driven linear modules, rack & pinion linear modules, linear motors), air-floating motion control systems, magnetic drive intelligent transmission systems (magnetic drive ring lines, magnetic levitation transmission systems).

TPA Robots products mainly serve industries such as automobiles, lasers, photovoltaics, 3C, lithium batteries, medical care, integrated circuits, semiconductors, CNC machine tools, energy storage, military industry and other non-standard automation equipment; they are widely used in pick and place, handling, positioning, classification, scanning, detection, dispensing, soldering and other types of operations, modular products meet customers' diverse application scenarios.

TPA Robot will adhere to the company mission of "always providing high-quality services to partners, being responsible, altruistic and win-win", optimizing products, constantly innovating, and always insisting on serving customers with efficient operations, high-quality products, and the spirit of excellence.

TPA Robot takes technology as the point, product as the foundation, market as the guide, and excellent service team to create a new industry benchmark of "TPA Robot · Intelligent Manufacturing to Prosper the Nation".



>> 公司价值观 Corporate values

核心的竞争和公司的价值观是企业品牌价值的重要体现。
The core competition and the company's values are the important embodiment of enterprise brand value.



出色的营销团队, 专业的产品咨询, 悉心的客户服务, 完善的售后体系。
Excellent marketing team, professional product consultation, attentive customer service and perfect after-sales system.

正直, 尊重个人。任何讨论都以改善工作为前提。尊重差异, 保护多样式的个性。
Integrity and respect for individuals. Any discussion is premised on improving the work. Respect differences and protect multi-style personalities.

敬业, 客户至上。为客户提供无可挑剔的服务。公司在做任何事情或任何决定时都必须同时考虑到客户的感受和利益。
Dedicated, customer first. Provide impeccable service to customers. The company must consider the feelings and interests of customers at the same time when doing anything or making any decision.

专业, 充满激情。勤奋和敬业让我们出色, 投入让我们生动, 激情让我们卓越。
Professional and full of passion. Diligence and dedication make us outstanding, devotion makes us vivid, and passion makes us outstanding.

主动, 不断创新。每个人都是推动公司前进的力量。我们崇尚个人主动创新。任何对公司有益的事情大家都会不遗余力的支持, 主动配合。我们相信每个人的努力都会对公司产生深远的影响。
Initiative and continuous innovation. Everyone is a force to push the company forward. We advocate individual initiative innovation. Everyone will spare no effort to support and actively cooperate with anything that is beneficial to the company. We believe that everyone's efforts will have a profound impact on the company.

我们的优势 Our advantage



- 1 平台优势**
Platform advantage
专业的传动组件制造厂商, 有苏州、深圳、宁波三大生产制造基地和研发中心, 拥有45000余平方米生产制造车间, 自有加工设备近400台+, 销售的产品都具有全自主知识产权。
Professional transmission component manufacturers, Suzhou, Shenzhen, Ningbo three major manufacturing bases and R & D center, with more than 45,000 square meters of production and manufacturing workshops, its own processing equipment
- 2 团队优势**
Team advantage
公司组织架构齐全, 团队核心成员均在行业耕耘十余年, 团队年轻化, 富有活力, 勇于担当, 可为客户提供准确的选型方案及其他相关咨询服务。
The company has a complete organizational structure, and the core members of the team have worked in the industry for more than ten years. The team is young, energetic and courageous, and can provide customers with accurate selection
- 3 技术优势**
Technological advantage
公司拥有百余位行业内资深技术研发人员, 可为客户提供非标定制化需求, 多样灵活的方案。
The company has more than 100 senior technical research and development personnel in the industry, can provide
- 4 产品优势**
Product advantage
核心配件自产, 自给率高, 立足于自动化设备传动领域, 产品类别齐全, 可满足客户在传动形式上多种需求。
Professional transmission component manufacturers, Suzhou, Shenzhen, Ningbo three major manufacturing bases and R & D center, with more than 45,000 square meters of production and manufacturing workshops, its own processing equipment
- 5 品质优势**
Quality advantage
拥有先进的制造设备、专业的检测设备, 完整的生产工艺流程、专业的团队, 多道品质检验流程, 确保产品一致性。
With advanced manufacturing equipment, professional testing equipment, complete production process, professional team, multi-channel quality inspection process to ensure product consistency.
- 6 服务优势**
Service advantage
我司拥有全球化销售网络, 办事处及专业的售后团队, 更快速响应客户售前、售中、售后服务需求。
Our company has a global sales network, offices and professional after-sales team, more quickly respond to customer pre-
- 7 社会责任**
Social responsibility
为员工提供舒适、安全、健康的工作环境, 精密传动配件自产自销, 打破进口依赖, 摆脱“卡脖子”障碍, 专注高速高精传动产品, 为国家智能制造发展添砖加瓦。
To provide employees with a comfortable, safe and healthy working environment, self-production and self-marketing of precision transmission parts, breaking the import dependence, getting rid of the "jam neck" barrier, focusing on high-speed
- 8 价格优势**
Price advantage
规模大、产能高、编制精、人员结构稳定;可帮助客户降低生产成本, 提高产品利润及市场竞争力。
Large scale, high production capacity, fine establishment, stable personnel structure; It can help customers reduce

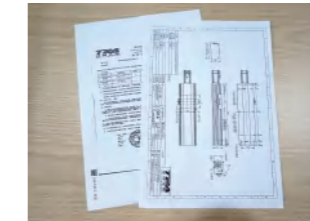
TPA公司环境 Company Environment



TPA模组生产流程 Production process



1. 按照客户需求设计定制图纸。
Design customized drawings according to customer requirements.



2. 订单确认, 客户回传合同及图纸。
Order confirmation, Customers return contracts and drawings.



3. 按照图纸CNC生产加工。
CNC production and processing according to drawings



4. 检查底座平面度。
Check the flatness of the base.



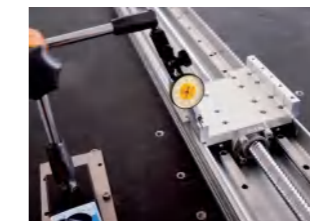
5. 检查底座平行度。
Check the parallelism of the base.



6. 检查螺杆同心度垂直度。
Check the verticality of screw concentricity.



7. 检查有无卡顿情况。
Check for any stuck condition.



8. 通电测试重复定位精度。
Test the accuracy of repeated positioning by electrifying.



9. 模组运行噪音检测。
Running noise detection of module.

TPA
玖钧传动
Motion Control

线性模组出厂检验报告
LINEAR MOTION CONTROL FACTORY INSPECTION REPORT

产品名称: _____ 规格型号: _____
产品型号: _____ 订单号: _____

检验项目		检验结果		备注	
1	外观检查	合格			
2	尺寸精度	合格			
3	平面度	合格			
4	平行度	合格			
5	同心度	合格			
6	垂直度	合格			
7	卡顿情况	合格			
8	重复定位精度	合格			
9	运行噪音	合格			

玖钧传动·智造兴邦
www.tparobot.cn

滑台出厂均附有相应检验报告, 确保产品符合使用要求, 方准予出厂。
The sliding table is shipped with the corresponding inspection report to ensure that the products meet the use requirements, and the sliding table is allowed to leave the factory.

滑台模组规格索引

Spec index of electric actuator

HNB半封闭同步带模组 HNB Series Semi-Sealing Belt Driven Linear Actuator

使用环境 Environment	传动方式 Drive method	规格 Specifications	马达容量 Motor output	本体宽度 Body Width(mm)	重复定位精度 Repeated positioning accuracy	最大可搬重量 Maximum Payload(kg)	标准行程 Stroke pitch(mm)	皮带规格 Belt specifications		理论最高速度*1 Theoretical maximum speed (mm/s)	行程 Stroke	标准行程与建议最高使用速度*2 Stroke(mm) & Maximum speed (mm/s)												
								皮带宽度 Belt width(mm)	导程 Lead(mm)			100-1800	1850	1950	2050	2150	2250	2350	2450	2550	2650	2750	2850	2950
一般环境 General environment	联轴器传动/同步带传动 Coupling/timing belt drive	TPA-HNB-105D	200W	105	±0.04	9	150~3050 (间距100)	20	90	4500		1200												
		TPA-HNB-110D	200W	110	±0.04	9	150~1850 (间距100)	20	90	4500		1200												
		TPA-HNB-120D	400W	120	±0.04	14	150~3050 (间距100)	20	110	5500		1200												
		TPA-HNB-140D	400W	140	±0.04	18	150~3050 (间距100)	25	120	6000		1400												
		TPA-HNB-175D	750W	175	±0.04	30	150~3050 (间距100)	35	140	7000		2000												
		TPA-HNB-202D	750W	202	±0.04	40	150~3050 (间距100)	50	140	7000		2000												
		TPA-HNB-220D	1000W	220	±0.04	50	150~3050 (间距100)	50	176	8800		2000												
		TPA-HNB-270D	1000W	270	±0.04	70	150~3050 (间距100)	50	140	7000		2000												

HCB全封闭同步带模组 HCB Series Full-Sealing Belt Driven Linear Actuator

使用环境 Environment	传动方式 Drive method	规格 Specifications	马达容量 Motor output	本体宽度 Body Width(mm)	重复定位精度 Repeated positioning accuracy	最大可搬重量 Maximum Payload(kg)	标准行程 Stroke pitch(mm)	皮带规格 Belt specifications		理论最高速度*1 Theoretical maximum speed (mm/s)	行程 Stroke	标准行程与建议最高使用速度*2 Stroke(mm) & Maximum speed (mm/s)												
								皮带宽度 Belt width(mm)	导程 Lead(mm)			100-1800	1850	1950	2050	2150	2250	2350	2450	2550	2650	2750	2850	2950
一般环境 General environment	联轴器传动/同步带传动 Coupling/timing belt drive	TPA-HCB-105D	200W	105	±0.04	9	150~3050 (间距100)	20	90	4500		1200												
		TPA-HCB-110D	200W	110	±0.04	9	150~1850 (间距100)	20	90	4500		1200												
		TPA-HCB-120D	400W	120	±0.04	14	150~3050 (间距100)	20	110	5500		1200												
		TPA-HCB-140D	400W	140	±0.04	18	150~3050 (间距100)	25	120	6000		1400												
		TPA-HCB-175D	750W	175	±0.04	30	150~3050 (间距100)	35	140	7000		2000												
		TPA-HCB-202D	750W	202	±0.04	40	150~3050 (间距100)	50	140	7000		2000												
		TPA-HCB-220D	1000W	220	±0.04	50	150~3050 (间距100)	50	176	8800		2000												
		TPA-HCB-270D	1000W	270	±0.04	70	150~3050 (间距100)	50	140	7000		2000												

*1: 最高速度是以伺服马达最高转速3000RPM为基准。
The highest speed is based on the maximum servo motor's rpm(3000).

HNR-E

HNB-E

HFR

HNR

HCR

HNB

HCB

HNT

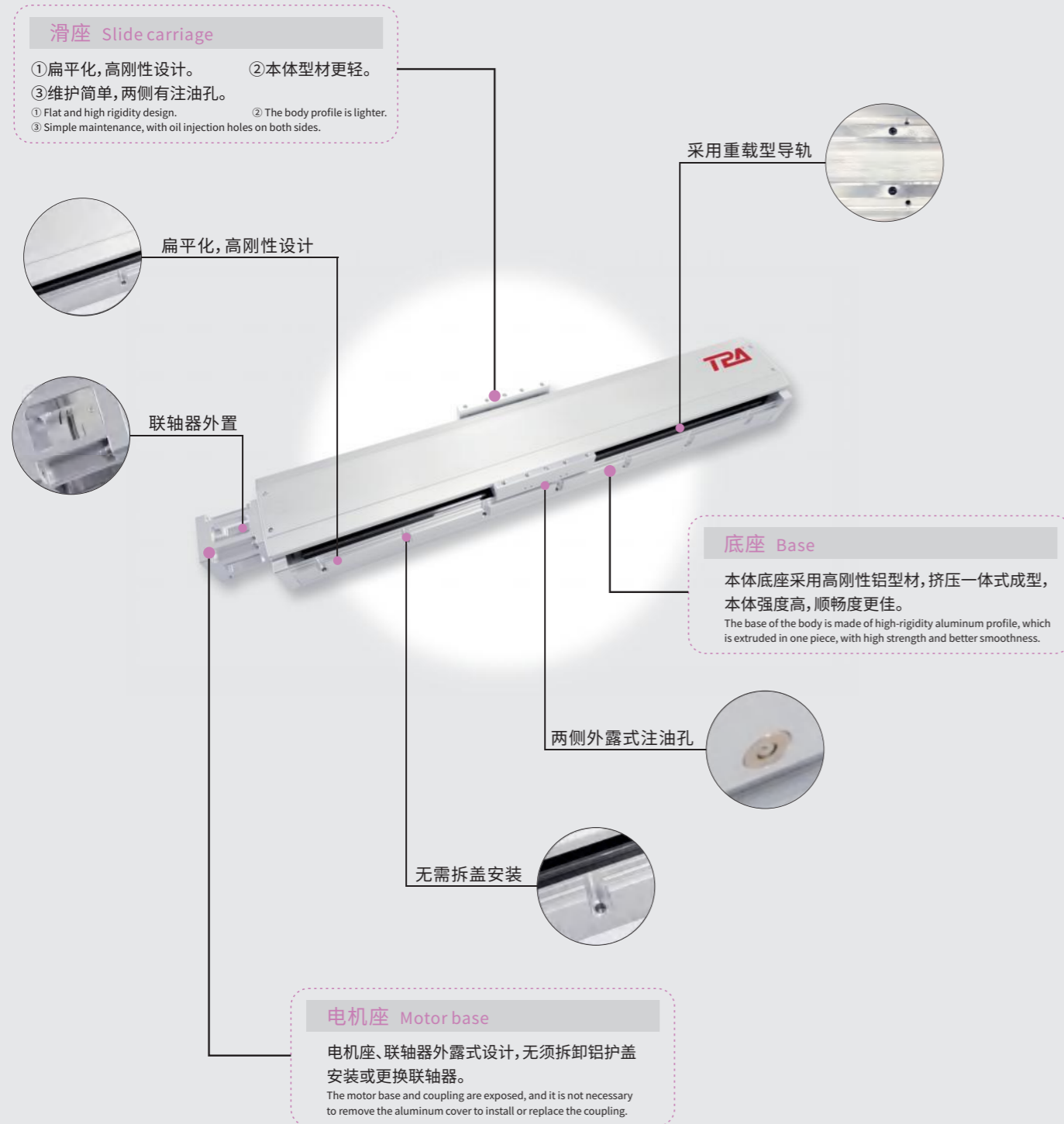
XYZ

参考资料
Reference data



半封闭精进型内部结构图说明

Description of internal structure diagram of Semi-sealed economy type linear



特性 Characteristics

- ① 可定制行程。 ② 高刚性。 ③ 安装维护方便。
- ④ 扁平化、重量轻。 ⑤ 高精度。
- ① Can customize the trip. ② High rigidity. ③ Easy installation and maintenance.
- ④ Low profile size and light weight. ⑤ High precision.

特点 Trait

- ① 扁平化设计, 整体质量更轻, 组合高度更低, 刚性更佳。
- ② 结构优化, 精度更佳, 减少了多个配件组装在一起所带来的误差。
- ③ 组装省时, 省力, 方便; 无需拆卸铝护盖安装联轴器或模组。
- ④ 保养简单, 模组两侧均配有注油孔, 无需拆盖。
- ① Flat design, lighter overall weight, lower combination height and better rigidity.
- ② The structure is optimized, the precision is better, and the error caused by assembling multiple accessories is reduced.
- ③ The assembly is time-saving, labor-saving and convenient; There is no need to remove the aluminum cover to install the coupling or module.
- ④ Maintenance is simple, both sides of the module are equipped with oil injection holes, and the cover does not need to be removed.



重复精度
Repeat Accuracy
 ± 0.02
mm

此图仅供参考, 出货规格详见尺寸图面
This drawing is for reference only, Please refer to the size drawing for shipment specifications.

最大行程
Max stroke 1200mm

最高速度
Max speed 1000mm/s

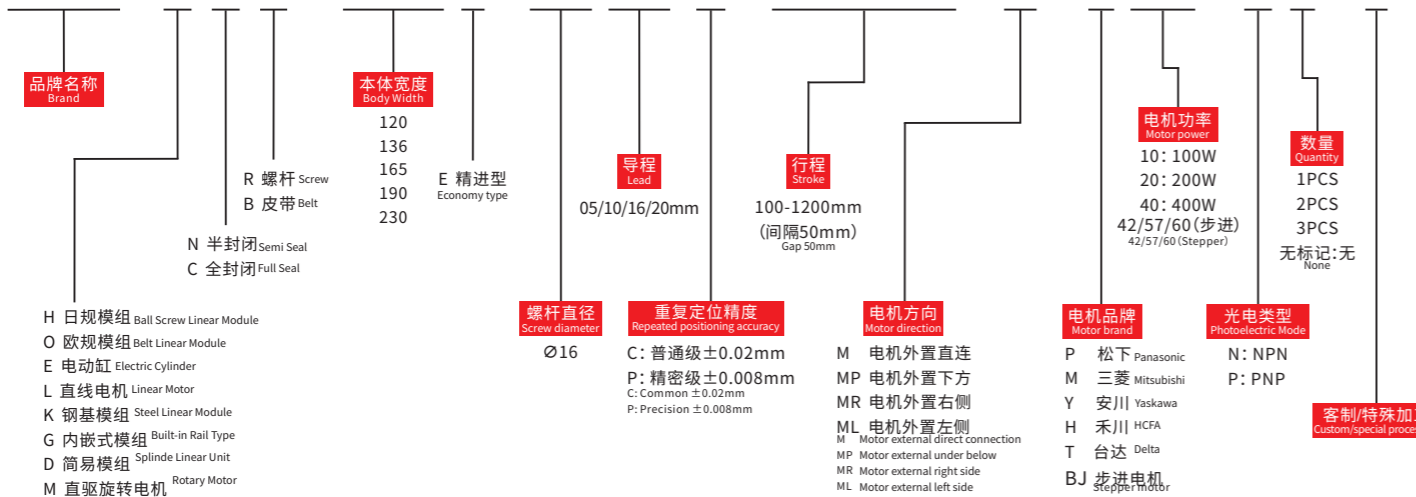
马达容量
Motor output 200W

滚珠螺杆
Ball screw $\varnothing 16$ mm

直线滑轨
Linear guide 15X12.5-2支

型号表达方式 Ordering method

TPA-HNR-120E-1610C-L1200-M-P20-N3-F



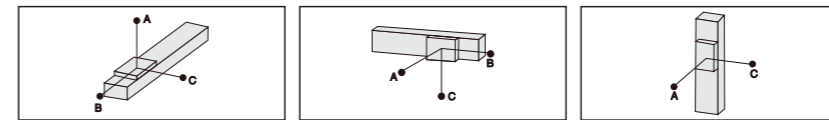
产品性能参数如下 Product performance parameters are as follows

规格 Spec	电机功率 (W) Motor power (W)	200				
	额定扭矩 (N.M) Rated torque (N.M)	0.64				
	重复定位精度 (mm) Repeated positioning accuracy (mm)	± 0.02				
	导程 (mm) Lead (mm)	5	10	16	20	
	最高速度 (mm/s) Maximum speed (mm/s)	250	500	800	1000	
	电机额定转速 (RPM) Rated speed of motor (RPM)	3000				
	最大可搬重量 Maximum Payload	水平使用 (kg) Horizontal (kg)	60	30	23	25
		垂直使用 (kg) Vertical (kg)	27	12	10	7
	定格推力 (N) Rated thrust (N)	615	307	192	154	
	标准行程 (mm) Stroke pitch (mm)	100~1200mm/50 间隔 50 mm Pitch				
部品 Parts	滚珠螺杆外径 (mm) Ball screw \varnothing (mm)	$\varnothing 16$				
	基座材质 Material of base	硬质挤压铝材A1 Hard extruded aluminum A1				
	安装面精度要求 (mm) Accuracy requirements of installation surface (mm)	C级<0.05; P级<0.02 C level<0.05 P level<0.02				
	使用环境 Operating environment	0~40°C, 85%RH (无凝结) No condensation				

注1: 使用非上述功率电机时请依据实际参数推算。
Note 1: When using a motor with a power other than the above, please calculate according to the actual parameters.

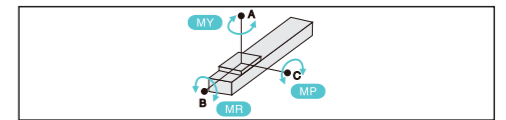
注2: 最高速度因行程和负载而异, 当螺杆细长比大于1:50时, 可能会因螺杆临界速度产生共振和抖动, 应适当下调运行速度, 一般螺杆每增长100mm, 速度应下调10~15%。
Note 2: The maximum speed varies with stroke and load. When the screw slenderness ratio is greater than 1:50, resonance and jitter may occur due to the critical speed of the screw, so the running speed should be reduced appropriately. Generally, the speed should be reduced by 10~15% for every 100mm increase of the screw.

容许负载力矩表 N.m Allowable overhang



水平安装 Horizontal installation				侧面安装 Side mounting				垂直安装 Vertical installation				
导程 Lead	A	B	C	导程 Lead	A	B	C	导程 Lead	A	B	C	
5	30kg	882	65	78	25kg	100	84	1102	5	5kg	544	544
5	40kg	606	43	51	35kg	63	52	725	8kg	341	341	
	50kg	437	29	35	50kg	35	29	433	12kg	227	227	
10	15kg	875	138	157	10kg	250	221	1311	4kg	606	606	
	25kg	485	73	83	20kg	110	97	633	8kg	303	303	
10	30kg	386	56	64	30kg	64	56	385	-	-	-	
	3kg	1644	888	770	2kg	1182	1364	2512	2kg	961	961	
16	5kg	984	510	448	5kg	448	510	976	3kg	639	639	
	-	-	-	-	-	-	-	-	-	-	-	
20	5kg	1160	384	386	5kg	317	316	955	-	-	-	
	10kg	561	180	181	12kg	147	144	455	-	-	-	
20	18kg	288	88	89	18kg	89	88	288	-	-	-	

静态容许负载惯量 Static loading moment



	MY	MP	MR
惯量 (N.m)	150	150	130

*力矩表所表示的数据, 代表重心。
The torque value in the chart indicate the center of gravity.

*符合型录规范的正常试用下, 保证寿命为10000公里。
Operation life is 10,000km when the product is using under the specified conditions.

*倒吊使用无法套用标准规范, 如有需求请咨询我司业务。
The standard specification cannot be applied to the use of inverted crane. Please consult our business if necessary.

搭配伺服马达一览表 Suitable motor brand

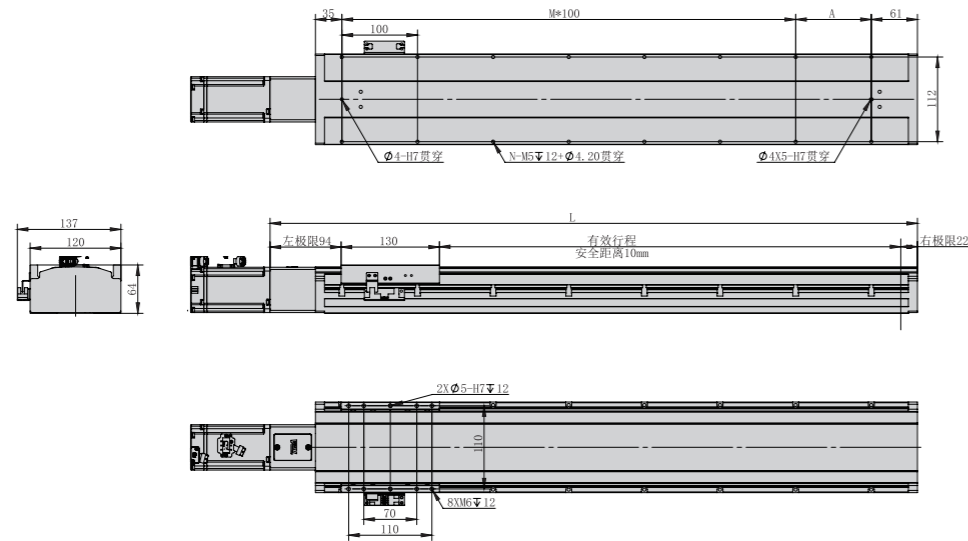
品牌 Brand	马达记号 Mark	刹车有无 Brake	马达容量 Motor capacity	电源电压 AC-Voltage	伺服马达型号 Servo motor model	驱动器型号 Driver Model
三菱 Mitsubishi	M	无刹车(水平式样) No brake (horizontal type)	200	220	HG-KR73	MR-J4-70A
松下 Panasonic	P	无刹车(水平式样) No brake (horizontal type)	200	220	MHMD082G1U	MBDHT3520
台达 Delta	T	无刹车(水平式样) No brake (horizontal type)	200	220	ECMA-C20807ES	ASD-B20721-B



电机外置直连/电机外置下方
Motor external direct connection/Motor external below

M 电机外置直连 Motor external direct connection

单位:Unit: mm



*不含电机重量。*Motor weight not included.

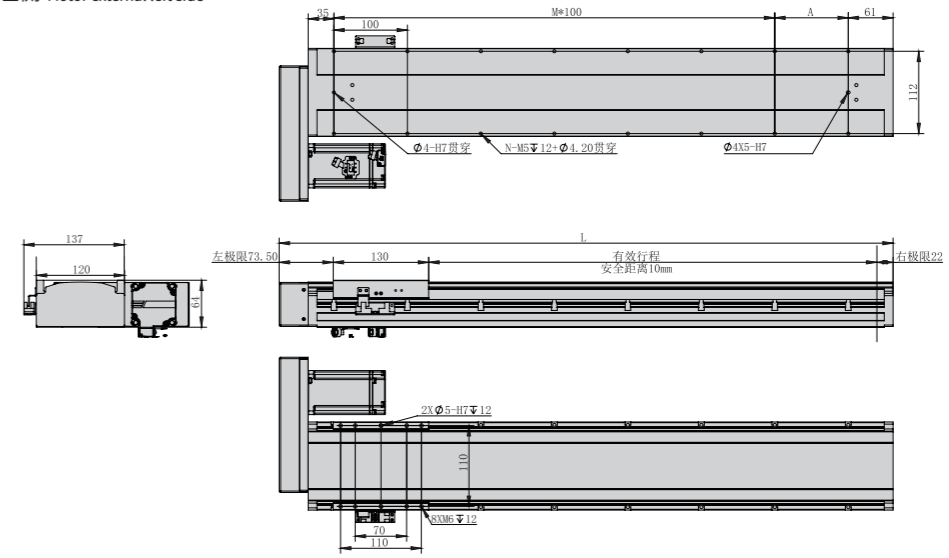
有效行程 Stroke	100	150	200	250	300	350	400	450	500	550	600	650	700	750	800	850	900	950	1000	1050	1100	1150	1200
L	356	406	456	506	556	606	656	706	756	806	856	906	956	1006	1056	1106	1156	1206	1256	1306	1356	1406	1456
A	100	50	100	50	100	50	100	50	100	50	100	50	100	50	100	50	100	50	100	50	100	50	100
N	6	8	8	10	10	12	12	14	14	16	16	18	18	20	20	22	22	24	24	26	26	28	28
M	1	2	2	3	3	4	4	5	5	6	6	7	7	8	8	9	9	10	10	11	11	12	12
KG	4.2	4.5	4.8	5.1	5.4	5.7	6	6.3	6.6	6.9	7.2	7.5	7.8	8.1	8.4	8.7	9	9.3	9.6	9.9	10.2	10.5	10.8

如有超长行程及定制需求, 请咨询我司业务。If you have extra long trip and custom requirements, please consult our business.

电机外置左侧/电机外置右侧
Motor external left side / Motor external right side

ML 电机外置左侧 Motor external left side

单位:Unit: mm



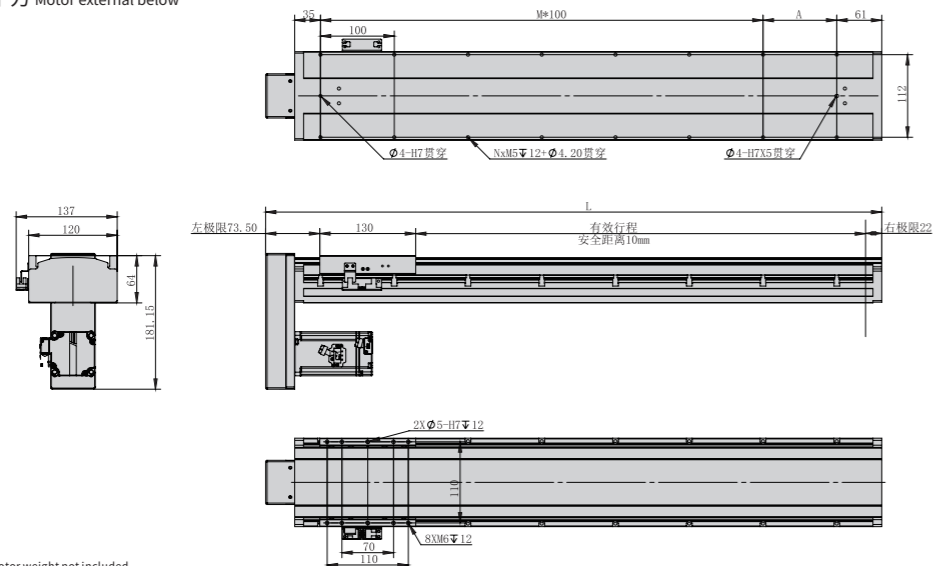
*不含电机重量。*Motor weight not included.

有效行程 Stroke	100	150	200	250	300	350	400	450	500	550	600	650	700	750	800	850	900	950	1000	1050	1100	1150	1200
L	335.5	385.5	435.5	485.5	535.5	585.5	635.5	685.5	735.5	785.5	835.5	885.5	935.5	985.5	1035.5	1085.5	1135.5	1185.5	1235.5	1285.5	1335.5	1385.5	1435.5
A	100	50	100	50	100	50	100	50	100	50	100	50	100	50	100	50	100	50	100	50	100	50	100
N	6	8	8	10	10	12	12	14	14	16	16	18	18	20	20	22	22	24	24	26	26	28	28
M	1	2	2	3	3	4	4	5	5	6	6	7	7	8	8	9	9	10	10	11	11	12	12
KG	4.2	4.5	4.8	5.1	5.4	5.7	6	6.3	6.6	6.9	7.2	7.5	7.8	8.1	8.4	8.7	9	9.3	9.6	9.9	10.2	10.5	10.8

如有超长行程及定制需求, 请咨询我司业务。If you have extra long trip and custom requirements, please consult our business.

MP 电机外置下方 Motor external below

单位:Unit: mm



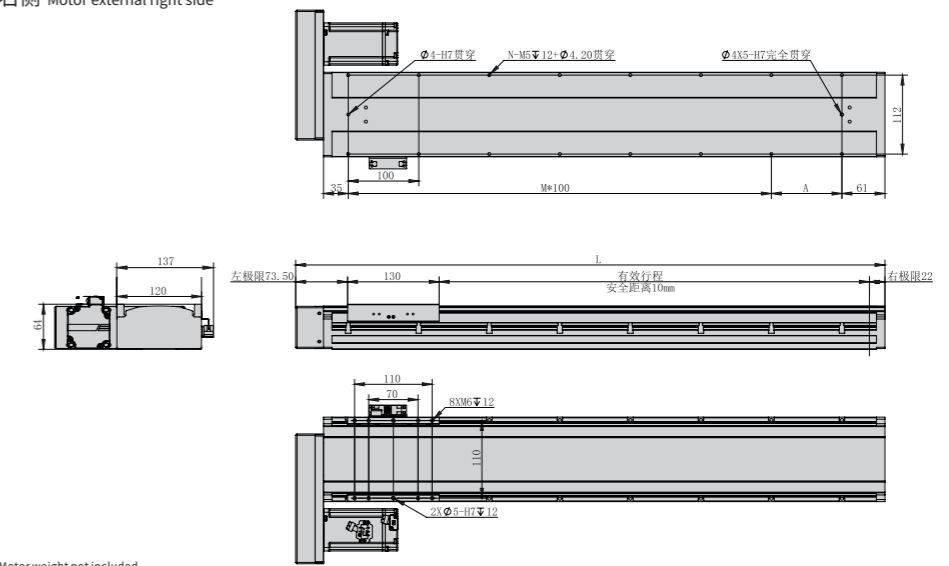
*不含电机重量。*Motor weight not included.

有效行程 Stroke	100	150	200	250	300	350	400	450	500	550	600	650	700	750	800	850	900	950	1000	1050	1100	1150	1200
L	335.5	385.5	435.5	485.5	535.5	585.5	635.5	685.5	735.5	785.5	835.5	885.5	935.5	985.5	1035.5	1085.5	1135.5	1185.5	1235.5	1285.5	1335.5	1385.5	1435.5
A	100	50	100	50	100	50	100	50	100	50	100	50	100	50	100	50	100	50	100	50	100	50	100
N	6	8	8	10	10	12	12	14	14	16	16	18	18	20	20	22	22	24	24	26	26	28	28
M	1	2	2	3	3	4	4	5	5	6	6	7	7	8	8	9	9	10	10	11	11	12	12
KG	4.2	4.5	4.8	5.1	5.4	5.7	6	6.3	6.6	6.9	7.2	7.5	7.8	8.1	8.4	8.7	9	9.3	9.6	9.9	10.2	10.5	10.8

如有超长行程及定制需求, 请咨询我司业务。If you have extra long trip and custom requirements, please consult our business.

MR 电机外置右侧 Motor external right side

单位:Unit: mm



*不含电机重量。*Motor weight not included.

有效行程 Stroke	100	150	200	250	300	350	400	450	500	550	600	650	700	750	800	850	900	950	1000	1050	1100	1150	1200
L	335.5	385.5	435.5	485.5	535.5	585.5	635.5	685.5	735.5	785.5	835.5	885.5	935.5	985.5	1035.5	1085.5	1135.5	1185.5	1235.5	1285.5	1335.5	1385.5	1435.5
A	100	50	100	50	100	50	100	50	100	50	100	50	100	50	100	50	100	50	100	50	100	50	100
N	6	8	8	10	10	12	12	14	14	16	16	18	18	20	20	22	22	24	24	26	26	28	28
M	1	2	2	3	3	4	4	5	5	6	6	7	7	8	8	9	9	10	10	11	11	12	12
KG	4.2	4.5	4.8	5.1	5.4	5.7	6	6.3	6.6	6.9	7.2	7.5	7.8	8.1	8.4	8.7	9	9.3	9.6	9.9	10.2	10.5	10.8

如有超长行程及定制需求, 请咨询我司业务。If you have extra long trip and custom requirements, please consult our business.



重复精度
Repeat Accuracy
±0.02 mm

此图仅供参考, 出货规格详见尺寸图面
This drawing is for reference only, Please refer to the size drawing for shipment specifications.

最大行程
Max stroke 1400mm

最高速度
Max speed 1000mm/s

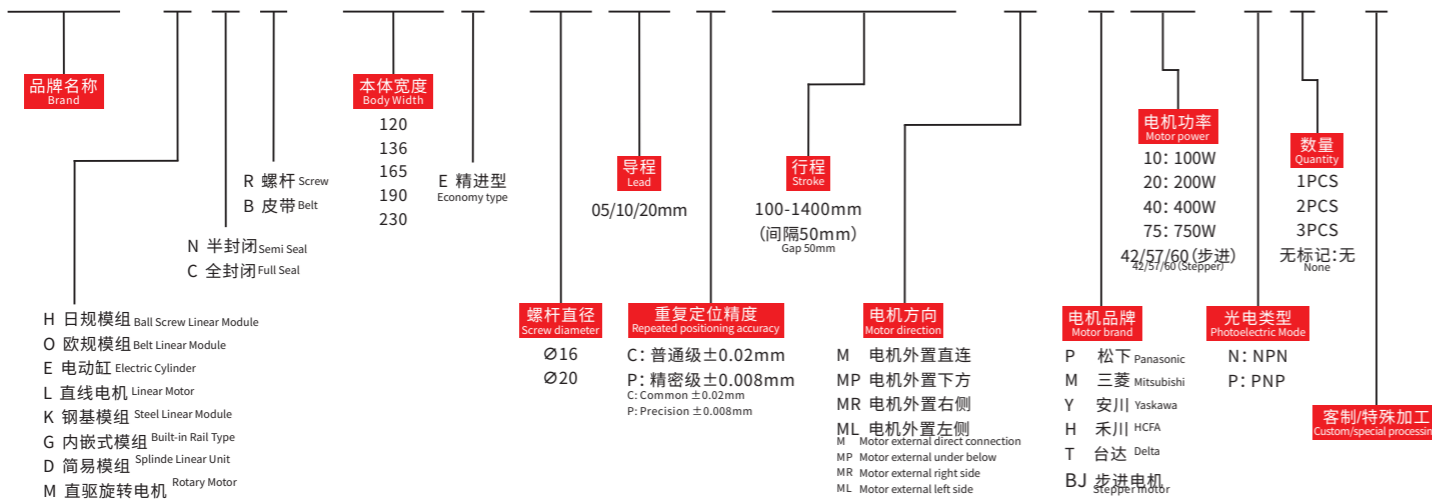
马达容量
Motor output 400W

滚珠螺杆
Ball screw Ø20mm

直线滑轨
Linear guide 15X12.5-2支

型号表达方式 Ordering method

TPA-HNR-136E-2010C-L1400-M-P40-N3-F



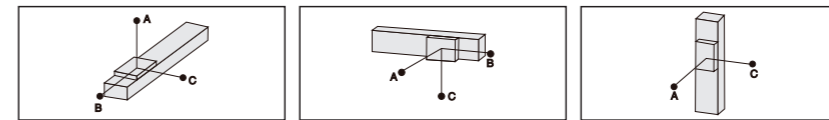
产品性能参数如下 Product performance parameters are as follows

规格 Spec	电机功率 (W) Motor power (W)	400			
	额定扭矩 (N.M) Rated torque (N.M)	1.3			
	重复定位精度 (mm) Repeated positioning accuracy (mm)	±0.02			
	导程 (mm) Lead (mm)	5	10	20	
	最高速度 (mm/s) Maximum speed (mm/s)	250	500	1000	
	电机额定转速 (RPM) Rated speed of motor (RPM)	3000			
	最大可搬重量 Maximum Payload	水平使用 (kg) Horizontal (kg)	110	88	40
		垂直使用 (kg) Vertical (kg)	50	40	25
	定格推力 (N) Rated thrust (N)	1250	625	312	
	标准行程 (mm) Stroke pitch (mm)	100~1400mm/50 间隔 50 mm Pitch			
部品 Parts	滚珠螺杆外径 (mm) Ball screw Ø (mm)	Ø20			
	基座材质 Material of base	硬质挤压铝材A1 Hard extruded aluminum A1			
	安装面精度要求 (mm) Accuracy requirements of installation surface (mm)	C级<0.05; P级<0.02 C level<0.05 P level<0.02			
	使用环境 Operating environment	0~40°C, 85%RH (无凝结) No condensation			

注1: 使用非上述功率电机时请依据实际参数推算。
Note 1: When using a motor with a power other than the above, please calculate according to the actual parameters.

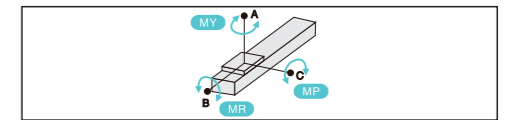
注2: 最高速度因行程和负载而异, 当螺杆细长比大于1:50时, 可能会因螺杆临界速度产生共振和抖动, 应适当下调运行速度, 一般螺杆每增长100mm, 速度应下调10~15%。
Note 2: The maximum speed varies with stroke and load. When the screw slenderness ratio is greater than 1:50, resonance and jitter may occur due to the critical speed of the screw, so the running speed should be reduced appropriately. Generally, the speed should be reduced by 10~15% for every 100mm increase of the screw.

容许负载力矩表 N.m Allowable overhang



水平安装 Horizontal installation				侧面安装 Side mounting				垂直安装 Vertical installation			
导程 Lead	A	B	C	导程 Lead	A	B	C	导程 Lead	A	B	C
5	60kg	2515	242	232	55kg	257	269	2883	15kg	1118	1118
5	80kg	1811	172	164	75kg	178	186	2000	22kg	770	770
5	95kg	1537	138	133	95kg	133	138	1537	27kg	626	626
10	30kg	2727	470	430	35kg	363	395	2368	10kg	1500	1500
10	50kg	1577	266	242	55kg	218	238	1445	14kg	1072	1072
10	75kg	1004	164	150	75kg	150	164	1004	18kg	833	833
20	10kg	2304	1222	1028	12kg	854	1019	2552	4kg	2980	2980
20	22kg	1443	540	451	20kg	500	596	1588	7kg	1700	1700
20	35kg	1005	324	271	35kg	271	324	1005	-	-	-

静态容许负载惯量 Static loading moment



配置	惯量 (N.m)
MY	551
MP	552
MR	485

*力矩表所表示的数据, 代表重心。
The torque value in the chart indicate the center of gravity.

*符合型录规范的正常试用下, 保证寿命为10000公里。
Operation life is 10,000km when the product is using under the specified conditions.

*倒吊使用无法套用标准规范, 如有需求请咨询我司业务。
The standard specification cannot be applied to the use of inverted crane. Please consult our business if necessary.

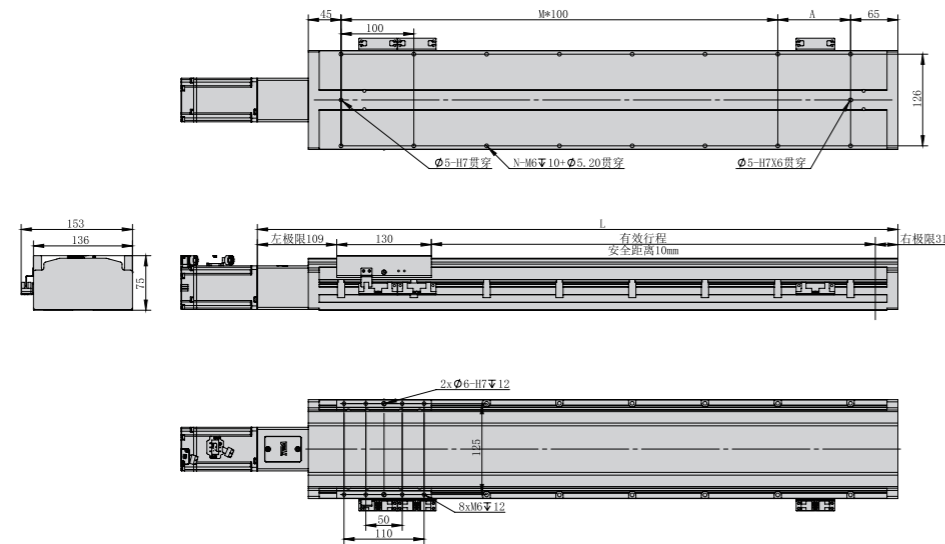
搭配伺服马达一览表 Suitable motor brand

品牌 Brand	马达记号 Mark	刹车有无 Brake	马达容量 Motor capacity	电源电压 AC-Voltage	伺服马达型号 Servo motor model	驱动器型号 Driver Model
三菱 Mitsubishi	M	无刹车(水平式样) No brake (horizontal type)	400	220	HG-KN43J-S100	MR-JE-40A
松下 Panasonic	P	无刹车(水平式样) No brake (horizontal type)	400	220	MHMF042L1U2M	MBDLN25SE
台达 Delta	T	无刹车(水平式样) No brake (horizontal type)	400	220	ECM-B3M-C20604RS1	ASD-B3-0421-L



电机外置直连/电机外置下方
Motor external direct connection/Motor external below

M 电机外置直连 Motor external direct connection



单位:Unit: mm

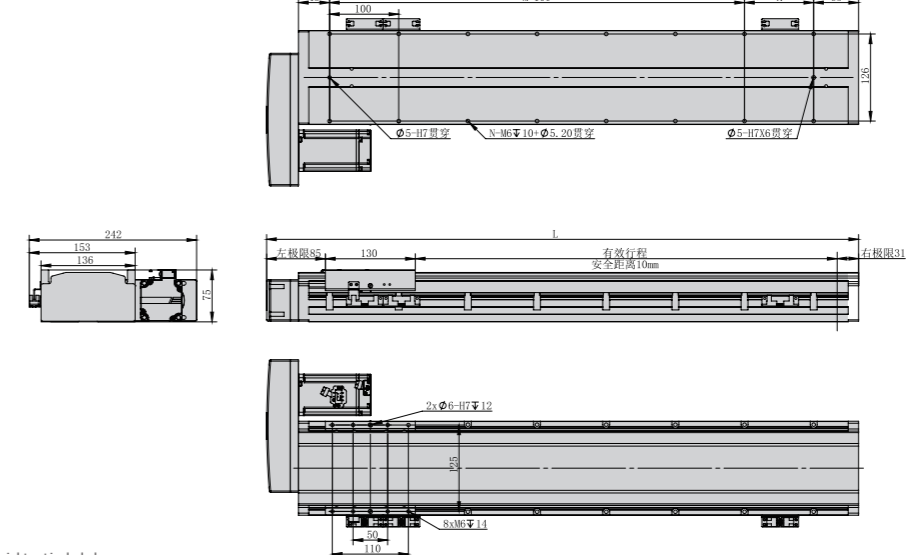
*不含电机重量。*Motor weight not included.

有效行程 Stroke	100	150	200	250	300	350	400	450	500	550	600	650	700	750	800	850	900	950	1000	1050	1100	1150	1200	1250	1300	1350	1400
L	380	430	480	530	580	630	680	730	780	830	880	930	980	1030	1080	1130	1180	1230	1280	1330	1380	1430	1480	1530	1580	1630	1680
A	100	50	100	50	100	50	100	50	100	50	100	50	100	50	100	50	100	50	100	50	100	50	100	50	100	50	100
N	6	8	8	10	10	12	12	14	14	16	16	18	18	20	20	22	22	24	24	26	26	28	28	30	30	32	32
M	1	2	2	3	3	4	4	5	5	6	6	7	7	8	8	9	9	10	10	11	11	12	12	13	13	14	14
KG	5	5.3	5.6	5.9	6.2	6.5	6.8	7.1	7.4	7.7	8	8.3	8.6	8.9	9.2	9.5	9.8	10.1	10.4	10.7	11	11.3	11.6	11.9	12.2	12.5	12.8

如有超长行程及定制需求,请咨询我司业务。If you have extra long trip and custom requirements, please consult our business.

电机外置左侧/电机外置右侧
Motor external left side / Motor external right side

ML 电机外置左侧 Motor external left side



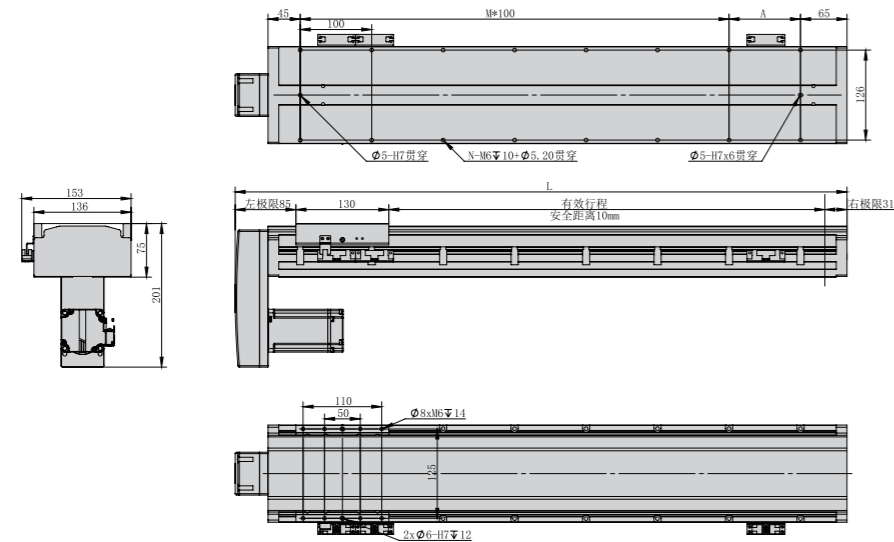
单位:Unit: mm

*不含电机重量。*Motor weight not included.

有效行程 Stroke	100	150	200	250	300	350	400	450	500	550	600	650	700	750	800	850	900	950	1000	1050	1100	1150	1200	1250	1300	1350	1400
L	356	406	456	506	556	606	656	706	756	806	856	906	956	1006	1056	1106	1156	1206	1256	1306	1356	1406	1456	1506	1556	1606	1656
A	100	50	100	50	100	50	100	50	100	50	100	50	100	50	100	50	100	50	100	50	100	50	100	50	100	50	100
N	6	8	8	10	10	12	12	14	14	16	16	18	18	20	20	22	22	24	24	26	26	28	28	30	30	32	32
M	1	2	2	3	3	4	4	5	5	6	6	7	7	8	8	9	9	10	10	11	11	12	12	13	13	14	14
KG	5	5.3	5.6	5.9	6.2	6.5	6.8	7.1	7.4	7.7	8	8.3	8.6	8.9	9.2	9.5	9.8	10.1	10.4	10.7	11	11.3	11.6	11.9	12.2	12.5	12.8

如有超长行程及定制需求,请咨询我司业务。If you have extra long trip and custom requirements, please consult our business.

MP 电机外置下方 Motor external below



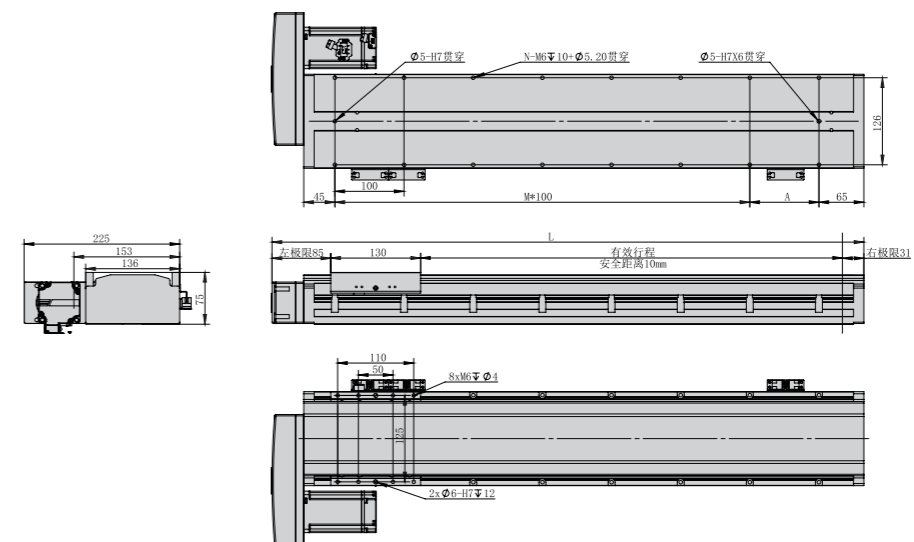
单位:Unit: mm

*不含电机重量。*Motor weight not included.

有效行程 Stroke	100	150	200	250	300	350	400	450	500	550	600	650	700	750	800	850	900	950	1000	1050	1100	1150	1200	1250	1300	1350	1400
L	356	406	456	506	556	606	656	706	756	806	856	906	956	1006	1056	1106	1156	1206	1256	1306	1356	1406	1456	1506	1556	1606	1656
A	100	50	100	50	100	50	100	50	100	50	100	50	100	50	100	50	100	50	100	50	100	50	100	50	100	50	100
N	6	8	8	10	10	12	12	14	14	16	16	18	18	20	20	22	22	24	24	26	26	28	28	30	30	32	32
M	1	2	2	3	3	4	4	5	5	6	6	7	7	8	8	9	9	10	10	11	11	12	12	13	13	14	14
KG	5	5.3	5.6	5.9	6.2	6.5	6.8	7.1	7.4	7.7	8	8.3	8.6	8.9	9.2	9.5	9.8	10.1	10.4	10.7	11	11.3	11.6	11.9	12.2	12.5	12.8

如有超长行程及定制需求,请咨询我司业务。If you have extra long trip and custom requirements, please consult our business.

MR 电机外置右侧 Motor external right side



单位:Unit: mm

*不含电机重量。*Motor weight not included.

有效行程 Stroke	100	150	200	250	300	350	400	450	500	550	600	650	700	750	800	850	900	950	1000	1050	1100	1150	1200	1250	1300	1350	1400
L	356	406	456	506	556	606	656	706	756	806	856	906	956	1006	1056	1106	1156	1206	1256	1306	1356	1406	1456	1506	1556	1606	1656
A	100	50	100	50	100	50	100	50	100	50	100	50	100	50	100	50	100	50	100	50	100	50	100	50	100	50	100
N	6	8	8	10	10	12	12	14	14	16	16	18	18	20	20	22	22	24	24	26	26	28	28	30	30	32	32
M	1	2	2	3	3	4	4	5	5	6	6	7	7	8	8	9	9	10	10	11	11	12	12	13	13	14	14
KG	5	5.3	5.6	5.9	6.2	6.5	6.8	7.1	7.4	7.7	8	8.3	8.6	8.9	9.2	9.5	9.8	10.1	10.4	10.7	11	11.3	11.6	11.9	12.2	12.5	12.8

如有超长行程及定制需求,请咨询我司业务。If you have extra long trip and custom requirements, please consult our business.



此图仅供参考, 出货规格详见尺寸图面
This drawing is for reference only, Please refer to the size drawing for shipment specifications.

最大行程 Max stroke 1800mm

最高速度 Max speed 1250mm/s

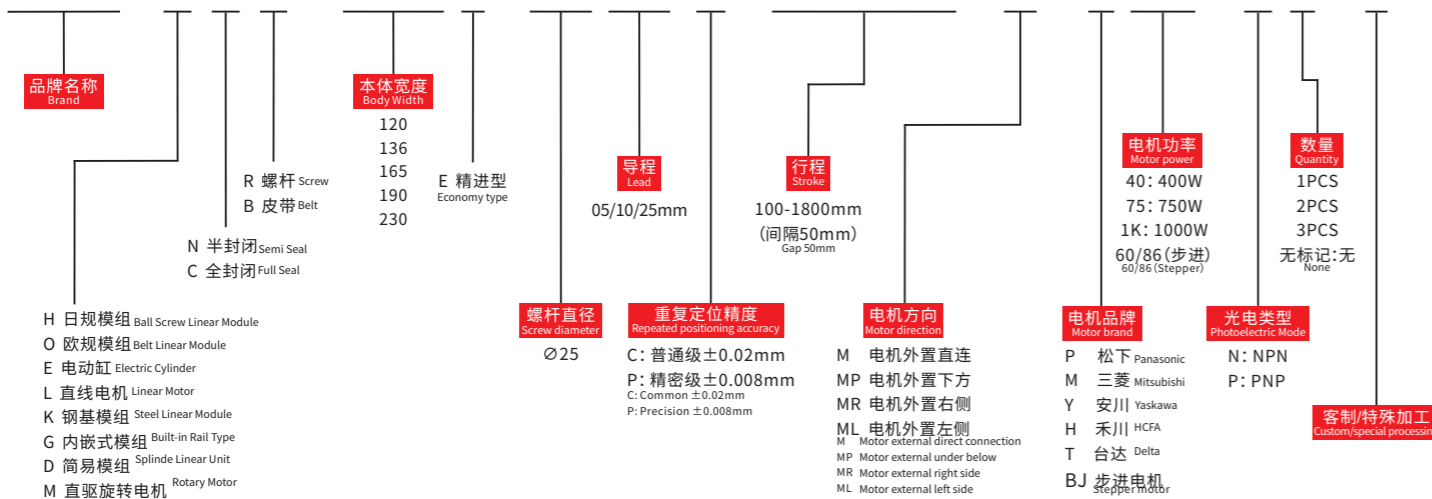
马达容量 Motor output 750W

滚珠螺杆 Ball screw $\varnothing 25$ mm

直线滑轨 Linear guide 20X15.5-2支

型号表达方式 Ordering method

TPA-HNR-165E-2510C-L1800-M-P75-N3-F

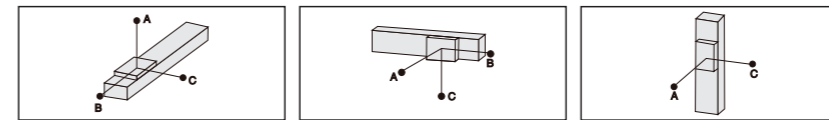


产品性能参数如下 Product performance parameters are as follows

规格 Spec	电机功率 (W) Motor power (W)	750			
	额定扭矩 (N.M) Rated torque (N.M)	2.4			
	重复定位精度 (mm) Repeated positioning accuracy (mm)	± 0.02			
	导程 (mm) Lead (mm)	5	10	25	
	最高速度 (mm/s) Maximum speed (mm/s)	250	500	1250	
	电机额定转速 (RPM) Rated speed of motor (RPM)	3000			
	最大可搬重量 Maximum Payload	水平使用 (kg) Horizontal (kg)	130	110	55
		垂直使用 (kg) Vertical (kg)	70	55	32
	定格推力 (N) Rated thrust (N)	2306	1153	577	
	标准行程 (mm) Stroke pitch (mm)	100~1800mm/50 间隔 50 mm Pitch			
部品 Parts	滚珠螺杆外径 (mm) Ball screw \varnothing (mm)	$\varnothing 25$			
	基座材质 Material of base	硬质挤压铝材A1 Hard extruded aluminum A1			
	安装面精度要求 (mm) Accuracy requirements of installation surface (mm)	C级<0.05; P级<0.02 C level<0.05 P level<0.02			
	使用环境 Operating environment	0~40°C, 85%RH (无凝结) No condensation			

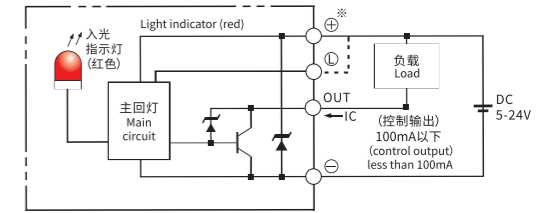
注1: 使用非上述功率电机时请依据实际参数推算。
Note 1: When using a motor with a power other than the above, please calculate according to the actual parameters.
 注2: 最高速度因行程和负载而异, 当螺杆细长比大于1:50时, 可能会因螺杆临界速度产生共振和抖动, 应适当下调运行速度, 一般螺杆每增长100mm, 速度应下调10~15%。
Note 2: The maximum speed varies with stroke and load. When the screw slenderness ratio is greater than 1:50, resonance and jitter may occur due to the critical speed of the screw, so the running speed should be reduced appropriately. Generally, the speed should be reduced by 10~15% for every 100mm increase of the screw.

容许负载力矩表 N.m Allowable overhang



水平安装 Horizontal installation (单位Unit:mm)				侧面安装 Side mounting (单位Unit:mm)				垂直安装 Vertical installation (单位Unit:mm)			
导程 Lead	A	B	C	导程 Lead	A	B	C	导程 Lead	A	B	C
5	70kg	3235	349	408	75kg	377	322	2988	20kg	1368	1368
5	90kg	2482	263	306	95kg	288	246	2333	30kg	911	911
	120kg	1861	187	218	120kg	218	187	1850	50kg	546	546
10	65kg	1911	338	373	60kg	408	368	2092	15kg	1618	1618
	85kg	1445	248	276	80kg	296	266	1554	25kg	970	970
10	120kg	1000	164	182	120kg	182	164	1002	40kg	607	607
	35kg	1666	547	538	30kg	633	644	1961	10kg	1922	1922
25	55kg	1030	331	328	50kg	365	369	1143	14kg	1377	1377
	83kg	654	206	204	83kg	204	206	656	25kg	769	769

感应器连接图<原点及端点> Sensor layout



HNR-E

HNB-E

HFR

HNR

HCR

HNB

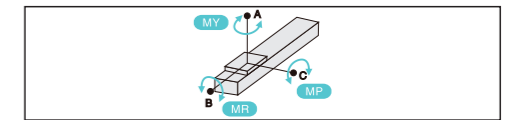
HCB

HNT

XYZ

参考资料 Reference data

静态容许负载惯量 Static loading moment



	MY	MP	MR
1032			
1034			
908			

*力矩表所表示的数据, 代表重心。
The torque value in the chart indicate the center of gravity.
 *符合型录规范的正常试用下, 保证寿命为10000公里。
Operation life is 10,000km when the product is using under the specified conditions.
 *倒吊使用无法套用标准规范, 如有需求请咨询我司业务。
The standard specification cannot be applied to the use of inverted crane. Please consult our business if necessary.

搭配伺服马达一览表 Suitable motor brand

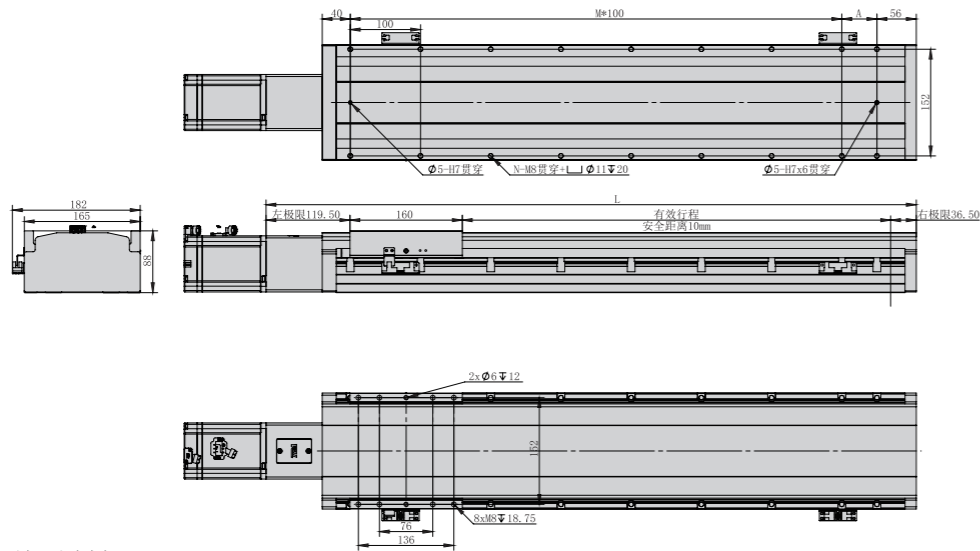
品牌 Brand	马达记号 Mark	刹车有无 Brake	马达容量 Motor capacity	电源电压 AC-Voltage	伺服马达型号 Servo motor model	驱动器型号 Driver Model
三菱 Mitsubishi	M	无刹车(水平式样) No brake (horizontal type)	750	220	HG-KN73J-S100	MR-JE-70A
松下 Panasonic	P	无刹车(水平式样) No brake (horizontal type)	750	220	MHMF082L1U2M	MCDLN35SE
台达 Delta	T	无刹车(水平式样) No brake (horizontal type)	750	220	ECM-B3M-C20807SS1	ASD-B3-0721-L



电机外置直连/电机外置下方
Motor external direct connection/Motor external below

M 电机外置直连 Motor external direct connection

单位:Unit: mm



*不含电机重量。*Motor weight not included.

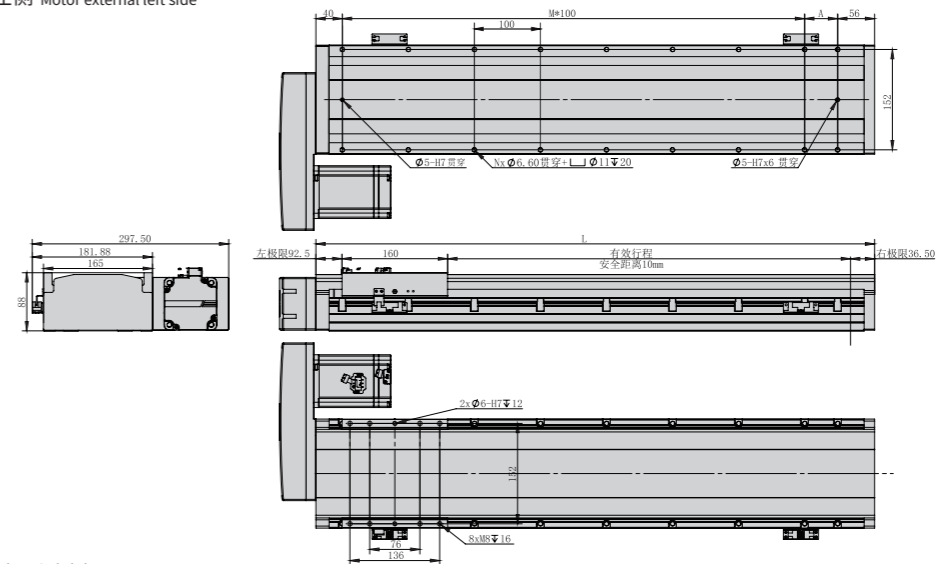
有效行程 Stroke	100	150	200	250	300	350	400	450	500	550	600	650	700	750	800	850	900	950	1000	1050	1100	1150	1200	1250	1300	1350	1400	1450	1500	1550	1600	1650	1700	1750	1800
L	426	476	526	576	626	676	726	776	826	876	926	976	1026	1076	1126	1176	1226	1276	1326	1376	1426	1476	1526	1576	1626	1676	1726	1776	1826	1876	1926	1976	2026	2076	2126
A	50	100	50	100	50	100	50	100	50	100	50	100	50	100	50	100	50	100	50	100	50	100	50	100	50	100	50	100	50	100	50	100	50	100	50
N	8	8	10	10	12	12	14	14	16	16	18	18	20	20	22	22	24	24	26	26	28	28	30	30	32	32	34	34	36	36	38	38	40	40	42
M	2	2	3	3	4	4	5	5	6	6	7	7	8	8	9	9	10	10	11	11	12	12	13	13	14	14	15	15	16	16	17	17	18	18	19
KG	8.5	9	9.5	10	10.5	11	11.5	12	12.5	13	13.5	14	14.5	15	15.5	16	16.5	17	17.5	18	18.5	19	19.5	20	20.5	21	21.5	22	22.5	23	23.5	24	24.5	25	25.5

如有超长行程及定制需求,请咨询我司业务。If you have extra long trip and custom requirements, please consult our business.

电机外置左侧/电机外置右侧
Motor external left side / Motor external right side

ML 电机外置左侧 Motor external left side

单位:Unit: mm



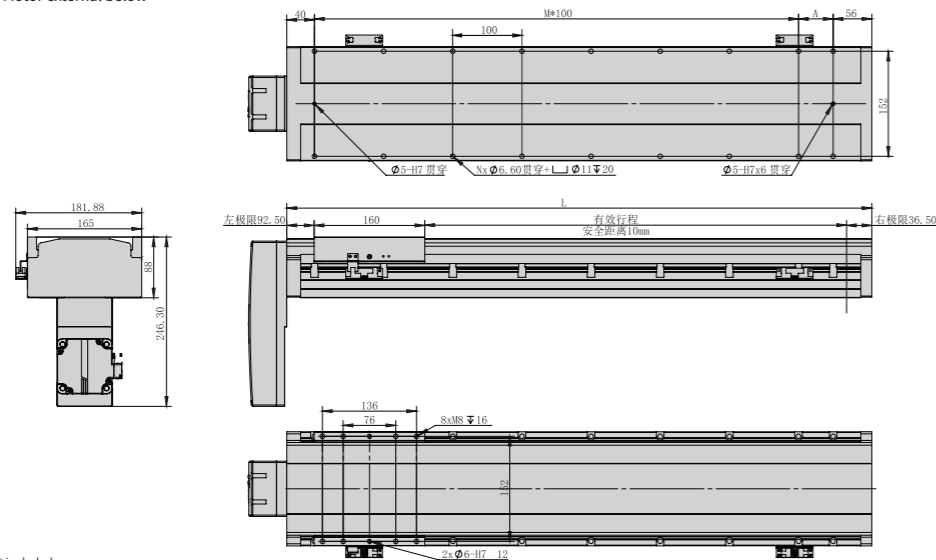
*不含电机重量。*Motor weight not included.

有效行程 Stroke	100	150	200	250	300	350	400	450	500	550	600	650	700	750	800	850	900	950	1000	1050	1100	1150	1200	1250	1300	1350	1400	1450	1500	1550	1600	1650	1700	1750	1800
L	399	449	499	549	599	649	699	749	799	849	899	949	999	1049	1099	1149	1199	1249	1299	1349	1399	1449	1499	1549	1599	1649	1699	1749	1799	1849	1899	1949	1999	2049	2099
A	50	100	50	100	50	100	50	100	50	100	50	100	50	100	50	100	50	100	50	100	50	100	50	100	50	100	50	100	50	100	50	100	50	100	50
N	8	8	10	10	12	12	14	14	16	16	18	18	20	20	22	22	24	24	26	26	28	28	30	30	32	32	34	34	36	36	38	38	40	40	42
M	2	2	3	3	4	4	5	5	6	6	7	7	8	8	9	9	10	10	11	11	12	12	13	13	14	14	15	15	16	16	17	17	18	18	19
KG	8.5	9	9.5	10	10.5	11	11.5	12	12.5	13	13.5	14	14.5	15	15.5	16	16.5	17	17.5	18	18.5	19	19.5	20	20.5	21	21.5	22	22.5	23	23.5	24	24.5	25	25.5

如有超长行程及定制需求,请咨询我司业务。If you have extra long trip and custom requirements, please consult our business.

MP 电机外置下方 Motor external below

单位:Unit: mm



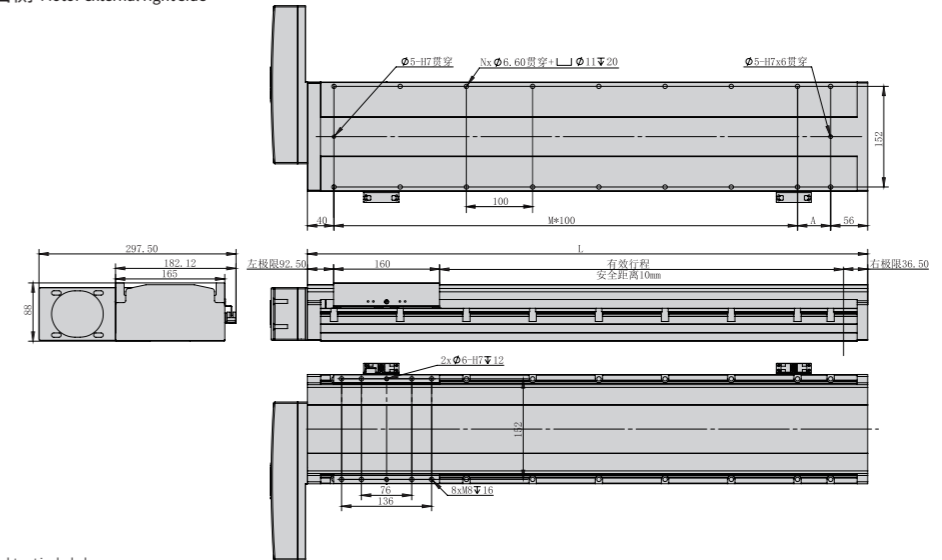
*不含电机重量。*Motor weight not included.

有效行程 Stroke	100	150	200	250	300	350	400	450	500	550	600	650	700	750	800	850	900	950	1000	1050	1100	1150	1200	1250	1300	1350	1400	1450	1500	1550	1600	1650	1700	1750	1800
L	399	449	499	549	599	649	699	749	799	849	899	949	999	1049	1099	1149	1199	1249	1299	1349	1399	1449	1499	1549	1599	1649	1699	1749	1799	1849	1899	1949	1999	2049	2099
A	50	100	50	100	50	100	50	100	50	100	50	100	50	100	50	100	50	100	50	100	50	100	50	100	50	100	50	100	50	100	50	100	50	100	50
N	8	8	10	10	12	12	14	14	16	16	18	18	20	20	22	22	24	24	26	26	28	28	30	30	32	32	34	34	36	36	38	38	40	40	42
M	2	2	3	3	4	4	5	5	6	6	7	7	8	8	9	9	10	10	11	11	12	12	13	13	14	14	15	15	16	16	17	17	18	18	19
KG	8.5	9	9.5	10	10.5	11	11.5	12	12.5	13	13.5	14	14.5	15	15.5	16	16.5	17	17.5	18	18.5	19	19.5	20	20.5	21	21.5	22	22.5	23	23.5	24	24.5	25	25.5

如有超长行程及定制需求,请咨询我司业务。If you have extra long trip and custom requirements, please consult our business.

MR 电机外置右侧 Motor external right side

单位:Unit: mm



*不含电机重量。*Motor weight not included.

有效行程 Stroke	100	150	200	250	300	350	400	450	500	550	600	650	700	750	800	850	900	950	1000	1050	1100	1150	1200	1250	1300	1350	1400	1450	1500	1550	1600	1650	1700	1750	1800
L	399	449	499	549	599	649	699	749	799	849	899	949	999	1049	1099	1149	1199	1249	1299	1349	1399	1449	1499	1549	1599	1649	1699	1749	1799	1849	1899	1949	1999	2049	2099
A	50	100	50	100	50	100	50	100	50	100	50	100	50	100	50	100	50	100	50	100	50	100	50	100	50	100	50	100	50	100	50	100	50	100	50
N	8	8	10	10	12	12	14	14	16	16	18	18	20	20	22	22	24	24	26	26	28	28	30	30	32	32	34	34	36	36	38	38	40	40	42
M	2	2	3	3	4	4	5	5	6	6	7	7	8	8	9	9	10	10	11	11	12	12	13	13	14	14	15	15	16	16	17	17	18	18	19
KG	8.5	9	9.5	10	10.5	11	11.5	12	12.5	13	13.5	14	14.5	15	15.5	16	16.5	17	17.5	18	18.5	19	19.5	20	20.5	21	21.5	22	22.5	23	23.5	24	24.5	25	25.5

如有超长行程及定制需求,请咨询我司业务。If you have extra long trip and custom requirements, please consult our business.

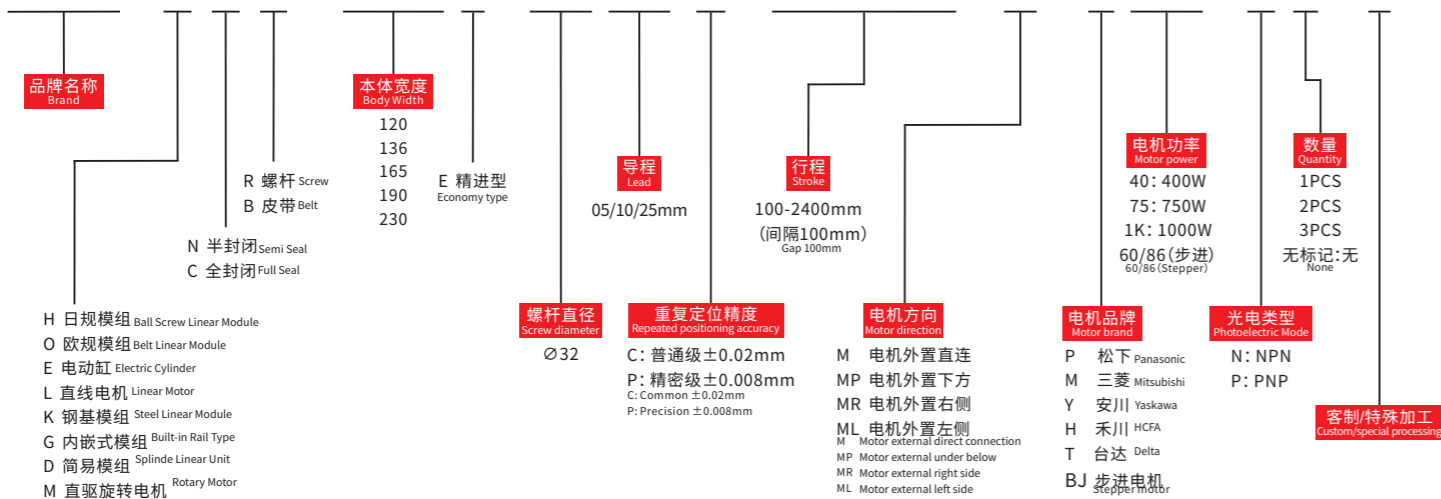


此图仅供参考, 出货规格详见尺寸图面
This drawing is for reference only, Please refer to the size drawing for shipment specifications.

- 最大行程 Max stroke: 2400mm
- 最高速度 Max speed: 1600mm/s
- 马达容量 Motor output: 1000W
- 滚珠螺杆 Ball screw: Ø32mm
- 直线滑轨 Linear guide: 25X22-2支

型号表达方式 Ordering method

TPA-HNR-190E-3210C-L2400-M-P1K-N3-F



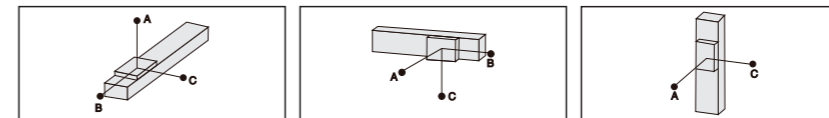
产品性能参数如下 Product performance parameters are as follows

规格 Spec	电机功率 (W) Motor power (W)	1000				
	额定扭矩 (N.M) Rated torque (N.M)	3.2				
	重复定位精度 (mm) Repeated positioning accuracy (mm)	±0.02				
	导程 (mm) Lead (mm)	5	10	20	32	
	最高速度 (mm/s) Maximum speed (mm/s)	250	500	1000	1600	
	电机额定转速 (RPM) Rated speed of motor (RPM)	3000				
	最大可搬重量 Maximum Payload	水平使用 (kg) Horizontal (kg)	180	170	105	66
		垂直使用 (kg) Vertical (kg)	100	80	40	25
	定格推力 (N) Rated thrust (N)	2306	1153	577	461	
	标准行程 (mm) Stroke pitch (mm)	100~2400mm/100mm间隔 100 mm Pitch				
部品 Parts	滚珠螺杆外径 (mm) Ball screw Ø (mm)	Ø32				
	基座材质 Material of base	硬质挤压铝材A1 Hard extruded aluminum A1				
	安装面精度要求 (mm) Accuracy requirements of installation surface (mm)	C级<0.05; P级<0.02 C level<0.05 P level<0.02				
	使用环境 Operating environment	0~40°C, 85%RH (无凝结) No condensation				

注1: 使用非上述功率电机时请依据实际参数推算。
Note 1: When using a motor with a power other than the above, please calculate according to the actual parameters.

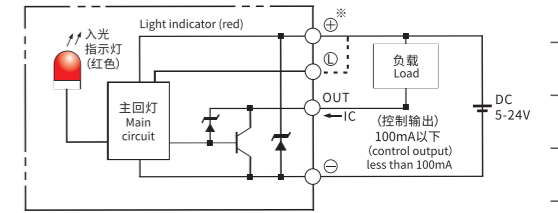
注2: 最高速度因行程和负载而异, 当螺杆细长比大于1.50时, 可能会因螺杆临界速度产生共振和抖动, 应适当下调运行速度, 一般螺杆每增长100mm, 速度应下调10~15%。
Note 2: The maximum speed varies with stroke and load. When the screw slenderness ratio is greater than 1.50, resonance and jitter may occur due to the critical speed of the screw, so the running speed should be reduced appropriately. Generally, the speed should be reduced by 10~15% for every 100mm increase of the screw.

容许负载力矩表 N.m Allowable overhang



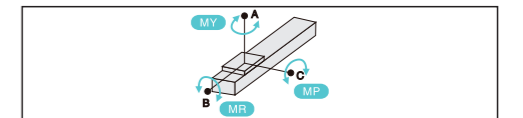
水平安装 Horizontal installation (单位Unit:mm)				侧面安装 Side mounting (单位Unit:mm)				垂直安装 Vertical installation (单位Unit:mm)				
导程 Lead	A	B	C	导程 Lead	A	B	C	导程 Lead	A	B	C	
5	100kg	5000	633	57	110kg	500	569	4500	5	30kg	2355	2355
	125kg	3880	491	431	130kg	412	469	3711		40kg	1768	1768
	150kg	3357	396	347	150kg	347	396	3357		55kg	1288	1288
10	100kg	3220	563	474	110kg	427	503	2900	10	25kg	2505	2505
	125kg	3554	434	367	130kg	351	414	2444		35kg	1795	1795
	150kg	2113	349	295	150kg	295	349	2113		45kg	1396	1396
20	65kg	1522	614	458	70kg	420	564	1404	20	15kg	2711	2711
	85kg	1136	451	336	90kg	315	420	1066		20kg	2033	2033
	105kg	893	350	262	105kg	262	350	893		-	-	-
32	18kg	2445	1616	1052	15kg	1272	1955	2948	32	7kg	3511	3511
	30kg	1436	938	613	24kg	778	1190	1813		12kg	2055	2055
	43kg	978	630	412	43kg	412	630	978		-	-	-

感应器连接图<原点及端点> Sensor layout



- HNR-E
- HNB-E
- HFR
- HNR
- HCR
- HNB
- HCB
- HNT
- XYZ
- 参考资料 Reference data

静态容许负载惯量 Static loading moment



	(单位Unit:N.m)
MY	2052
MP	2052
MR	1810

*力矩表所表示的数据, 代表重心。
The torque value in the chart indicate the center of gravity.

*符合型录规范的正常试用下, 保证寿命为10000公里。
Operation life is 10,000km when the product is using under the specified conditions.

*倒吊使用无法套用标准规范, 如有需求请咨询我司业务。
The standard specification cannot be applied to the use of inverted crane. Please consult our business if necessary.

搭配伺服马达一览表 Suitable motor brand

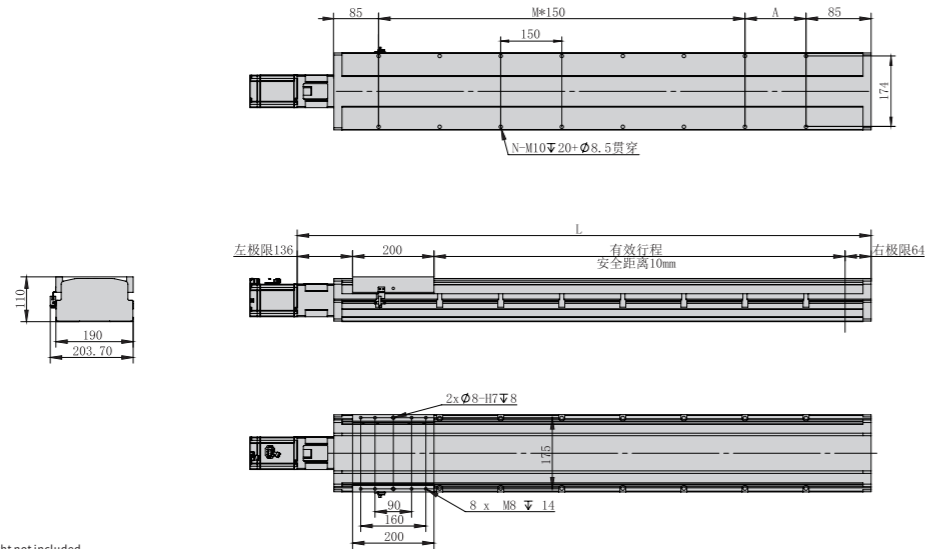
品牌 Brand	马达记号 Mark	刹车有无 Brake	马达容量 Motor capacity	电源电压 AC-Voltage	伺服马达型号 Servo motor model	驱动器型号 Driver Model
三菱 Mitsubishi	M	无刹车(水平式样) No brake (horizontal type)	750	220	HG-KN73J-S100	MR-JE-70A
松下 Panasonic	P	无刹车(水平式样) No brake (horizontal type)	750	220	MHMF082L1U2M	MCDLN35SE
台达 Delta	T	无刹车(水平式样) No brake (horizontal type)	750	220	ECM-B3M-C20807SS1	ASD-B3-0721-L



电机外置直连/电机外置下方
Motor external direct connection/Motor external below

M 电机外置直连 Motor external direct connection

单位:Unit: mm



*不含电机重量。*Motor weight not included.

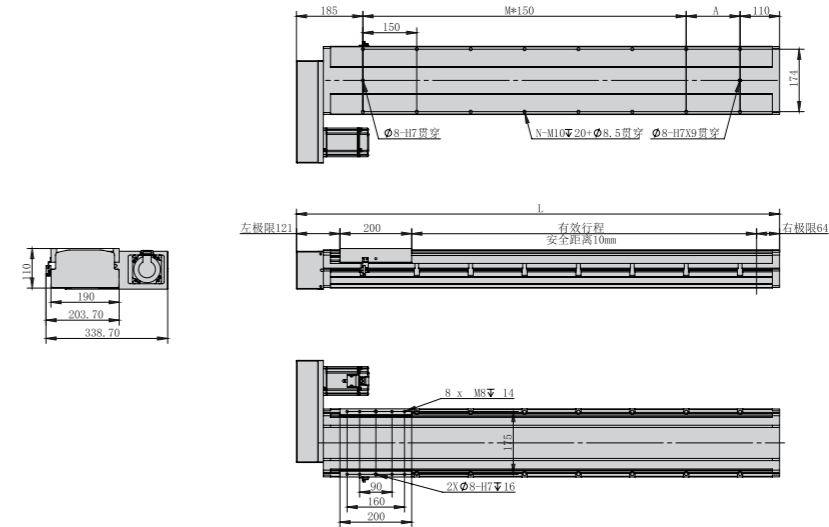
有效行程 Stroke	100	200	300	400	500	600	700	800	900	1000	1100	1200	1300	1400	1500	1600	1700	1800	1900	2000	2100	2200	2300	2400
L	541	641	741	841	941	1041	1141	1241	1341	1441	1541	1641	1741	1841	1941	2041	2141	2241	2341	2441	2541	2641	2741	2841
A	50	100	150	50	100	150	50	100	150	50	100	150	50	100	150	50	100	150	50	100	150	50	100	150
N	4	6	8	10	12	14	16	18	20	22	24	26	28	30	32	34	36	38	40	42	44	46	48	50
M	0	1	2	3	4	5	6	7	8	9	10	11	12	13	14	15	16	17	18	19	20	21	22	23
KG	14	16	18	20	22	24	26	28	30	32	34	36	38	40	42	44	46	48	50	52	54	56	58	60

如有超长行程及定制需求, 请咨询我司业务。If you have extra long trip and custom requirements, please consult our business.

电机外置左侧/电机外置右侧
Motor external left side / Motor external right side

ML 电机外置左侧 Motor external left side

单位:Unit: mm



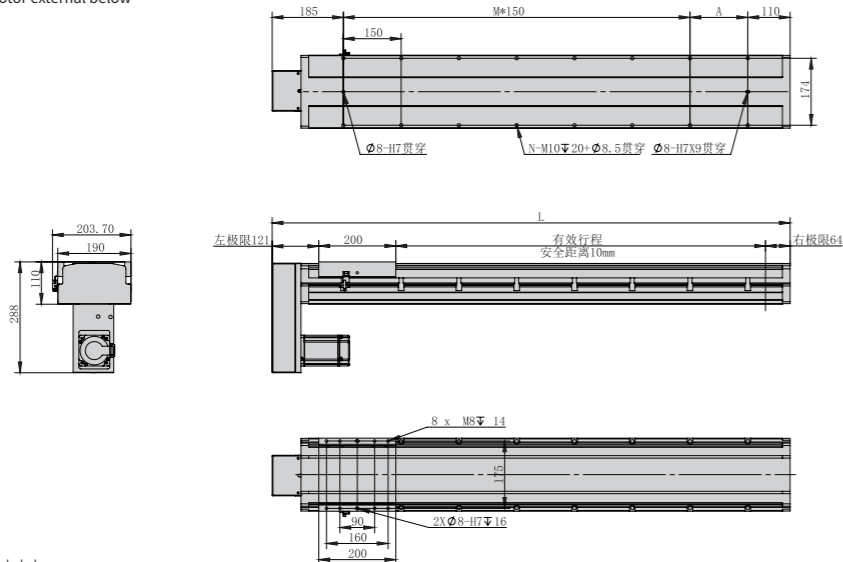
*不含电机重量。*Motor weight not included.

有效行程 Stroke	100	200	300	400	500	600	700	800	900	1000	1100	1200	1300	1400	1500	1600	1700	1800	1900	2000	2100	2200	2300	2400
L	495	595	695	795	895	995	1095	1195	1295	1395	1495	1595	1695	1795	1895	1995	2095	2195	2295	2395	2495	2595	2695	2795
A	50	100	150	50	100	150	50	100	150	50	100	150	50	100	150	50	100	150	50	100	150	50	100	150
N	4	6	8	10	12	14	16	18	20	22	24	26	28	30	32	34	36	38	40	42	44	46	48	50
M	0	1	2	3	4	5	6	7	8	9	10	11	12	13	14	15	16	17	18	19	20	21	22	23
KG	14.5	16.5	18.5	20.5	22.5	24.5	26.5	28.5	30.5	32.5	34.5	36.5	38.5	40.5	42.5	44.5	46.5	48.5	50.5	52.5	54.5	56.5	58.5	60.5

如有超长行程及定制需求, 请咨询我司业务。If you have extra long trip and custom requirements, please consult our business.

MP 电机外置下方 Motor external below

单位:Unit: mm



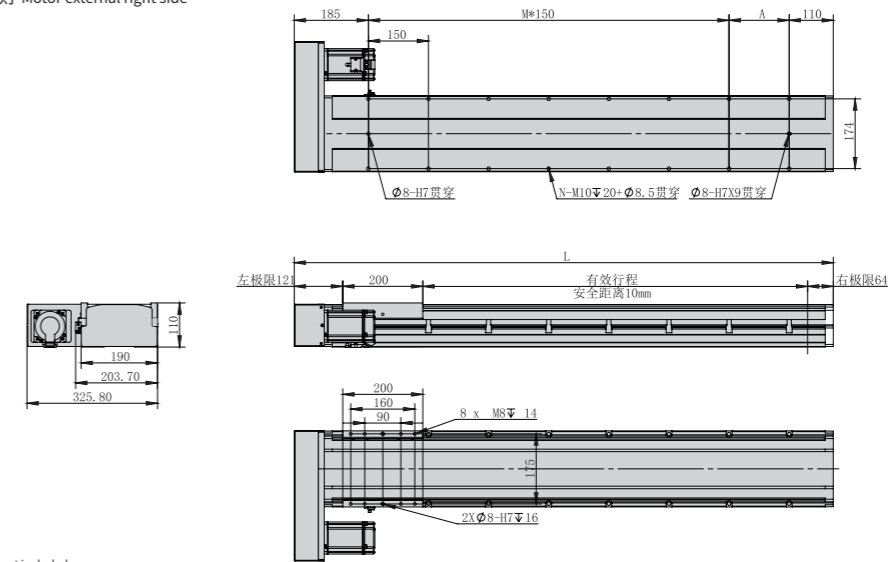
*不含电机重量。*Motor weight not included.

有效行程 Stroke	100	200	300	400	500	600	700	800	900	1000	1100	1200	1300	1400	1500	1600	1700	1800	1900	2000	2100	2200	2300	2400
L	495	595	695	795	895	995	1095	1195	1295	1395	1495	1595	1695	1795	1895	1995	2095	2195	2295	2395	2495	2595	2695	2795
A	50	100	150	50	100	150	50	100	150	50	100	150	50	100	150	50	100	150	50	100	150	50	100	150
N	4	6	8	10	12	14	16	18	20	22	24	26	28	30	32	34	36	38	40	42	44	46	48	50
M	0	1	2	3	4	5	6	7	8	9	10	11	12	13	14	15	16	17	18	19	20	21	22	23
KG	14.5	16.5	18.5	20.5	22.5	24.5	26.5	28.5	30.5	32.5	34.5	36.5	38.5	40.5	42.5	44.5	46.5	48.5	50.5	52.5	54.5	56.5	58.5	60.5

如有超长行程及定制需求, 请咨询我司业务。If you have extra long trip and custom requirements, please consult our business.

MR 电机外置右侧 Motor external right side

单位:Unit: mm



*不含电机重量。*Motor weight not included.

有效行程 Stroke	100	200	300	400	500	600	700	800	900	1000	1100	1200	1300	1400	1500	1600	1700	1800	1900	2000	2100	2200	2300	2400
L	495	595	695	795	895	995	1095	1195	1295	1395	1495	1595	1695	1795	1895	1995	2095	2195	2295	2395	2495	2595	2695	2795
A	50	100	150	50	100	150	50	100	150	50	100	150	50	100	150	50	100	150	50	100	150	50	100	150
N	4	6	8	10	12	14	16	18	20	22	24	26	28	30	32	34	36	38	40	42	44	46	48	50
M	0	1	2	3	4	5	6	7	8	9	10	11	12	13	14	15	16	17	18	19	20	21	22	23
KG	14.5	16.5	18.5	20.5	22.5	24.5	26.5	28.5	30.5	32.5	34.5	36.5	38.5	40.5	42.5	44.5	46.5	48.5	50.5	52.5	54.5	56.5	58.5	60.5

如有超长行程及定制需求, 请咨询我司业务。If you have extra long trip and custom requirements, please consult our business.

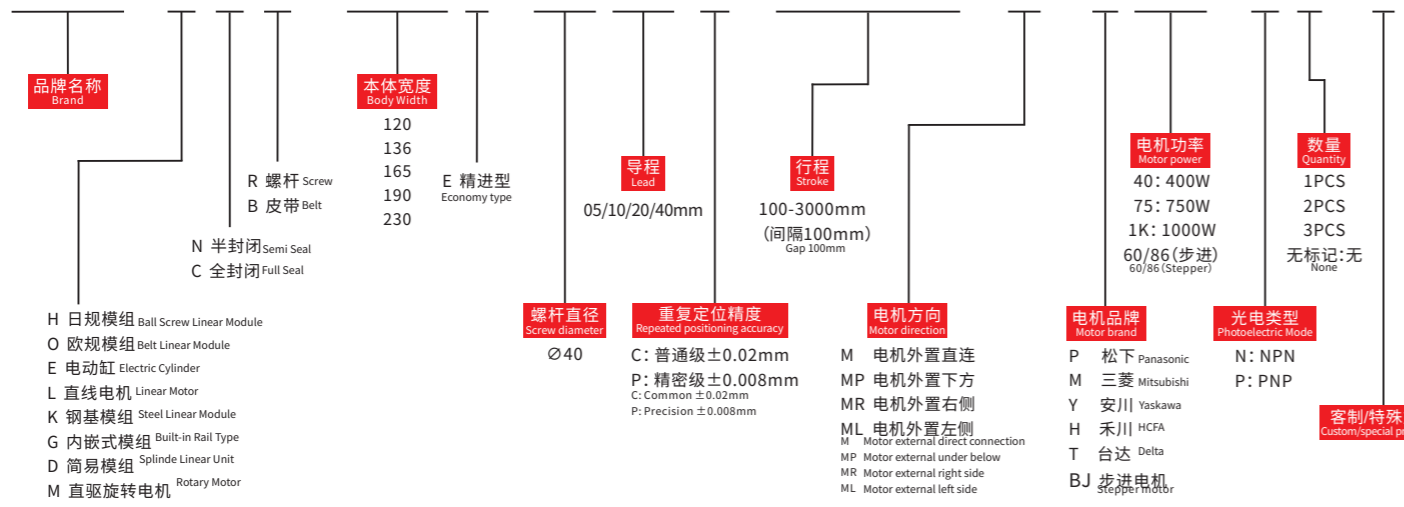


此图仅供参考, 出货规格详见尺寸图面
This drawing is for reference only, Please refer to the size drawing for shipment specifications.

- 最大行程 Max stroke: 3000mm
- 最高速度 Max speed: 2000mm/s
- 马达容量 Motor output: 1000W
- 滚珠螺杆 Ball screw: Ø40mm
- 直线滑轨 Linear guide: 25X22-2支

型号表达方式 Ordering method

TPA-HNR-230E-4010C-L3000-M-P1K-N3-F



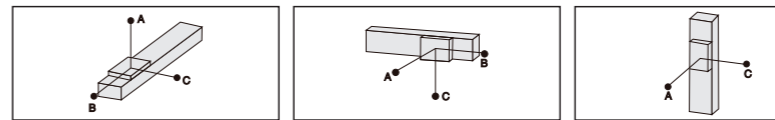
产品性能参数如下 Product performance parameters are as follows

规格 Spec	电机功率 (W) Motor power (W)	1000			
	额定扭矩 (N.M) Rated torque (N.M)	3.2			
	重复定位精度 (mm) Repeated positioning accuracy (mm)	±0.02			
	导程 (mm) Lead (mm)	5	10	20	40
	最高速度 (mm/s) Maximum speed (mm/s)	250	500	1000	2000
	电机额定转速 (RPM) Rated speed of motor (RPM)	3000			
最大可搬重量 Maximum Payload	水平使用 (kg) Horizontal (kg)	230	200	125	78
	垂直使用 (kg) Vertical (kg)	115	95	48	30
定格推力 (N) Rated thrust (N)	3195	1598	499	1598	
标准行程 (mm) Stroke pitch (mm)	100~3000mm/100mm间隔 100 mm Pitch				
部品 Parts	滚珠螺杆外径 (mm) Ball screw Ø (mm)	Ø40			
	基座材质 Material of base	硬质挤压铝材A1 Hard extruded aluminum A1			
	安装面精度要求 (mm) Accuracy requirements of installation surface (mm)	C级<0.05; P级<0.02 C level<0.05 P level<0.02			
	使用环境 Operating environment	0~40°C, 85%RH (无凝结) No condensation			

注1: 使用非上述功率电机时请依据实际参数推算。
Note 1: When using a motor with a power other than the above, please calculate according to the actual parameters.

注2: 最高速度因行程和负载而异, 当螺杆细长比大于1:50时, 可能会因螺杆临界速度产生共振和抖动, 应适当下调运行速度, 一般螺杆每增长100mm, 速度应下调10~15%。
Note 2: The maximum speed varies with stroke and load. When the screw slenderness ratio is greater than 1:50, resonance and jitter may occur due to the critical speed of the screw, so the running speed should be reduced appropriately. Generally, the speed should be reduced by 10~15% for every 100mm increase of the screw.

容许负载力矩表 N.m Allowable overhang

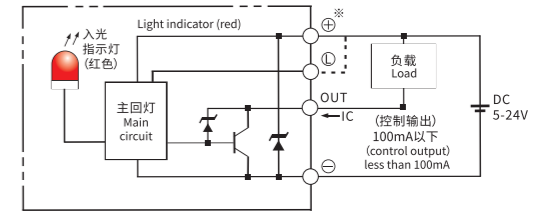


水平安装 Horizontal installation (单位Unit:mm)				侧面安装 Side mounting (单位Unit:mm)				垂直安装 Vertical installation (单位Unit:mm)			
导程 Lead	A	B	C	导程 Lead	A	B	C	导程 Lead	A	B	C
5	100kg	1367	542	408	150kg	1368	541	410	64kg	980	980
10	180kg	1079	293	227	180kg	1080	293	229	80kg	670	670
20	200kg	906	102	82	200kg	906	101	84	115kg	222	222
40	130kg	1496	772	605	130kg	1495	770	605	56kg	1811	1811
80	150kg	1237	513	403	150kg	1236	513	403	70kg	1153	1153
160	180kg	1020	248	190	180kg	1021	245	190	84kg	714	714
320	90kg	1450	920	768	90kg	1451	922	766	35kg	1270	1270
640	100kg	1217	573	453	100kg	1215	573	456	40kg	877	877
1280	125kg	937	395	307	125kg	937	395	307	48kg	754	754
2560	45kg	1010	602	482	45kg	1009	605	484	20kg	1170	1175
5120	60kg	835	395	223	60kg	836	395	225	25kg	890	891
10240	78kg	524	243	192	78kg	527	246	191	30kg	531	533

搭配伺服马达一览表 Suitable motor brand

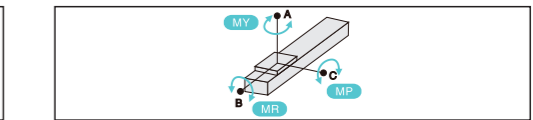
品牌 Brand	马达记号 Mark	刹车有无 Brake	马达容量 Motor capacity	电源电压 AC-Voltage	伺服马达型号 Servo motor model	驱动器型号 Driver Model
三菱 Mitsubishi	M	无刹车(水平式样) No brake (horizontal type)	750	220	HG-KN73J-S100	MR-JE-70A
松下 Panasonic	P	无刹车(水平式样) No brake (horizontal type)	750	220	MHMF082L1U2M	MCDLN35SE
台达 Delta	T	无刹车(水平式样) No brake (horizontal type)	750	220	ECM-B3M-C20807SS1	ASD-B3-0721-L

感应器连接图<原点及端点> Sensor layout



HNR-E
HNB-E
HFR
HNR
HCR
HNB
HCB
HNT
XYZ
参考资料 Reference data

静态容许负载惯量 Static loading moment



点 Point	惯量 Inertia (单位Unit:N.m)
MY	3223
MP	3223
MR	2843

*力矩表所表示的数据, 代表重心。
The torque value in the chart indicate the center of gravity.

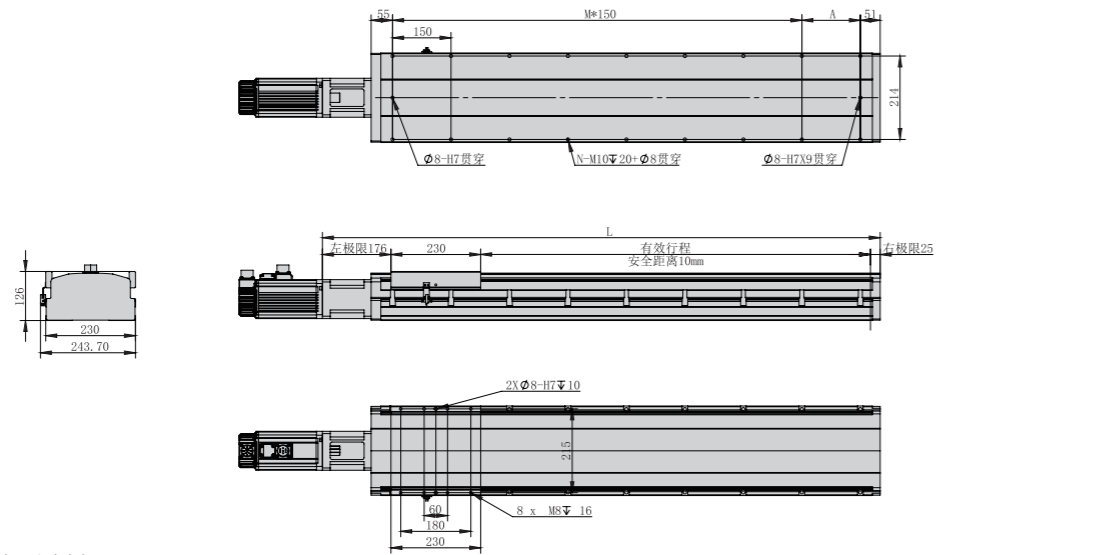
*符合型录规范的正常试用下, 保证寿命为10000公里。
Operation life is 10,000km when the product is using under the specified conditions.

*倒吊使用无法套用标准规范, 如有需求请咨询我司业务。
The standard specification cannot be applied to the use of inverted crane. Please consult our business if necessary.



电机外置直连/电机外置下方
Motor external direct connection/Motor external below

M 电机外置直连 Motor external direct connection



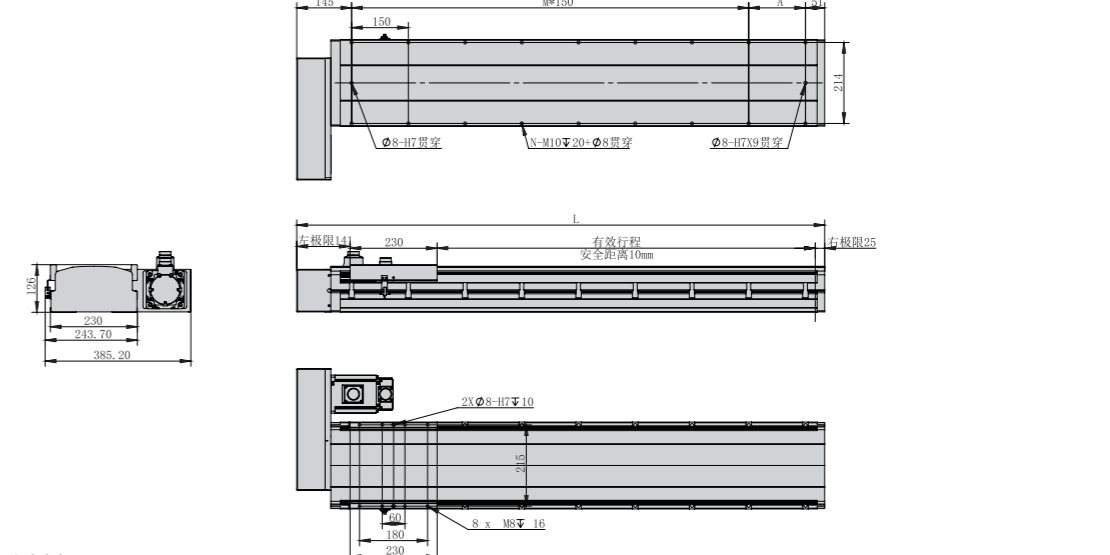
*不含电机重量。*Motor weight not included.

有效行程 Stroke	100	200	300	400	500	600	700	800	900	1000	1100	1200	1300	1400	1500	1600	1700	1800	1900	2000	2100	2200	2300	2400	2500	2600	2700	2800	2900	3000
L	541	641	741	841	941	1041	1141	1241	1341	1441	1541	1641	1741	1841	1941	2041	2141	2241	2341	2441	2541	2641	2741	2841	2941	3041	3141	3241	3341	3441
A	150	100	50	150	100	50	150	100	50	150	100	50	150	100	50	150	100	50	150	100	50	150	100	50	150	100	50	150	100	50
N	6	8	10	12	14	16	18	20	22	24	26	28	30	32	34	36	38	40	42	44	46	48	50	52	54	56	58	60	62	64
M	1	2	3	4	5	6	7	8	9	10	11	12	13	14	15	16	17	18	19	20	21	22	23	24	25	26	27	28	29	30
KG	25.5	28.5	31.5	34.5	37.5	40.5	43.5	46.5	49.5	52.5	55.5	58.5	61.5	64.5	67.5	70.5	73.5	76.5	79.5	82.5	85.5	88.5	91.5	94.5	97.5	100.5	103.5	106.5	109.5	112.5

如有超长行程及定制需求,请咨询我司业务。If you have extra long trip and custom requirements, please consult our business.

电机外置左侧/电机外置右侧
Motor external left side / Motor external right side

ML 电机外置左侧 Motor external left side

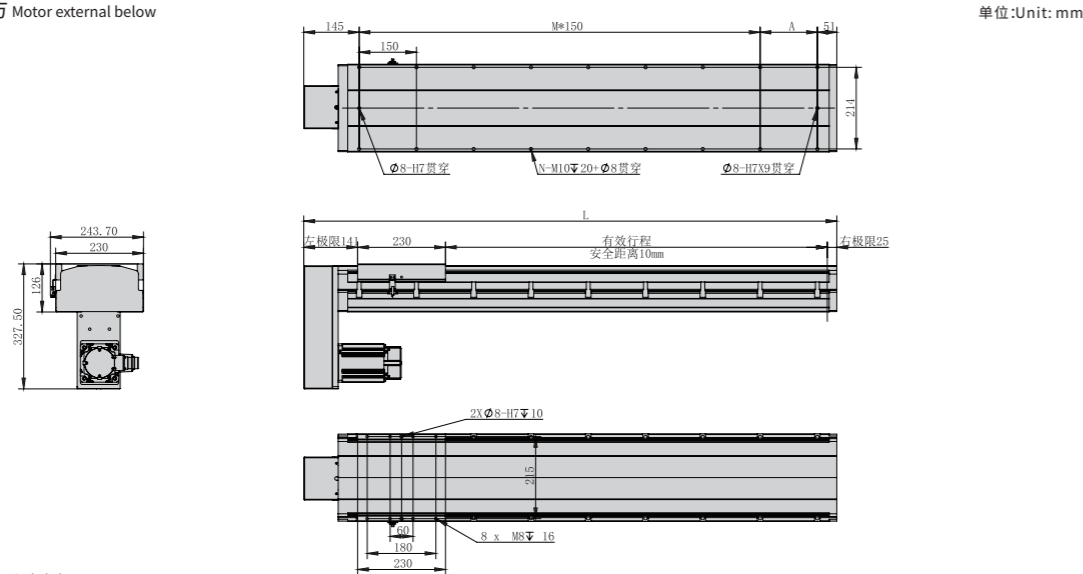


*不含电机重量。*Motor weight not included.

有效行程 Stroke	100	200	300	400	500	600	700	800	900	1000	1100	1200	1300	1400	1500	1600	1700	1800	1900	2000	2100	2200	2300	2400	2500	2600	2700	2800	2900	3000
L	506	606	706	806	906	1006	1106	1206	1306	1406	1506	1606	1706	1806	1906	2006	2106	2206	2306	2406	2506	2606	2706	2806	2906	3006	3106	3206	3306	3406
A	150	100	50	150	100	50	150	100	50	150	100	50	150	100	50	150	100	50	150	100	50	150	100	50	150	100	50	150	100	50
N	6	8	10	12	14	16	18	20	22	24	26	28	30	32	34	36	38	40	42	44	46	48	50	52	54	56	58	60	62	64
M	1	2	3	4	5	6	7	8	9	10	11	12	13	14	15	16	17	18	19	20	21	22	23	24	25	26	27	28	29	30
KG	26	29	32	35	38	41	44	47	50	53	56	59	62	65	68	71	74	77	80	83	86	89	92	95	98	101	104	107	110	113

如有超长行程及定制需求,请咨询我司业务。If you have extra long trip and custom requirements, please consult our business.

MP 电机外置下方 Motor external below

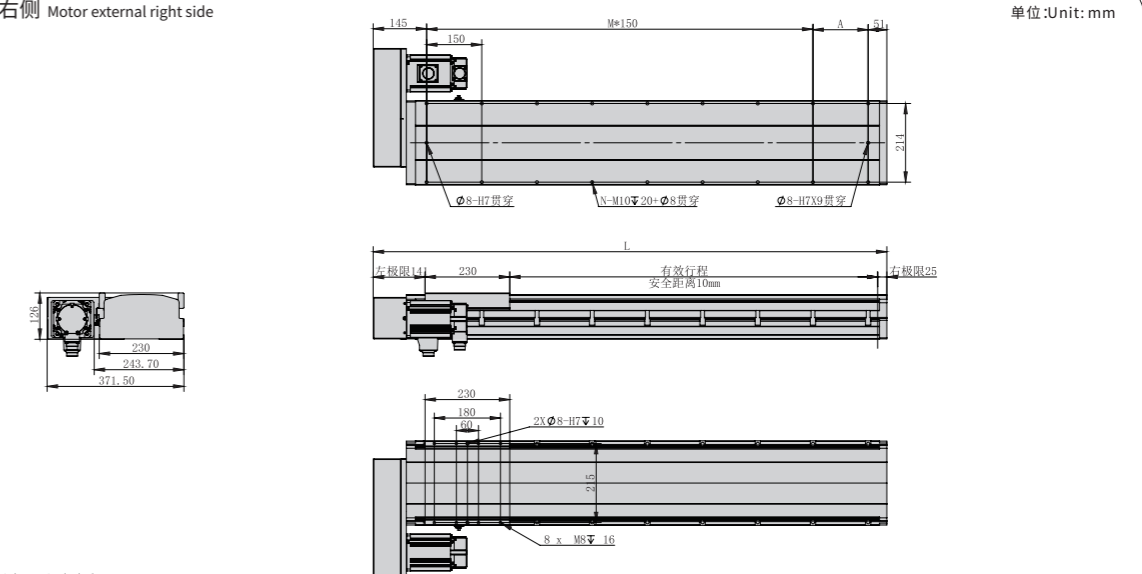


*不含电机重量。*Motor weight not included.

有效行程 Stroke	100	200	300	400	500	600	700	800	900	1000	1100	1200	1300	1400	1500	1600	1700	1800	1900	2000	2100	2200	2300	2400	2500	2600	2700	2800	2900	3000
L	506	606	706	806	906	1006	1106	1206	1306	1406	1506	1606	1706	1806	1906	2006	2106	2206	2306	2406	2506	2606	2706	2806	2906	3006	3106	3206	3306	3406
A	150	100	50	150	100	50	150	100	50	150	100	50	150	100	50	150	100	50	150	100	50	150	100	50	150	100	50	150	100	50
N	6	8	10	12	14	16	18	20	22	24	26	28	30	32	34	36	38	40	42	44	46	48	50	52	54	56	58	60	62	64
M	1	2	3	4	5	6	7	8	9	10	11	12	13	14	15	16	17	18	19	20	21	22	23	24	25	26	27	28	29	30
KG	26	29	32	35	38	41	44	47	50	53	56	59	62	65	68	71	74	77	80	83	86	89	92	95	98	101	104	107	110	113

如有超长行程及定制需求,请咨询我司业务。If you have extra long trip and custom requirements, please consult our business.

MR 电机外置右侧 Motor external right side



*不含电机重量。*Motor weight not included.

有效行程 Stroke	100	200	300	400	500	600	700	800	900	1000	1100	1200	1300	1400	1500	1600	1700	1800	1900	2000	2100	2200	2300	2400	2500	2600	2700	2800	2900	3000
L	506	606	706	806	906	1006	1106	1206	1306	1406	1506	1606	1706	1806	1906	2006	2106	2206	2306	2406	2506	2606	2706	2806	2906	3006	3106	3206	3306	3406
A	150	100	50	150	100	50	150	100	50	150	100	50	150	100	50	150	100	50	150	100	50	150	100	50	150	100	50	150	100	50
N	6	8	10	12	14	16	18	20	22	24	26	28	30	32	34	36	38	40	42	44	46	48	50	52	54	56	58	60	62	64
M	1	2	3	4	5	6	7	8	9	10	11	12	13	14	15	16	17	18	19	20	21	22	23	24	25	26	27	28	29	30
KG	26	29	32	35	38	41	44	47	50	53	56	59	62	65	68	71	74	77	80	83	86	89	92	95	98	101	104	107	110	113

如有超长行程及定制需求,请咨询我司业务。If you have extra long trip and custom requirements, please consult our business.



重复精度
Repeat Accuracy
±0.02 mm

此图仅供参考, 出货规格详见尺寸图面
This drawing is for reference only, Please refer to the size drawing for shipment specifications.

最大行程
Max stroke **3050mm**

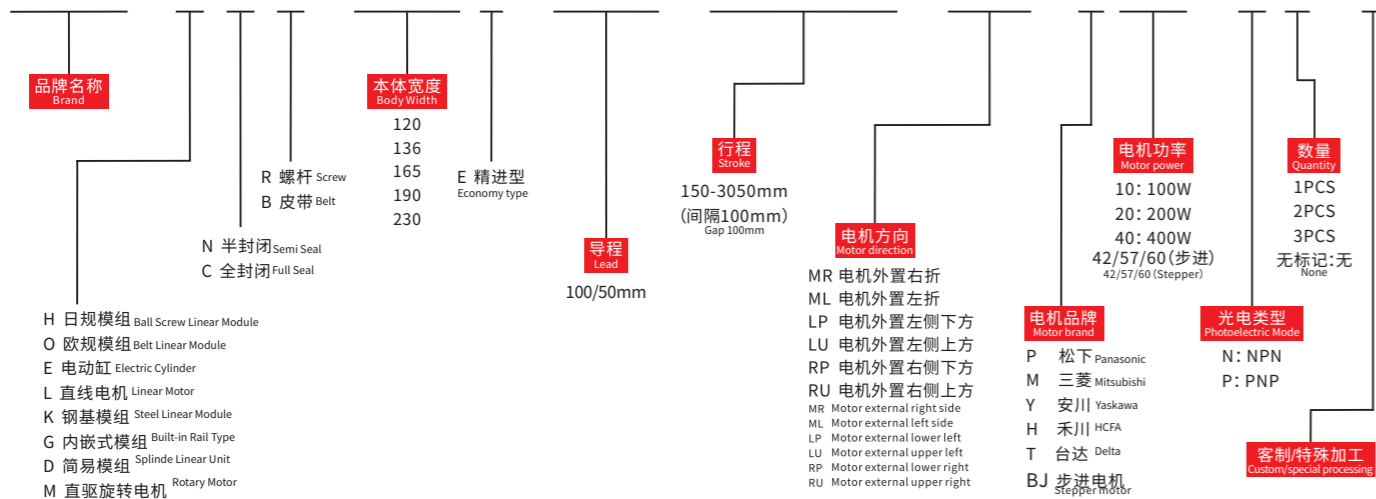
最高速度
Max speed **5000mm/s**

马达容量
Motor output **400W**

直线滑轨
Linear guide **15X12.5-2支**

型号表达方式 Ordering method

TPA-HNB-120E-100-L3050-MR-P40-N3-F



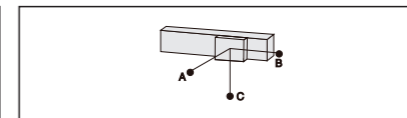
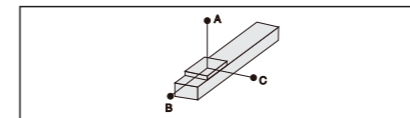
产品性能参数如下 Product performance parameters are as follows

电机功率 (W) Motor power (W)	400	
重复定位精度 (mm) Repeated positioning accuracy (mm)	±0.04	
减速比 (mm) Reduction ratio	1:1	1:2
规格 Spec	导程 (mm) Lead (mm)	100 50
最高速度 (mm/s) Maximum speed (mm/s)	5000	
电机额定转速 (RPM) Rated speed of motor (RPM)	3000	
最大可搬重量 Maximum Payload	14	28
标准行程 (mm) Stroke pitch (mm)	150~3050mm/100 间隔100 mm Pitch	
部品 Parts	基座材质 Material of base	硬质挤压铝材A1 Hard extruded aluminum A1
使用环境 Operating environment	0~40°C, 85%RH (无凝结) No condensation	

注1: 使用非上述功率电机时请依据实际参数推算。
Note 1: When using a motor with a power other than the above, please calculate according to the actual parameters.

注2: 最高速度因行程和负载而异, 当螺杆菌细长比大于1:50时, 可能会因螺杆菌临界速度产生共振和抖动, 应适当下调运行速度, 一般螺杆菌每增长100mm, 速度应下调10~15%。
Note 2: The maximum speed varies with stroke and load. When the screw slenderness ratio is greater than 1:50, resonance and jitter may occur due to the critical speed of the screw, so the running speed should be reduced appropriately. Generally, the speed should be reduced by 10~15% for every 100mm increase of the screw.

容许负载力矩表 N.m Allowable overhang

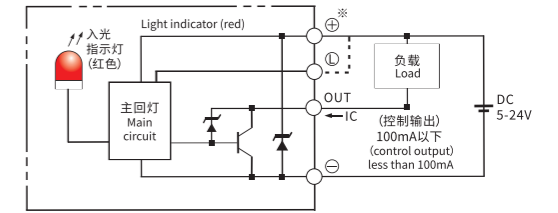


水平安装 Horizontal installation (单位Unit:mm)				侧面安装 Side mounting (单位Unit:mm)			
负载 Load	A	B	C	负载 Load	A	B	C
5kg	1794	688	538	5kg	348	446	1170
10kg	858	324	253	10kg	285	365	961
20kg	670	251	197	20kg	197	251	670

搭配伺服马达一览表 Suitable motor brand

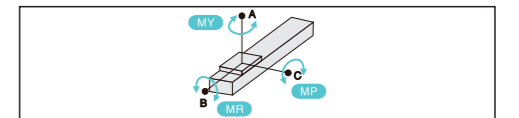
品牌 Brand	马达记号 Mark	刹车有无 Brake	马达容量 Motor capacity	电源电压 AC-Voltage	伺服马达型号 Servo motor model	驱动器型号 Driver Model
三菱 Mitsubishi	M	无刹车(水平式样) No brake (horizontal type)	400	220	HG-KN43J-S100	MR-JE-40A
松下 Panasonic	P	无刹车(水平式样) No brake (horizontal type)	400	220	MHMF042L1U2M	MBDLN25SE
台达 Delta	T	无刹车(水平式样) No brake (horizontal type)	400	220	ECM-B3M-C20604RS1	ASD-B3-0421-L

感应器连接图<原点及端点> Sensor layout



HNR-E
HNB-E
HFR
HNR
HCR
HNB
HCB
HNT
XYZ
参考资料 Reference data

静态容许负载惯量 Static loading moment



MY	MP	MR
150	150	130

*力矩表所表示的数据, 代表重心。
The torque value in the chart indicate the center of gravity.

*符合型录规范的正常试用下, 保证寿命为10000公里。
Operation life is 10,000km when the product is using under the specified conditions.

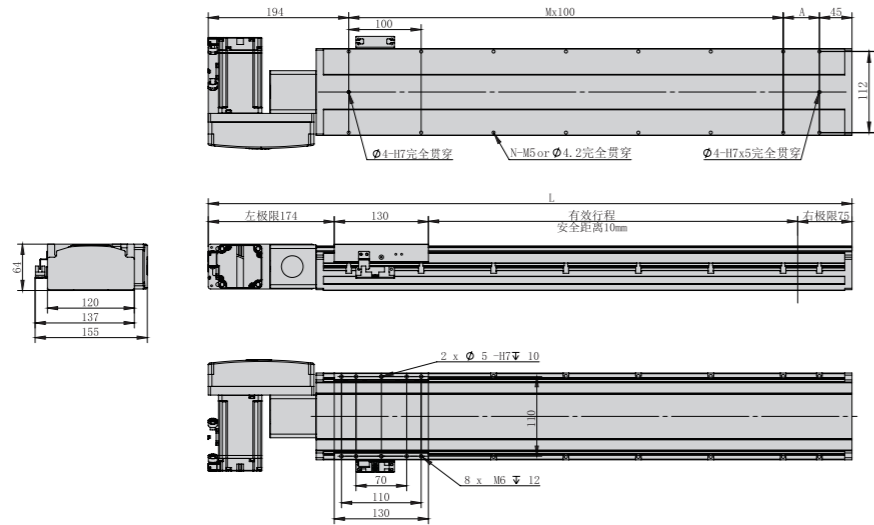
*倒吊使用无法套用标准规范, 如有需求请咨询我司业务。
The standard specification cannot be applied to the use of inverted crane. Please consult our business if necessary.



电机外置左侧/电机外置右侧
Motor external left side / Motor external right side

ML 电机外置左侧 Motor external left side

单位:Unit: mm



*不含电机重量。*Motor weight not included.

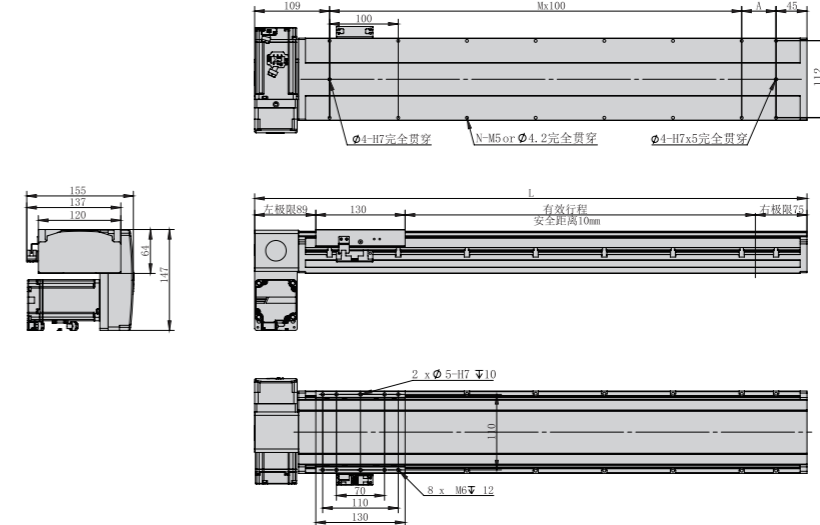
有效行程 Stroke	150	250	350	450	550	650	750	850	950	1050	1150	1250	1350	1450	1550	1650	1750	1850	1950	2050	2150	2250	2350	2450	2550	2650	2750	2850	2950	3050
L	539	639	739	839	939	1039	1139	1239	1339	1439	1539	1639	1739	1839	1939	2039	2139	2239	2339	2439	2539	2639	2739	2839	2939	3039	3139	3239	3339	3439
A	100	50	100	50	100	50	100	50	100	50	100	50	100	50	100	50	100	50	100	50	100	50	100	50	100	50	100	50	100	50
N	8	10	12	14	16	18	20	22	24	26	28	30	32	34	36	38	40	42	44	46	48	50	52	54	56	58	60	62	64	66
M	2	3	4	5	6	7	8	9	10	11	12	13	14	15	16	17	18	19	20	21	22	23	24	25	26	27	28	29	30	31
KG	7	8	9	10	11	12	13	14	15	16	17	18	19	20	21	22	23	24	25	26	27	28	29	30	31	32	33	34	35	36

如有超长行程及定制需求,请咨询我司业务。If you have extra long trip and custom requirements, please consult our business.

电机外置左下/电机外置左上
Motor external lower left / Motor external upper left

LP 电机外置左下 Motor external lower left

单位:Unit: mm



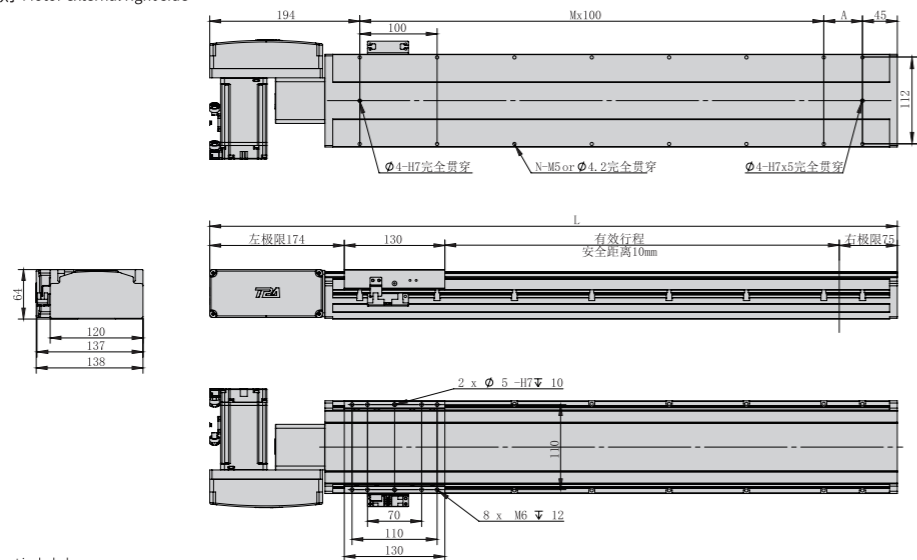
*不含电机重量。*Motor weight not included.

有效行程 Stroke	150	250	350	450	550	650	750	850	950	1050	1150	1250	1350	1450	1550	1650	1750	1850	1950	2050	2150	2250	2350	2450	2550	2650	2750	2850	2950	3050
L	454	554	654	754	854	954	1054	1154	1254	1354	1454	1554	1654	1754	1854	1954	2054	2154	2254	2354	2454	2554	2654	2754	2854	2954	3054	3154	3254	3354
A	100	50	100	50	100	50	100	50	100	50	100	50	100	50	100	50	100	50	100	50	100	50	100	50	100	50	100	50	100	50
N	8	10	12	14	16	18	20	22	24	26	28	30	32	34	36	38	40	42	44	46	48	50	52	54	56	58	60	62	64	66
M	2	3	4	5	6	7	8	9	10	11	12	13	14	15	16	17	18	19	20	21	22	23	24	25	26	27	28	29	30	31
KG	7.5	8.5	9.5	10.5	11.5	12.5	13.5	14.5	15.5	16.5	17.5	18.5	19.5	20.5	21.5	22.5	23.5	24.5	25.5	26.5	27.5	28.5	29.5	30.5	31.5	32.5	33.5	34.5	35.5	36.5

如有超长行程及定制需求,请咨询我司业务。If you have extra long trip and custom requirements, please consult our business.

MR 电机外置右侧 Motor external right side

单位:Unit: mm



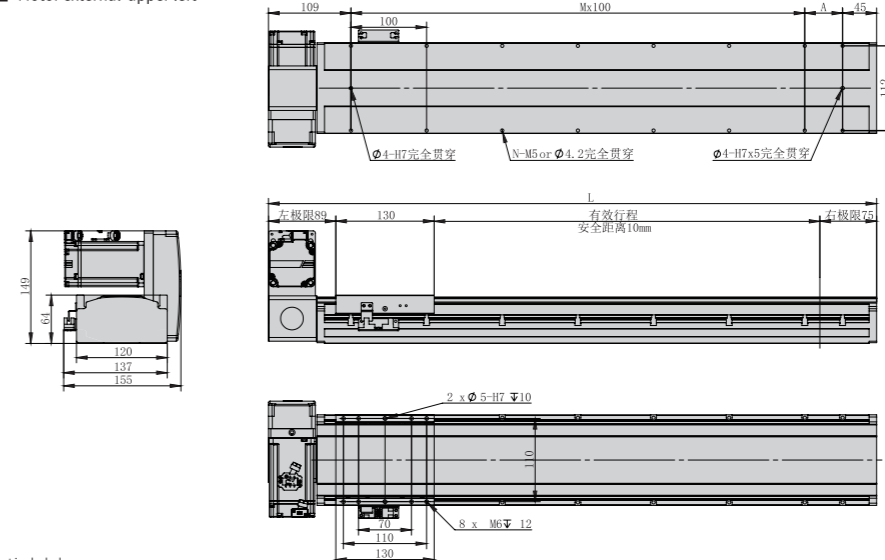
*不含电机重量。*Motor weight not included.

有效行程 Stroke	150	250	350	450	550	650	750	850	950	1050	1150	1250	1350	1450	1550	1650	1750	1850	1950	2050	2150	2250	2350	2450	2550	2650	2750	2850	2950	3050
L	539	639	739	839	939	1039	1139	1239	1339	1439	1539	1639	1739	1839	1939	2039	2139	2239	2339	2439	2539	2639	2739	2839	2939	3039	3139	3239	3339	3439
A	100	50	100	50	100	50	100	50	100	50	100	50	100	50	100	50	100	50	100	50	100	50	100	50	100	50	100	50	100	50
N	8	10	12	14	16	18	20	22	24	26	28	30	32	34	36	38	40	42	44	46	48	50	52	54	56	58	60	62	64	66
M	2	3	4	5	6	7	8	9	10	11	12	13	14	15	16	17	18	19	20	21	22	23	24	25	26	27	28	29	30	31
KG	7	8	9	10	11	12	13	14	15	16	17	18	19	20	21	22	23	24	25	26	27	28	29	30	31	32	33	34	35	36

如有超长行程及定制需求,请咨询我司业务。If you have extra long trip and custom requirements, please consult our business.

LU 电机外置左上 Motor external upper left

单位:Unit: mm



*不含电机重量。*Motor weight not included.

有效行程 Stroke	150	250	350	450	550	650	750	850	950	1050	1150	1250	1350	1450	1550	1650	1750	1850	1950	2050	2150	2250	2350	2450	2550	2650	2750	2850	2950	3050
L	454	554	654	754	854	954	1054	1154	1254	1354	1454	1554	1654	1754	1854	1954	2054	2154	2254	2354	2454	2554	2654	2754	2854	2954	3054	3154	3254	3354
A	100	50	100	50	100	50	100	50	100	50	100	50	100	50	100	50	100	50	100	50	100	50	100	50	100	50	100	50	100	50
N	8	10	12	14	16	18	20	22	24	26	28	30	32	34	36	38	40	42	44	46	48	50	52	54	56	58	60	62	64	66
M	2	3	4	5	6	7	8	9	10	11	12	13	14	15	16	17	18	19	20	21	22	23	24	25	26	27	28	29	30	31
KG	7.5	8.5	9.5	10.5	11.5	12.5	13.5	14.5	15.5	16.5	17.5	18.5	19.5	20.5	21.5	22.5	23.5	24.5	25.5	26.5	27.5	28.5	29.5	30.5	31.5	32.5	33.5	34.5	35.5	36.5

如有超长行程及定制需求,请咨询我司业务。If you have extra long trip and custom requirements, please consult our business.

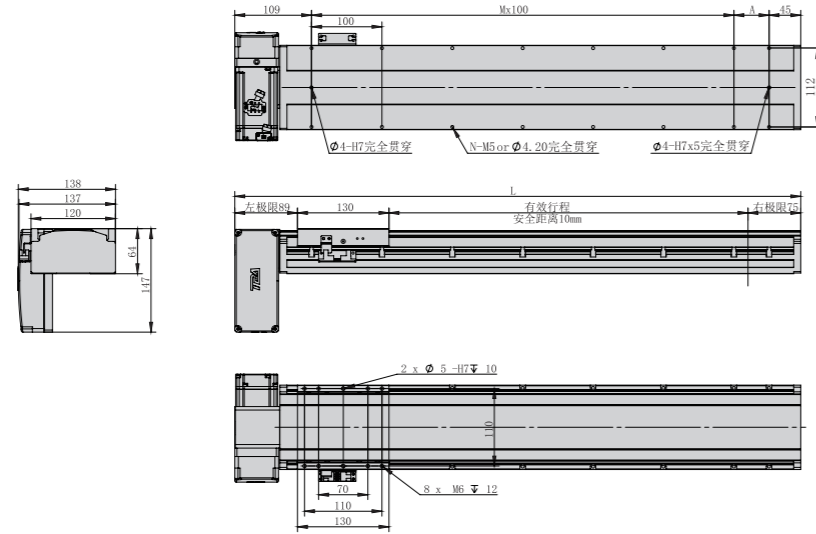
HNR-E
HNB-E
HFR
HNR
HCR
HNB
HC
HNT
XYZ
参考资料 Reference data



电机外置右下/电机外置右上
Motor external lower right / Motor external upper right

RP 电机外置右下 Motor external lower right

单位:Unit:mm



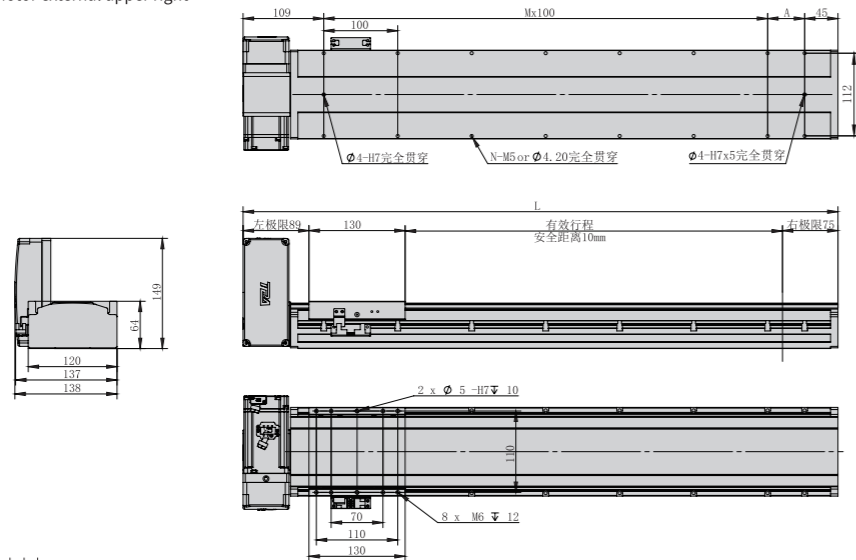
*不含电机重量。*Motor weight not included.

有效行程 Stroke	150	250	350	450	550	650	750	850	950	1050	1150	1250	1350	1450	1550	1650	1750	1850	1950	2050	2150	2250	2350	2450	2550	2650	2750	2850	2950	3050
L	454	554	654	754	854	954	1054	1154	1254	1354	1454	1554	1654	1754	1854	1954	2054	2154	2254	2354	2454	2554	2654	2754	2854	2954	3054	3154	3254	3354
A	100	50	100	50	100	50	100	50	100	50	100	50	100	50	100	50	100	50	100	50	100	50	100	50	100	50	100	50	100	50
N	8	10	12	14	16	18	20	22	24	26	28	30	32	34	36	38	40	42	44	46	48	50	52	54	56	58	60	62	64	66
M	2	3	4	5	6	7	8	9	10	11	12	13	14	15	16	17	18	19	20	21	22	23	24	25	26	27	28	29	30	31
KG	7.5	8.5	9.5	10.5	11.5	12.5	13.5	14.5	15.5	16.5	17.5	18.5	19.5	20.5	21.5	22.5	23.5	24.5	25.5	26.5	27.5	28.5	29.5	30.5	31.5	32.5	33.5	34.5	35.5	36.5

如有超长行程及定制需求,请咨询我司业务。If you have extra long trip and custom requirements, please consult our business.

RU 电机外置右上 Motor external upper right

单位:Unit:mm



*不含电机重量。*Motor weight not included.

有效行程 Stroke	150	250	350	450	550	650	750	850	950	1050	1150	1250	1350	1450	1550	1650	1750	1850	1950	2050	2150	2250	2350	2450	2550	2650	2750	2850	2950	3050
L	454	554	654	754	854	954	1054	1154	1254	1354	1454	1554	1654	1754	1854	1954	2054	2154	2254	2354	2454	2554	2654	2754	2854	2954	3054	3154	3254	3354
A	100	50	100	50	100	50	100	50	100	50	100	50	100	50	100	50	100	50	100	50	100	50	100	50	100	50	100	50	100	50
N	8	10	12	14	16	18	20	22	24	26	28	30	32	34	36	38	40	42	44	46	48	50	52	54	56	58	60	62	64	66
M	2	3	4	5	6	7	8	9	10	11	12	13	14	15	16	17	18	19	20	21	22	23	24	25	26	27	28	29	30	31
KG	7.5	8.5	9.5	10.5	11.5	12.5	13.5	14.5	15.5	16.5	17.5	18.5	19.5	20.5	21.5	22.5	23.5	24.5	25.5	26.5	27.5	28.5	29.5	30.5	31.5	32.5	33.5	34.5	35.5	36.5

如有超长行程及定制需求,请咨询我司业务。If you have extra long trip and custom requirements, please consult our business.

MEMO

- HNR-E
- HNB-E
- HFR
- HNR
- HCR
- HNB
- HCB
- HNT
- XYZ
- 参考资料
Reference data



重复精度
Repeat Accuracy
±0.02 mm

此图仅供参考, 出货规格详见尺寸图面
This drawing is for reference only, Please refer to the size drawing for shipment specifications.

最大行程
Max stroke 3050mm

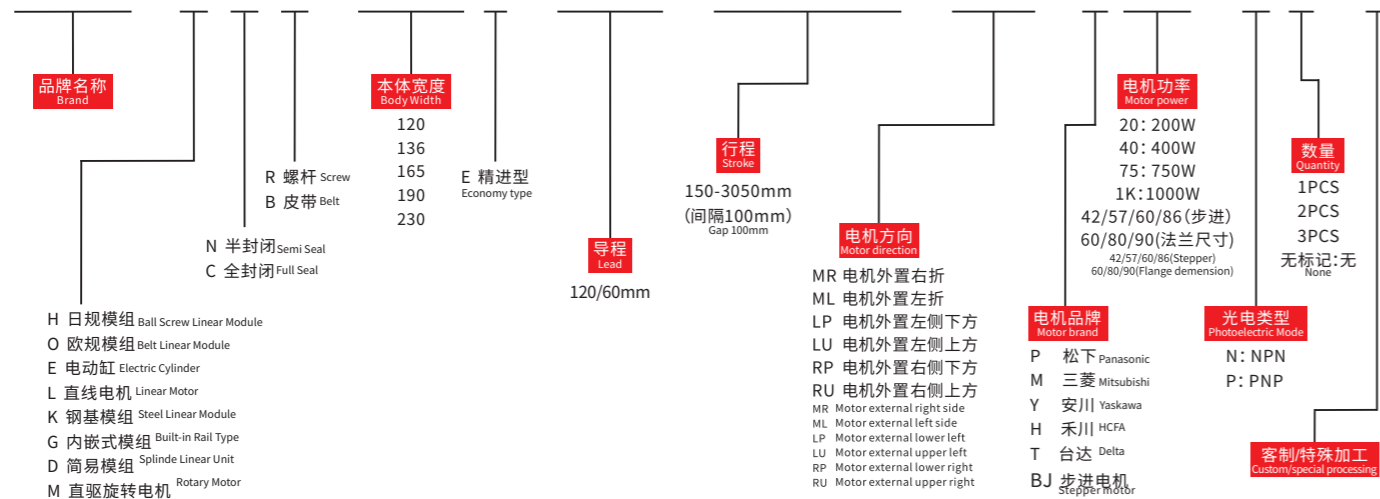
最高速度
Max speed 6000mm/s

马达容量
Motor output 400W

直线滑轨
Linear guide 15X12.5-2支

型号表达方式 Ordering method

TPA-HNB-136E-120-L3050-MR-P40-N3-F



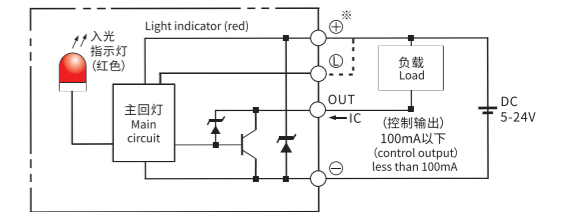
产品性能参数如下 Product performance parameters are as follows

电机功率 (W) Motor power (W)	400	
重复定位精度 (mm) Repeated positioning accuracy (mm)	±0.04	
减速比 (mm) Reduction ratio	1:1	1:2
规格 Spec	导程 (mm) Lead (mm)	120 60
最高速度 (mm/s) Maximum speed (mm/s)	6000	
电机额定转速 (RPM) Rated speed of motor (RPM)	3000	
最大可搬重量 Maximum Payload	18	36
标准行程 (mm) Stroke pitch (mm)	150~3050mm/100 间隔100 mm Pitch	
部品 Parts	基座材质 Material of base	硬质挤压铝材A1 Hard extruded aluminum A1
使用环境 Operating environment	0~40°C, 85%RH (无凝结) No condensation	

注1: 使用非上述功率电机时请依据实际参数推算。
Note 1: When using a motor with a power other than the above, please calculate according to the actual parameters.

注2: 最高速度因行程和负载而异, 当螺杆菌细长比大于1:50时, 可能会因螺杆菌临界速度产生共振和抖动, 应适当下调运行速度, 一般螺杆菌每增长100mm, 速度应下调10~15%。
Note 2: The maximum speed varies with stroke and load. When the screw slenderness ratio is greater than 1:50, resonance and jitter may occur due to the critical speed of the screw, so the running speed should be reduced appropriately. Generally, the speed should be reduced by 10~15% for every 100mm increase of the screw.

感应器连接图<原点及端点> Sensor layout



容许负载力矩表 N.m Allowable overhang

水平安装 Horizontal installation (单位Unit:mm)				侧面安装 Side mounting (单位Unit:mm)					
	A	B	C		A	B	C		
负载 Load	5kg	2629	1279	1150	负载 Load	5kg	1365	1219	2339
	10kg	1559	719	712		10kg	699	649	1319
	20kg	1209	475	434		20kg	379	385	935
	32kg	766	310	288		32kg	199	220	600

静态容许负载惯量 Static loading moment

	(单位Unit:N.m)
MY	551
MP	552
MR	485

*力矩表所表示的数据, 代表重心。
The torque value in the chart indicate the center of gravity.

*符合型录规范的正常试用下, 保证寿命为10000公里。
Operation life is 10,000km when the product is using under the specified conditions.

*倒吊使用无法套用标准规范, 如有需求请咨询我司业务。
The standard specification cannot be applied to the use of inverted crane. Please consult our business if necessary.

搭配伺服马达一览表 Suitable motor brand

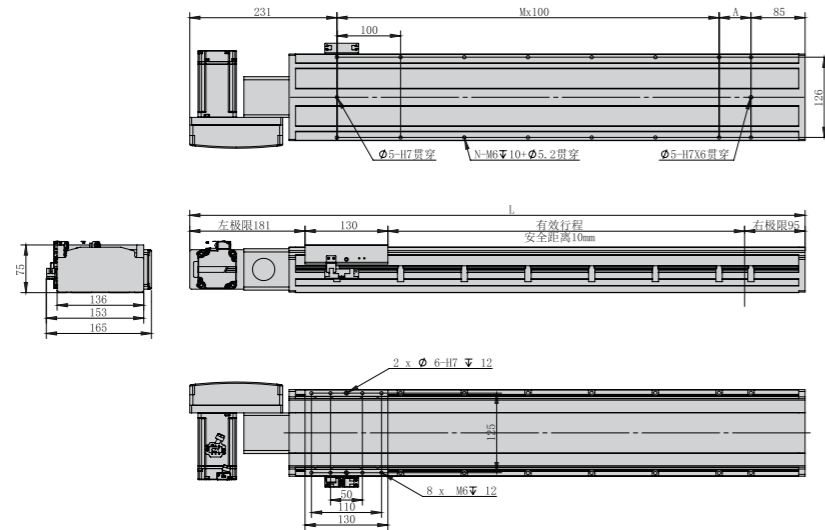
品牌 Brand	马达记号 Mark	刹车有无 Brake	马达容量 Motor capacity	电源电压 AC-Voltage	伺服马达型号 Servo motor model	驱动器型号 Driver Model
三菱 Mitsubishi	M	无刹车(水平式样) No brake (horizontal type)	400	220	HG-KN43J-S100	MR-JE-40A
松下 Panasonic	P	无刹车(水平式样) No brake (horizontal type)	400	220	MHMF042L1U2M	MBDLN25SE
台达 Delta	T	无刹车(水平式样) No brake (horizontal type)	400	220	ECM-B3M-C20604RS1	ASD-B3-0421-L



电机外置左侧/电机外置右侧
Motor external left side / Motor external right side

ML 电机外置左侧 Motor external left side

单位:Unit: mm



*不含电机重量。*Motor weight not included.

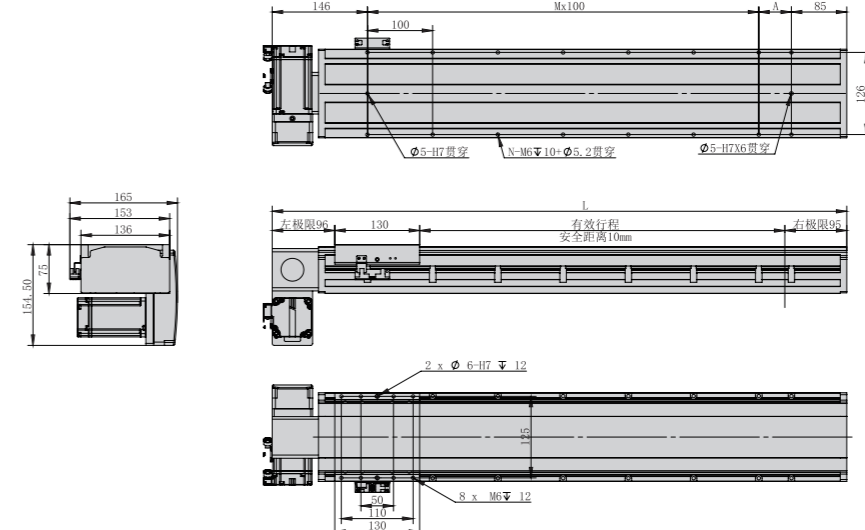
有效行程 Stroke	150	250	350	450	550	650	750	850	950	1050	1150	1250	1350	1450	1550	1650	1750	1850	1950	2050	2150	2250	2350	2450	2550	2650	2750	2850	2950	3050
L	566	666	766	866	966	1066	1166	1266	1366	1466	1566	1666	1766	1866	1966	2066	2166	2266	2366	2466	2566	2666	2766	2866	2966	3066	3166	3266	3366	3466
A	50	100	50	100	50	100	50	100	50	100	50	100	50	100	50	100	50	100	50	100	50	100	50	100	50	100	50	100	50	100
N	8	10	12	14	16	18	20	22	24	26	28	30	32	34	36	38	40	42	44	46	48	50	52	54	56	58	60	62	64	66
M	2	4	6	8	10	12	14	16	18	20	22	24	26	28	30	32	34	36	38	40	42	44	46	48	50	52	54	56	58	60
KG	8	9	10	11	12	13	14	15	16	17	18	19	20	21	22	23	24	25	26	27	28	29	30	31	32	33	34	35	36	37

如有超长行程及定制需求,请咨询我司业务。If you have extra long trip and custom requirements, please consult our business.

电机外置左下/电机外置左上
Motor external lower left / Motor external upper left

LP 电机外置左下 Motor external lower left

单位:Unit: mm



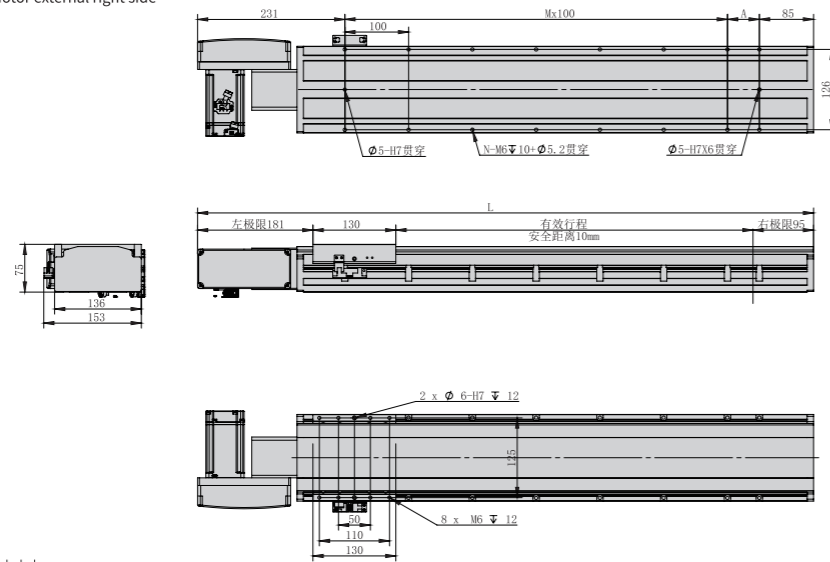
*不含电机重量。*Motor weight not included.

有效行程 Stroke	150	250	350	450	550	650	750	850	950	1050	1150	1250	1350	1450	1550	1650	1750	1850	1950	2050	2150	2250	2350	2450	2550	2650	2750	2850	2950	3050
L	481	581	681	781	881	981	1081	1181	1281	1381	1481	1581	1681	1781	1881	1981	2081	2181	2281	2381	2481	2581	2681	2781	2881	2981	3081	3181	3281	3381
A	50	100	50	100	50	100	50	100	50	100	50	100	50	100	50	100	50	100	50	100	50	100	50	100	50	100	50	100	50	100
N	8	10	12	14	16	18	20	22	24	26	28	30	32	34	36	38	40	42	44	46	48	50	52	54	56	58	60	62	64	66
M	2	4	6	8	10	12	14	16	18	20	22	24	26	28	30	32	34	36	38	40	42	44	46	48	50	52	54	56	58	60
KG	8.5	9.5	10.5	11.5	12.5	13.5	14.5	15.5	16.5	17.5	18.5	19.5	20.5	21.5	22.5	23.5	24.5	25.5	26.5	27.5	28.5	29.5	30.5	31.5	32.5	33.5	34.5	35.5	36.5	37.5

如有超长行程及定制需求,请咨询我司业务。If you have extra long trip and custom requirements, please consult our business.

MR 电机外置右侧 Motor external right side

单位:Unit: mm



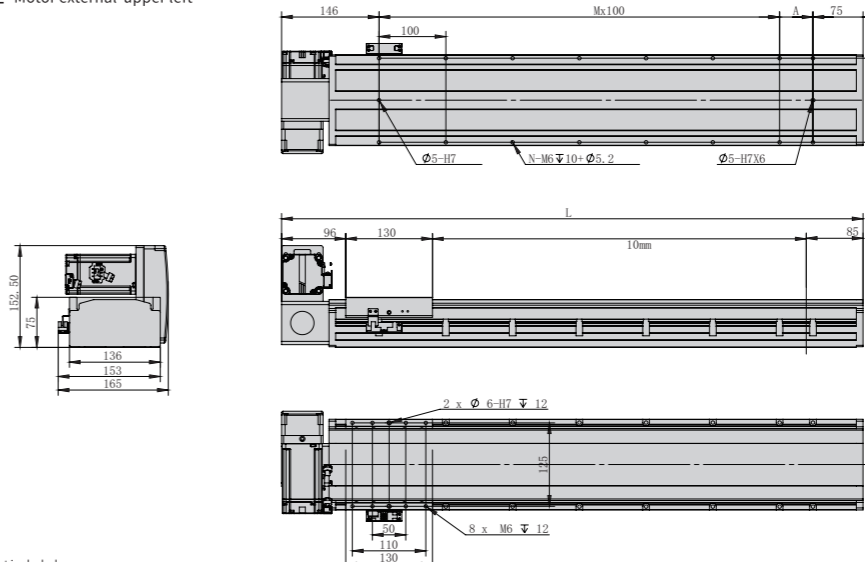
*不含电机重量。*Motor weight not included.

有效行程 Stroke	150	250	350	450	550	650	750	850	950	1050	1150	1250	1350	1450	1550	1650	1750	1850	1950	2050	2150	2250	2350	2450	2550	2650	2750	2850	2950	3050
L	566	666	766	866	966	1066	1166	1266	1366	1466	1566	1666	1766	1866	1966	2066	2166	2266	2366	2466	2566	2666	2766	2866	2966	3066	3166	3266	3366	3466
A	50	100	50	100	50	100	50	100	50	100	50	100	50	100	50	100	50	100	50	100	50	100	50	100	50	100	50	100	50	100
N	8	10	12	14	16	18	20	22	24	26	28	30	32	34	36	38	40	42	44	46	48	50	52	54	56	58	60	62	64	66
M	2	4	6	8	10	12	14	16	18	20	22	24	26	28	30	32	34	36	38	40	42	44	46	48	50	52	54	56	58	60
KG	8	9	10	11	12	13	14	15	16	17	18	19	20	21	22	23	24	25	26	27	28	29	30	31	32	33	34	35	36	37

如有超长行程及定制需求,请咨询我司业务。If you have extra long trip and custom requirements, please consult our business.

LU 电机外置左上 Motor external upper left

单位:Unit: mm



*不含电机重量。*Motor weight not included.

有效行程 Stroke	150	250	350	450	550	650	750	850	950	1050	1150	1250	1350	1450	1550	1650	1750	1850	1950	2050	2150	2250	2350	2450	2550	2650	2750	2850	2950	3050
L	481	581	681	781	881	981	1081	1181	1281	1381	1481	1581	1681	1781	1881	1981	2081	2181	2281	2381	2481	2581	2681	2781	2881	2981	3081	3181	3281	3381
A	50	100	50	100	50	100	50	100	50	100	50	100	50	100	50	100	50	100	50	100	50	100	50	100	50	100	50	100	50	100
N	8	10	12	14	16	18	20	22	24	26	28	30	32	34	36	38	40	42	44	46	48	50	52	54	56	58	60	62	64	66
M	2	4	6	8	10	12	14	16	18	20	22	24	26	28	30	32	34	36	38	40	42	44	46	48	50	52	54	56	58	60
KG	8.5	9.5	10.5	11.5	12.5	13.5	14.5	15.5	16.5	17.5	18.5	19.5	20.5	21.5	22.5	23.5	24.5	25.5	26.5	27.5	28.5	29.5	30.5	31.5	32.5	33.5	34.5	35.5	36.5	37.5

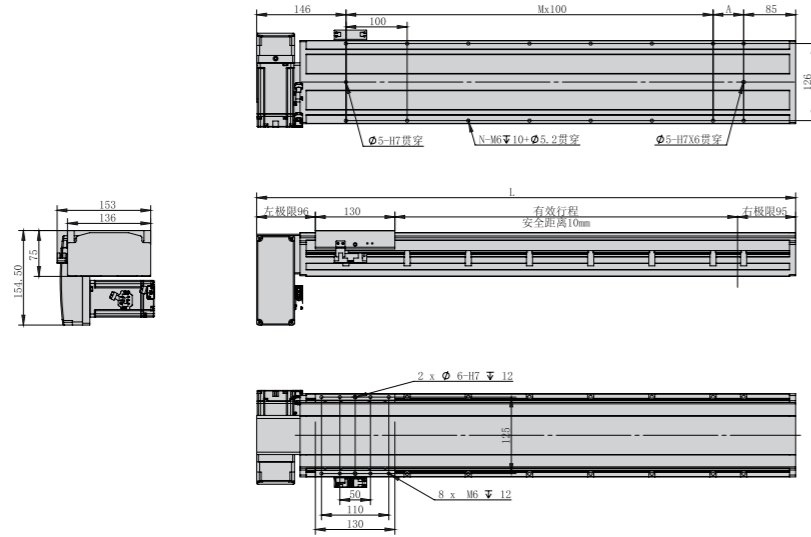
如有超长行程及定制需求,请咨询我司业务。If you have extra long trip and custom requirements, please consult our business.



电机外置右下/电机外置右上
Motor external lower right / Motor external upper right

RP 电机外置右下 Motor external lower right

单位:Unit:mm



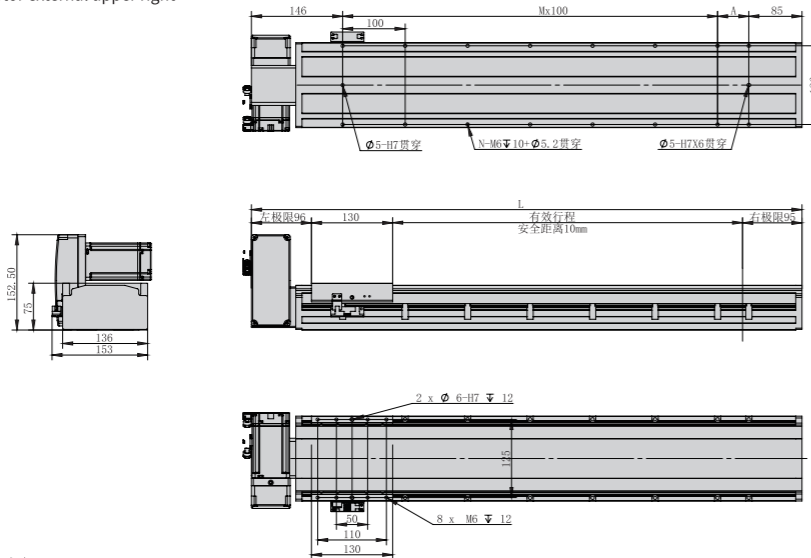
*不含电机重量。*Motor weight not included.

有效行程 Stroke	150	250	350	450	550	650	750	850	950	1050	1150	1250	1350	1450	1550	1650	1750	1850	1950	2050	2150	2250	2350	2450	2550	2650	2750	2850	2950	3050
L	481	581	681	781	881	981	1081	1181	1281	1381	1481	1581	1681	1781	1881	1981	2081	2181	2281	2381	2481	2581	2681	2781	2881	2981	3081	3181	3281	3381
A	50	100	50	100	50	100	50	100	50	100	50	100	50	100	50	100	50	100	50	100	50	100	50	100	50	100	50	100	50	100
N	8	10	12	14	16	18	20	22	24	26	28	30	32	34	36	38	40	42	44	46	48	50	52	54	56	58	60	62	64	66
M	2	4	6	8	10	12	14	16	18	20	22	24	26	28	30	32	34	36	38	40	42	44	46	48	50	52	54	56	58	60
KG	8.5	9.5	10.5	11.5	12.5	13.5	14.5	15.5	16.5	17.5	18.5	19.5	20.5	21.5	22.5	23.5	24.5	25.5	26.5	27.5	28.5	29.5	30.5	31.5	32.5	33.5	34.5	35.5	36.5	37.5

如有超长行程及定制需求,请咨询我司业务。If you have extra long trip and custom requirements, please consult our business.

RU 电机外置右上 Motor external upper right

单位:Unit:mm



*不含电机重量。*Motor weight not included.

有效行程 Stroke	150	250	350	450	550	650	750	850	950	1050	1150	1250	1350	1450	1550	1650	1750	1850	1950	2050	2150	2250	2350	2450	2550	2650	2750	2850	2950	3050
L	481	581	681	781	881	981	1081	1181	1281	1381	1481	1581	1681	1781	1881	1981	2081	2181	2281	2381	2481	2581	2681	2781	2881	2981	3081	3181	3281	3381
A	50	100	50	100	50	100	50	100	50	100	50	100	50	100	50	100	50	100	50	100	50	100	50	100	50	100	50	100	50	100
N	8	10	12	14	16	18	20	22	24	26	28	30	32	34	36	38	40	42	44	46	48	50	52	54	56	58	60	62	64	66
M	2	4	6	8	10	12	14	16	18	20	22	24	26	28	30	32	34	36	38	40	42	44	46	48	50	52	54	56	58	60
KG	8.5	9.5	10.5	11.5	12.5	13.5	14.5	15.5	16.5	17.5	18.5	19.5	20.5	21.5	22.5	23.5	24.5	25.5	26.5	27.5	28.5	29.5	30.5	31.5	32.5	33.5	34.5	35.5	36.5	37.5

如有超长行程及定制需求,请咨询我司业务。If you have extra long trip and custom requirements, please consult our business.

MEMO

- HNR-E
- HNB-E**
- HFR
- HNR
- HCR
- HNB
- HCB
- HNT
- XYZ
- 参考资料
Reference data



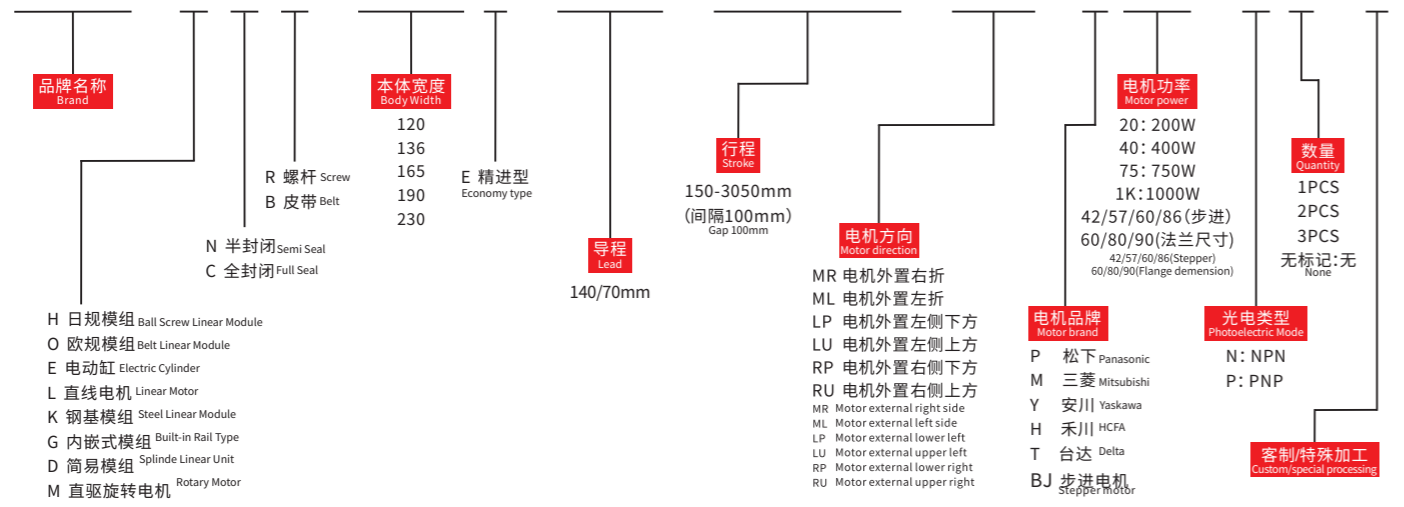
重复精度
Repeat Accuracy
±0.02 mm

此图仅供参考, 出货规格详见尺寸图面
This drawing is for reference only, Please refer to the size drawing for shipment specifications.

最大行程 Max stroke: 3050mm 最高速度 Max speed: 7000mm/s 马达容量 Motor output: 750W 直线滑轨 Linear guide: 20X15.5-2支

型号表达方式 Ordering method

TPA-HNB-165E-140-L3050-MR-P75-N3-F

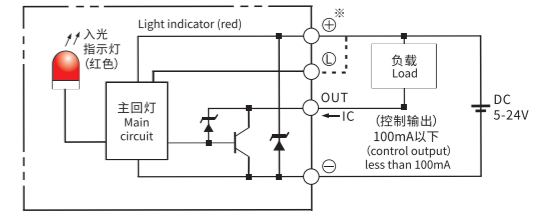


产品性能参数如下 Product performance parameters are as follows

电机功率 (W) Motor power (W)	750	
重复定位精度 (mm) Repeated positioning accuracy (mm)	±0.04	
减速比 (mm) Reduction ratio	1:1	1:2
规格 Spec	导程 (mm) Lead (mm)	140 70
最高速度 (mm/s) Maximum speed (mm/s)	7000	
电机额定转速 (RPM) Rated speed of motor (RPM)	3000	
最大可搬重量 Maximum Payload	30	60
标准行程 (mm) Stroke pitch (mm)	150~3050mm/100 间隔100 mm Pitch	
部品 Parts	基座材质 Material of base	硬质挤压铝材A1 Hard extruded aluminum A1
使用环境 Operating environment	0~40°C, 85%RH(无凝结) No condensation	

注1: 使用非上述功率电机时请依据实际参数推算。
 Note 1: When using a motor with a power other than the above, please calculate according to the actual parameters.
 注2: 最高速度因行程和负载而异, 当螺杆细长比大于1:50时, 可能会因螺杆临界速度产生共振和抖动, 应适当下调运行速度, 一般螺杆每增长100mm, 速度应下调10~15%。
 Note 2: The maximum speed varies with stroke and load. When the screw slenderness ratio is greater than 1:50, resonance and jitter may occur due to the critical speed of the screw, so the running speed should be reduced appropriately. Generally, the speed should be reduced by 10~15% for every 100mm increase of the screw.

感应器连接图<原点及端点> Sensor layout



参考资料 Reference data

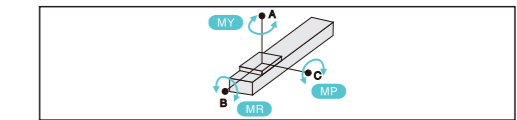
HNR-E
HNB-E
HFR
HNR
HCR
HNB
HCB
HNT
XYZ

容许负载力矩表 N.m Allowable overhang



水平安装 Horizontal installation		A	B	C	侧面安装 Side mounting		A	B	C
负载 Load	10kg	2942	1133	1033	负载 Load	15kg	676	742	1933
	20kg	1430	547	498		25kg	390	428	1127
	30kg	926	350	320		35kg	269	294	781
	45kg	588	219	201		45kg	201	219	588

静态容许负载惯量 Static loading moment



(单位Unit: N.m)

MY	1032
MP	1034
MR	908

*力矩表所表示的数据, 代表重心。
 The torque value in the chart indicate the center of gravity.
 *符合型录规范的正常试用下, 保证寿命为10000公里。
 Operation life is 10,000km when the product is using under the specified conditions.
 *倒吊使用无法套用标准规范, 如有需求请咨询我司业务。
 The standard specification cannot be applied to the use of inverted crane. Please consult our business if necessary.

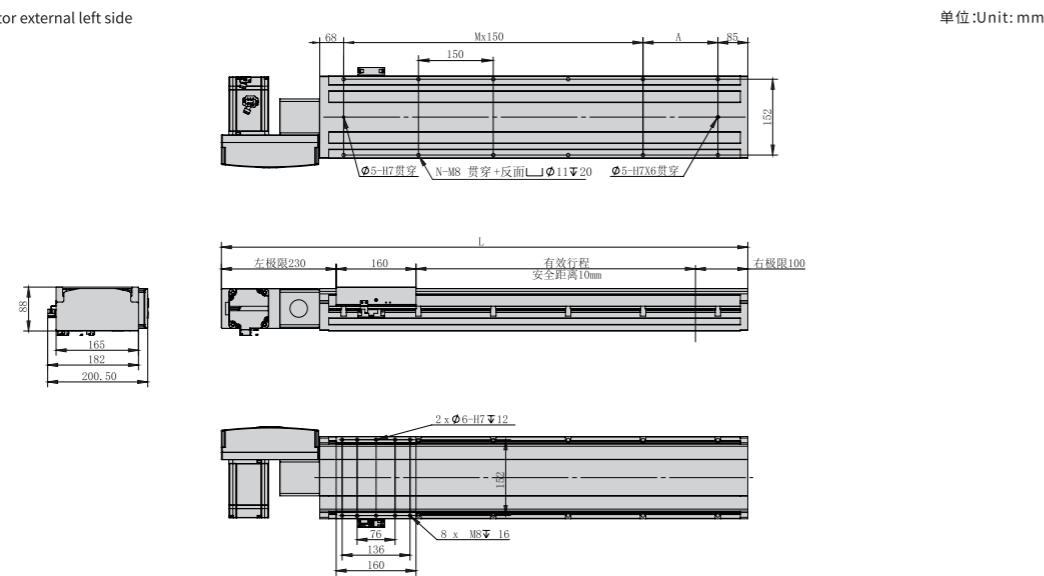
搭配伺服马达一览表 Suitable motor brand

品牌 Brand	马达记号 Mark	刹车有无 Brake	马达容量 Motor capacity	电源电压 AC-Voltage	伺服马达型号 Servo motor model	驱动器型号 Driver Model
三菱 Mitsubishi	M	无刹车(水平式样) No brake (horizontal type)	750	220	HG-KN73J-S100	MR-JE-70A
松下 Panasonic	P	无刹车(水平式样) No brake (horizontal type)	750	220	MHMF082L1U2M	MCDLN35SE
台达 Delta	T	无刹车(水平式样) No brake (horizontal type)	750	220	ECM-B3M-C20807SS1	ASD-B3-0721-L



电机外置左侧/电机外置右侧
Motor external left side / Motor external right side

ML 电机外置左侧 Motor external left side



单位:Unit: mm

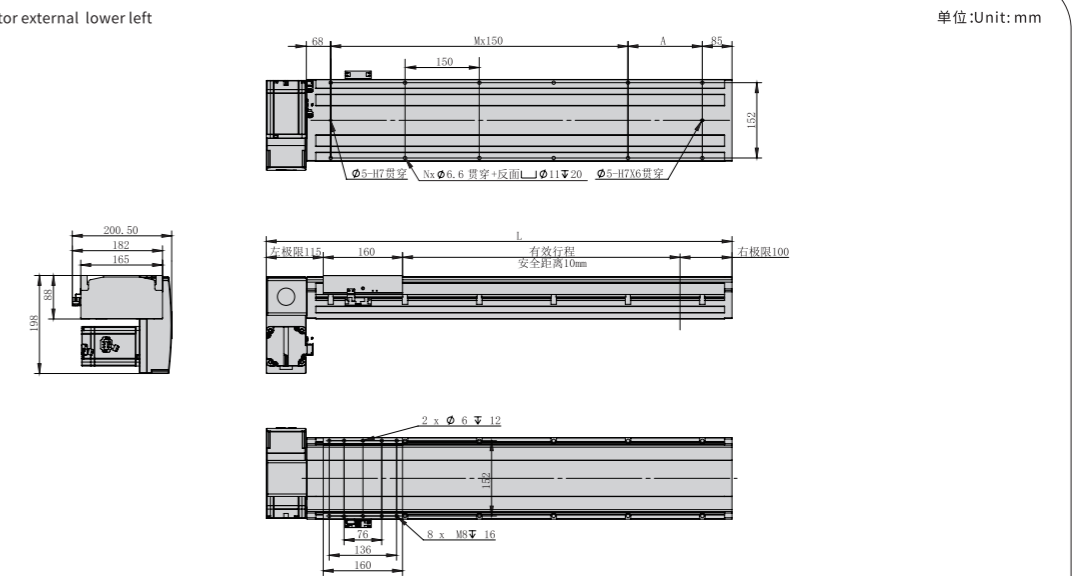
*不含电机重量。*Motor weight not included.

有效行程 Stroke	150	250	350	450	550	650	750	850	950	1050	1150	1250	1350	1450	1550	1650	1750	1850	1950	2050	2150	2250	2350	2450	2550	2650	2750	2850	2950	3050
L	655	755	855	955	1055	1155	1255	1355	1455	1555	1655	1755	1855	1955	2055	2155	2255	2355	2455	2555	2655	2755	2855	2955	3055	3155	3255	3355	3455	3555
A	150	100	50	150	100	50	150	100	50	150	100	50	150	100	50	150	100	50	150	100	50	150	100	50	150	100	50	150	100	50
N	6	8	10	12	14	16	18	20	22	24	26	28	30	32	34	36	38	40	42	44	46	48	50	52	54	56	58	60	62	64
M	1	2	3	4	5	6	7	8	9	10	11	12	13	14	15	16	17	18	19	20	21	22	23	24	25	26	27	28	29	30
KG	10	11	12	13	14	15	16	17	18	19	20	21	22	23	24	25	26	27	28	29	30	31	32	33	34	35	36	37	38	39

如有超长行程及定制需求,请咨询我司业务。If you have extra long trip and custom requirements, please consult our business.

电机外置左下/电机外置左上
Motor external lower left / Motor external upper left

LP 电机外置左下 Motor external lower left



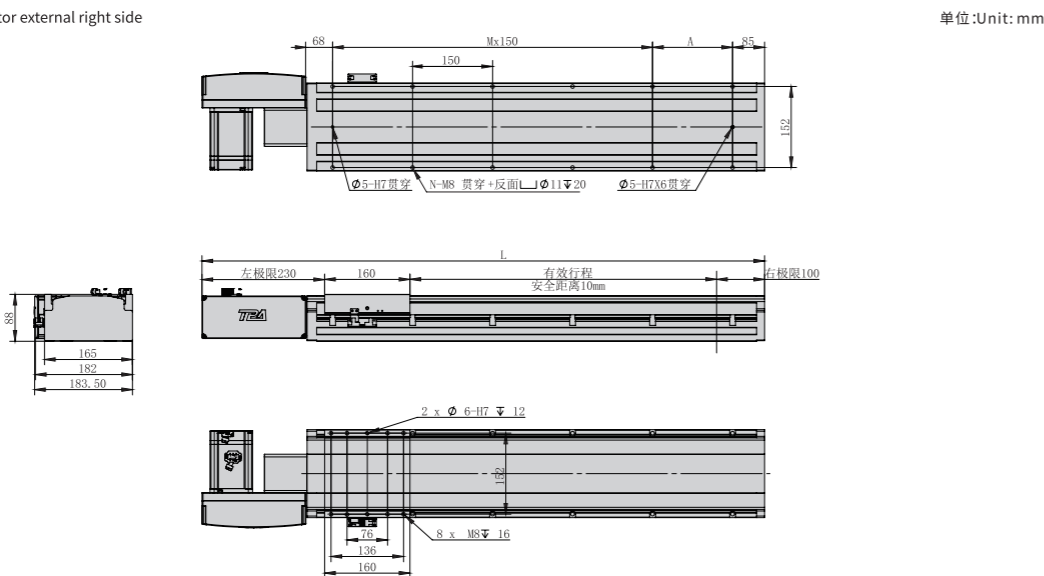
单位:Unit: mm

*不含电机重量。*Motor weight not included.

有效行程 Stroke	150	250	350	450	550	650	750	850	950	1050	1150	1250	1350	1450	1550	1650	1750	1850	1950	2050	2150	2250	2350	2450	2550	2650	2750	2850	2950	3050
L	540	640	740	840	940	1040	1140	1240	1340	1440	1540	1640	1740	1840	1940	2040	2140	2240	2340	2440	2540	2640	2740	2840	2940	3040	3140	3240	3340	3440
A	150	100	50	150	100	50	150	100	50	150	100	50	150	100	50	150	100	50	150	100	50	150	100	50	150	100	50	150	100	50
N	6	8	10	12	14	16	18	20	22	24	26	28	30	32	34	36	38	40	42	44	46	48	50	52	54	56	58	60	62	64
M	1	2	3	4	5	6	7	8	9	10	11	12	13	14	15	16	17	18	19	20	21	22	23	24	25	26	27	28	29	30
KG	10	11	12	13	14	15	16	17	18	19	20	21	22	23	24	25	26	27	28	29	30	31	32	33	34	35	36	37	38	39

如有超长行程及定制需求,请咨询我司业务。If you have extra long trip and custom requirements, please consult our business.

MR 电机外置右侧 Motor external right side



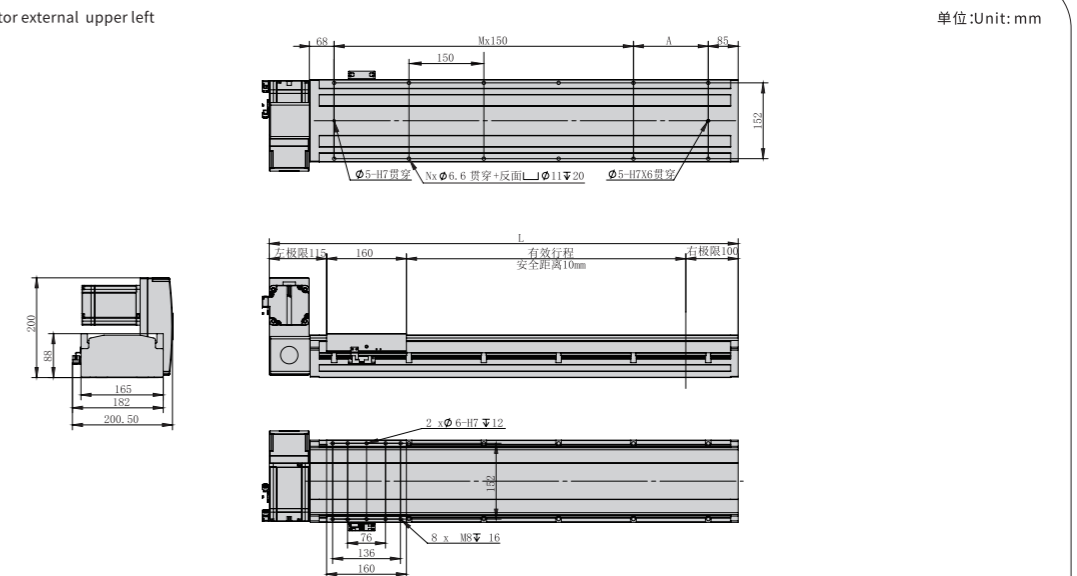
单位:Unit: mm

*不含电机重量。*Motor weight not included.

有效行程 Stroke	150	250	350	450	550	650	750	850	950	1050	1150	1250	1350	1450	1550	1650	1750	1850	1950	2050	2150	2250	2350	2450	2550	2650	2750	2850	2950	3050
L	655	755	855	955	1055	1155	1255	1355	1455	1555	1655	1755	1855	1955	2055	2155	2255	2355	2455	2555	2655	2755	2855	2955	3055	3155	3255	3355	3455	3555
A	150	100	50	150	100	50	150	100	50	150	100	50	150	100	50	150	100	50	150	100	50	150	100	50	150	100	50	150	100	50
N	6	8	10	12	14	16	18	20	22	24	26	28	30	32	34	36	38	40	42	44	46	48	50	52	54	56	58	60	62	64
M	1	2	3	4	5	6	7	8	9	10	11	12	13	14	15	16	17	18	19	20	21	22	23	24	25	26	27	28	29	30
KG	10	11	12	13	14	15	16	17	18	19	20	21	22	23	24	25	26	27	28	29	30	31	32	33	34	35	36	37	38	39

如有超长行程及定制需求,请咨询我司业务。If you have extra long trip and custom requirements, please consult our business.

LU 电机外置左上 Motor external upper left



单位:Unit: mm

*不含电机重量。*Motor weight not included.

有效行程 Stroke	150	250	350	450	550	650	750	850	950	1050	1150	1250	1350	1450	1550	1650	1750	1850	1950	2050	2150	2250	2350	2450	2550	2650	2750	2850	2950	3050
L	540	640	740	840	940	1040	1140	1240	1340	1440	1540	1640	1740	1840	1940	2040	2140	2240	2340	2440	2540	2640	2740	2840	2940	3040	3140	3240	3340	3440
A	150	100	50	150	100	50	150	100	50	150	100	50	150	100	50	150	100	50	150	100	50	150	100	50	150	100	50	150	100	50
N	6	8	10	12	14	16	18	20	22	24	26	28	30	32	34	36	38	40	42	44	46	48	50	52	54	56	58	60	62	64
M	1	2	3	4	5	6	7	8	9	10	11	12	13	14	15	16	17	18	19	20	21	22	23	24	25	26	27	28	29	30
KG	10	11	12	13	14	15	16	17	18	19	20	21	22	23	24	25	26	27	28	29	30	31	32	33	34	35	36	37	38	39

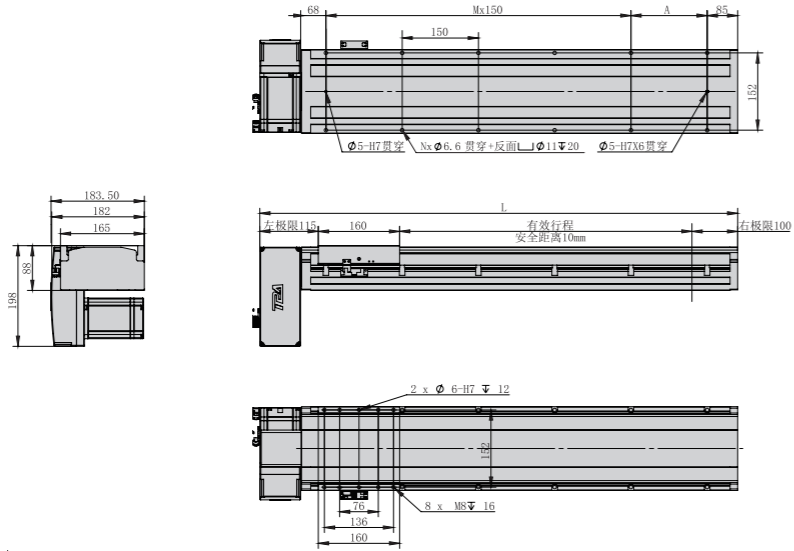
如有超长行程及定制需求,请咨询我司业务。If you have extra long trip and custom requirements, please consult our business.



电机外置右下/电机外置右上
Motor external lower right / Motor external upper right

RP 电机外置右下 Motor external lower right

单位:Unit:mm



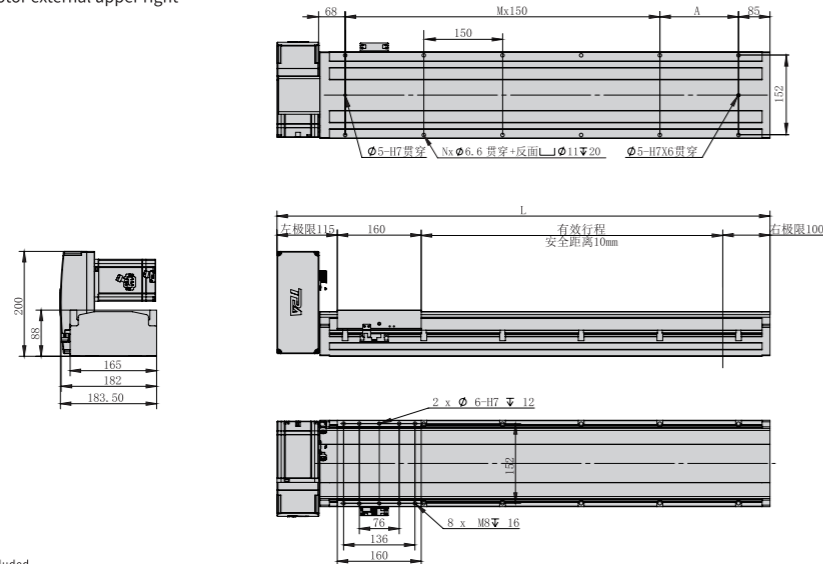
*不含电机重量。*Motor weight not included.

有效行程 Stroke	150	250	350	450	550	650	750	850	950	1050	1150	1250	1350	1450	1550	1650	1750	1850	1950	2050	2150	2250	2350	2450	2550	2650	2750	2850	2950	3050
L	540	640	740	840	940	1040	1140	1240	1340	1440	1540	1640	1740	1840	1940	2040	2140	2240	2340	2440	2540	2640	2740	2840	2940	3040	3140	3240	3340	3440
A	150	100	50	150	100	50	150	100	50	150	100	50	150	100	50	150	100	50	150	100	50	150	100	50	150	100	50	150	100	50
N	6	8	10	12	14	16	18	20	22	24	26	28	30	32	34	36	38	40	42	44	46	48	50	52	54	56	58	60	62	64
M	1	2	3	4	5	6	7	8	9	10	11	12	13	14	15	16	17	18	19	20	21	22	23	24	25	26	27	28	29	30
KG	10	11	12	13	14	15	16	17	18	19	20	21	22	23	24	25	26	27	28	29	30	31	32	33	34	35	36	37	38	39

如有超长行程及定制需求,请咨询我司业务。If you have extra long trip and custom requirements, please consult our business.

RU 电机外置右上 Motor external upper right

单位:Unit:mm



*不含电机重量。*Motor weight not included.

有效行程 Stroke	150	250	350	450	550	650	750	850	950	1050	1150	1250	1350	1450	1550	1650	1750	1850	1950	2050	2150	2250	2350	2450	2550	2650	2750	2850	2950	3050
L	540	640	740	840	940	1040	1140	1240	1340	1440	1540	1640	1740	1840	1940	2040	2140	2240	2340	2440	2540	2640	2740	2840	2940	3040	3140	3240	3340	3440
A	150	100	50	150	100	50	150	100	50	150	100	50	150	100	50	150	100	50	150	100	50	150	100	50	150	100	50	150	100	50
N	6	8	10	12	14	16	18	20	22	24	26	28	30	32	34	36	38	40	42	44	46	48	50	52	54	56	58	60	62	64
M	1	2	3	4	5	6	7	8	9	10	11	12	13	14	15	16	17	18	19	20	21	22	23	24	25	26	27	28	29	30
KG	10	11	12	13	14	15	16	17	18	19	20	21	22	23	24	25	26	27	28	29	30	31	32	33	34	35	36	37	38	39

如有超长行程及定制需求,请咨询我司业务。If you have extra long trip and custom requirements, please consult our business.

MEMO

- HNR-E
- HNB-E**
- HFR
- HNR
- HCR
- HNB
- HCB
- HNT
- XYZ
- 参考资料
Reference data



重复精度
Repeat Accuracy
±0.02 mm

此图仅供参考, 出货规格详见尺寸图面
This drawing is for reference only, Please refer to the size drawing for shipment specifications.

最大行程
Max stroke 3050mm

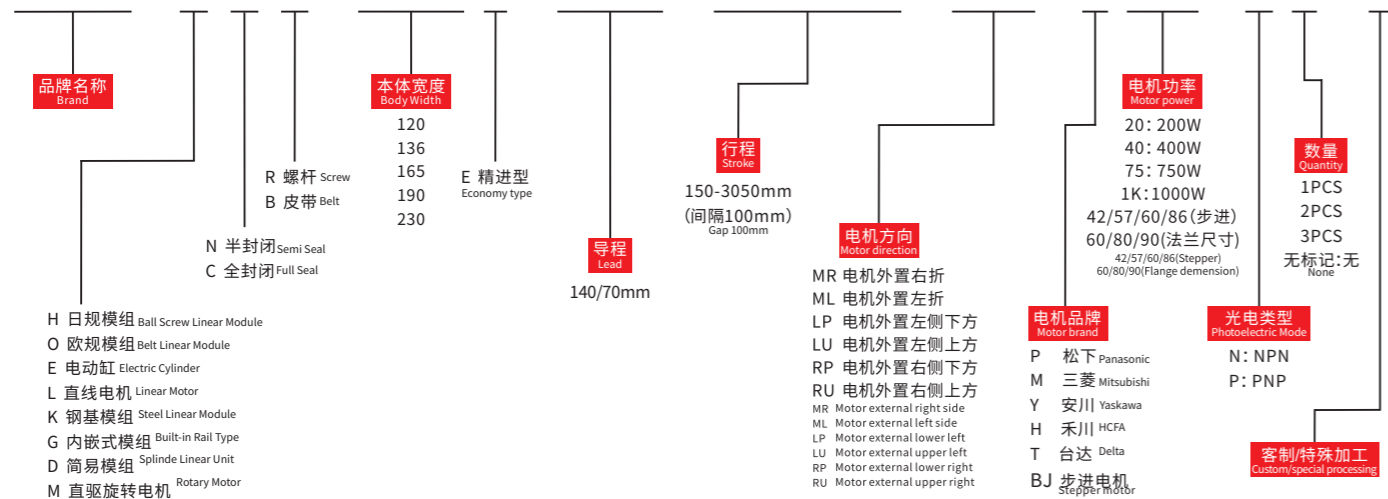
最高速度
Max speed 7000mm/s

马达容量
Motor output 1000W

直线滑轨
Linear guide 25X22-2支

型号表达方式 Ordering method

TPA-HNB-190E-140-L3050-MR-P1K-N3-F

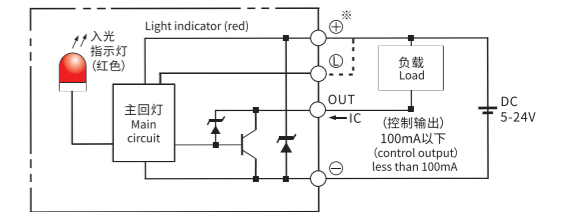


产品性能参数如下 Product performance parameters are as follows

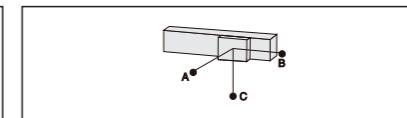
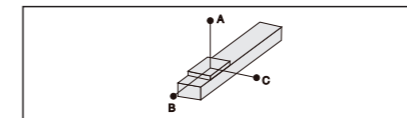
电机功率 (W) Motor power (W)	1000	
重复定位精度 (mm) Repeated positioning accuracy (mm)	±0.04	
减速比 (mm) Reduction ratio	1:1	1:2
规格 Spec	导程 (mm) Lead (mm)	140 70
最高速度 (mm/s) Maximum speed (mm/s)	7000	
电机额定转速 (RPM) Rated speed of motor (RPM)	3000	
最大可搬重量 Maximum Payload	50	100
标准行程 (mm) Stroke pitch (mm)	150~3050mm/100 间隔100 mm Pitch	
部品 Parts	基座材质 Material of base	硬质挤压铝材A1 Hard extruded aluminum A1
使用环境 Operating environment	0~40°C, 85%RH (无凝结) No condensation	

注1: 使用非上述功率电机时请依据实际参数推算。
Note 1: When using a motor with a power other than the above, please calculate according to the actual parameters.
注2: 最高速度因行程和负载而异, 当螺杆菌细长比大于1:50时, 可能会因螺杆菌临界速度产生共振和抖动, 应适当下调运行速度, 一般螺杆菌每增长100mm, 速度应下调10~15%。
Note 2: The maximum speed varies with stroke and load. When the screw slenderness ratio is greater than 1:50, resonance and jitter may occur due to the critical speed of the screw, so the running speed should be reduced appropriately. Generally, the speed should be reduced by 10~15% for every 100mm increase of the screw.

感应器连接图<原点及端点> Sensor layout

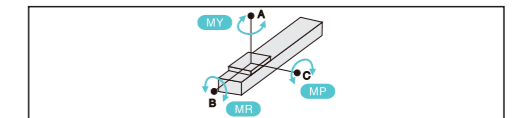


容许负载力矩表 N.m Allowable overhang



(单位Unit:mm)				(单位Unit:mm)			
水平安装 Horizontal installation	A	B	C	侧面安装 Side mounting	A	B	C
负载 Load	45kg	3444	1015	45kg	1410	925	3435
	65kg	2460	725	65kg	1010	664	2455
	85kg	1800	550	85kg	770	500	1886

静态容许负载惯量 Static loading moment



	(单位Unit:N.m)
MY	2052
MP	2052
MR	1810

*力矩表所表示的数据, 代表重心。
The torque value in the chart indicate the center of gravity.
*符合型录规范的正常试用下, 保证寿命为10000公里。
Operation life is 10,000km when the product is using under the specified conditions.
*倒吊使用无法套用标准规范, 如有需求请咨询我司业务。
The standard specification cannot be applied to the use of inverted crane. Please consult our business if necessary.

搭配伺服马达一览表 Suitable motor brand

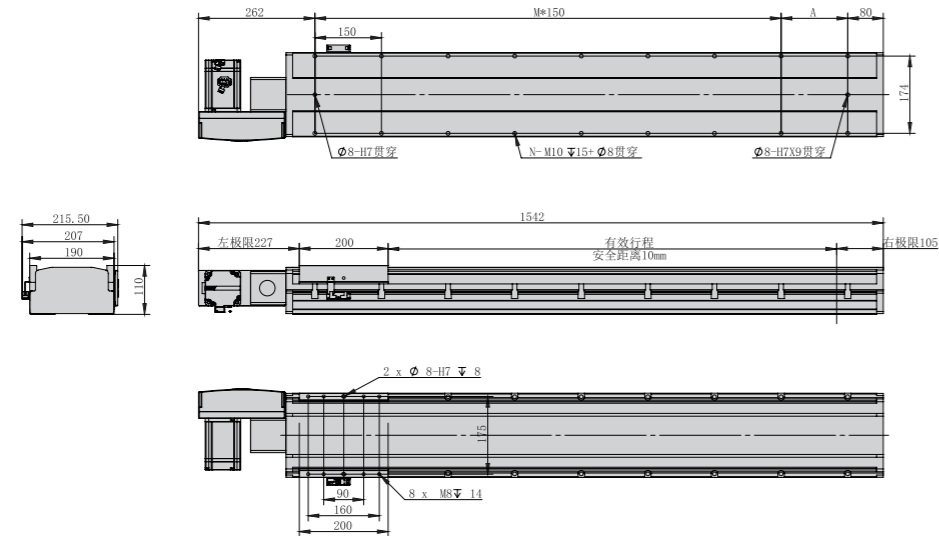
品牌 Brand	马达记号 Mark	刹车有无 Brake	马达容量 Motor capacity	电源电压 AC-Voltage	伺服马达型号 Servo motor model	驱动器型号 Driver Model
三菱 Mitsubishi	M	无刹车(水平式样) No brake (horizontal type)	750	220	HG-KN73J-S100	MR-JE-70A
松下 Panasonic	P	无刹车(水平式样) No brake (horizontal type)	750	220	MHM082L1U2M	MCDLN35SE
台达 Delta	T	无刹车(水平式样) No brake (horizontal type)	750	220	ECM-B3M-C20807SS1	ASD-B3-0721-L



电机外置左侧/电机外置右侧
Motor external left side / Motor external right side

ML 电机外置左侧 Motor external left side

单位:Unit: mm



*不含电机重量。*Motor weight not included.

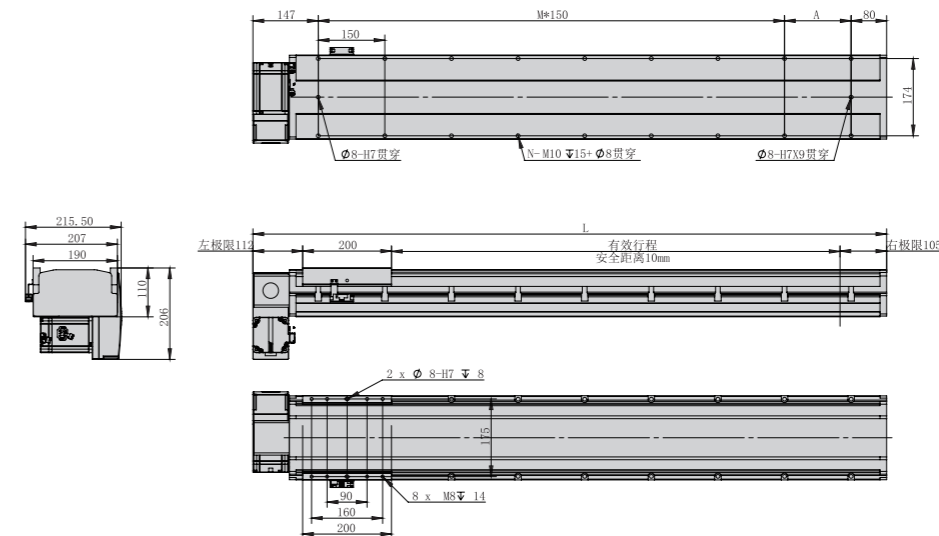
有效行程 Stroke	150	250	350	450	550	650	750	850	950	1050	1150	1250	1350	1450	1550	1650	1750	1850	1950	2050	2150	2250	2350	2450	2550	2650	2750	2850	2950	3050
L	692	792	892	992	1092	1192	1292	1392	1492	1592	1692	1792	1892	1992	2092	2192	2292	2392	2492	2592	2692	2792	2892	2992	3092	3192	3292	3392	3492	3592
A	50	150	50	150	50	150	50	150	50	150	50	150	50	150	50	150	50	150	50	150	50	150	50	150	50	150	50	150	50	150
N	8	8	10	10	12	12	14	14	16	16	18	18	20	20	22	22	24	24	26	26	28	28	30	30	32	32	34	34	36	36
M	2	2	3	3	4	4	5	5	6	6	7	7	8	8	9	9	10	10	11	11	12	12	13	13	14	14	15	15	16	16
KG	12	13.5	15	16.5	18	19.5	21	22.5	24	25.5	27	28.5	30	31.5	33	34.5	36	37.5	39	40.5	42	43.5	45	46.5	48	49.5	51	52.5	54	55.5

如有超长行程及定制需求,请咨询我司业务。If you have extra long trip and custom requirements, please consult our business.

电机外置左下/电机外置左上
Motor external lower left / Motor external upper left

LP 电机外置左下 Motor external lower left

单位:Unit: mm



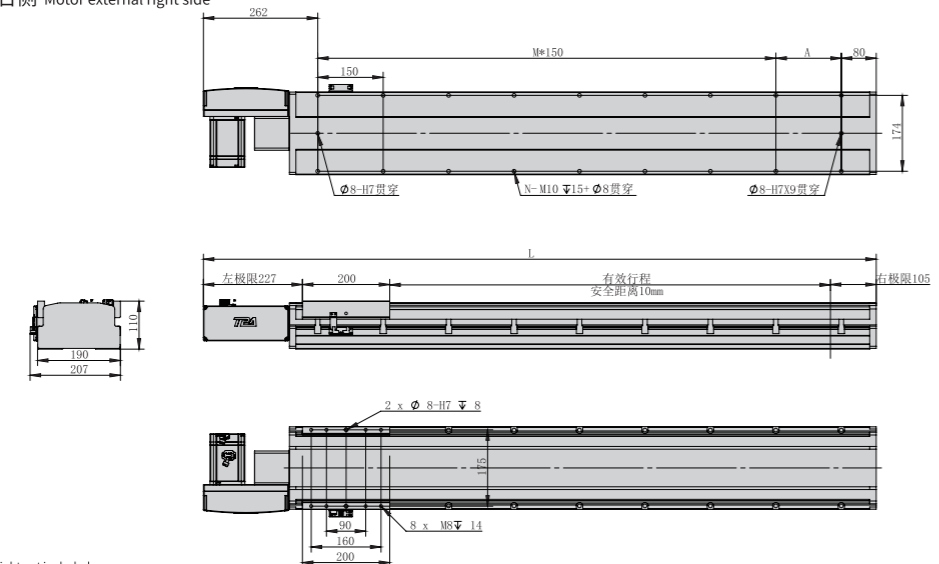
*不含电机重量。*Motor weight not included.

有效行程 Stroke	150	250	350	450	550	650	750	850	950	1050	1150	1250	1350	1450	1550	1650	1750	1850	1950	2050	2150	2250	2350	2450	2550	2650	2750	2850	2950	3050
L	577	677	777	877	977	1077	1177	1277	1377	1477	1577	1677	1777	1877	1977	2077	2177	2277	2377	2477	2577	2677	2777	2877	2977	3077	3177	3277	3377	3477
A	50	150	50	150	50	150	50	150	50	150	50	150	50	150	50	150	50	150	50	150	50	150	50	150	50	150	50	150	50	150
N	8	8	10	10	12	12	14	14	16	16	18	18	20	20	22	22	24	24	26	26	28	28	30	30	32	32	34	34	36	36
M	2	2	3	3	4	4	5	5	6	6	7	7	8	8	9	9	10	10	11	11	12	12	13	13	14	14	15	15	16	16
KG	12	13.5	15	16.5	18	19.5	21	22.5	24	25.5	27	28.5	30	31.5	33	34.5	36	37.5	39	40.5	42	43.5	45	46.5	48	49.5	51	52.5	54	55.5

如有超长行程及定制需求,请咨询我司业务。If you have extra long trip and custom requirements, please consult our business.

MR 电机外置右侧 Motor external right side

单位:Unit: mm



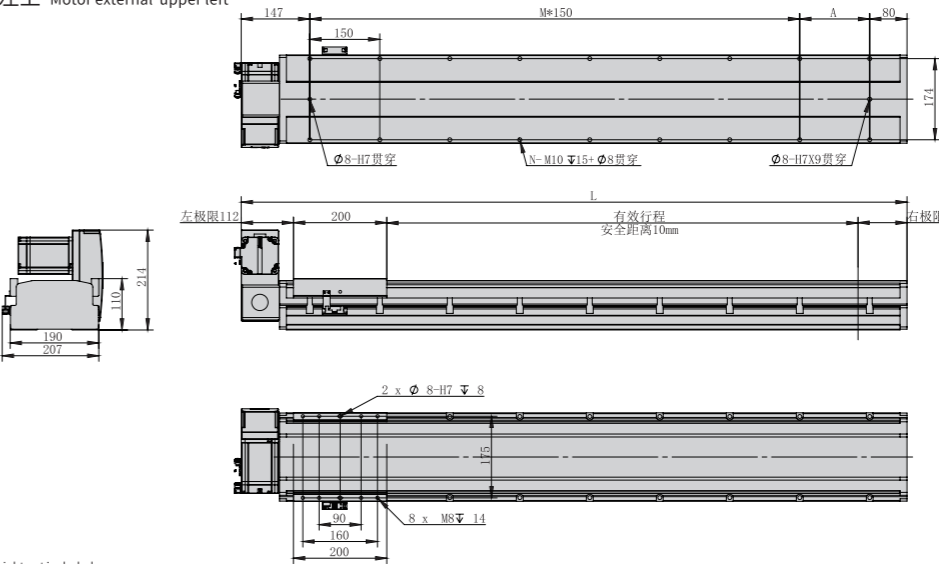
*不含电机重量。*Motor weight not included.

有效行程 Stroke	150	250	350	450	550	650	750	850	950	1050	1150	1250	1350	1450	1550	1650	1750	1850	1950	2050	2150	2250	2350	2450	2550	2650	2750	2850	2950	3050
L	692	792	892	992	1092	1192	1292	1392	1492	1592	1692	1792	1892	1992	2092	2192	2292	2392	2492	2592	2692	2792	2892	2992	3092	3192	3292	3392	3492	3592
A	50	150	50	150	50	150	50	150	50	150	50	150	50	150	50	150	50	150	50	150	50	150	50	150	50	150	50	150	50	150
N	8	8	10	10	12	12	14	14	16	16	18	18	20	20	22	22	24	24	26	26	28	28	30	30	32	32	34	34	36	36
M	2	2	3	3	4	4	5	5	6	6	7	7	8	8	9	9	10	10	11	11	12	12	13	13	14	14	15	15	16	16
KG	12	13.5	15	16.5	18	19.5	21	22.5	24	25.5	27	28.5	30	31.5	33	34.5	36	37.5	39	40.5	42	43.5	45	46.5	48	49.5	51	52.5	54	55.5

如有超长行程及定制需求,请咨询我司业务。If you have extra long trip and custom requirements, please consult our business.

LU 电机外置左上 Motor external upper left

单位:Unit: mm



*不含电机重量。*Motor weight not included.

有效行程 Stroke	150	250	350	450	550	650	750	850	950	1050	1150	1250	1350	1450	1550	1650	1750	1850	1950	2050	2150	2250	2350	2450	2550	2650	2750	2850	2950	3050
L	577	677	777	877	977	1077	1177	1277	1377	1477	1577	1677	1777	1877	1977	2077	2177	2277	2377	2477	2577	2677	2777	2877	2977	3077	3177	3277	3377	3477
A	50	150	50	150	50	150	50	150	50	150	50	150	50	150	50	150	50	150	50	150	50	150	50	150	50	150	50	150	50	150
N	8	8	10	10	12	12	14	14	16	16	18	18	20	20	22	22	24	24	26	26	28	28	30	30	32	32	34	34	36	36
M	2	2	3	3	4	4	5	5	6	6	7	7	8	8	9	9	10	10	11	11	12	12	13	13	14	14	15	15	16	16
KG	12	13.5	15	16.5	18	19.5	21	22.5	24	25.5	27	28.5	30	31.5	33	34.5	36	37.5	39	40.5	42	43.5	45	46.5	48	49.5	51	52.5	54	55.5

如有超长行程及定制需求,请咨询我司业务。If you have extra long trip and custom requirements, please consult our business.

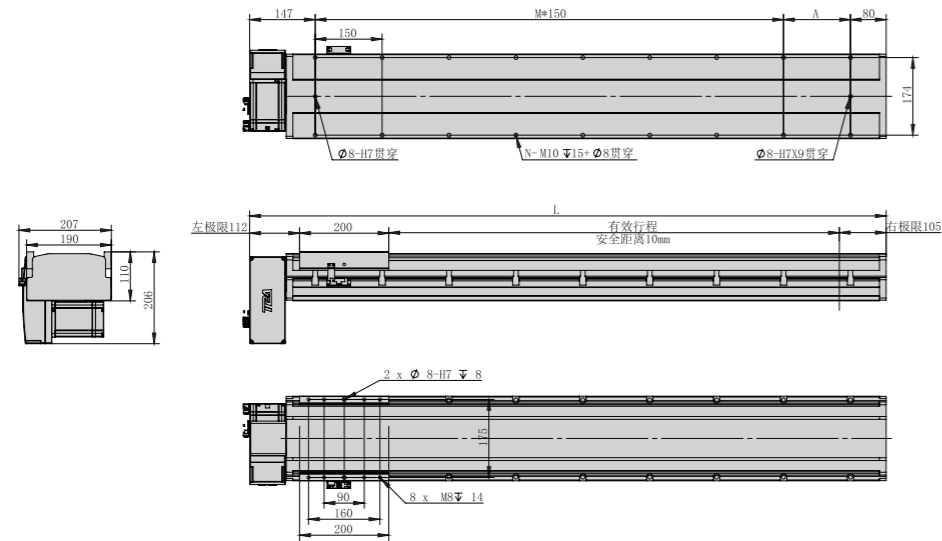
HNR-E
HNB-E
HFR
HNR
HCR
HNB
HCB
HNT
XYZ
参考资料
Reference data



电机外置右下/电机外置右上
Motor external lower right / Motor external upper right

RP 电机外置右下 Motor external lower right

单位:Unit:mm



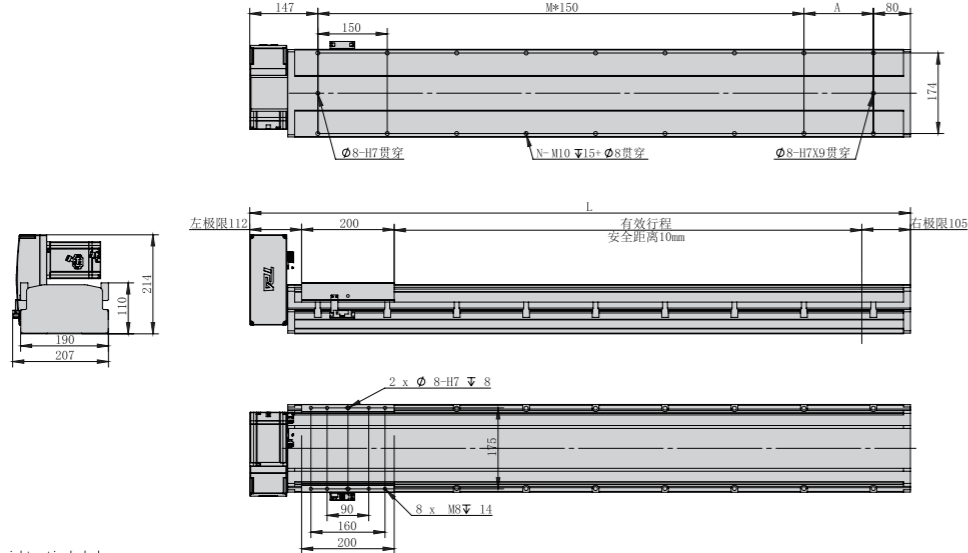
*不含电机重量。*Motor weight not included.

有效行程 Stroke	150	250	350	450	550	650	750	850	950	1050	1150	1250	1350	1450	1550	1650	1750	1850	1950	2050	2150	2250	2350	2450	2550	2650	2750	2850	2950	3050
L	577	677	777	877	977	1077	1177	1277	1377	1477	1577	1677	1777	1877	1977	2077	2177	2277	2377	2477	2577	2677	2777	2877	2977	3077	3177	3277	3377	3477
A	50	150	50	150	50	150	50	150	50	150	50	150	50	150	50	150	50	150	50	150	50	150	50	150	50	150	50	150	50	150
N	8	8	10	10	12	12	14	14	16	16	18	18	20	20	22	22	24	24	26	26	28	28	30	30	32	32	34	34	36	36
M	2	2	3	3	4	4	5	5	6	6	7	7	8	8	9	9	10	10	11	11	12	12	13	13	14	14	15	15	16	16
KG	12	13.5	15	16.5	18	19.5	21	22.5	24	25.5	27	28.5	30	31.5	33	34.5	36	37.5	39	40.5	42	43.5	45	46.5	48	49.5	51	52.5	54	55.5

如有超长行程及定制需求,请咨询我司业务。If you have extra long trip and custom requirements, please consult our business.

RU 电机外置右上 Motor external upper right

单位:Unit:mm



*不含电机重量。*Motor weight not included.

有效行程 Stroke	150	250	350	450	550	650	750	850	950	1050	1150	1250	1350	1450	1550	1650	1750	1850	1950	2050	2150	2250	2350	2450	2550	2650	2750	2850	2950	3050
L	577	677	777	877	977	1077	1177	1277	1377	1477	1577	1677	1777	1877	1977	2077	2177	2277	2377	2477	2577	2677	2777	2877	2977	3077	3177	3277	3377	3477
A	50	150	50	150	50	150	50	150	50	150	50	150	50	150	50	150	50	150	50	150	50	150	50	150	50	150	50	150	50	150
N	8	8	10	10	12	12	14	14	16	16	18	18	20	20	22	22	24	24	26	26	28	28	30	30	32	32	34	34	36	36
M	2	2	3	3	4	4	5	5	6	6	7	7	8	8	9	9	10	10	11	11	12	12	13	13	14	14	15	15	16	16
KG	12	13.5	15	16.5	18	19.5	21	22.5	24	25.5	27	28.5	30	31.5	33	34.5	36	37.5	39	40.5	42	43.5	45	46.5	48	49.5	51	52.5	54	55.5

如有超长行程及定制需求,请咨询我司业务。If you have extra long trip and custom requirements, please consult our business.

MEMO

- HNR-E
- HNB-E
- HFR
- HNR
- HCR
- HNB
- HCB
- HNT
- XYZ
- 参考资料
Reference data



重复精度
Repeat Accuracy
±0.02 mm

此图仅供参考, 出货规格详见尺寸图面
This drawing is for reference only, Please refer to the size drawing for shipment specifications.

最大行程 Max stroke 3050mm

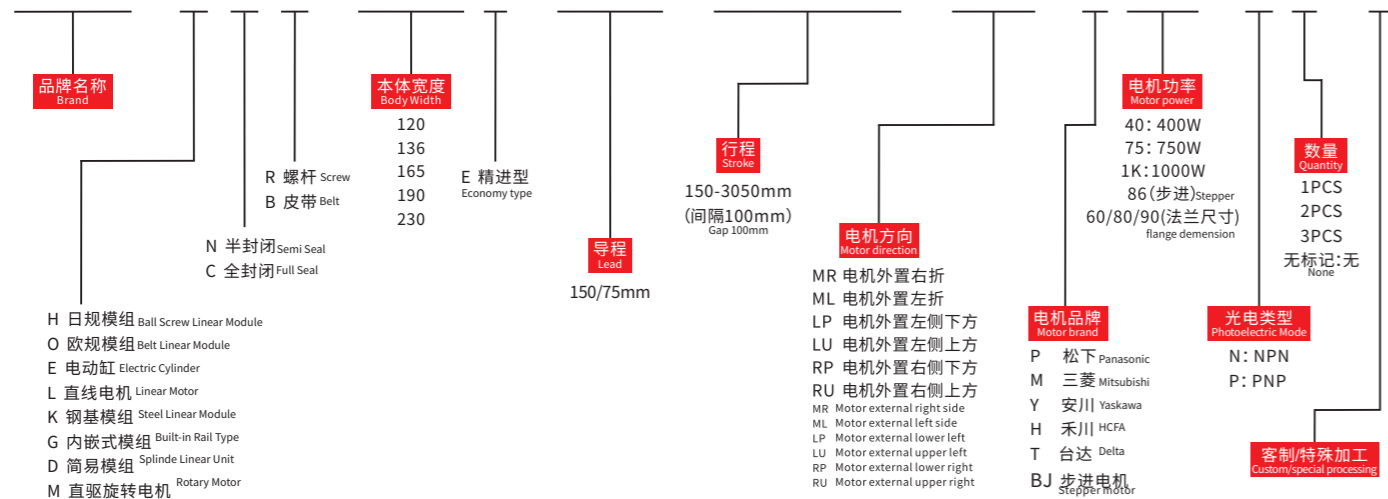
最高速度 Max speed 7500mm/s

马达容量 Motor output 1000W

直线滑轨 Linear guide 25X22-2支

型号表达方式 Ordering method

TPA-HNB-230E-150-L3050-MR-P1K-N3-F



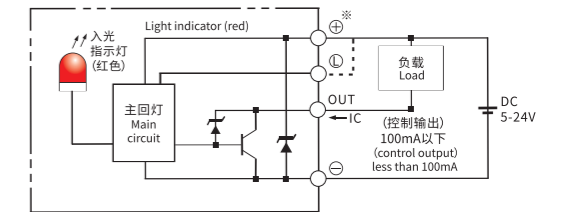
产品性能参数如下 Product performance parameters are as follows

电机功率 (W) Motor power (W)	1000	
重复定位精度 (mm) Repeated positioning accuracy (mm)	±0.04	
减速比 (mm) Reduction ratio	1:1	1:2
规格 Spec	导程 (mm) Lead (mm)	150 75
最高速度 (mm/s) Maximum speed (mm/s)	7500	
电机额定转速 (RPM) Rated speed of motor (RPM)	3000	
最大可搬重量 Maximum Payload	70	140
标准行程 (mm) Stroke pitch (mm)	150~3050mm/100 间隔100 mm Pitch	
部品 Parts	基座材质 Material of base	硬质挤压铝材A1 Hard extruded aluminum A1
使用环境 Operating environment	0~40°C, 85%RH (无凝结) No condensation	

注1: 使用非上述功率电机时请依据实际参数推算。
Note 1: When using a motor with a power other than the above, please calculate according to the actual parameters.

注2: 最高速度因行程和负载而异, 当螺杆细长比大于1:50时, 可能会因螺杆临界速度产生共振和抖动, 应适当下调运行速度, 一般螺杆每增长100mm, 速度应下调10~15%。
Note 2: The maximum speed varies with stroke and load. When the screw slenderness ratio is greater than 1:50, resonance and jitter may occur due to the critical speed of the screw, so the running speed should be reduced appropriately. Generally, the speed should be reduced by 10~15% for every 100mm increase of the screw.

感应器连接图<原点及端点> Sensor layout



容许负载力矩表 N.m Allowable overhang

		(单位Unit:mm)			(单位Unit:mm)				
		水平安装 Horizontal installation			侧面安装 Side mounting				
		A	B	C	A	B	C		
负载 Load	90kg	1579	605	336	负载 Load	90kg	485	682	1783
	115kg	1136	328	283		115kg	318	420	1136
	140kg	771	269	210		140kg	205	281	772

静态容许负载惯量 Static loading moment

		(单位Unit:N.m)
MY		3223
MP		3223
MR		2843

*力矩表所表示的数据, 代表重心。
The torque value in the chart indicate the center of gravity.

*符合型录规范的正常试用下, 保证寿命为10000公里。
Operation life is 10,000km when the product is using under the specified conditions.

*倒吊使用无法套用标准规范, 如有需求请咨询我司业务。
The standard specification cannot be applied to the use of inverted crane. Please consult our business if necessary.

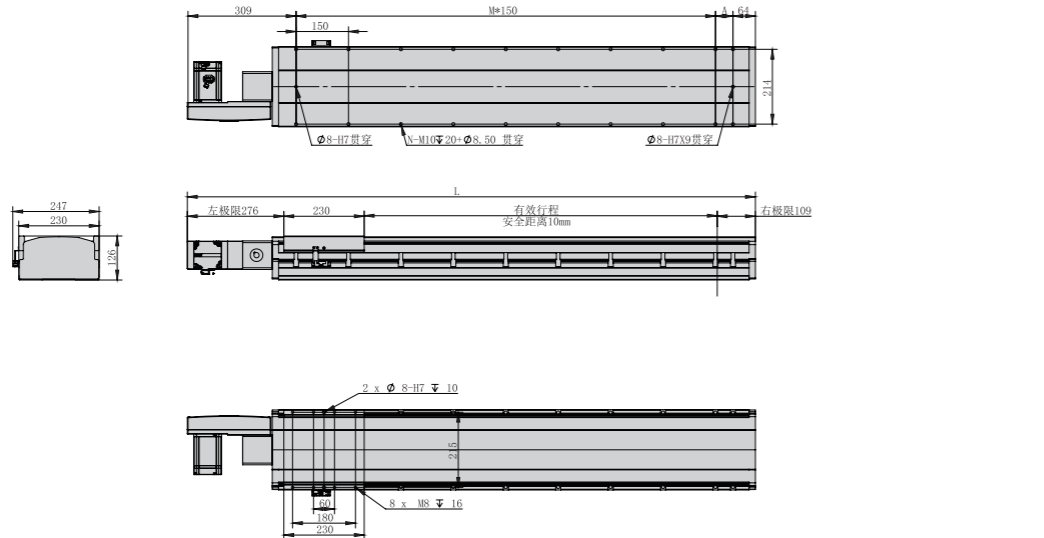
搭配伺服马达一览表 Suitable motor brand

品牌 Brand	马达记号 Mark	刹车有无 Brake	马达容量 Motor capacity	电源电压 AC-Voltage	伺服马达型号 Servo motor model	驱动器型号 Driver Model
三菱 Mitsubishi	M	无刹车(水平式样) No brake (horizontal type)	750	220	HG-KN73J-S100	MR-JE-70A
松下 Panasonic	P	无刹车(水平式样) No brake (horizontal type)	750	220	MHMF082L1U2M	MCDLN35SE
台达 Delta	T	无刹车(水平式样) No brake (horizontal type)	750	220	ECM-B3M-C20807SS1	ASD-B3-0721-L



电机外置左侧/电机外置右侧
Motor external left side / Motor external right side

ML 电机外置左侧 Motor external left side



单位:Unit: mm

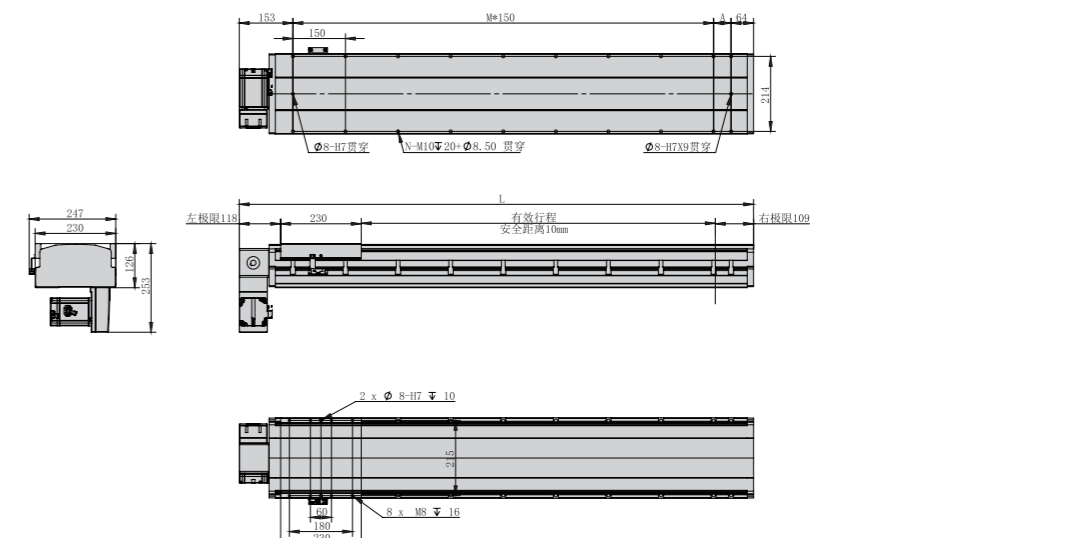
*不含电机重量。*Motor weight not included.

有效行程 Stroke	150	250	350	450	550	650	750	850	950	1050	1150	1250	1350	1450	1550	1650	1750	1850	1950	2050	2150	2250	2350	2450	2550	2650	2750	2850	2950	3050
L	775	875	975	1075	1175	1275	1375	1475	1575	1675	1775	1875	1975	2075	2175	2275	2375	2475	2575	2675	2775	2875	2975	3075	3175	3275	3375	3475	3575	3675
A	100	150	50	100	150	50	100	150	50	100	150	50	100	150	50	100	150	50	100	150	50	100	150	50	100	150	50	100	150	50
N	8	10	12	14	16	18	20	22	24	26	28	30	32	34	36	38	40	42	44	46	48	50	52	54	56	58	60	62	64	66
M	2	3	4	5	6	7	8	9	10	11	12	13	14	15	16	17	18	19	20	21	22	23	24	25	26	27	28	29	30	31
KG	13.5	15.5	17.5	19.5	21.5	23.5	25.5	27.5	29.5	31.5	33.5	35.5	37.5	39.5	41.5	43.5	45.5	47.5	49.5	51.5	53.5	55.5	57.5	59.5	61.5	63.5	65.5	67.5	69.5	71.5

如有超长行程及定制需求,请咨询我司业务。If you have extra long trip and custom requirements, please consult our business.

电机外置左下/电机外置左上
Motor external lower left / Motor external upper left

LP 电机外置左下 Motor external lower left



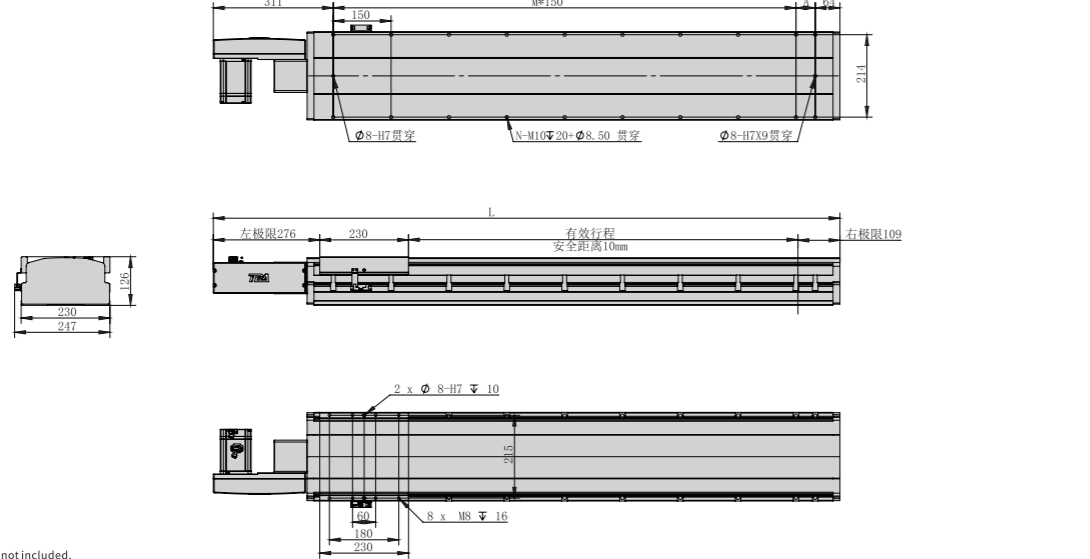
单位:Unit: mm

*不含电机重量。*Motor weight not included.

有效行程 Stroke	150	250	350	450	550	650	750	850	950	1050	1150	1250	1350	1450	1550	1650	1750	1850	1950	2050	2150	2250	2350	2450	2550	2650	2750	2850	2950	3050
L	617	717	817	917	1017	1117	1217	1317	1417	1517	1617	1717	1817	1917	2017	2117	2217	2317	2417	2517	2617	2717	2817	2917	3017	3117	3217	3317	3417	3517
A	100	150	50	100	150	50	100	150	50	100	150	50	100	150	50	100	150	50	100	150	50	100	150	50	100	150	50	100	150	50
N	8	10	12	14	16	18	20	22	24	26	28	30	32	34	36	38	40	42	44	46	48	50	52	54	56	58	60	62	64	66
M	2	3	4	5	6	7	8	9	10	11	12	13	14	15	16	17	18	19	20	21	22	23	24	25	26	27	28	29	30	31
KG	15	17	19	21	23	25	27	29	31	33	35	37	39	41	43	45	47	49	51	53	55	57	59	61	63	65	67	69	71	73

如有超长行程及定制需求,请咨询我司业务。If you have extra long trip and custom requirements, please consult our business.

MR 电机外置右侧 Motor external right side



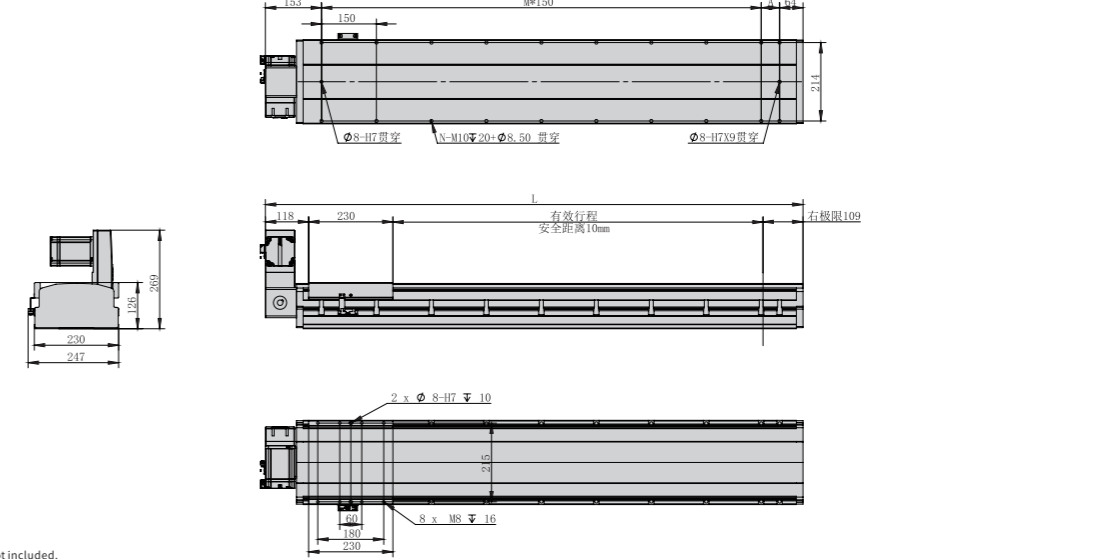
单位:Unit: mm

*不含电机重量。*Motor weight not included.

有效行程 Stroke	150	250	350	450	550	650	750	850	950	1050	1150	1250	1350	1450	1550	1650	1750	1850	1950	2050	2150	2250	2350	2450	2550	2650	2750	2850	2950	3050
L	775	875	975	1075	1175	1275	1375	1475	1575	1675	1775	1875	1975	2075	2175	2275	2375	2475	2575	2675	2775	2875	2975	3075	3175	3275	3375	3475	3575	3675
A	100	150	50	100	150	50	100	150	50	100	150	50	100	150	50	100	150	50	100	150	50	100	150	50	100	150	50	100	150	50
N	8	10	12	14	16	18	20	22	24	26	28	30	32	34	36	38	40	42	44	46	48	50	52	54	56	58	60	62	64	66
M	2	3	4	5	6	7	8	9	10	11	12	13	14	15	16	17	18	19	20	21	22	23	24	25	26	27	28	29	30	31
KG	13.5	15.5	17.5	19.5	21.5	23.5	25.5	27.5	29.5	31.5	33.5	35.5	37.5	39.5	41.5	43.5	45.5	47.5	49.5	51.5	53.5	55.5	57.5	59.5	61.5	63.5	65.5	67.5	69.5	71.5

如有超长行程及定制需求,请咨询我司业务。If you have extra long trip and custom requirements, please consult our business.

LU 电机外置左上 Motor external upper left



单位:Unit: mm

*不含电机重量。*Motor weight not included.

有效行程 Stroke	150	250	350	450	550	650	750	850	950	1050	1150	1250	1350	1450	1550	1650	1750	1850	1950	2050	2150	2250	2350	2450	2550	2650	2750	2850	2950	3050
L	617	717	817	917	1017	1117	1217	1317	1417	1517	1617	1717	1817	1917	2017	2117	2217	2317	2417	2517	2617	2717	2817	2917	3017	3117	3217	3317	3417	3517
A	100	150	50	100	150	50	100	150	50	100	150	50	100	150	50	100	150	50	100	150	50	100	150	50	100	150	50	100	150	50
N	8	10	12	14	16	18	20	22	24	26	28	30	32	34	36	38	40	42	44	46	48	50	52	54	56	58	60	62	64	66
M	2	3	4	5	6	7	8	9	10	11	12	13	14	15	16	17	18	19	20	21	22	23	24	25	26	27	28	29	30	31
KG	15	17	19	21	23	25	27	29	31	33	35	37	39	41	43	45	47	49	51	53	55	57	59	61	63	65	67	69	71	73

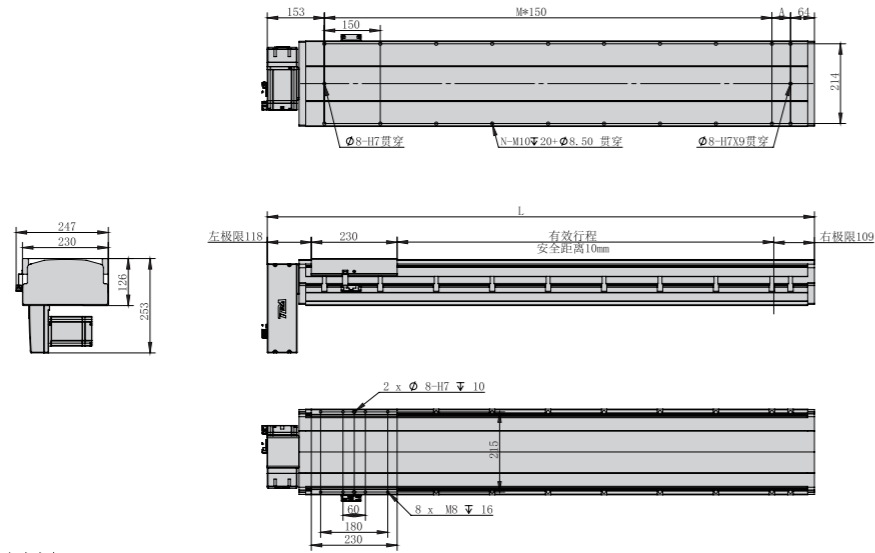
如有超长行程及定制需求,请咨询我司业务。If you have extra long trip and custom requirements, please consult our business.



电机外置右下/电机外置右上
Motor external lower right / Motor external upper right

RP 电机外置右下 Motor external lower right

单位:Unit:mm



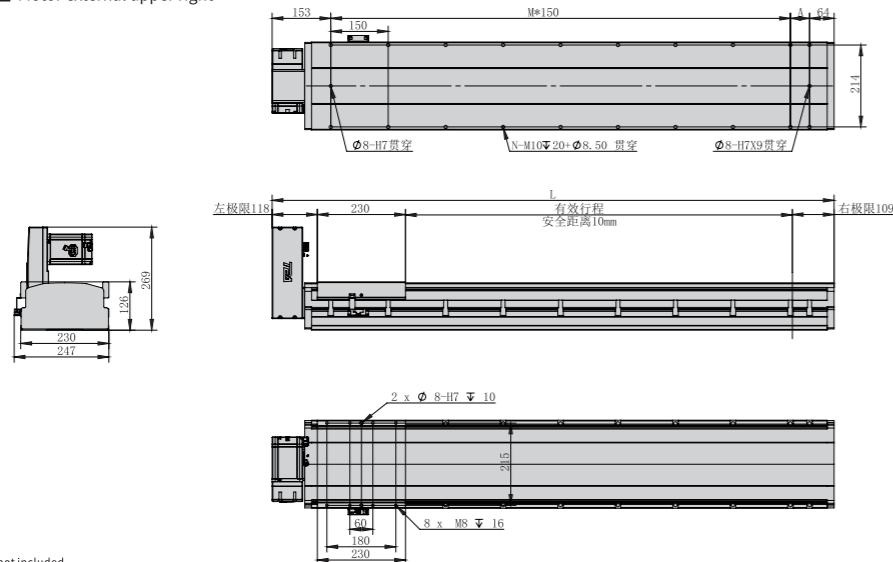
*不含电机重量。*Motor weight not included.

有效行程 Stroke	150	250	350	450	550	650	750	850	950	1050	1150	1250	1350	1450	1550	1650	1750	1850	1950	2050	2150	2250	2350	2450	2550	2650	2750	2850	2950	3050
L	617	717	817	917	1017	1117	1217	1317	1417	1517	1617	1717	1817	1917	2017	2117	2217	2317	2417	2517	2617	2717	2817	2917	3017	3117	3217	3317	3417	3517
A	100	150	50	100	150	50	100	150	50	100	150	50	100	150	50	100	150	50	100	150	50	100	150	50	100	150	50	100	150	50
N	8	10	12	14	16	18	20	22	24	26	28	30	32	34	36	38	40	42	44	46	48	50	52	54	56	58	60	62	64	66
M	2	3	4	5	6	7	8	9	10	11	12	13	14	15	16	17	18	19	20	21	22	23	24	25	26	27	28	29	30	31
KG	15	17	19	21	23	25	27	29	31	33	35	37	39	41	43	45	47	49	51	53	55	57	59	61	63	65	67	69	71	73

如有超长行程及定制需求,请咨询我司业务。If you have extra long trip and custom requirements, please consult our business.

RU 电机外置右上 Motor external upper right

单位:Unit:mm



*不含电机重量。*Motor weight not included.

有效行程 Stroke	150	250	350	450	550	650	750	850	950	1050	1150	1250	1350	1450	1550	1650	1750	1850	1950	2050	2150	2250	2350	2450	2550	2650	2750	2850	2950	3050
L	617	717	817	917	1017	1117	1217	1317	1417	1517	1617	1717	1817	1917	2017	2117	2217	2317	2417	2517	2617	2717	2817	2917	3017	3117	3217	3317	3417	3517
A	100	150	50	100	150	50	100	150	50	100	150	50	100	150	50	100	150	50	100	150	50	100	150	50	100	150	50	100	150	50
N	8	10	12	14	16	18	20	22	24	26	28	30	32	34	36	38	40	42	44	46	48	50	52	54	56	58	60	62	64	66
M	2	3	4	5	6	7	8	9	10	11	12	13	14	15	16	17	18	19	20	21	22	23	24	25	26	27	28	29	30	31
KG	15	17	19	21	23	25	27	29	31	33	35	37	39	41	43	45	47	49	51	53	55	57	59	61	63	65	67	69	71	73

如有超长行程及定制需求,请咨询我司业务。If you have extra long trip and custom requirements, please consult our business.

MEMO

HNR-E

HNB-E

HFR

HNR

HCR

HNB

HCB

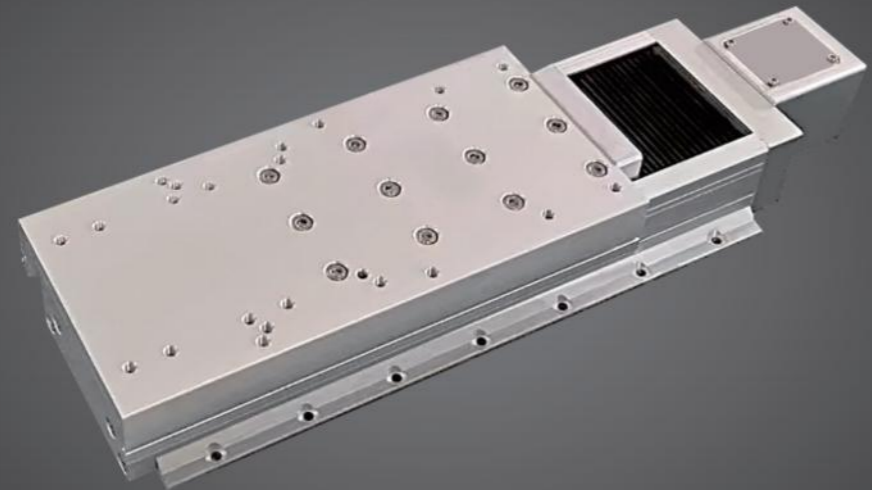
HNT

XYZ

参考资料
Reference
data



重复精度
Repeat Accuracy
±0.02 mm



此图仅供参考, 出货规格详见尺寸图面
This drawing is for reference only, Please refer to the size drawing for shipment specifications.

最大行程
Max stroke 100~500mm

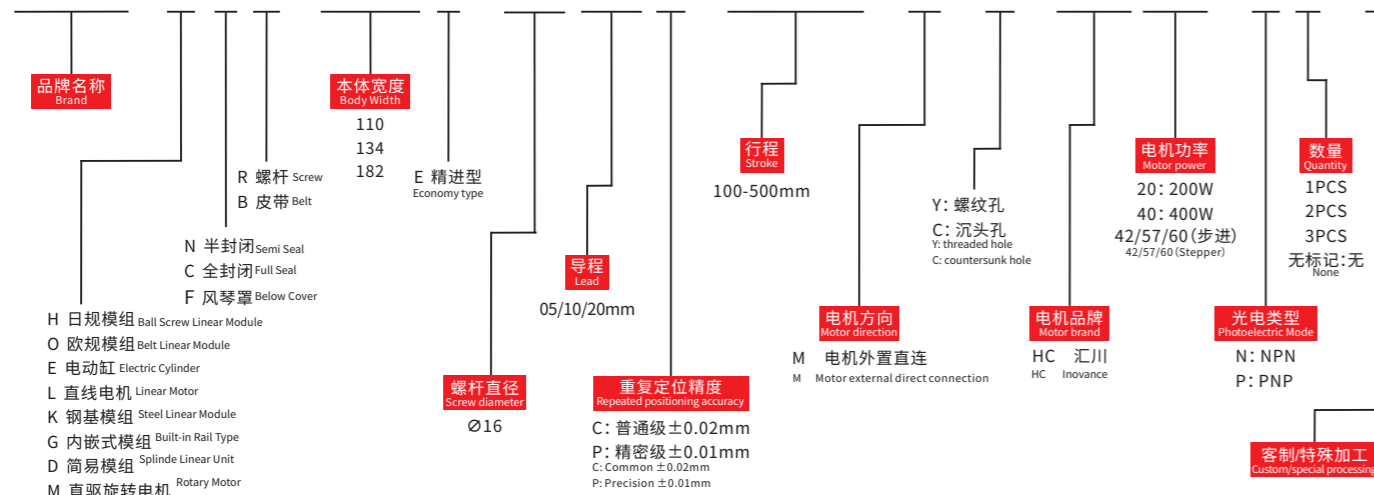
最高速度
Max speed 1000mm/s

激光切割头
Laser cutting head 500~3000W

滚珠螺杆
Ball screw Ø16mm

型号表达方式 Ordering method

TPA-HFR-110E-1610C-L100-M-C-HC40-N3-F



产品性能参数如下 Product performance parameters are as follows

驱动功率 (W) Driving power (W)	200/400/750(其它)		
负载力矩 (N.m) Load torque (N.m)	Mx:50 My:70 Mz: 70		
重复定位精度 (mm) Repeated positioning accuracy (mm)	C级±0.02 P级±0.01		
滚珠螺杆导程 (mm) Ball screw lead (mm)	5	10	20
最高速度 (mm/s) Maximum speed (mm/s)	250	500	1000
最大可搬重量 Maximum Payload	水平使用 (kg) Horizontal (kg)	60	50
	垂直使用 (kg) Vertical (kg)	40	35
行程范围 (mm) Range of travel (mm)	100~500mm 区间 section		
滚珠螺杆外径 (mm) Ball screw Ø (mm)	Ø16		
基座材质 Material of base	硬质挤压铝材, 本色光泽 Hard extruded aluminum, natural luster		
安装面精度要求 (mm) Accuracy requirements of installation surface (mm)	安装面0.05mm以下 Installation surface below 0.05mm		
防尘设计 Dustproof design	风琴罩全密封, 可在恶劣环境中使用 The organ cover is completely sealed and can be used in harsh environment.		

注意:

- 1、最高速度因行程和负载而异, 当行程大于600mm时, 允许最高速度将适当下调。
- 2、定位精度可能与马达的定位精度有关。当使用非伺服马达驱动时, 定位精度值请参照对应的马达技术参数。
- 3、搬运重量和力矩值请保证在许用范围内。
- 4、默认原点位置为靠近马达侧, 如需变更, 请另行说明。

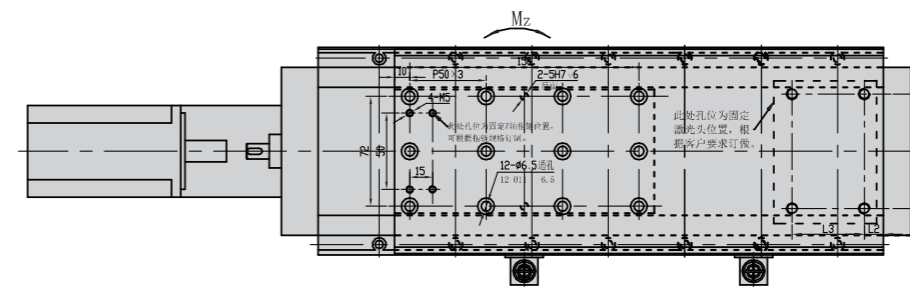
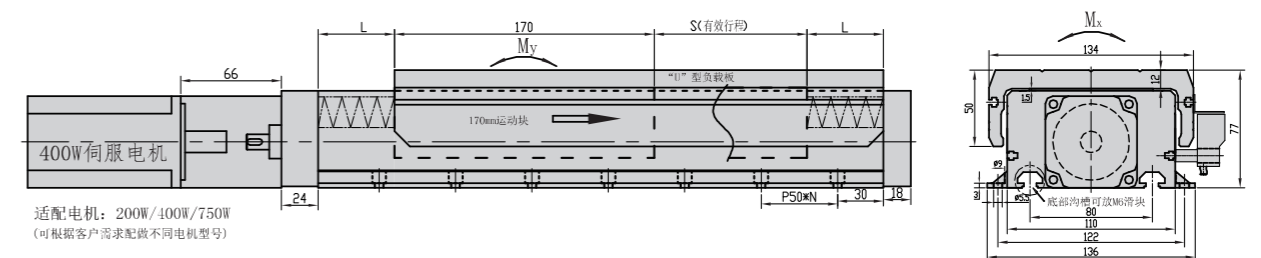
Note:

1. The maximum speed varies with the stroke and load. When the stroke is greater than 600mm, the allowable maximum speed will be lowered appropriately.
2. The positioning accuracy may be related to the positioning accuracy of the motor. When using non-servo motor drive, please refer to the corresponding motor technical parameters for the positioning accuracy value.
3. Please ensure that the handling weight and torque are within the allowable range.
4. The default origin position is near the motor side. Please specify otherwise if it needs to be changed.

外形尺寸图

Outline dimensional drawing

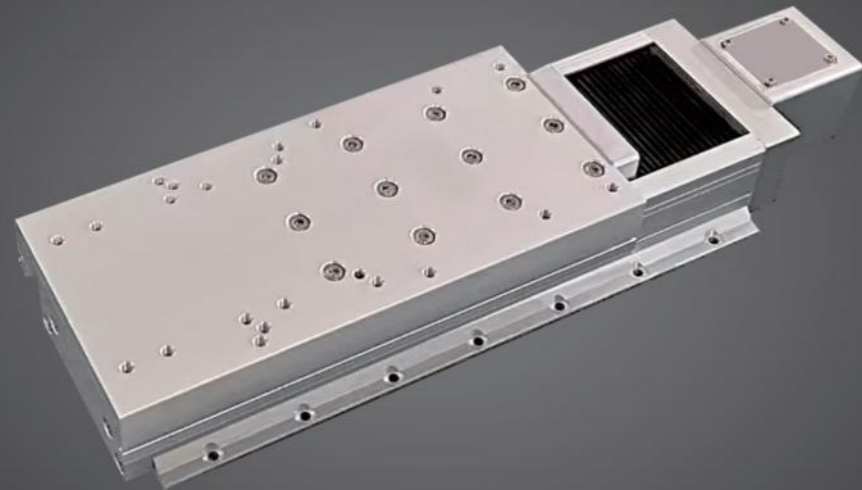
M 电机外置直连 Motor external direct connection 单位: Unit: mm



有效行程 Stroke	100	150	200	250	300	350
L	35	35	45	50	50	60



重复精度
Repeat Accuracy
 ± 0.02
mm



此图仅供参考, 出货规格详见尺寸图面
This drawing is for reference only, Please refer to the size drawing for shipment specifications.

最大行程
Max stroke 100~500mm

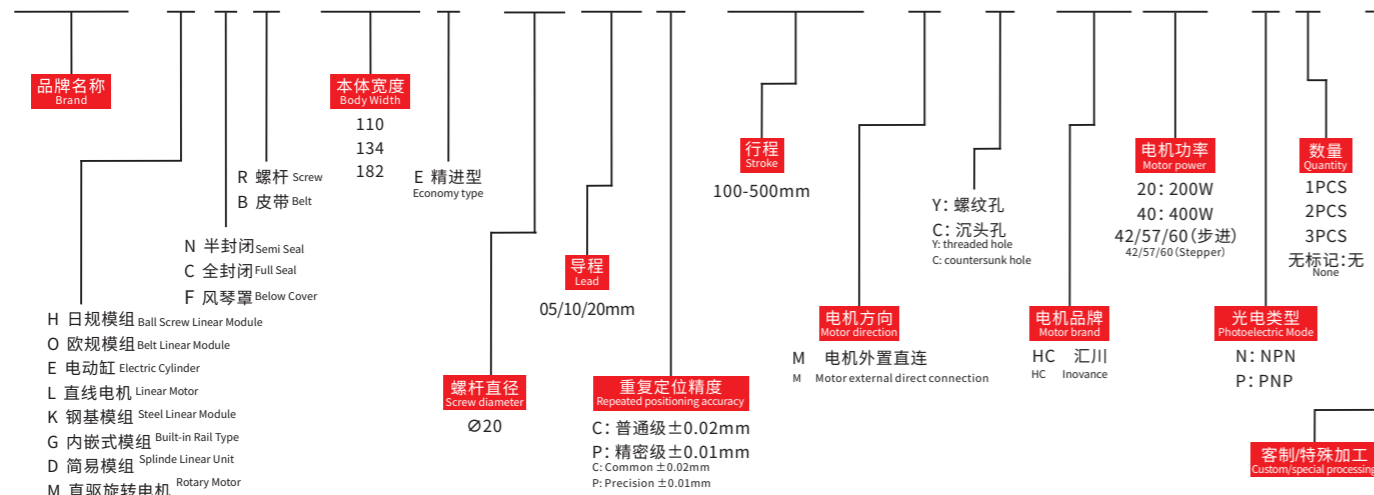
最高速度
Max speed 1000mm/s

激光切割头
Laser cutting head 3000~6000W

滚珠螺杆
Ball screw $\varnothing 20$ mm

型号表达方式 Ordering method

TPA-HFR-134E-2010C-L100-M-C-HC40-N3-F



产品性能参数如下 Product performance parameters are as follows

驱动功率 (W) Driving power (W)	400/750(其它)		
负载力矩 (N.m) Load torque (N.m)	Mx:60 My:90 Mz: 76		
重复定位精度 (mm) Repeated positioning accuracy (mm)	C级 ± 0.02 P级 ± 0.01		
滚珠螺杆导程 (mm) Ball screw lead (mm)	5	10	20
最高速度 (mm/s) Maximum speed (mm/s)	250	500	1000
最大可搬重量 Maximum Payload	水平使用 (kg) Horizontal (kg)	80	60
	垂直使用 (kg) Vertical (kg)	40	30
行程范围 (mm) Range of travel (mm)	100~500mm 区间 section		
滚珠螺杆外径 (mm) Ball screw \varnothing (mm)	$\varnothing 20$		
底座材质 Material of base	硬质挤压铝材, 本色光泽 Hard extruded aluminum, natural luster		
安装面精度要求 (mm) Accuracy requirements of installation surface (mm)	安装面 0.05mm 以下 Installation surface below 0.05mm		
防尘设计 Dustproof design	风琴罩全密封, 可在恶劣环境中使用 The organ cover is completely sealed and can be used in harsh environment.		

注意:

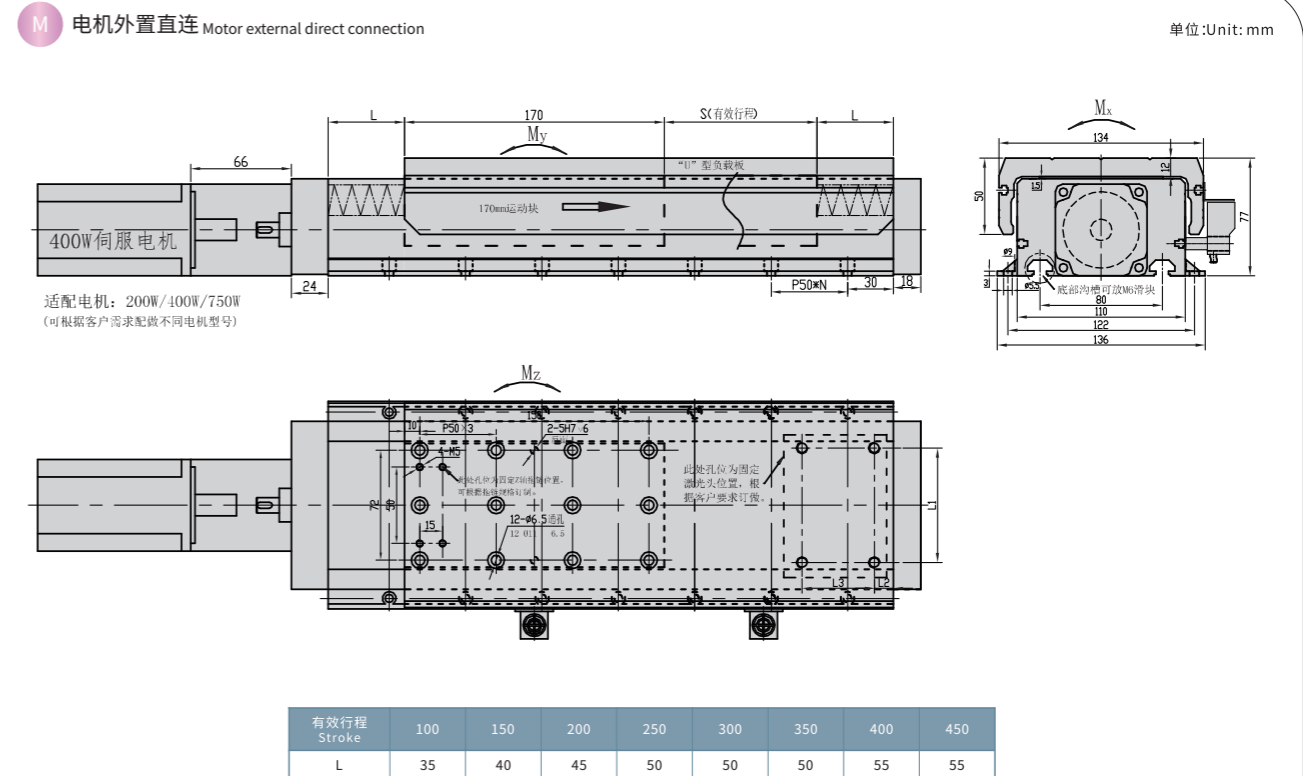
1. 最高速度因行程和负载而异, 当行程大于600mm时, 允许最高速度将适当下调。
2. 定位精度可能与马达的定位精度有关。当使用非伺服马达驱动时, 定位精度值请参照对应的马达技术参数。
3. 搬运重量和力矩值请保证在许用范围内。
4. 默认原点位置为靠近马达侧, 如需变更, 请另行说明。

Note:

1. The maximum speed varies with the stroke and load. When the stroke is greater than 600mm, the allowable maximum speed will be lowered appropriately.
2. The positioning accuracy may be related to the positioning accuracy of the motor. When using non-servo motor drive, please refer to the corresponding motor technical parameters for the positioning accuracy value.
3. Please ensure that the handling weight and torque are within the allowable range.
4. The default origin position is near the motor side. Please specify otherwise if it needs to be changed.

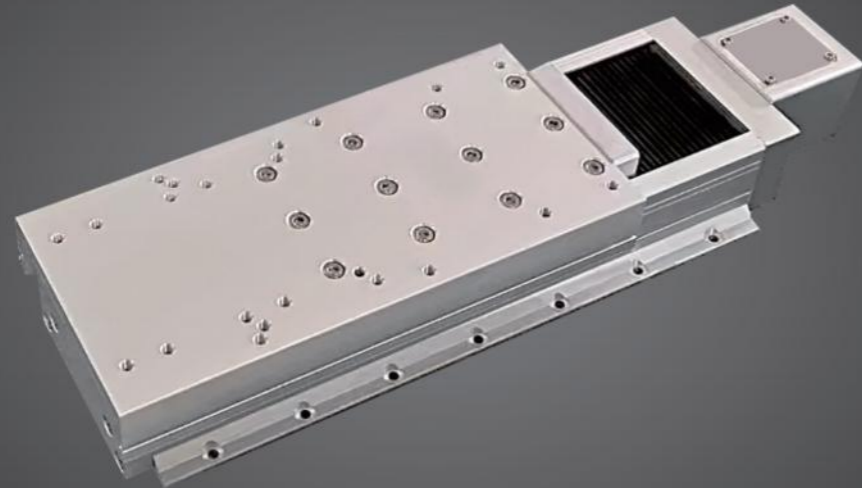
外形尺寸图

Outline dimensional drawing





重复精度
Repeat Accuracy
±0.02 mm



此图仅供参考, 出货规格详见尺寸图面
This drawing is for reference only, Please refer to the size drawing for shipment specifications.

最大行程
Max stroke 100~500mm

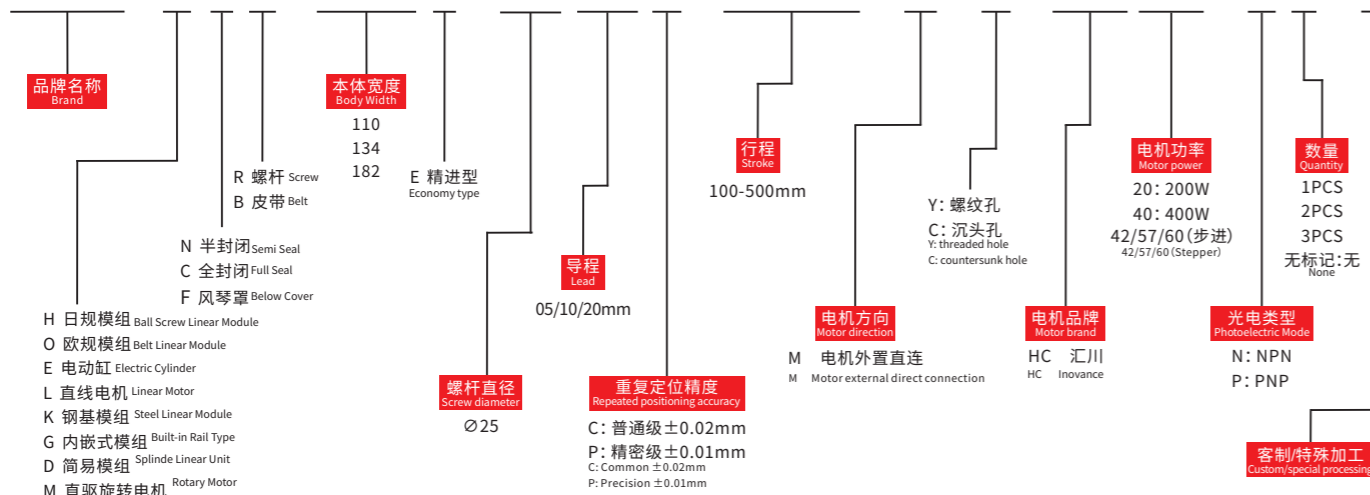
最高速度
Max speed 1000mm/s

激光切割头
Laser cutting head 6000~20000W

滚珠螺杆
Ball screw Ø25mm

型号表达方式 Ordering method

TPA-HFR-182E-2510C-L100-M-C-HC40-N3-F



产品性能参数如下 Product performance parameters are as follows

驱动功率 (W) Driving power (W)	400/750(其它)		
负载力矩 (N.m) Load torque (N.m)	Mx:110 My:150 Mz: 120		
重复定位精度 (mm) Repeated positioning accuracy (mm)	C级±0.02 P级±0.01		
滚珠螺杆导程 (mm) Ball screw lead (mm)	5	10	20
最高速度 (mm/s) Maximum speed (mm/s)	250	500	1000
最大可搬重量 Maximum Payload	水平使用 (kg) Horizontal (kg)	200	160
	垂直使用 (kg) Vertical (kg)	120	80
行程范围 (mm) Range of travel (mm)	100~500mm 区间 section		
滚珠螺杆外径 (mm) Ball screw Ø (mm)	Ø25		
基座材质 Material of base	硬质挤压铝材, 本色光泽 Hard extruded aluminum, natural luster		
安装面精度要求 (mm) Accuracy requirements of installation surface (mm)	安装面0.05mm以下 Installation surface below 0.05mm		
防尘设计 Dustproof design	风琴罩全密封, 可在恶劣环境中使用 The organ cover is completely sealed and can be used in harsh environment.		

注意:

1. 最高速度因行程和负载而异, 当行程大于600mm时, 允许最高速度将适当下调。
2. 定位精度可能与马达的定位精度有关。当使用非伺服马达驱动时, 定位精度值请参照对应的马达技术参数。
3. 搬运重量和力矩值请保证在许用范围内。
4. 默认原点位置为靠近马达侧, 如需变更, 请另行说明。

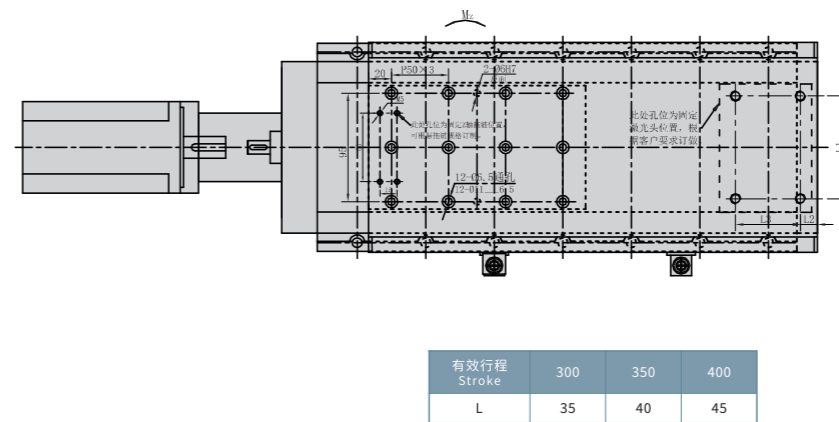
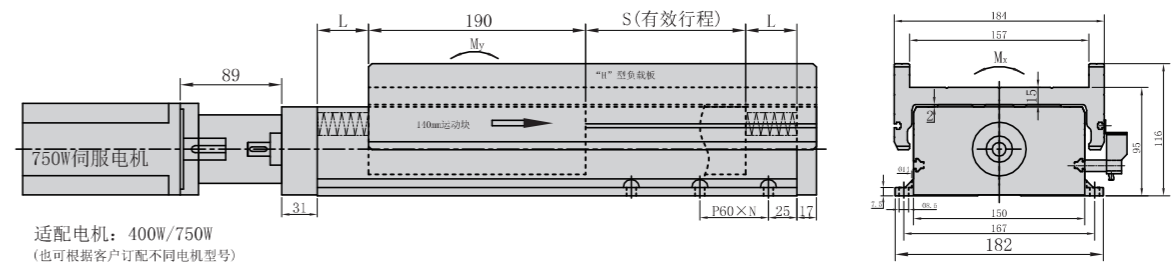
Note:

1. The maximum speed varies with the stroke and load. When the stroke is greater than 600mm, the allowable maximum speed will be lowered appropriately.
2. The positioning accuracy may be related to the positioning accuracy of the motor. When using non-servo motor drive, please refer to the corresponding motor technical parameters for the positioning accuracy value.
3. Please ensure that the handling weight and torque are within the allowable range.
4. The default origin position is near the motor side. Please specify otherwise if it needs to be changed.

外形尺寸图

Outline dimensional drawing

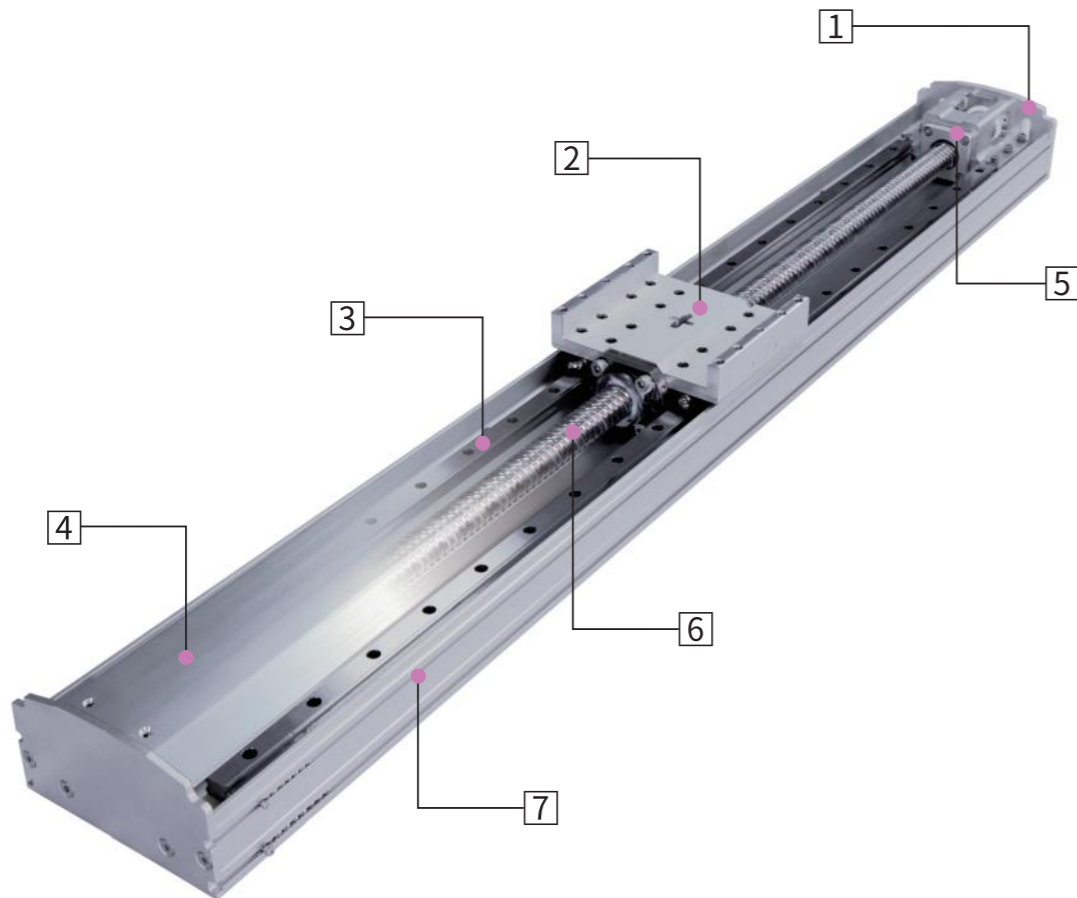
M 电机外置直连 Motor external direct connection 单位: Unit: mm





螺杆模组内部结构图说明

Description of Internal Structure Diagram of Screw Driven Linear Actuator



1 法兰板 Flange plate

安装便捷,方便互换不同的伺服电机。Easy to install, easy to swap different servo motors.

2 滑座 Slide

高强度、高刚性,供客户安装便捷。High strength, high rigidity, convenient for customers to install.

3 精密直线导轨 Precision linear guide

精度高、刚性高、适合高速运动、保证运行时的直线度和平行度。
High precision, high rigidity, suitable for high-speed movement, to ensure the straightness and parallelism during operation.

4 铝护盖 Aluminum cover

外形美观、可防异物。Beautiful appearance, can prevent foreign bodies.

5 螺杆/电机固定座 Screw/motor fixing seat

防呆设计、吸收安装误差、与法兰板配合安装保证电机、联轴器、和滚珠螺杆的同心度。
Fool proof design, absorption of installation errors, and installation with flange plate to ensure the concentricity of motor, coupling, and ball screw.

6 精密滚珠螺杆 Precision ball bearing screw

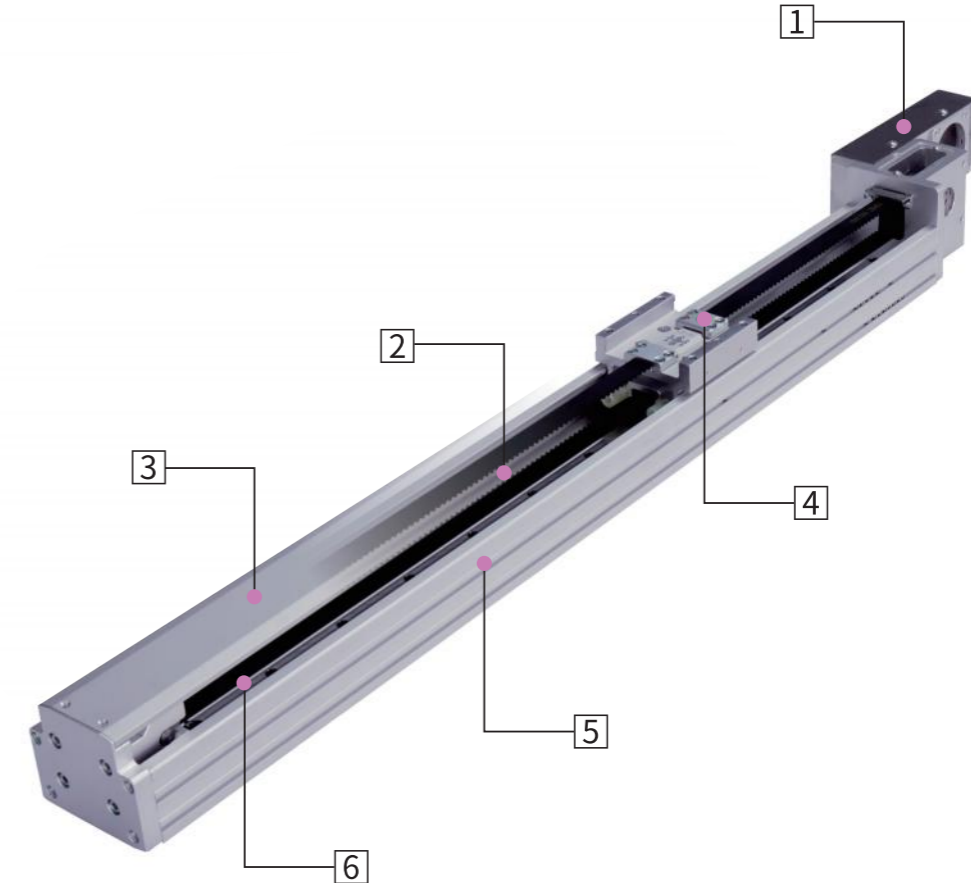
精度根据需求可选配。The precision can be selected according to the demand.

7 铝基座 Aluminum base

整体结构设计紧凑、高强度、高刚性。The overall structure design is compact, high strength, high rigidity.

同步带模组内部结构图说明

Description of internal Structure Diagram of Belt Driven Linear Actuator



1 传动机构 Transmission mechanism

通过伺服电机回转运动传递给同步轮,再由同步轮与同步带齿与齿的啮合传递动力。
It is transferred to the synchronous wheel through the rotary movement of the servo motor, and then the power is transferred by the meshing between the synchronous wheel and the teeth of the synchronous belt.

2 高强度钢丝同步带 High strength steel wire timing belt

高强度、高张力、抗磨损、低噪音。High strength, high tension, wear resistance, low noise.

3 铝护盖 Aluminum cover

外形美观、可防异物。Beautiful appearance, can prevent foreign material.

4 滑座 Slide

高强度、高刚性,供客户安装便捷。High strength, high rigidity, convenient for customers to install.

5 铝基座 Aluminum base

整体结构设计紧凑、高强度、高刚性。The overall structure design is compact, high strength, high rigidity.

6 精密直线导轨 Precision linear guide

精度高、刚性高、适合高速运动、保证运行时的直线度和平行度。
High precision, high rigidity, suitable for high-speed movement, to ensure the straightness and parallelism during operation.

HNR-E
HNB-E
HFR
HNR
HCR
HNB
HCB
HNT
XYZ
参考资料 Reference data



重复精度
Repeat Accuracy
±0.02
mm

此图仅供参考, 出货规格详见尺寸图面
This drawing is for reference only, Please refer to the size drawing for shipment specifications.

最大行程
Max stroke 1200mm

最高速度
Max speed 1000mm/s

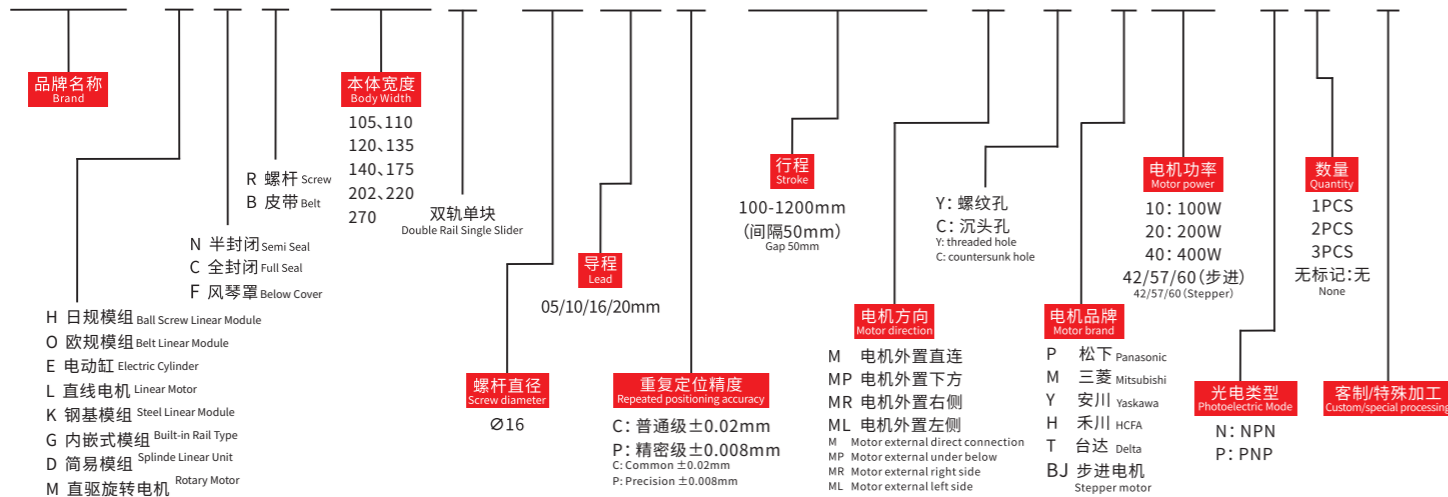
马达容量
Motor output 200W

滚珠螺杆
Ball screw Ø16mm

直线滑轨
Linear guide 15X18-2支

型号表达方式 Ordering method

TPA-HNR-105D-1610C-L1200-M-Y-P20-N3-F



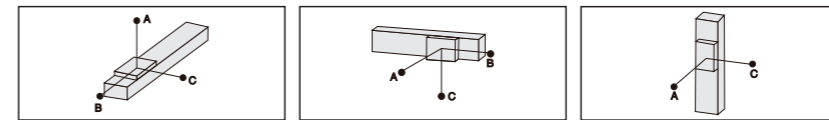
产品性能参数如下 Product performance parameters are as follows

规格 Spec	电机功率 (W) Motor power (W)	200				
	额定扭矩 (N.M) Rated torque (N.M)	0.64				
	重复定位精度 (mm) Repeated positioning accuracy (mm)	±0.02				
	导程 (mm) Lead (mm)	5	10	16	20	
	最高速度 (mm/s) Maximum speed (mm/s)	250	500	800	1000	
	电机额定转速 (RPM) Rated speed of motor (RPM)	3000				
	最大可搬重量 Maximum Payload	水平使用 (kg) Horizontal (kg)	50	25	19	13
		垂直使用 (kg) Vertical (kg)	22	11	8	6
	定格推力 (N) Rated thrust (N)	615	307	192	154	
	标准行程 (mm) Stroke pitch (mm)	100~1200mm/50 间隔 50 mm Pitch				
部品 Parts	滚珠螺杆外径 (mm) Ball screw Ø (mm)	Ø16				
	基座材质 Material of base	硬质挤压铝材A1 Hard extruded aluminum A1				
	安装面精度要求 (mm) Accuracy requirements of installation surface (mm)	C级<0.05; P级<0.02 C level<0.05 P level<0.02				
	使用环境 Operating environment	0~40°C, 85%RH (无凝结) No condensation				

注1: 使用非上述功率电机时请依据实际参数推算。
Note 1: When using a motor with a power other than the above, please calculate according to the actual parameters.

注2: 最高速度因行程和负载而异, 当螺杆细长比大于1:50时, 可能会因螺杆临界速度产生共振和抖动, 应适当下调运行速度, 一般螺杆每增长100mm, 速度应下调10~15%。
Note 2: The maximum speed varies with stroke and load. When the screw slenderness ratio is greater than 1:50, resonance and jitter may occur due to the critical speed of the screw, so the running speed should be reduced appropriately. Generally, the speed should be reduced by 10~15% for every 100mm increase of the screw.

容许负载力矩表 N.m Allowable overhang

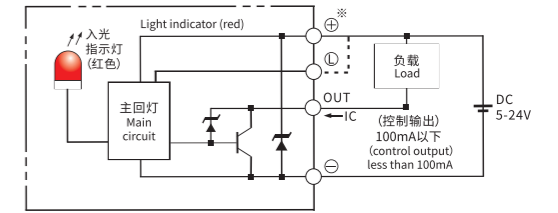


(单位Unit:mm)				(单位Unit:mm)				(单位Unit:mm)			
水平安装 Horizontal installation				侧面安装 Side mounting				垂直安装 Vertical installation			
导程 Lead	A	B	C	导程 Lead	A	B	C	导程 Lead	A	B	C
5	30kg	21	32	262	10kg	602	187	153	10kg	93	106
5	50kg	1	2	48	20kg	380	92	75	13kg	42	71
	60kg	-	-	-	30kg	9	-	-	15kg	23	41
10	20kg	93	162	260	10kg	545	122	109	3kg	333	368
	25kg	61	80	217	20kg	210	33	21	6kg	154	177
10	30kg	32	45	175	30kg	-	-	-	9kg	100	118
	10kg	155	242	425	5kg	477	140	123	3kg	413	262
16	15kg	89	162	313	10kg	269	78	69	5kg	214	242
	20kg	40	88	199	15kg	126	54	37	8kg	60	85
20	5kg	385	407	629	3kg	462	228	179	1kg	546	570
	10kg	110	179	381	7kg	289	94	76	3kg	375	391
20	20kg	63	98	230	10kg	211	55	39	5kg	123	150

搭配伺服马达一览表 Suitable motor brand

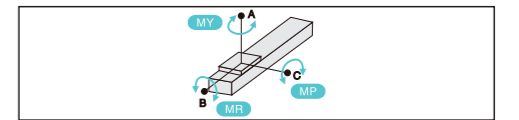
品牌 Brand	马达记号 Mark	刹车有无 Brake	马达容量 Motor capacity	电源电压 AC-Voltage	伺服马达型号 Servo motor model	驱动器型号 Driver Model
三菱 Mitsubishi	M	无刹车(水平式样) No brake (horizontal type)	200	220	HG-KR73	MR-J4-70A
松下 Panasonic	P	无刹车(水平式样) No brake (horizontal type)	200	220	MHMD082G1U	MBDHT3520
台达 Delta	T	无刹车(水平式样) No brake (horizontal type)	200	220	ECMA-C20807ES	ASD-B20721-B

感应器连接图<原点及端点> Sensor layout



- HNR-E
- HNB-E
- HFR
- HNR
- HCR
- HNB
- HCB
- HNT
- XYZ
- 参考资料
Reference data

静态容许负载惯量 Static loading moment



	(单位Unit:N.m)
MY	150
MP	150
MR	130

*力矩表所表示的数据, 代表重心。
The torque value in the chart indicate the center of gravity.

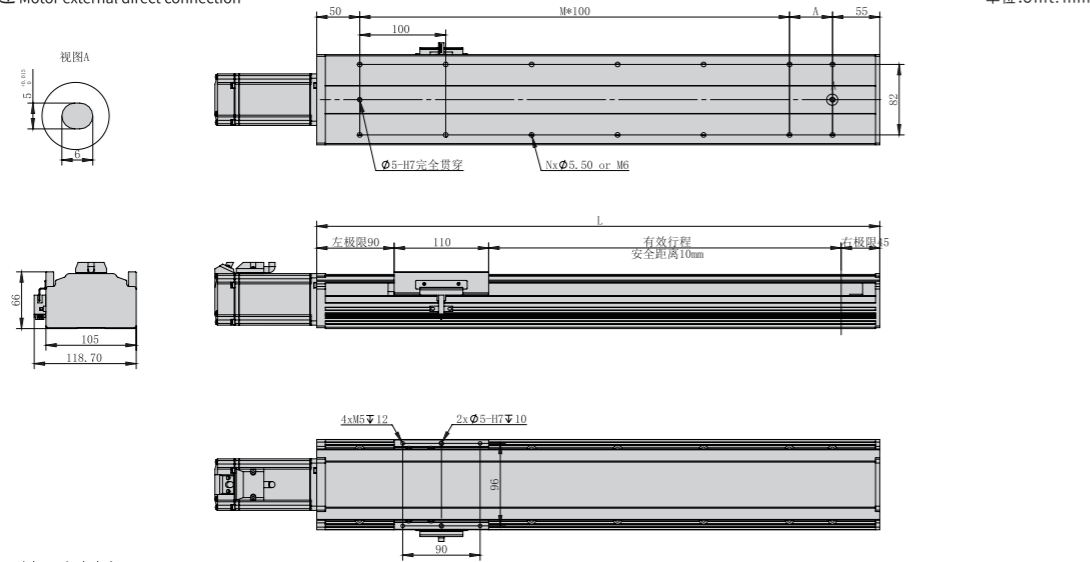
*符合型录规范的正常试用下, 保证寿命为10000公里。
Operation life is 10,000km when the product is using under the specified conditions.

*倒吊使用无法套用标准规范, 如有需求请咨询我司业务。
The standard specification cannot be applied to the use of inverted crane. Please consult our business if necessary.



电机外置直连/电机外置下方
Motor external direct connection/Motor external under below

M 电机外置直连 Motor external direct connection



单位:Unit: mm

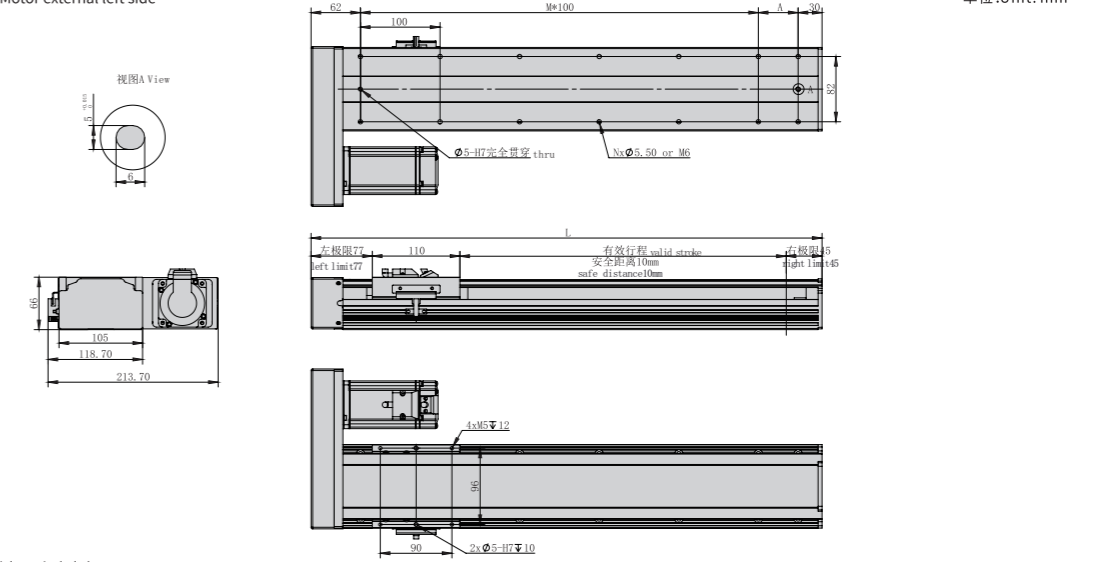
*不含电机重量。*Motor weight not included.

有效行程 Stroke	100	150	200	250	300	350	400	450	500	550	600	650	700	750	800	850	900	950	1000	1050	1100	1150	1200
L	355	405	455	505	555	605	655	705	755	805	855	905	955	1005	1055	1105	1155	1205	1255	1305	1355	1405	1455
A	50	100	50	100	50	100	50	100	50	100	50	100	50	100	50	100	50	100	50	100	50	100	50
N	8	8	10	10	12	12	14	14	16	16	18	18	20	20	22	22	24	24	26	26	28	28	30
M	2	3	3	4	4	5	5	6	6	7	7	8	8	9	9	10	10	11	11	12	12	13	13
KG	3.5	3.8	4.1	4.4	4.7	5	5.3	5.6	5.9	6.2	6.5	6.8	7.1	7.4	7.7	8	8.3	8.6	8.9	9.2	9.5	9.8	10.1

如有超长行程及定制需求, 请咨询我司业务。If you have extra long trip and custom requirements, please consult our business.

电机外置左侧/电机外置右侧
Motor external left side / Motor external right side

ML 电机外置左侧 Motor external left side



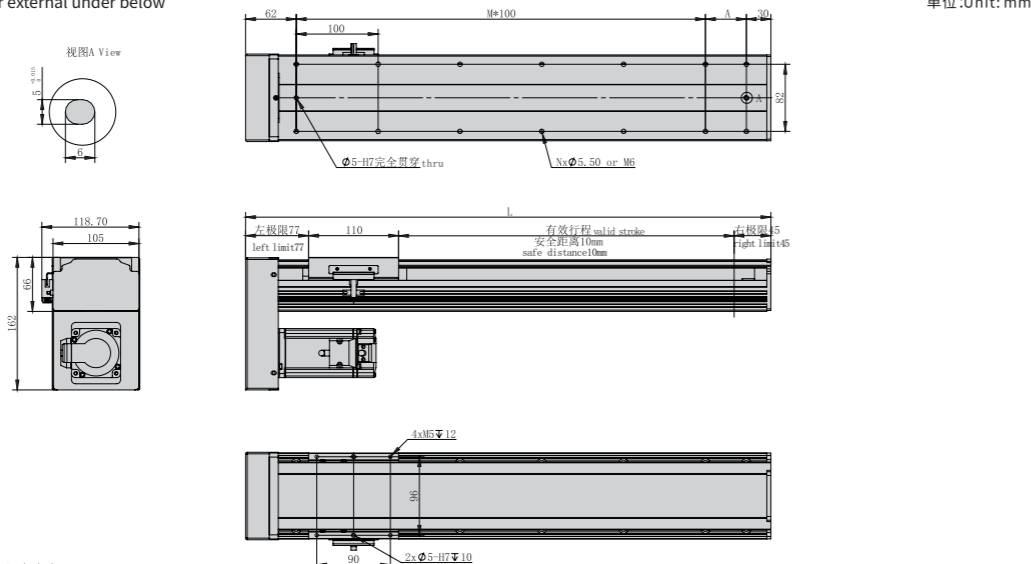
单位:Unit: mm

*不含电机重量。*Motor weight not included.

有效行程 Stroke	100	150	200	250	300	350	400	450	500	550	600	650	700	750	800	850	900	950	1000	1050	1100	1150	1200
L	342	392	442	492	542	592	642	692	742	792	842	892	942	992	1042	1092	1142	1192	1242	1292	1342	1392	1442
A	50	100	50	100	50	100	50	100	50	100	50	100	50	100	50	100	50	100	50	100	50	100	50
N	8	8	10	10	12	12	14	14	16	16	18	18	20	20	22	22	24	24	26	26	28	28	30
M	2	3	3	4	4	5	5	6	6	7	7	8	8	9	9	10	10	11	11	12	12	13	13
KG	3.5	3.8	4.1	4.4	4.7	5	5.3	5.6	5.9	6.2	6.5	6.8	7.1	7.4	7.7	8	8.3	8.6	8.9	9.2	9.5	9.8	10.1

如有超长行程及定制需求, 请咨询我司业务。If you have extra long trip and custom requirements, please consult our business.

MP 电机外置下方 Motor external under below



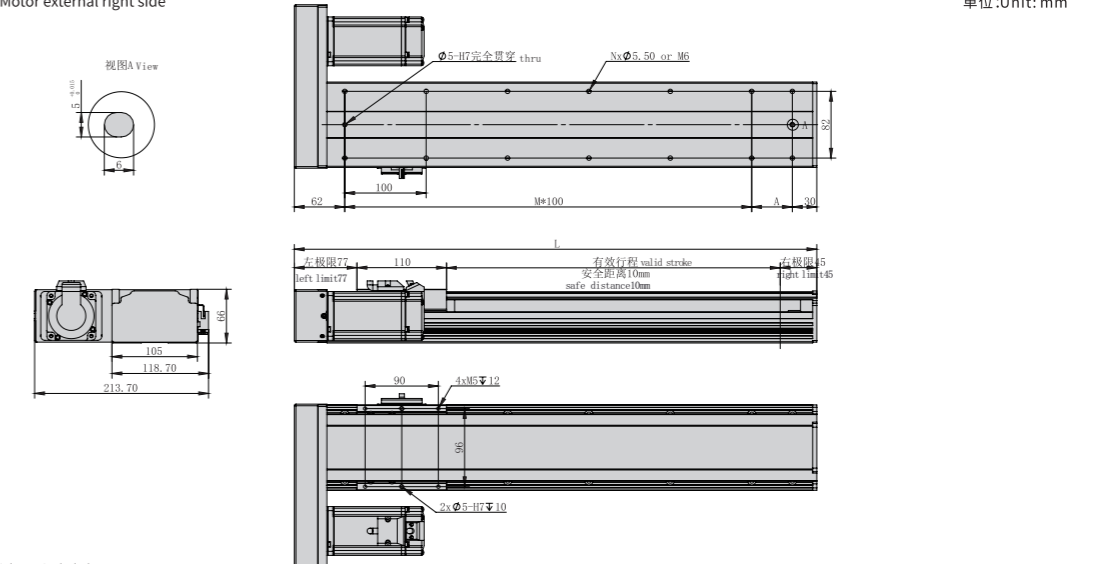
单位:Unit: mm

*不含电机重量。*Motor weight not included.

有效行程 Stroke	100	150	200	250	300	350	400	450	500	550	600	650	700	750	800	850	900	950	1000	1050	1100	1150	1200
L	342	392	442	492	542	592	642	692	742	792	842	892	942	992	1042	1092	1142	1192	1242	1292	1342	1392	1442
A	50	100	50	100	50	100	50	100	50	100	50	100	50	100	50	100	50	100	50	100	50	100	50
N	8	8	10	10	12	12	14	14	16	16	18	18	20	20	22	22	24	24	26	26	28	28	30
M	2	3	3	4	4	5	5	6	6	7	7	8	8	9	9	10	10	11	11	12	12	13	13
KG	3.5	3.8	4.1	4.4	4.7	5	5.3	5.6	5.9	6.2	6.5	6.8	7.1	7.4	7.7	8	8.3	8.6	8.9	9.2	9.5	9.8	10.1

如有超长行程及定制需求, 请咨询我司业务。If you have extra long trip and custom requirements, please consult our business.

MR 电机外置右侧 Motor external right side



单位:Unit: mm

*不含电机重量。*Motor weight not included.

有效行程 Stroke	100	150	200	250	300	350	400	450	500	550	600	650	700	750	800	850	900	950	1000	1050	1100	1150	1200
L	342	392	442	492	542	592	642	692	742	792	842	892	942	992	1042	1092	1142	1192	1242	1292	1342	1392	1442
A	50	100	50	100	50	100	50	100	50	100	50	100	50	100	50	100	50	100	50	100	50	100	50
N	8	8	10	10	12	12	14	14	16	16	18	18	20	20	22	22	24	24	26	26	28	28	30
M	2	3	3	4	4	5	5	6	6	7	7	8	8	9	9	10	10	11	11	12	12	13	13
KG	3.5	3.8	4.1	4.4	4.7	5	5.3	5.6	5.9	6.2	6.5	6.8	7.1	7.4	7.7	8	8.3	8.6	8.9	9.2	9.5	9.8	10.1

如有超长行程及定制需求, 请咨询我司业务。If you have extra long trip and custom requirements, please consult our business.



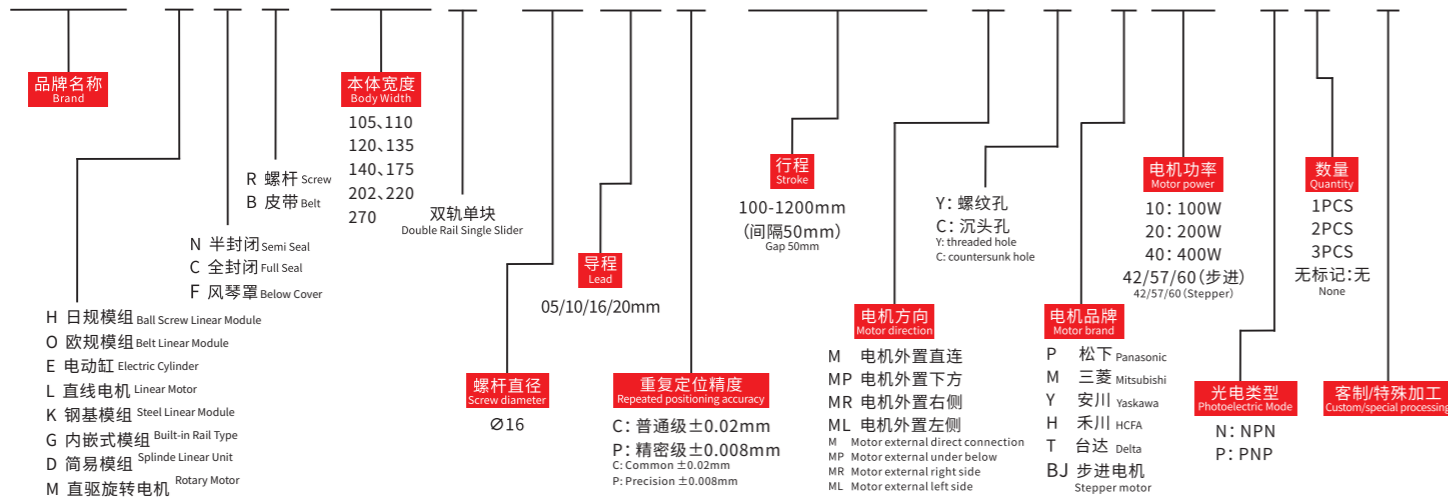
重复精度
Repeat Accuracy
±0.02 mm

此图仅供参考, 出货规格详见尺寸图面
This drawing is for reference only, Please refer to the size drawing for shipment specifications.

- 最大行程 Max stroke: 1200mm
- 最高速度 Max speed: 1000mm/s
- 马达容量 Motor output: 200W
- 滚珠螺杆 Ball screw: Ø16mm
- 直线滑轨 Linear guide: 12X8-2支

型号表达方式 Ordering method

TPA-HNR-110D-1610C-L1200-M-Y-P20-N3-F



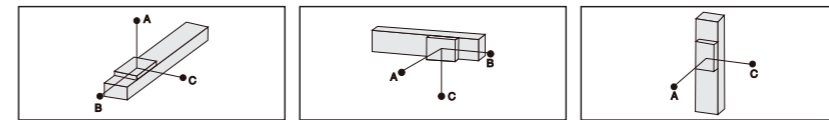
产品性能参数如下 Product performance parameters are as follows

规格 Spec	电机功率 (W) Motor power (W)	200				
	额定扭矩 (N.M) Rated torque (N.M)	0.64				
	重复定位精度 (mm) Repeated positioning accuracy (mm)	±0.02				
	导程 (mm) Lead (mm)	5	10	16	20	
	最高速度 (mm/s) Maximum speed (mm/s)	250	500	800	1000	
	电机额定转速 (RPM) Rated speed of motor (RPM)	3000				
	最大可搬重量 Maximum Payload	水平使用 (kg) Horizontal (kg)	50	25	19	13
		垂直使用 (kg) Vertical (kg)	22	11	8	6
	定格推力 (N) Rated thrust (N)	615	307	192	154	
	标准行程 (mm) Stroke pitch (mm)	100~1200mm/50 间隔 50 mm Pitch				
部品 Parts	滚珠螺杆外径 (mm) Ball screw Ø (mm)	Ø16				
	基座材质 Material of base	硬质挤压铝材A1 Hard extruded aluminum A1				
	安装面精度要求 (mm) Accuracy requirements of installation surface (mm)	C级<0.05; P级<0.02 C level<0.05 P level<0.02				
	使用环境 Operating environment	0~40°C, 85%RH (无凝结) No condensation				

注1: 使用非上述功率电机时请依据实际参数推算。
Note 1: When using a motor with a power other than the above, please calculate according to the actual parameters.

注2: 最高速度因行程和负载而异, 当螺杆细长比大于1:50时, 可能会因螺杆临界速度产生共振和抖动, 应适当下调运行速度, 一般螺杆每增长100mm, 速度应下调10~15%。
Note 2: The maximum speed varies with stroke and load. When the screw slenderness ratio is greater than 1:50, resonance and jitter may occur due to the critical speed of the screw, so the running speed should be reduced appropriately. Generally, the speed should be reduced by 10~15% for every 100mm increase of the screw.

容许负载力矩表 N.m Allowable overhang

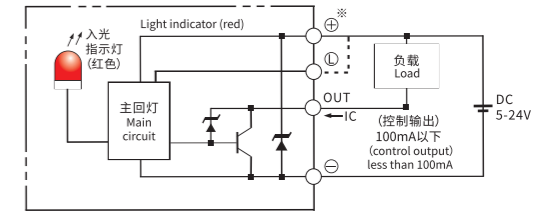


水平安装 Horizontal installation (单位Unit:mm)				侧面安装 Side mounting (单位Unit:mm)				垂直安装 Vertical installation (单位Unit:mm)			
导程 Lead	A	B	C	导程 Lead	A	B	C	导程 Lead	A	B	C
5	30kg	15	35	399	10kg	1385	37	95	10kg	132	99
5	50kg	-	-	-	20kg	495	-	19	13kg	100	72
	60kg	-	-	-	30kg	-	-	-	15kg	79	39
10	20kg	57	68	323	10kg	495	29	86	6kg	208	164
	25kg	23	51	205	20kg	209	-	11	8kg	96	58
10	35kg	-	-	100	30kg	-	-	-	10kg	42	7
	10kg	160	177	567	5kg	610	100	143	3kg	245	189
16	15kg	82	109	350	10kg	371	82	113	5kg	180	153
	23kg	-	-	116	20kg	168	-	21	7kg	52	10
20	5kg	188	210	872	5kg	575	102	140	1kg	478	438
	10kg	89	108	441	10kg	308	65	88	2kg	199	111
20	18kg	55	60	260	20kg	122	-	3	4kg	148	96

搭配伺服马达一览表 Suitable motor brand

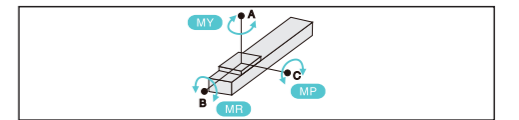
品牌 Brand	马达记号 Mark	刹车有无 Brake	马达容量 Motor capacity	电源电压 AC-Voltage	伺服马达型号 Servo motor model	驱动器型号 Driver Model
三菱 Mitsubishi	M	无刹车(水平式样) No brake (horizontal type)	200	220	HG-KR73	MR-J4-70A
松下 Panasonic	P	无刹车(水平式样) No brake (horizontal type)	200	220	MHMD082G1U	MBDHT3520
台达 Delta	T	无刹车(水平式样) No brake (horizontal type)	200	220	ECMA-C20807ES	ASD-B20721-B

感应器连接图<原点及端点> Sensor layout



- HNR-E
- HNB-E
- HFR
- HNR
- HCR
- HNB
- HCB
- HNT
- XYZ
- 参考资料 Reference data

静态容许负载惯量 Static loading moment



	MY	MP	MR
110	110	110	120

*力矩表所表示的数据, 代表重心。
The torque value in the chart indicate the center of gravity.

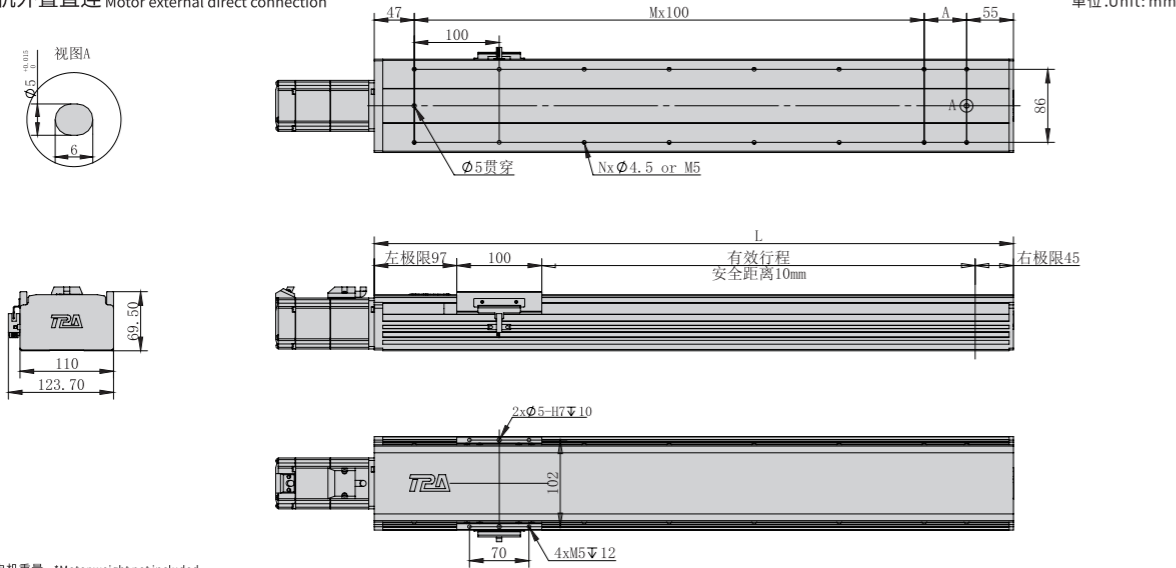
*符合型录规范的正常试用下, 保证寿命为10000公里。
Operation life is 10,000km when the product is using under the specified conditions.

*倒吊使用无法套用标准规范, 如有需求请咨询我司业务。
The standard specification cannot be applied to the use of inverted crane. Please consult our business if necessary.



电机外置直连/电机外置下方
Motor external direct connection/Motor external under below

M 电机外置直连 Motor external direct connection



单位:Unit: mm

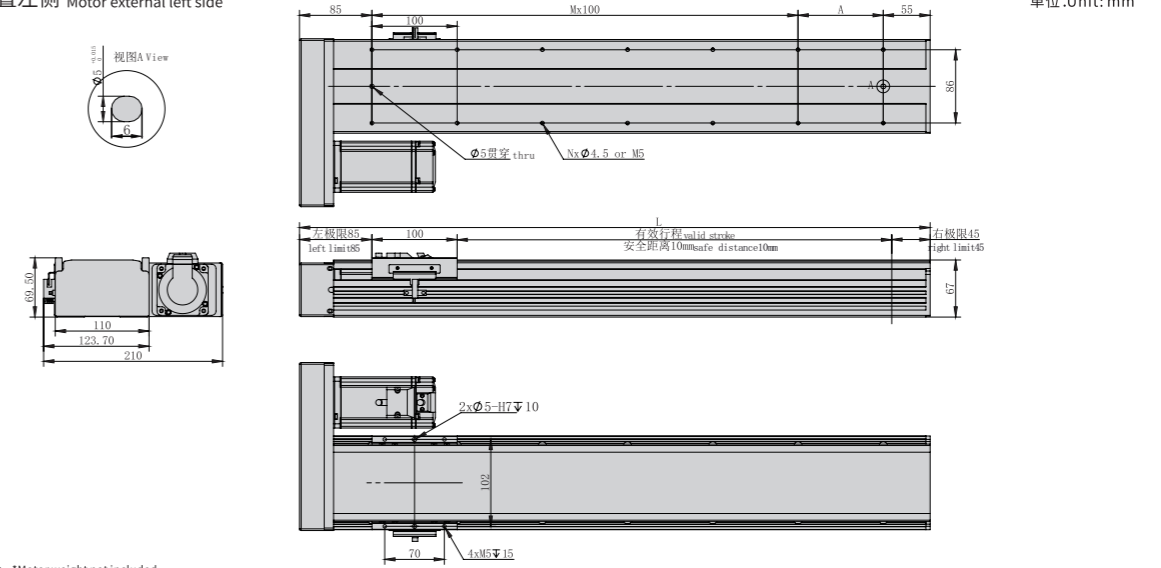
*不含电机重量。*Motor weight not included.

有效行程 Stroke	100	150	200	250	300	350	400	450	500	550	600	650	700	750	800	850	900	950	1000	1050	1100	1150	1200
L	352	402	452	502	552	602	652	702	752	802	852	902	952	1002	1052	1102	1152	1202	1252	1302	1352	1402	1452
A	50	100	50	100	50	100	50	100	50	100	50	100	50	100	50	100	50	100	50	100	50	100	50
N	8	8	10	10	12	12	14	14	16	16	18	18	20	20	22	22	24	24	26	26	28	28	30
M	2	2	3	3	4	4	5	5	6	6	7	7	8	8	9	9	10	10	11	11	12	12	13
KG	4.3	4.8	5.3	5.8	6.3	6.8	7.3	7.8	8.3	8.8	9.3	9.8	10.3	10.8	11.3	11.8	12.3	12.8	13.3	13.8	14.3	14.8	15.3

如有超长行程及定制需求,请咨询我司业务。If you have extra long trip and custom requirements, please consult our business.

电机外置左侧/电机外置右侧
Motor external left side / Motor external right side

ML 电机外置左侧 Motor external left side



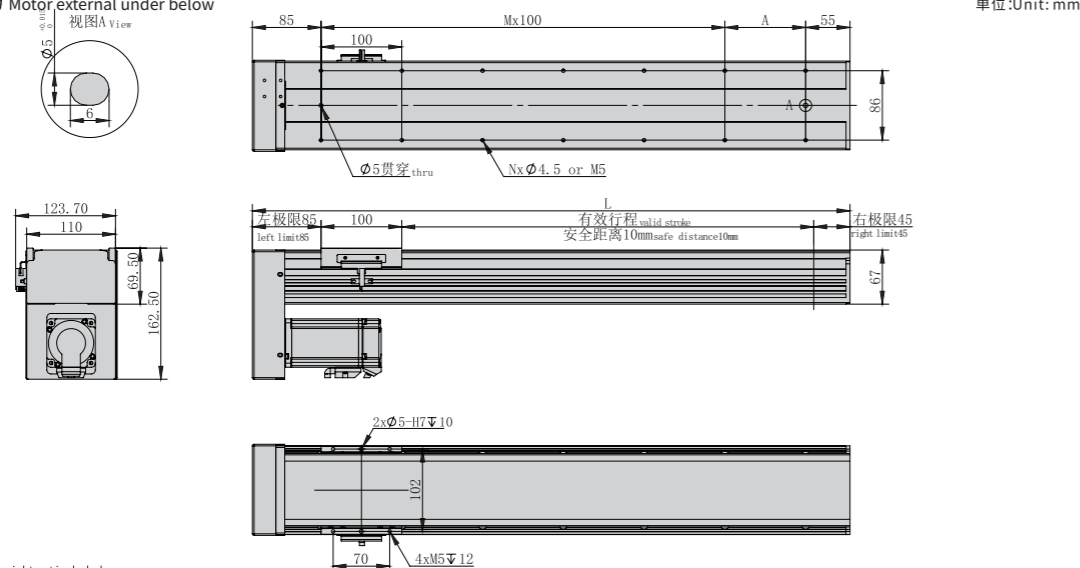
单位:Unit: mm

*不含电机重量。*Motor weight not included.

有效行程 Stroke	100	150	200	250	300	350	400	450	500	550	600	650	700	750	800	850	900	950	1000	1050	1100	1150	1200
L	340	390	440	490	540	590	640	690	740	790	840	890	940	990	1040	1090	1140	1190	1240	1290	1340	1390	1440
A	100	50	100	50	100	50	100	50	100	50	100	50	100	50	100	50	100	50	100	50	100	50	100
N	6	8	8	10	10	12	12	14	14	16	16	18	18	20	20	22	22	24	24	26	26	28	28
M	1	2	2	3	3	4	4	5	5	6	6	7	7	8	8	9	9	10	10	11	11	12	12
KG	4.5	5	5.5	6	6.5	7	7.5	8	8.5	9	9.5	10	10.5	11	11.5	12	12.5	13	13.5	14	14.5	15	15.5

如有超长行程及定制需求,请咨询我司业务。If you have extra long trip and custom requirements, please consult our business.

MP 电机外置下方 Motor external under below



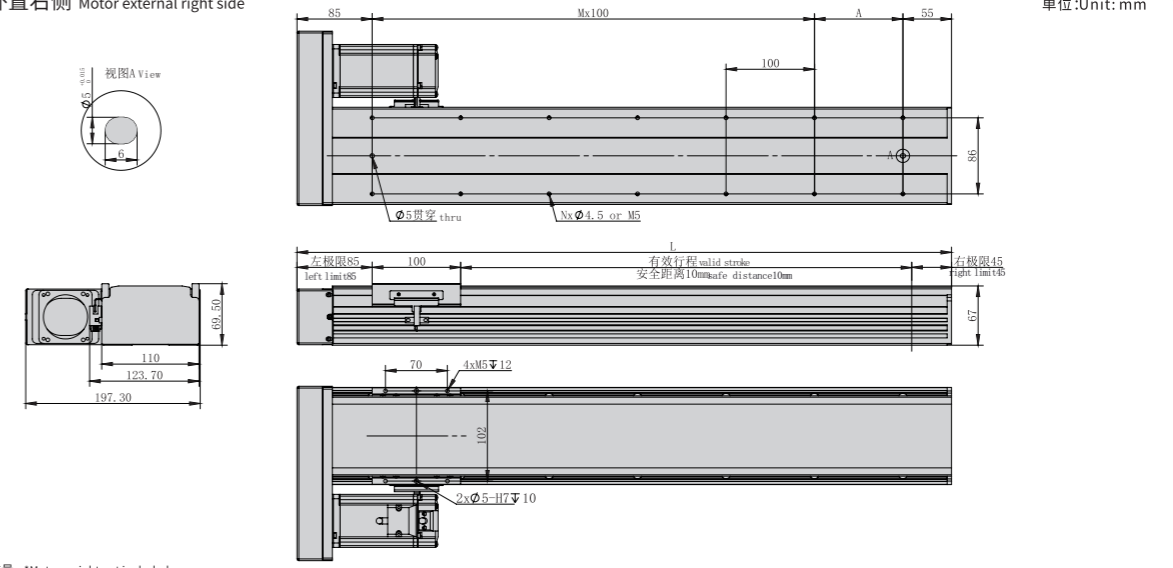
单位:Unit: mm

*不含电机重量。*Motor weight not included.

有效行程 Stroke	100	150	200	250	300	350	400	450	500	550	600	650	700	750	800	850	900	950	1000	1050	1100	1150	1200
L	340	390	440	490	540	590	640	690	740	790	840	890	940	990	1040	1090	1140	1190	1240	1290	1340	1390	1440
A	100	50	100	50	100	50	100	50	100	50	100	50	100	50	100	50	100	50	100	50	100	50	100
N	6	8	8	10	10	12	12	14	14	16	16	18	18	20	20	22	22	24	24	26	26	28	28
M	1	2	2	3	3	4	4	5	5	6	6	7	7	8	8	9	9	10	10	11	11	12	12
KG	4.5	5	5.5	6	6.5	7	7.5	8	8.5	9	9.5	10	10.5	11	11.5	12	12.5	13	13.5	14	14.5	15	15.5

如有超长行程及定制需求,请咨询我司业务。If you have extra long trip and custom requirements, please consult our business.

MR 电机外置右侧 Motor external right side



单位:Unit: mm

*不含电机重量。*Motor weight not included.

有效行程 Stroke	100	150	200	250	300	350	400	450	500	550	600	650	700	750	800	850	900	950	1000	1050	1100	1150	1200
L	340	390	440	490	540	590	640	690	740	790	840	890	940	990	1040	1090	1140	1190	1240	1290	1340	1390	1440
A	100	50	100	50	100	50	100	50	100	50	100	50	100	50	100	50	100	50	100	50	100	50	100
N	6	8	8	10	10	12	12	14	14	16	16	18	18	20	20	22	22	24	24	26	26	28	28
M	1	2	2	3	3	4	4	5	5	6	6	7	7	8	8	9	9	10	10	11	11	12	12
KG	4.5	5	5.5	6	6.5	7	7.5	8	8.5	9	9.5	10	10.5	11	11.5	12	12.5	13	13.5	14	14.5	15	15.5

如有超长行程及定制需求,请咨询我司业务。If you have extra long trip and custom requirements, please consult our business.



重复精度
Repeat Accuracy
±0.02 mm

此图仅供参考, 出货规格详见尺寸图面
This drawing is for reference only, Please refer to the size drawing for shipment specifications.

最大行程 Max stroke 1200mm 最高速度 Max speed 1000mm/s 马达容量 Motor output 200W 滚珠螺杆 Ball screw Ø16mm 直线滑轨 Linear guide 15X12.5-2支

型号表达方式 Ordering method

TPA-HNR-120D-1610C-L1200-M-Y-P20-N3-F

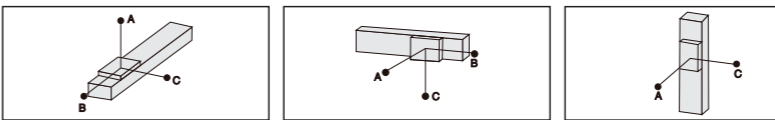
- 品牌名称 Brand: TPA
- 本体宽度 Body Width: 105, 110, 120, 135, 140, 175, 202, 220, 270
- 双轨双块 Double Rail Double Sliders
- 行程 Stroke: 100-1200mm (间隔50mm) Gap 50mm
- 导程 Lead: 05/10/16/20mm
- 螺孔 Y: 螺纹孔 Y: threaded hole; C: 沉头孔 C: countersunk hole
- 电机功率 Motor power: 10: 100W; 20: 200W; 40: 400W; 42/57/60 (步进) 42/57/60 (Stepper)
- 数量 Quantity: 1PCS, 2PCS, 3PCS, 无标记: 无 None
- 电机方向 Motor direction: M 电机外置直连; MP 电机外置下方; MR 电机外置右侧; ML 电机外置左侧
- 电机品牌 Motor brand: P 松下 Panasonic; M 三菱 Mitsubishi; Y 安川 Yaskawa; H 禾川 HCFA; T 台达 Delta; BJ 步进电机 Stepper motor
- 光电类型 Photoelectric Mode: N: NPN; P: PNP
- 定制特殊加工 Custom/special processing
- 重复定位精度 Repeated positioning accuracy: C: 普通级 ±0.02mm; P: 精密级 ±0.008mm; C: Common ±0.02mm; P: Precision ±0.008mm
- 螺孔直径 Screw diameter: Ø16
- 品牌名称 Brand: H 日规模组 Ball Screw Linear Module; O 欧规模组 Belt Linear Module; E 电动缸 Electric Cylinder; L 直线电机 Linear Motor; K 钢基模组 Steel Linear Module; G 内嵌式模组 Built-in Rail Type; D 简易模组 Splindle Linear Unit; M 直驱旋转电机 Rotary Motor
- 半封闭 Semi Seal; 全封闭 Full Seal; 风琴罩 Below Cover

产品性能参数如下 Product performance parameters are as follows

电机功率 (W) Motor power (W)	200				
额定扭矩 (N.M) Rated torque (N.M)	0.64				
重复定位精度 (mm) Repeated positioning accuracy (mm)	±0.02				
导程 (mm) Lead (mm)	5	10	16	20	
最高速度 (mm/s) Maximum speed (mm/s)	250	500	800	1000	
电机额定转速 (RPM) Rated speed of motor (RPM)	3000				
最大可搬重量 Maximum Payload	水平使用 (kg) Horizontal (kg)	60	30	23	25
	垂直使用 (kg) Vertical (kg)	27	12	10	7
定格推力 (N) Rated thrust (N)	615	307	192	154	
标准行程 (mm) Stroke pitch (mm)	100~1200mm/50 间隔 50 mm Pitch				
滚珠螺杆外径 (mm) Ball screw Ø (mm)	Ø16				
基座材质 Material of base	硬质挤压铝材A1 Hard extruded aluminum A1				
安装面精度要求 (mm) Accuracy requirements of installation surface (mm)	C级<0.05; P级<0.02 C level<0.05 P level<0.02				
使用环境 Operating environment	0~40°C, 85%RH (无凝结) No condensation				

注1: 使用非上述功率电机时请依据实际参数推算。
Note 1: When using a motor with a power other than the above, please calculate according to the actual parameters.
注2: 最高速度因行程和负载而异, 当螺杆细长比大于1:50时, 可能会因螺杆临界速度产生共振和抖动, 应适当下调运行速度, 一般螺杆每增长100mm, 速度应下调10~15%。
Note 2: The maximum speed varies with stroke and load. When the screw slenderness ratio is greater than 1:50, resonance and jitter may occur due to the critical speed of the screw, so the running speed should be reduced appropriately. Generally, the speed should be reduced by 10~15% for every 100mm increase of the screw.

容许负载力矩表 N.m Allowable overhang

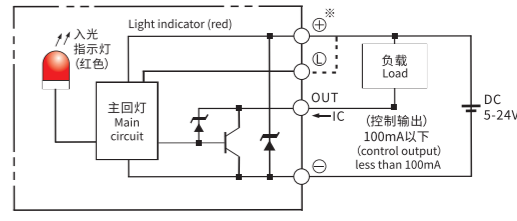


水平安装 Horizontal installation (单位Unit:mm)				侧面安装 Side mounting (单位Unit:mm)				垂直安装 Vertical installation (单位Unit:mm)				
导程 Lead	A	B	C	导程 Lead	A	B	C	导程 Lead	A	B	C	
5	30kg	882	65	78	25kg	100	84	1102	5	5kg	544	544
	40kg	606	43	51	35kg	63	52	725		8kg	341	341
	50kg	437	29	35	50kg	35	29	433		12kg	227	227
10	15kg	875	138	157	10kg	250	221	1311	10	4kg	606	606
	25kg	485	73	83	20kg	110	97	633		8kg	303	303
	30kg	386	56	64	30kg	64	56	385		-	-	-
16	3kg	1644	888	770	2kg	1182	1364	2512	16	2kg	961	961
	5kg	984	510	448	5kg	448	510	976		3kg	639	639
	-	-	-	-	-	-	-	-		-	-	-
20	5kg	1160	384	386	5kg	317	316	955	20	2kg	961	961
	10kg	561	180	181	12kg	147	144	455		3kg	639	639
	18kg	288	88	89	18kg	89	88	288		-	-	-

搭配伺服马达一览表 Suitable motor brand

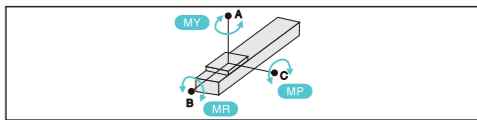
品牌 Brand	马达记号 Mark	刹车有无 Brake	马达容量 Motor capacity	电源电压 AC-Voltage	伺服马达型号 Servo motor model	驱动器型号 Driver Model
三菱 Mitsubishi	M	无刹车(水平式样) No brake (horizontal type)	200	220	HG-KR73	MR-J4-70A
松下 Panasonic	P	无刹车(水平式样) No brake (horizontal type)	200	220	MHMD082G1U	MBDHT3520
台达 Delta	T	无刹车(水平式样) No brake (horizontal type)	200	220	ECMA-C20807ES	ASD-B20721-B

感应器连接图<原点及端点> Sensor layout



HNR-E
HNB-E
HFR
HNR
HCR
HNB
HC
HNT
XYZ
参考资料 Reference data

静态容许负载惯量 Static loading moment

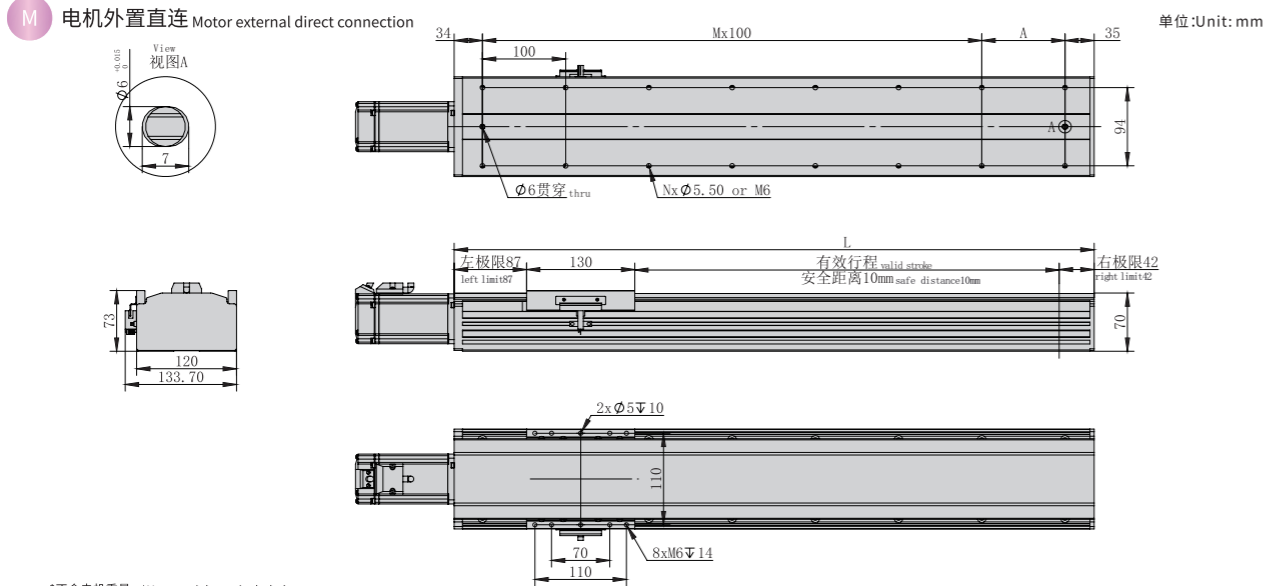


	MY	MP	MR
150	150	130	

*力矩表所表示的数据, 代表重心。
The torque value in the chart indicate the center of gravity.
*符合型录规范的正常试用下, 保证寿命为10000公里。
Operation life is 10,000km when the product is using under the specified conditions.
*倒吊使用无法套用标准规范, 如有需求请咨询我司业务。
The standard specification cannot be applied to the use of inverted crane. Please consult our business if necessary.



电机外置直连/电机外置下方
Motor external direct connection/Motor external under below

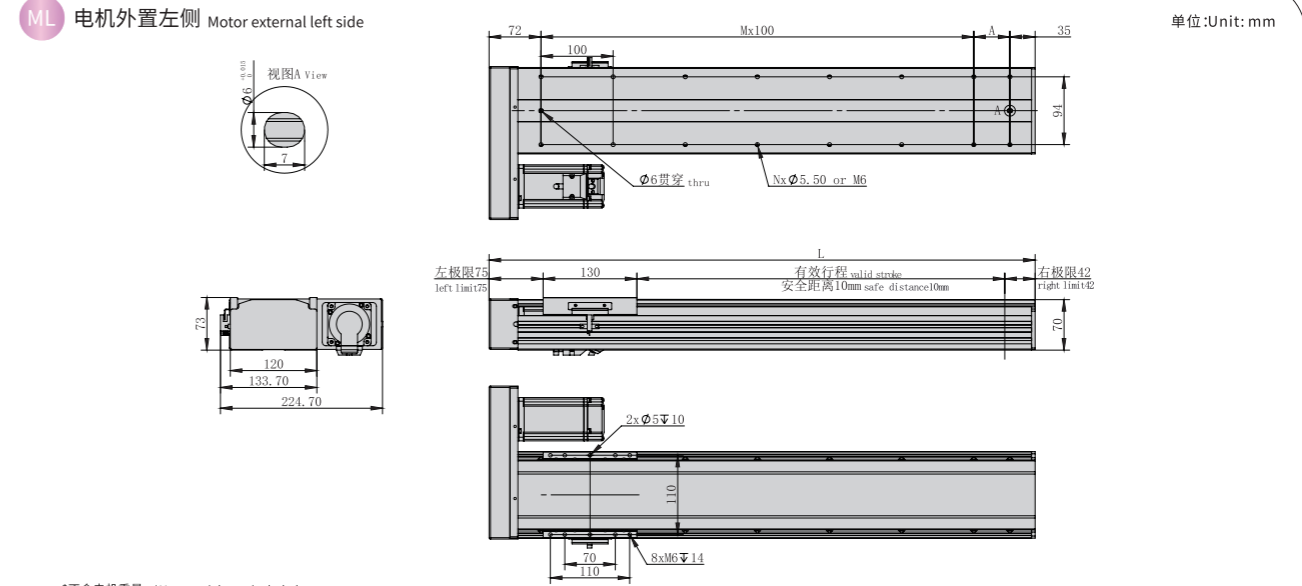


*不含电机重量。*Motor weight not included.

有效行程 Stroke	100	150	200	250	300	350	400	450	500	550	600	650	700	750	800	850	900	950	1000	1050	1100	1150	1200
L	369	419	469	519	569	619	669	719	769	819	869	919	969	1019	1069	1119	1169	1219	1269	1319	1369	1419	1469
A	100	50	100	50	100	50	100	50	100	50	100	50	100	50	100	50	100	50	100	50	100	50	100
N	8	10	10	12	12	14	14	16	16	18	18	20	20	22	22	24	24	26	26	28	28	30	30
M	2	3	3	4	4	5	5	6	6	7	7	8	8	9	9	10	10	11	11	12	12	13	13
KG	5.8	6.3	6.8	7.3	7.8	8.3	8.8	9.3	9.8	10.3	10.8	11.3	11.8	12.3	12.8	13.3	13.8	14.3	14.8	15.3	15.8	16.3	16.8

如有超长行程及定制需求, 请咨询我司业务。If you have extra long trip and custom requirements, please consult our business.

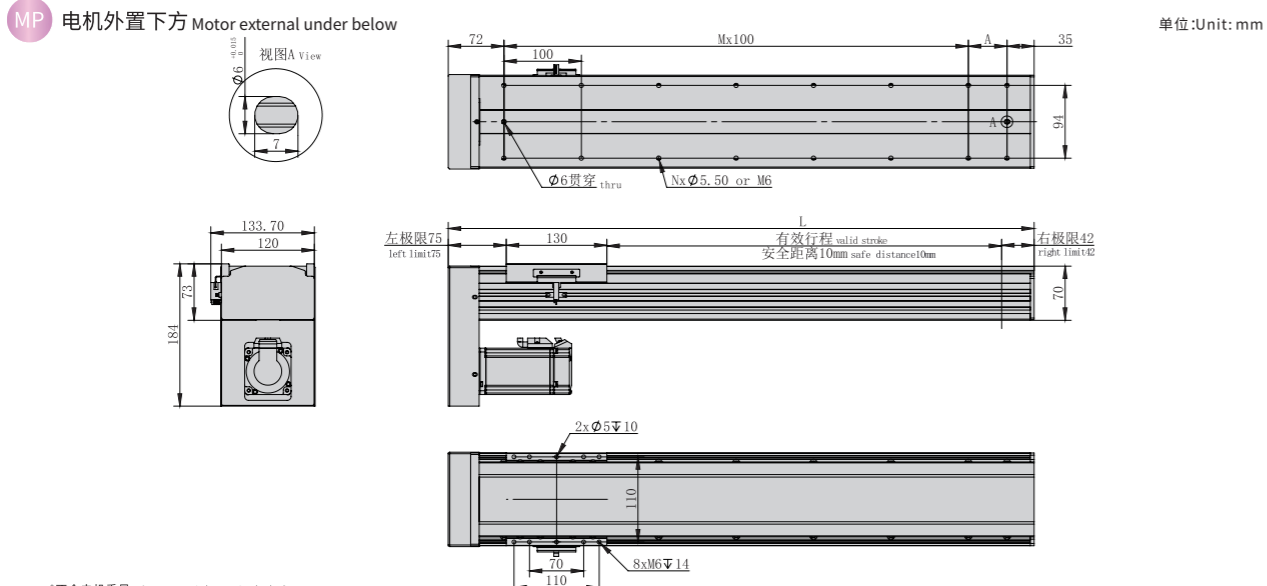
电机外置左侧/电机外置右侧
Motor external left side / Motor external right side



*不含电机重量。*Motor weight not included.

有效行程 Stroke	100	150	200	250	300	350	400	450	500	550	600	650	700	750	800	850	900	950	1000	1050	1100	1150	1200
L	357	407	457	507	557	607	657	707	757	807	857	907	957	1007	1057	1107	1157	1207	1257	1307	1357	1407	1457
A	50	100	50	100	50	100	50	100	50	100	50	100	50	100	50	100	50	100	50	100	50	100	50
N	8	8	10	10	12	12	14	14	16	16	18	18	20	20	22	22	24	24	26	26	28	28	30
M	2	2	3	3	4	4	5	5	6	6	7	7	8	8	9	9	10	10	11	11	12	12	13
KG	5.5	6	6.5	7	7.5	8	8.5	9	9.5	10	10.5	11	11.5	12	12.5	13	13.5	14	14.5	15	15.5	16	16.5

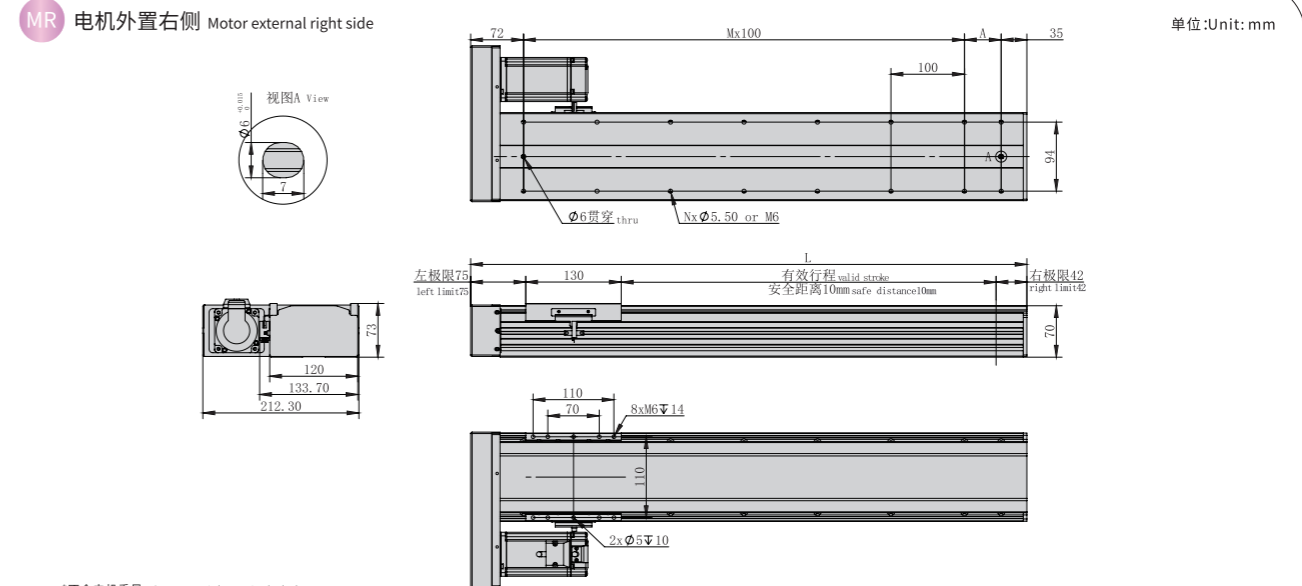
如有超长行程及定制需求, 请咨询我司业务。If you have extra long trip and custom requirements, please consult our business.



*不含电机重量。*Motor weight not included.

有效行程 Stroke	100	150	200	250	300	350	400	450	500	550	600	650	700	750	800	850	900	950	1000	1050	1100	1150	1200
L	357	407	457	507	557	607	657	707	757	807	857	907	957	1007	1057	1107	1157	1207	1257	1307	1357	1407	1457
A	50	100	50	100	50	100	50	100	50	100	50	100	50	100	50	100	50	100	50	100	50	100	50
N	8	8	10	10	12	12	14	14	16	16	18	18	20	20	22	22	24	24	26	26	28	28	30
M	2	2	3	3	4	4	5	5	6	6	7	7	8	8	9	9	10	10	11	11	12	12	13
KG	5.5	6	6.5	7	7.5	8	8.5	9	9.5	10	10.5	11	11.5	12	12.5	13	13.5	14	14.5	15	15.5	16	16.5

如有超长行程及定制需求, 请咨询我司业务。If you have extra long trip and custom requirements, please consult our business.



*不含电机重量。*Motor weight not included.

有效行程 Stroke	100	150	200	250	300	350	400	450	500	550	600	650	700	750	800	850	900	950	1000	1050	1100	1150	1200
L	357	407	457	507	557	607	657	707	757	807	857	907	957	1007	1057	1107	1157	1207	1257	1307	1357	1407	1457
A	50	100	50	100	50	100	50	100	50	100	50	100	50	100	50	100	50	100	50	100	50	100	50
N	8	8	10	10	12	12	14	14	16	16	18	18	20	20	22	22	24	24	26	26	28	28	30
M	2	2	3	3	4	4	5	5	6	6	7	7	8	8	9	9	10	10	11	11	12	12	13
KG	5.5	6	6.5	7	7.5	8	8.5	9	9.5	10	10.5	11	11.5	12	12.5	13	13.5	14	14.5	15	15.5	16	16.5

如有超长行程及定制需求, 请咨询我司业务。If you have extra long trip and custom requirements, please consult our business.

HNR-E
HNB-E
HFR
HNR
HCR
HNB
HCB
HNT
XYZ
参考资料
Reference data



重复精度
Repeat Accuracy
±0.02 mm

此图仅供参考, 出货规格详见尺寸图面
This drawing is for reference only, Please refer to the size drawing for shipment specifications.

最大行程
Max stroke 1050mm

最高速度
Max speed 1000mm/s

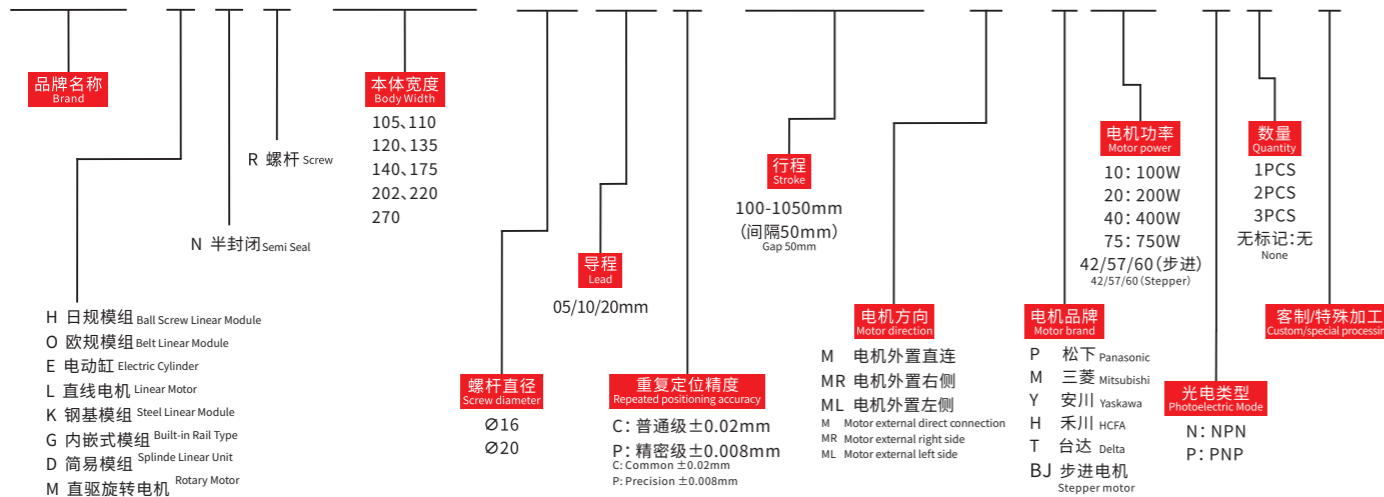
马达容量
Motor output 400W

滚珠螺杆
Ball screw Ø16mm

直线滑轨
Linear guide 15X12.5-2支

型号表达方式 Ordering method

TPA-HNR-135T-1610C-L1050-M-P40-N3-F



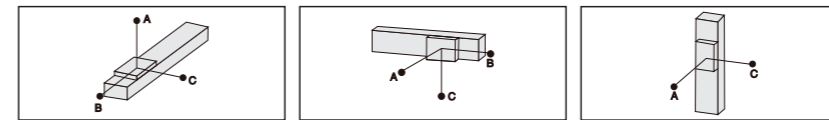
产品性能参数如下 Product performance parameters are as follows

规格 Spec	电机功率 (W) Motor power (W)	400			
	额定扭矩 (N.M) Rated torque (N.M)	1.3			
	重复定位精度 (mm) Repeated positioning accuracy (mm)	±0.02			
	导程 (mm) Lead (mm)	5	10	20	
	最高速度 (mm/s) Maximum speed (mm/s)	250	500	1000	
	电机额定转速 (RPM) Rated speed of motor (RPM)	3000			
	最大可搬重量 Maximum Payload	水平使用 (kg) Horizontal (kg)	110	88	40
		垂直使用 (kg) Vertical (kg)	50	40	25
	定格推力 (N) Rated thrust (N)	1250	625	312	
	标准行程 (mm) Stroke pitch (mm)	100~1050mm/50mm间隔 50 mm Pitch			
部品 Parts	滚珠螺杆外径 (mm) Ball screw Ø (mm)	Ø16			
	基座材质 Material of base	硬质挤压铝材A1 Hard extruded aluminum A1			
	安装面精度要求 (mm) Accuracy requirements of installation surface (mm)	C级<0.05; P级<0.02 C level<0.05 P level<0.02			
	使用环境 Operating environment	0~40°C, 85%RH (无凝结) No condensation			

注1: 使用非上述功率电机时请依据实际参数推算。
Note 1: When using a motor with a power other than the above, please calculate according to the actual parameters.

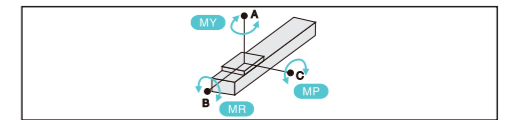
注2: 最高速度因行程和负载而异, 当螺杆细长比大于1:50时, 可能会因螺杆临界速度产生共振和抖动, 应适当下调运行速度, 一般螺杆每增长100mm, 速度应下调10~15%。
Note 2: The maximum speed varies with stroke and load. When the screw slenderness ratio is greater than 1:50, resonance and jitter may occur due to the critical speed of the screw, so the running speed should be reduced appropriately. Generally, the speed should be reduced by 10~15% for every 100mm increase of the screw.

容许负载力矩表 N.m Allowable overhang



水平安装 (单位Unit:mm)				侧面安装 (单位Unit:mm)				垂直安装 (单位Unit:mm)			
导程 Lead	A	B	C	导程 Lead	A	B	C	导程 Lead	A	B	C
5	60kg	2515	242	232	55kg	257	269	2883	15kg	1118	1118
	80kg	1811	172	164	75kg	178	186	2000	22kg	770	770
	95kg	1537	138	133	95kg	133	138	1537	27kg	626	626
10	30kg	2727	470	430	35kg	363	395	2368	10kg	1500	1500
	50kg	1577	266	242	55kg	218	238	1445	14kg	1072	1072
	75kg	1004	164	150	75kg	150	164	1004	18kg	833	833
20	10kg	2304	1222	1028	12kg	854	1019	2552	4kg	2980	2980
	22kg	1443	540	451	20kg	500	596	1588	7kg	1700	1700
	35kg	1005	324	271	35kg	271	324	1005	-	-	-

静态容许负载惯量 Static loading moment



静态容许负载惯量 (单位Unit:N.m)	
MY	551
MP	552
MR	485

*力矩表所表示的数据, 代表重心。
The torque value in the chart indicate the center of gravity.

*符合型录规范的正常试用下, 保证寿命为10000公里。
Operation life is 10,000km when the product is using under the specified conditions.

*倒吊使用无法套用标准规范, 如有需求请咨询我司业务。
The standard specification cannot be applied to the use of inverted crane. Please consult our business if necessary.

搭配伺服马达一览表 Suitable motor brand

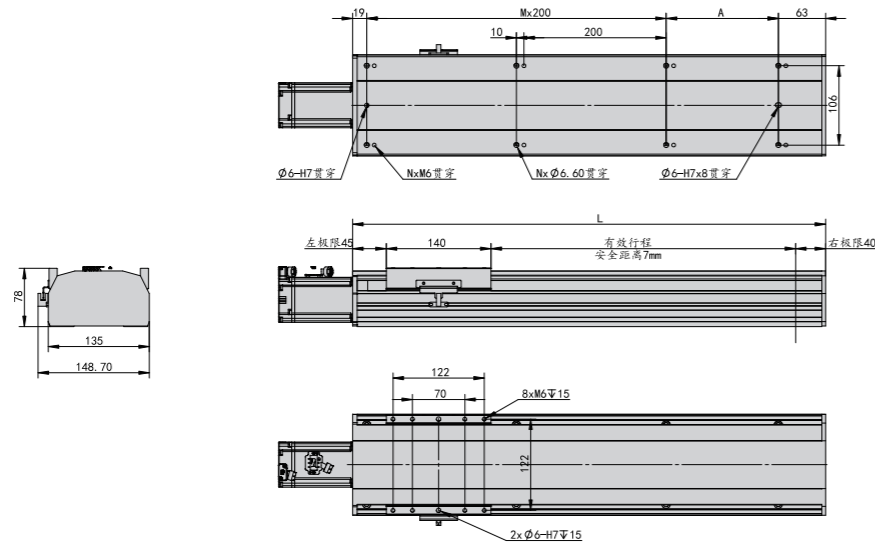
品牌 Brand	马达记号 Mark	刹车有无 Brake	马达容量 Motor capacity	电源电压 AC-Voltage	伺服马达型号 Servo motor model	驱动器型号 Driver Model
三菱 Mitsubishi	M	无刹车(水平式样) No brake (horizontal type)	400	220	HG-KN43J-S100	MR-JE-40A
松下 Panasonic	P	无刹车(水平式样) No brake (horizontal type)	400	220	MHMF042L1U2M	MBDLN25SE
台达 Delta	T	无刹车(水平式样) No brake (horizontal type)	400	220	ECM-B3M-C20604RS1	ASD-B3-0421-L



电机外置直连/电机内置直连
Motor external direct connection/Motor built in direct connection

M 电机外置直连 Motor external direct connection

单位:Unit: mm



*不含电机重量。*Motor weight not included.

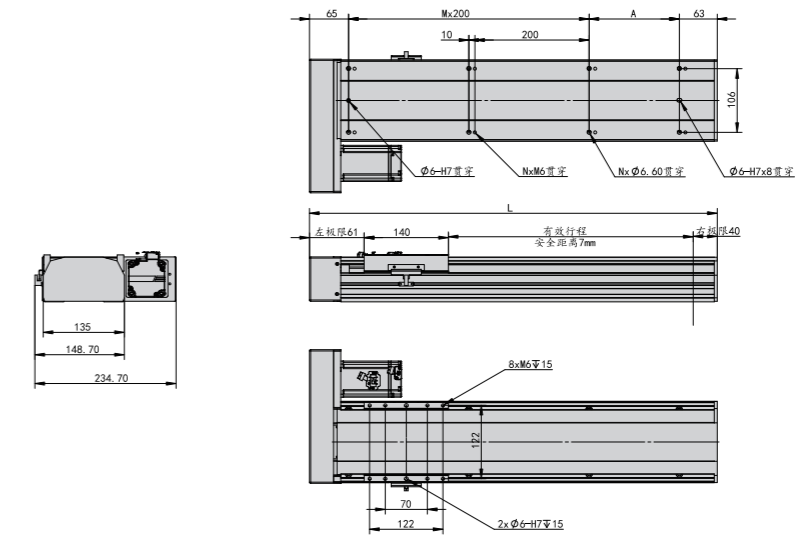
有效行程 Stroke	100	150	200	250	300	350	400	450	500	550	600	650	700	750	800	850	900	950	1000	1050
L	332	382	432	482	532	582	632	682	732	782	832	882	932	982	1032	1082	1132	1182	1232	1282
A	50	100	150	200	50	100	150	200	50	100	150	200	50	100	150	200	50	100	150	200
N	6	6	6	6	8	8	8	8	10	10	10	10	12	12	12	12	14	14	14	14
M	1	1	1	1	2	2	2	2	3	3	3	3	4	4	4	4	5	5	5	5
KG	6	6.5	7	7.5	8	8.5	9	9.5	10	10.5	11	11.5	12	12.5	13	13.5	14	14.5	15	15.5

如有超长行程及定制需求, 请咨询我司业务。If you have extra long trip and custom requirements, please consult our business.

电机外置下方/电机外置左侧
Motor external under below / Motor external left side

ML 电机外置左侧 Motor external left side

单位:Unit: mm



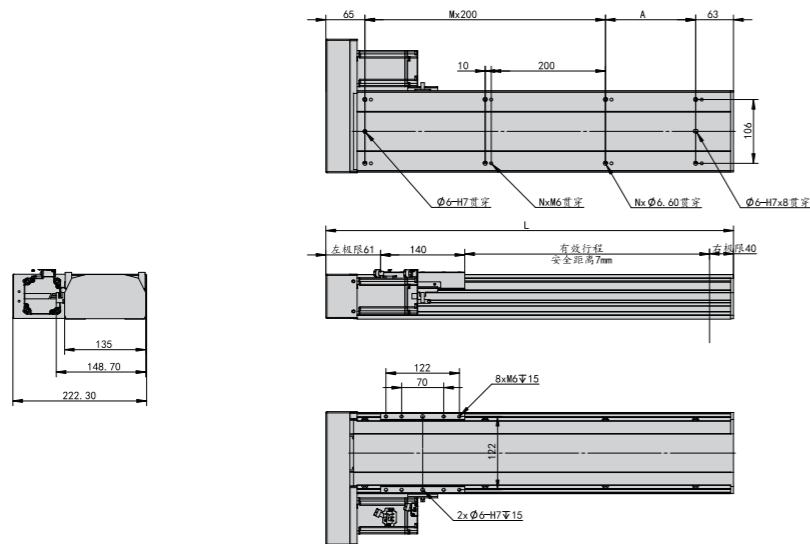
*不含电机重量。*Motor weight not included.

有效行程 Stroke	100	150	200	250	300	350	400	450	500	550	600	650	700	750	800	850	900	950	1000	1050
L	348	398	448	498	548	598	648	698	748	798	848	898	948	998	1048	1098	1148	1198	1248	1298
A	50	100	150	200	50	100	150	200	50	100	150	200	50	100	150	200	50	100	150	200
N	6	6	6	6	8	8	8	8	10	10	10	10	12	12	12	12	14	14	14	14
M	1	1	1	1	2	2	2	2	3	3	3	3	4	4	4	4	5	5	5	5
KG	6.7	7.2	7.7	8.2	8.7	9.2	9.7	10.2	10.7	11.2	11.7	12.2	12.7	13.2	13.7	14.2	14.7	15.2	15.7	16.2

如有超长行程及定制需求, 请咨询我司业务。If you have extra long trip and custom requirements, please consult our business.

MR 电机外置右侧 Motor external right side

单位:Unit: mm



*不含电机重量。*Motor weight not included.

有效行程 Stroke	100	150	200	250	300	350	400	450	500	550	600	650	700	750	800	850	900	950	1000	1050
L	348	398	448	498	548	598	648	698	748	798	848	898	948	998	1048	1098	1148	1198	1248	1298
A	50	100	150	200	50	100	150	200	50	100	150	200	50	100	150	200	50	100	150	200
N	6	6	6	6	8	8	8	8	10	10	10	10	12	12	12	12	14	14	14	14
M	1	1	1	1	2	2	2	2	3	3	3	3	4	4	4	4	5	5	5	5
KG	6.7	7.2	7.7	8.2	8.7	9.2	9.7	10.2	10.7	11.2	11.7	12.2	12.7	13.2	13.7	14.2	14.7	15.2	15.7	16.2

如有超长行程及定制需求, 请咨询我司业务。If you have extra long trip and custom requirements, please consult our business.

- HNR-E
- HNB-E
- HFR
- HNR**
- HCR
- HNB
- HCB
- HNT
- XYZ
- 参考资料
Reference data



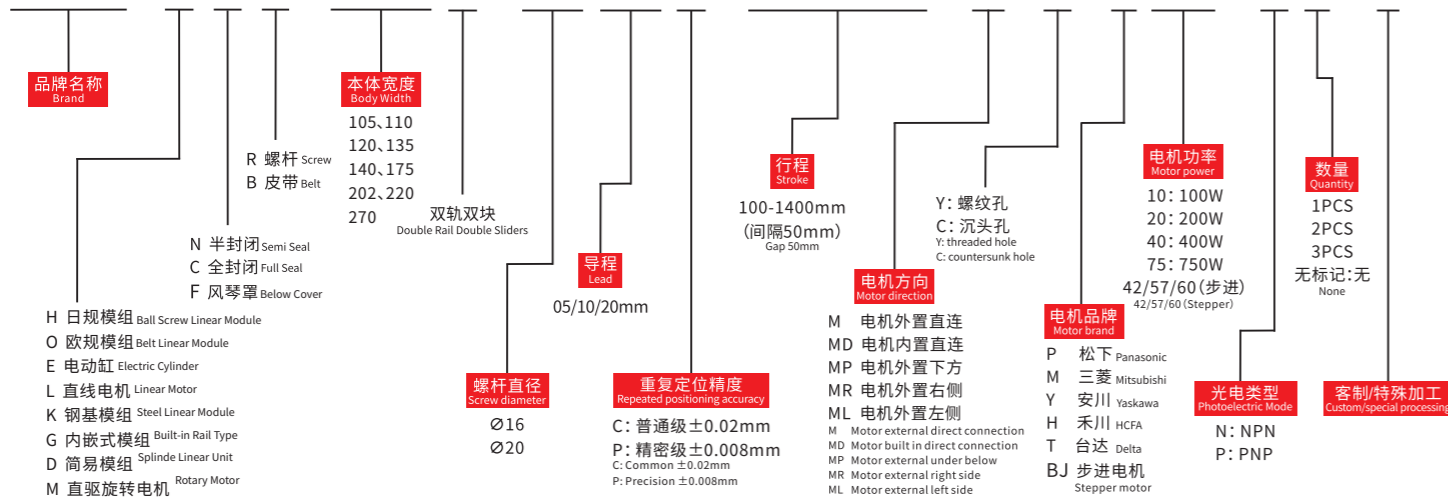
重复精度
Repeat Accuracy
±0.02 mm

此图仅供参考, 出货规格详见尺寸图面
This drawing is for reference only, Please refer to the size drawing for shipment specifications.

- 最大行程 Max stroke: 1400mm
- 最高速度 Max speed: 1000mm/s
- 马达容量 Motor output: 400W
- 滚珠螺杆 Ball screw: Ø20mm
- 直线滑轨 Linear guide: 15X12.5-2支

型号表达方式 Ordering method

TPA-HNR-140D-2010C-L1400-M-Y-P40-N3-F



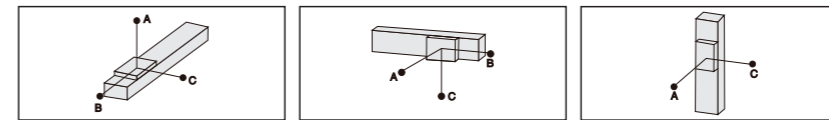
产品性能参数如下 Product performance parameters are as follows

规格 Spec	电机功率 (W) Motor power (W)	400			
	额定扭矩 (N.M) Rated torque (N.M)	1.3			
	重复定位精度 (mm) Repeated positioning accuracy (mm)	±0.02			
	导程 (mm) Lead (mm)	5	10	20	
	最高速度 (mm/s) Maximum speed (mm/s)	250	500	1000	
	电机额定转速 (RPM) Rated speed of motor (RPM)	3000			
	最大可搬重量 Maximum Payload	水平使用 (kg) Horizontal (kg)	110	88	40
		垂直使用 (kg) Vertical (kg)	50	40	25
	定格推力 (N) Rated thrust (N)	1250	625	312	
	标准行程 (mm) Stroke pitch (mm)	100~1400mm/50 间隔 50 mm Pitch			
部品 Parts	滚珠螺杆外径 (mm) Ball screw Ø (mm)	Ø20			
	基座材质 Material of base	硬质挤压铝材A1 Hard extruded aluminum A1			
	安装面精度要求 (mm) Accuracy requirements of installation surface (mm)	C级<0.05; P级<0.02 C level<0.05 P level<0.02			
	使用环境 Operating environment	0~40°C, 85%RH (无凝结) No condensation			

注1: 使用非上述功率电机时请依据实际参数推算。
Note 1: When using a motor with a power other than the above, please calculate according to the actual parameters.

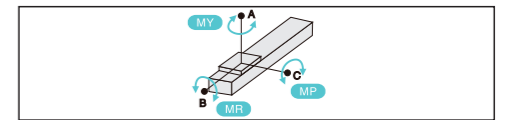
注2: 最高速度因行程和负载而异, 当螺杆细长比大于1:50时, 可能会因螺杆临界速度产生共振和抖动, 应适当下调运行速度, 一般螺杆每增长100mm, 速度应下调10~15%。
Note 2: The maximum speed varies with stroke and load. When the screw slenderness ratio is greater than 1:50, resonance and jitter may occur due to the critical speed of the screw, so the running speed should be reduced appropriately. Generally, the speed should be reduced by 10~15% for every 100mm increase of the screw.

容许负载力矩表 N.m Allowable overhang



导程 Lead	水平安装 Horizontal installation (单位Unit:mm)				侧面安装 Side mounting (单位Unit:mm)				垂直安装 Vertical installation (单位Unit:mm)					
	60kg	80kg	95kg	100kg	55kg	75kg	95kg	100kg	15kg	22kg	27kg	10kg	14kg	18kg
5	2515	1811	1537	1400	257	178	133	120	1118	770	626	1500	1072	833
10	470	266	164	150	363	218	150	104	1500	1072	833	1500	1072	833
20	1028	451	324	271	854	500	271	1005	2980	1700	1700	2980	1700	1700

静态容许负载惯量 Static loading moment



配置	惯量 (单位Unit:N.m)
MY	551
MP	552
MR	485

*力矩表所表示的数据, 代表重心。
The torque value in the chart indicate the center of gravity.

*符合型录规范的正常试用下, 保证寿命为10000公里。
Operation life is 10,000km when the product is using under the specified conditions.

*倒吊使用无法套用标准规范, 如有需求请咨询我司业务。
The standard specification cannot be applied to the use of inverted crane. Please consult our business if necessary.

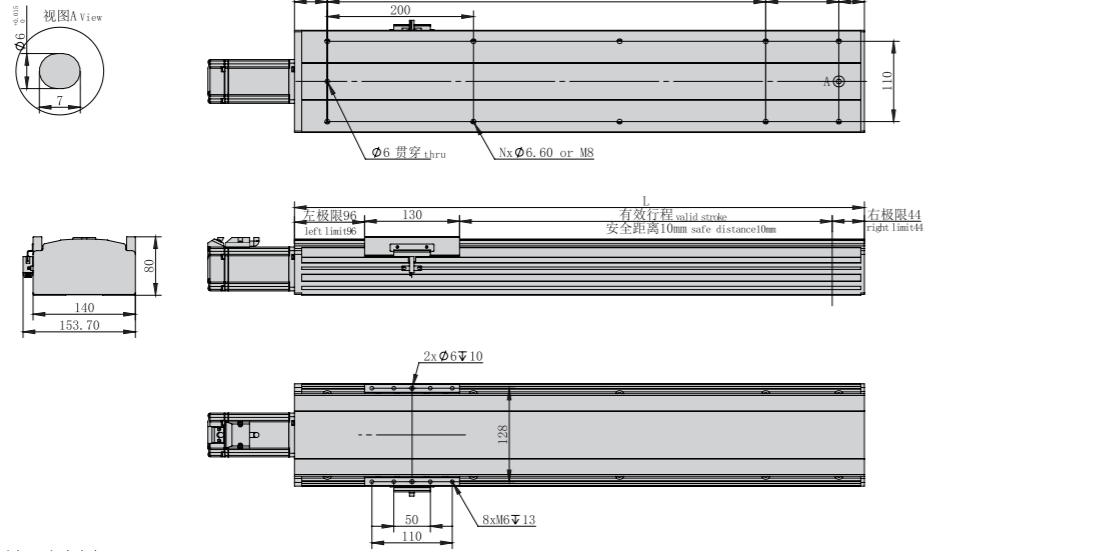
搭配伺服马达一览表 Suitable motor brand

品牌 Brand	马达记号 Mark	刹车有无 Brake	马达容量 Motor capacity	电源电压 AC-Voltage	伺服马达型号 Servo motor model	驱动器型号 Driver Model
三菱 Mitsubishi	M	无刹车(水平式样) No brake (horizontal type)	400	220	HG-KN43J-S100	MR-JE-40A
松下 Panasonic	P	无刹车(水平式样) No brake (horizontal type)	400	220	MHMF042L1U2M	MBDLN25SE
台达 Delta	T	无刹车(水平式样) No brake (horizontal type)	400	220	ECM-B3M-C20604RS1	ASD-B3-0421-L



电机外置直连/电机内置直连
Motor external direct connection/Motor built in direct connection

M 电机外置直连 Motor external direct connection



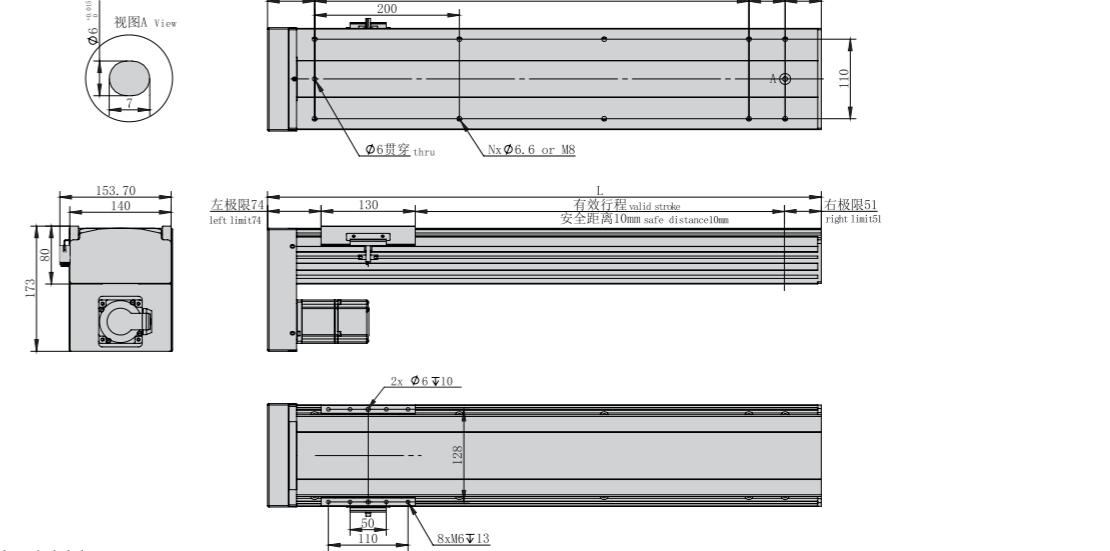
*不含电机重量。*Motor weight not included.

有效行程 Stroke	100	150	200	250	300	350	400	450	500	550	600	650	700	750	800	850	900	950	1000	1050	1100	1150	1200	1250	1300	1350	1400
L	380	430	480	530	580	630	680	730	780	830	880	930	980	1030	1080	1130	1180	1230	1280	1330	1380	1430	1480	1530	1580	1630	1680
A	100	150	200	50	100	150	200	50	100	150	200	50	100	150	200	50	100	150	200	50	100	150	200	50	100	150	200
N	6	6	6	8	8	8	8	10	10	10	10	12	12	12	12	14	14	14	14	16	16	16	16	18	18	18	18
M	1	1	1	2	2	2	2	3	3	3	3	4	4	4	4	5	5	5	5	6	6	6	6	7	7	7	7
KG	7	7.5	8	8.5	9	9.5	10	10.5	11	11.5	12	12.5	13	13.5	14	14.5	15	15.5	16	16.5	17	17.5	18	18.5	19	19.5	20

如有超长行程及定制需求, 请咨询我司业务。If you have extra long trip and custom requirements, please consult our business.

电机外置下方/电机外置左侧
Motor external under below / Motor external left side

MP 电机外置下方 Motor external under below

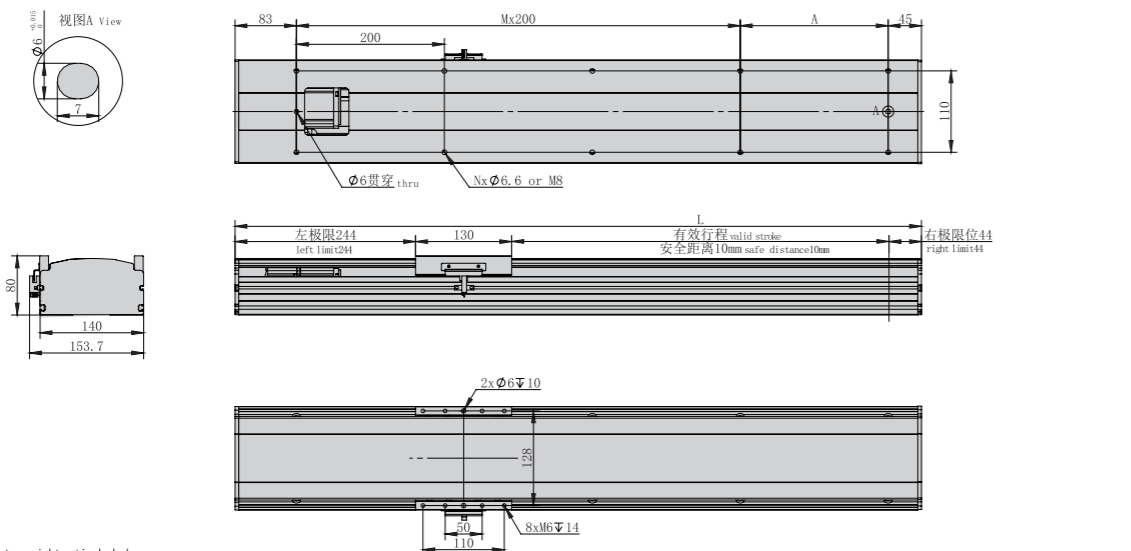


*不含电机重量。*Motor weight not included.

有效行程 Stroke	100	150	200	250	300	350	400	450	500	550	600	650	700	750	800	850	900	950	1000	1050	1100	1150	1200	1250	1300	1350	1400
L	365	415	465	515	565	615	665	715	765	815	865	915	965	1015	1065	1115	1165	1215	1265	1315	1365	1415	1465	1515	1565	1615	1665
A	50	100	150	200	50	100	150	200	50	100	150	200	50	100	150	200	50	100	150	200	50	100	150	200	50	100	150
N	6	6	6	6	8	8	8	8	10	10	10	10	12	12	12	12	14	14	14	14	16	16	16	16	18	18	18
M	1	1	1	1	2	2	2	2	3	3	3	3	4	4	4	4	5	5	5	5	6	6	6	6	7	7	7
KG	7.2	7.7	8.2	8.7	9.2	9.7	10.2	10.7	11.2	11.7	12.2	12.7	13.2	13.7	14.2	14.7	15.2	15.7	16.2	16.7	17.2	17.7	18.2	18.7	19.2	19.7	20.2

如有超长行程及定制需求, 请咨询我司业务。If you have extra long trip and custom requirements, please consult our business.

MD 电机内置直连 Motor built in direct connection

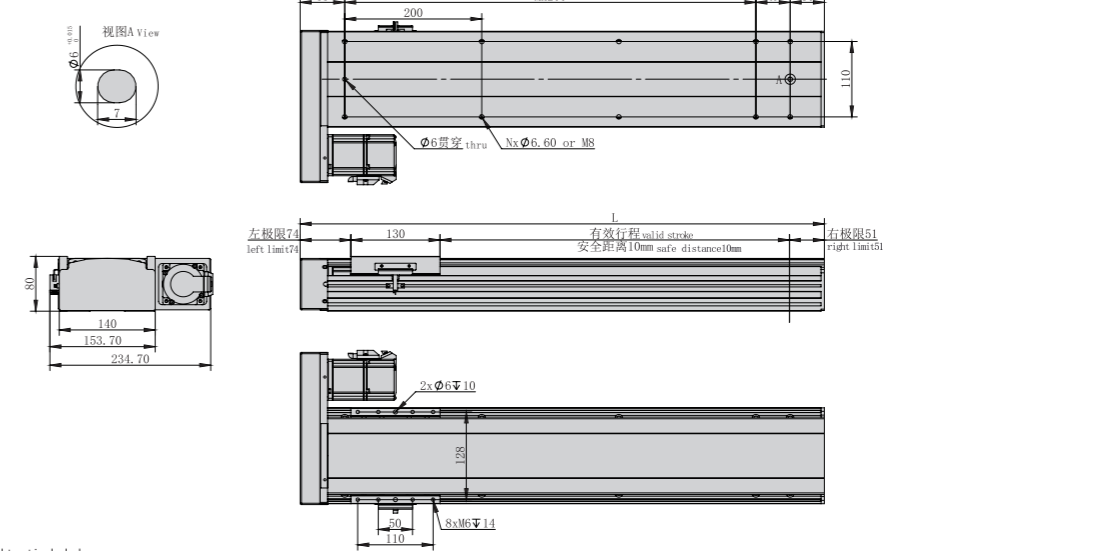


*不含电机重量。*Motor weight not included.

有效行程 Stroke	100	150	200	250	300	350	400	450	500	550	600	650	700	750	800	850	900	950	1000	1050	1100	1150	1200	1250	1300	1350	1400
L	528	578	628	678	728	778	828	878	928	978	1028	1078	1128	1178	1228	1278	1328	1378	1428	1478	1528	1578	1628	1678	1728	1778	1828
A	200	50	100	150	200	50	100	150	200	50	100	150	200	50	100	150	200	50	100	150	200	50	100	150	200	50	100
N	6	8	8	8	8	10	10	10	10	12	12	12	14	14	14	16	16	16	16	18	18	18	18	18	18	18	20
M	1	2	2	2	2	3	3	3	3	4	4	4	4	5	5	5	5	6	6	6	6	7	7	7	7	8	8
KG	7.5	8	8.5	9	9.5	10	10.5	11	11.5	12	12.5	13	13.5	14	14.5	15	15.5	16	16.5	17	17.5	18	18.5	19	19.5	20	20.5

如有超长行程及定制需求, 请咨询我司业务。If you have extra long trip and custom requirements, please consult our business.

ML 电机外置左侧 Motor external left side



*不含电机重量。*Motor weight not included.

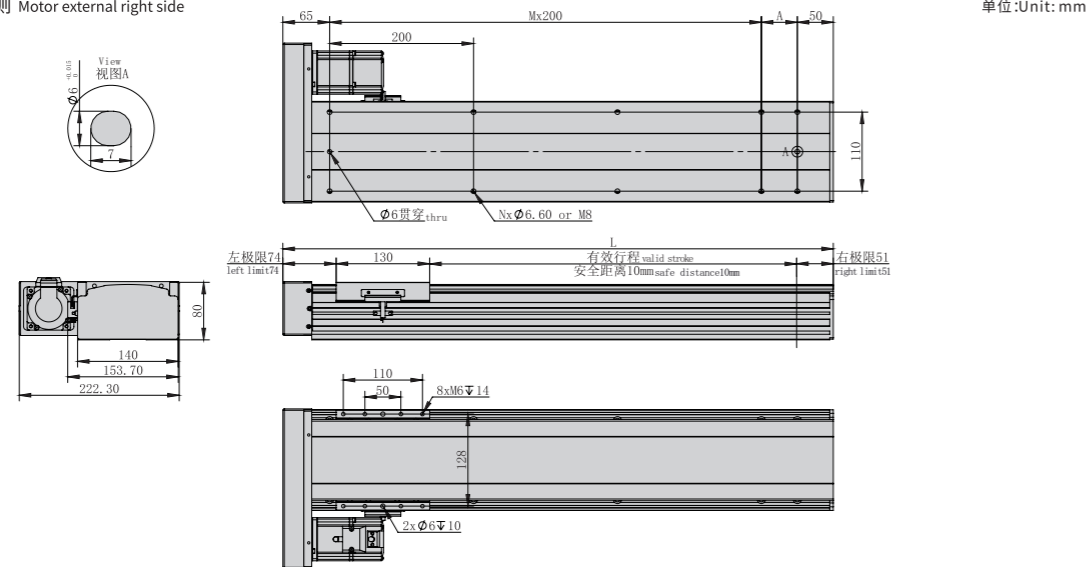
有效行程 Stroke	100	150	200	250	300	350	400	450	500	550	600	650	700	750	800	850	900	950	1000	1050	1100	1150	1200	1250	1300	1350	1400
L	365	415	465	515	565	615	665	715	765	815	865	915	965	1015	1065	1115	1165	1215	1265	1315	1365	1415	1465	1515	1565	1615	1665
A	50	100	150	200	50	100	150	200	50	100	150	200	50	100	150	200	50	100	150	200	50	100	150	200	50	100	150
N	6	6	6	6	8	8	8	8	10	10	10	10	12	12	12	12	14	14	14	14	16	16	16	16	18	18	18
M	1	1	1	1	2	2	2	2	3	3	3	3	4	4	4	4	5	5	5	5	6	6	6	6	7	7	7
KG	7.2	7.7	8.2	8.7	9.2	9.7	10.2	10.7	11.2	11.7	12.2	12.7	13.2	13.7	14.2	14.7	15.2	15.7	16.2	16.7	17.2	17.7	18.2	18.7	19.2	19.7	20.2

如有超长行程及定制需求, 请咨询我司业务。If you have extra long trip and custom requirements, please consult our business.



电机外置右侧
Motor external right side

MR 电机外置右侧 Motor external right side



单位:Unit: mm

*不含电机重量。*Motor weight not included.

有效行程 Stroke	100	150	200	250	300	350	400	450	500	550	600	650	700	750	800	850	900	950	1000	1050	1100	1150	1200	1250	1300	1350	1400	
L	365	415	465	515	565	615	665	715	765	815	865	915	965	1015	1065	1115	1165	1215	1265	1315	1365	1415	1465	1515	1565	1615	1665	
A	50	100	150	200	50	100	150	200	50	100	150	200	50	100	150	200	50	100	150	200	50	100	150	200	50	100	150	
N	6	6	6	6	8	8	8	8	10	10	10	10	12	12	12	12	14	14	14	14	16	16	16	16	16	18	18	18
M	1	1	1	1	2	2	2	2	3	3	3	3	4	4	4	4	5	5	5	5	6	6	6	6	7	7	7	
KG	7.2	7.7	8.2	8.7	9.2	9.7	10.2	10.7	11.2	11.7	12.2	12.7	13.2	13.7	14.2	14.7	15.2	15.7	16.2	16.7	17.2	17.7	18.2	18.7	19.2	19.7	20.2	

如有超长行程及定制需求, 请咨询我司业务。If you have extra long trip and custom requirements, please consult our business.

MEMO

- HNR-E
- HNB-E
- HFR
- HNR**
- HCR
- HNB
- HCB
- HNT
- XYZ
- 参考资料
Reference data



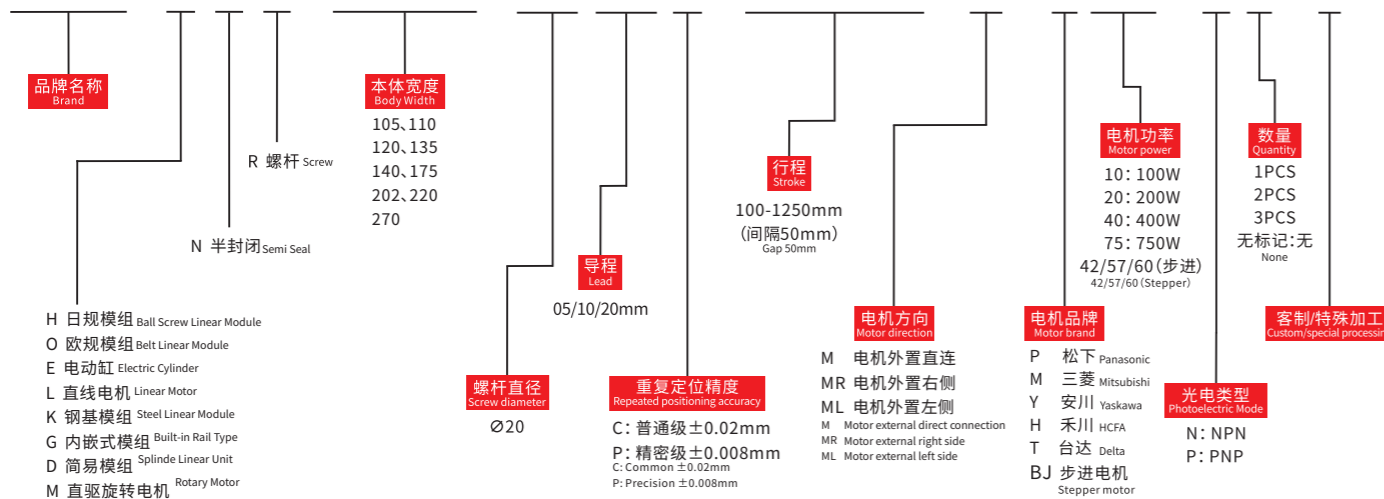
重复精度
Repeat Accuracy
±0.02 mm

此图仅供参考, 出货规格详见尺寸图面
This drawing is for reference only, Please refer to the size drawing for shipment specifications.

- 最大行程 Max stroke: 1250mm
- 最高速度 Max speed: 1000mm/s
- 马达容量 Motor output: 750W
- 滚珠螺杆 Ball screw: Ø20mm
- 直线滑轨 Linear guide: 20X15.5-2支

型号表达方式 Ordering method

TPA-HNR-170T-2010C-L1250-M-P75-N3-F



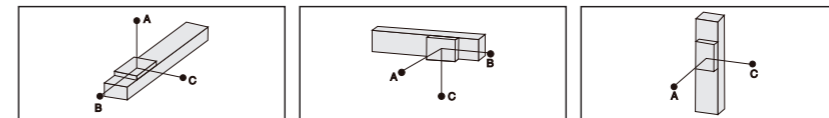
产品性能参数如下 Product performance parameters are as follows

电机功率 (W) Motor power (W)	750		
额定扭矩 (N.M) Rated torque (N.M)	2.4		
重复定位精度 (mm) Repeated positioning accuracy (mm)	±0.02		
导程 (mm) Lead (mm)	5	10	20
最高速度 (mm/s) Maximum speed (mm/s)	250	500	1000
电机额定转速 (RPM) Rated speed of motor (RPM)	3000		
最大可搬重量 Maximum Payload	水平使用 (kg) Horizontal (kg)	130	110
	垂直使用 (kg) Vertical (kg)	70	55
定格推力 (N) Rated thrust (N)	2306	1153	577
标准行程 (mm) Stroke pitch (mm)	100~1250mm/50mm间隔 50mm Pitch		
滚珠螺杆外径 (mm) Ball screw Ø (mm)	Ø20		
底座材质 Material of base	硬质挤压铝材A1 Hard extruded aluminum A1		
安装面精度要求 (mm) Accuracy requirements of installation surface (mm)	C级<0.05; P级<0.02 C level<0.05 P level<0.02		
使用环境 Operating environment	0~40°C, 85%RH (无凝结) No condensation		

注1: 使用非上述功率电机时请依据实际参数推算。
Note 1: When using a motor with a power other than the above, please calculate according to the actual parameters.

注2: 最高速度因行程和负载而异, 当螺杆细长比大于1:50时, 可能会因螺杆临界速度产生共振和抖动, 应适当下调运行速度, 一般螺杆每增长100mm, 速度应下调10~15%。
Note 2: The maximum speed varies with stroke and load. When the screw slenderness ratio is greater than 1:50, resonance and jitter may occur due to the critical speed of the screw, so the running speed should be reduced appropriately. Generally, the speed should be reduced by 10~15% for every 100mm increase of the screw.

容许负载力矩表 N.m Allowable overhang

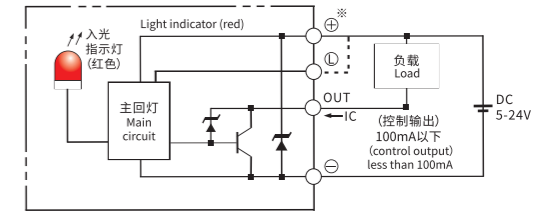


水平安装 Horizontal installation (单位Unit:mm)				侧面安装 Side mounting (单位Unit:mm)				垂直安装 Vertical installation (单位Unit:mm)			
导程 Lead	A	B	C	导程 Lead	A	B	C	导程 Lead	A	B	C
5	70kg	3235	349	408	75kg	377	322	2988	20kg	1368	1368
	90kg	2482	263	306	95kg	288	246	2333	30kg	911	911
	120kg	1861	187	218	120kg	218	187	1850	50kg	546	546
10	65kg	1911	338	373	60kg	408	368	2092	15kg	1618	1618
	85kg	1445	248	276	80kg	296	266	1554	25kg	970	970
	120kg	1000	164	182	120kg	182	164	1002	40kg	607	607
20	35kg	1666	547	538	30kg	633	644	1961	10kg	1922	1922
	55kg	1030	331	328	50kg	365	369	1143	14kg	1377	1377
	83kg	654	206	204	83kg	204	206	656	25kg	769	769

搭配伺服马达一览表 Suitable motor brand

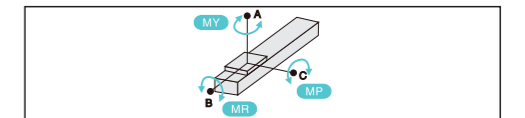
品牌 Brand	马达记号 Mark	刹车有无 Brake	马达容量 Motor capacity	电源电压 AC-Voltage	伺服马达型号 Servo motor model	驱动器型号 Driver Model
三菱 Mitsubishi	M	无刹车(水平式样) No brake (horizontal type)	750	220	HG-KN73J-S100	MR-JE-70A
松下 Panasonic	P	无刹车(水平式样) No brake (horizontal type)	750	220	MHMF082L1U2M	MCDLN35SE
台达 Delta	T	无刹车(水平式样) No brake (horizontal type)	750	220	ECM-B3M-C20807SS1	ASD-B3-0721-L

感应器连接图<原点及端点> Sensor layout



- HNR-E
- HNB-E
- HFR
- HNR
- HCR
- HNB
- HCB
- HNT
- XYZ
- 参考资料 Reference data

静态容许负载惯量 Static loading moment



	MY	MR	MP
1032			
1034			
908			

*力矩表所表示的数据, 代表重心。
The torque value in the chart indicate the center of gravity.

*符合型录规范的正常试用下, 保证寿命为10000公里。
Operation life is 10,000km when the product is using under the specified conditions.

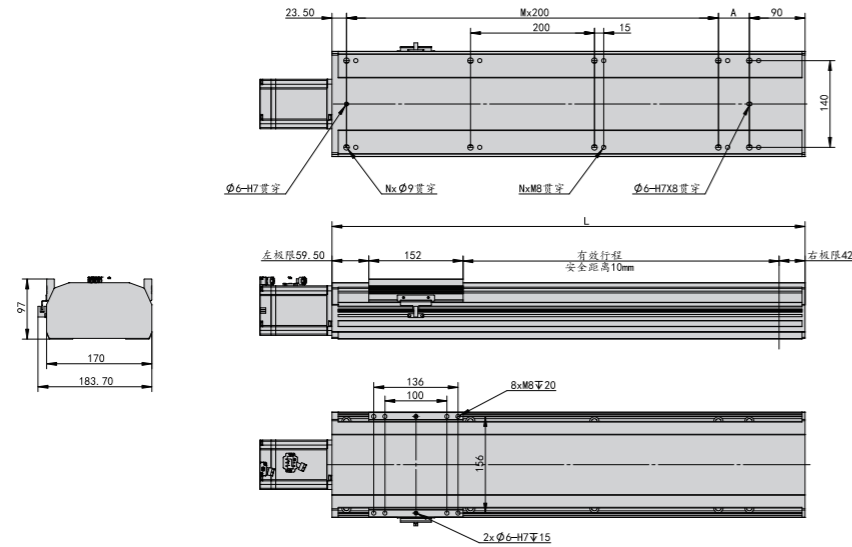
*倒吊使用无法套用标准规范, 如有需求请咨询我司业务。
The standard specification cannot be applied to the use of inverted crane. Please consult our business if necessary.



电机外置直连/电机内置直连
Motor external direct connection/Motor built in direct connection

M 电机外置直连 Motor external direct connection

单位:Unit: mm



*不含电机重量。*Motor weight not included.

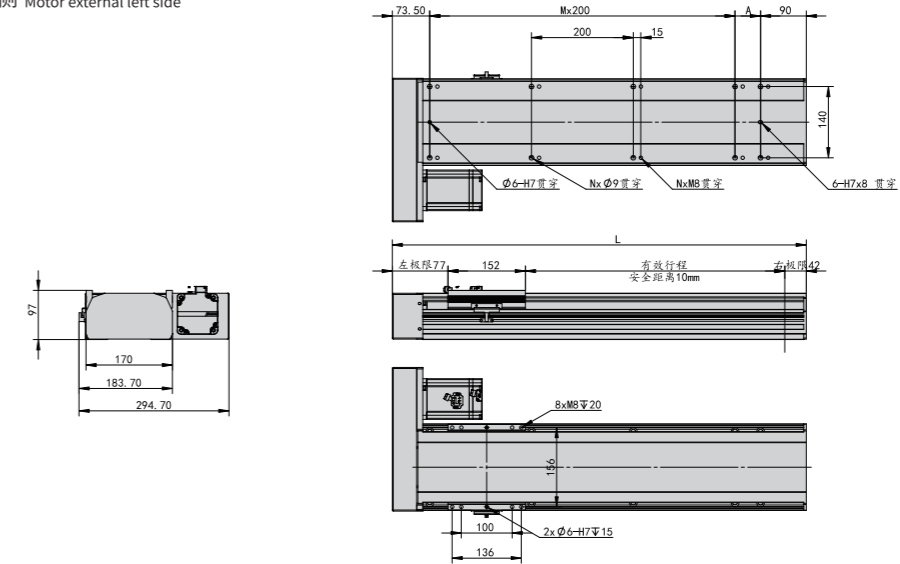
有效行程 Stroke	100	150	200	250	300	350	400	450	500	550	600	650	700	750	800	850	900	950	1000	1050	1100	1150	1200	1250
L	363.5	413.5	463.5	513.5	563.5	613.5	663.5	713.5	763.5	813.5	863.5	913.5	963.5	1013.5	1063.5	1113.5	1163.5	1213.5	1263.5	1313.5	1363.5	1413.5	1463.5	1513.5
A	50	100	150	200	50	100	150	200	50	100	150	200	50	100	150	200	50	100	150	200	50	100	150	200
N	6	6	6	6	8	8	8	8	10	10	10	10	12	12	12	12	14	14	14	14	16	16	16	16
M	1	1	1	1	2	2	2	2	3	3	3	3	4	4	4	4	5	5	5	5	6	6	6	6
KG	9.5	10.5	11.5	12.5	13.5	14.5	15.5	16.5	17.5	18.5	19.5	20.5	21.5	22.5	23.5	24.5	25.5	26.5	27.5	28.5	29.5	30.5	31.5	32.5

如有超长行程及定制需求, 请咨询我司业务。If you have extra long trip and custom requirements, please consult our business.

电机外置下方/电机外置左侧
Motor external under below / Motor external left side

ML 电机外置左侧 Motor external left side

单位:Unit: mm



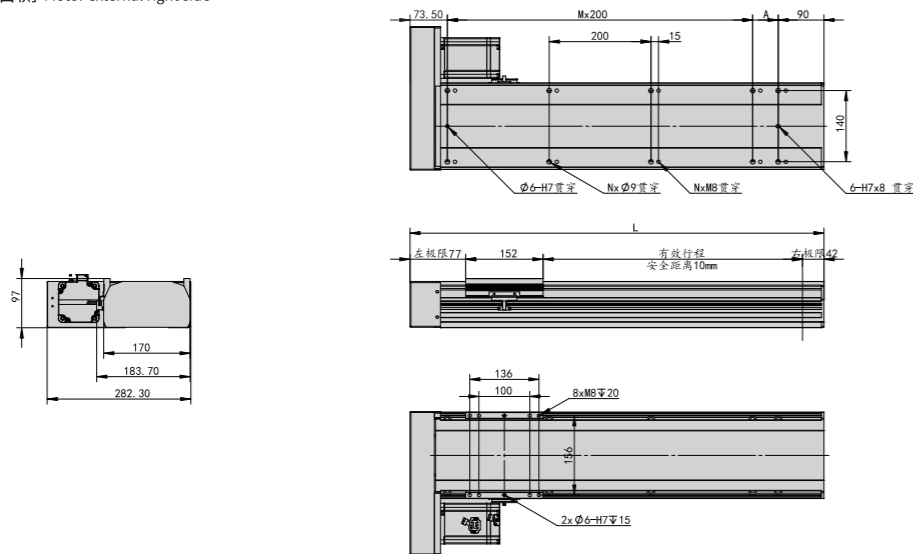
*不含电机重量。*Motor weight not included.

有效行程 Stroke	100	150	200	250	300	350	400	450	500	550	600	650	700	750	800	850	900	950	1000	1050	1100	1150	1200	1250
L	381	431	481	531	581	631	681	731	781	831	881	931	981	1031	1081	1131	1181	1231	1281	1331	1381	1431	1481	1531
A	50	100	150	200	50	100	150	200	50	100	150	200	50	100	150	200	50	100	150	200	50	100	150	200
N	6	6	6	6	8	8	8	8	10	10	10	10	12	12	12	12	14	14	14	14	16	16	16	16
M	1	1	1	1	2	2	2	2	3	3	3	3	4	4	4	4	5	5	5	5	6	6	6	6
KG	10	11	12	13	14	15	16	17	18	19	20	21	22	23	24	25	26	27	28	29	30	31	32	33

如有超长行程及定制需求, 请咨询我司业务。If you have extra long trip and custom requirements, please consult our business.

MR 电机外置右侧 Motor external right side

单位:Unit: mm



*不含电机重量。*Motor weight not included.

有效行程 Stroke	100	150	200	250	300	350	400	450	500	550	600	650	700	750	800	850	900	950	1000	1050	1100	1150	1200	1250
L	381	431	481	531	581	631	681	731	781	831	881	931	981	1031	1081	1131	1181	1231	1281	1331	1381	1431	1481	1531
A	50	100	150	200	50	100	150	200	50	100	150	200	50	100	150	200	50	100	150	200	50	100	150	200
N	6	6	6	6	8	8	8	8	10	10	10	10	12	12	12	12	14	14	14	14	16	16	16	16
M	1	1	1	1	2	2	2	2	3	3	3	3	4	4	4	4	5	5	5	5	6	6	6	6
KG	10	11	12	13	14	15	16	17	18	19	20	21	22	23	24	25	26	27	28	29	30	31	32	33

如有超长行程及定制需求, 请咨询我司业务。If you have extra long trip and custom requirements, please consult our business.

- HNR-E
- HNB-E
- HFR
- HNR**
- HCR
- HNB
- HCB
- HNT
- XYZ
- 参考资料
Reference data



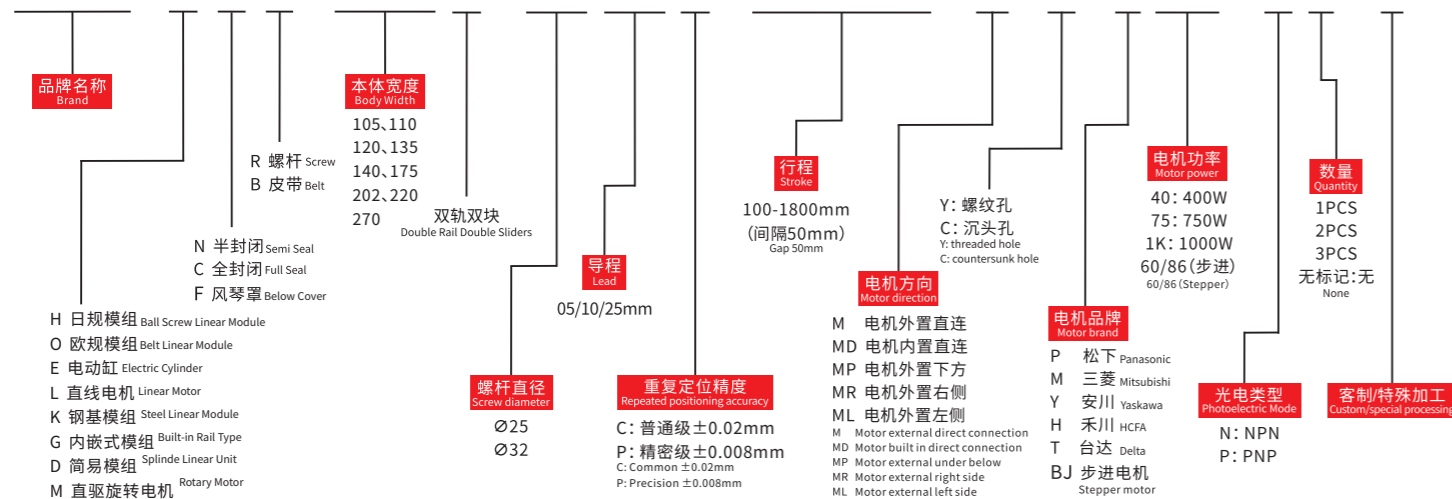
重复精度
Repeat Accuracy
±0.02 mm

此图仅供参考, 出货规格详见尺寸图面
This drawing is for reference only, Please refer to the size drawing for shipment specifications.

最大行程 Max stroke 1800mm | 最高速度 Max speed 1250mm/s | 马达容量 Motor output 750W | 滚珠螺杆 Ball screw Ø25mm | 直线滑轨 Linear guide 20X15.5-2支

型号表达方式 Ordering method

TPA-HNR-175D-2510C-L1800-M-Y-P75-N3-F

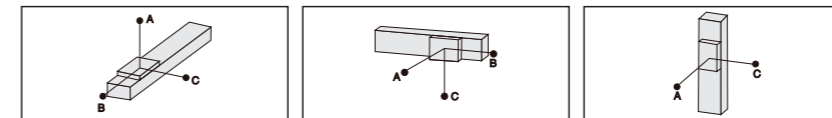


产品性能参数如下 Product performance parameters are as follows

规格 Spec	电机功率 (W) Motor power (W)	750			
	额定扭矩 (N.M) Rated torque (N.M)	2.4			
	重复定位精度 (mm) Repeated positioning accuracy (mm)	±0.02			
	导程 (mm) Lead (mm)	5	10	25	
	最高速度 (mm/s) Maximum speed (mm/s)	250	500	1250	
	电机额定转速 (RPM) Rated speed of motor (RPM)	3000			
	最大可搬重量 Maximum Payload	水平使用 (kg) Horizontal (kg)	130	110	55
		垂直使用 (kg) Vertical (kg)	70	55	32
	定格推力 (N) Rated thrust (N)	2306	1153	577	
	标准行程 (mm) Stroke pitch (mm)	100~1800mm/50 间隔 50 mm Pitch			
部品 Parts	滚珠螺杆外径 (mm) Ball screw Ø (mm)	Ø25			
	基座材质 Material of base	硬质挤压铝材A1 Hard extruded aluminum A1			
	安装面精度要求 (mm) Accuracy requirements of installation surface (mm)	C级<0.05; P级<0.02 C level<0.05 P level<0.02			
	使用环境 Operating environment	0~40°C, 85%RH (无凝结) No condensation			

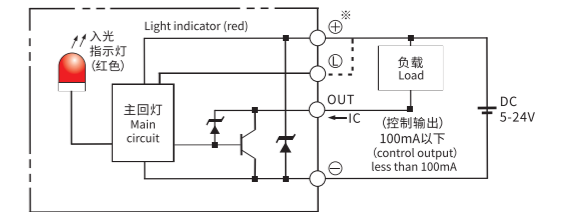
注1: 使用非上述功率电机时请依据实际参数推算。
Note 1: When using a motor with a power other than the above, please calculate according to the actual parameters.
 注2: 最高速度因行程和负载而异, 当螺杆细长比大于1:50时, 可能会因螺杆临界速度产生共振和抖动, 应适当下调运行速度, 一般螺杆每增长100mm, 速度应下调10~15%。
Note 2: The maximum speed varies with stroke and load. When the screw slenderness ratio is greater than 1:50, resonance and jitter may occur due to the critical speed of the screw, so the running speed should be reduced appropriately. Generally, the speed should be reduced by 10~15% for every 100mm increase of the screw.

容许负载力矩表 N.m Allowable overhang



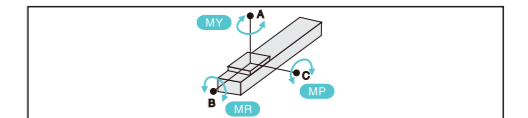
导程 Lead	水平安装 Horizontal installation (单位Unit:mm)			侧面安装 Side mounting (单位Unit:mm)			垂直安装 Vertical installation (单位Unit:mm)				
	A	B	C	A	B	C	A	B	C		
5	70kg	3235	349	408	75kg	377	322	2988	20kg	1368	1368
	90kg	2482	263	306	95kg	288	246	2333	30kg	911	911
	120kg	1861	187	218	120kg	218	187	1850	50kg	546	546
10	65kg	1911	338	373	60kg	408	368	2092	15kg	1618	1618
	85kg	1445	248	276	80kg	296	266	1554	25kg	970	970
	120kg	1000	164	182	120kg	182	164	1002	40kg	607	607
25	35kg	1666	547	538	30kg	633	644	1961	10kg	1922	1922
	55kg	1030	331	328	50kg	365	369	1143	14kg	1377	1377
	83kg	654	206	204	83kg	204	206	656	25kg	769	769

感应器连接图<原点及端点> Sensor layout



HNR-E
HNB-E
HFR
HNR
HCR
HNB
HCB
HNT
XYZ
参考资料 Reference data

静态容许负载惯量 Static loading moment



	MY	MP	MR
1032			
1034			
908			

*力矩表所表示的数据, 代表重心。
The torque value in the chart indicate the center of gravity.
 *符合型录规范的正常试用下, 保证寿命为10000公里。
Operation life is 10,000km when the product is using under the specified conditions.
 *倒吊使用无法套用标准规范, 如有需求请咨询我司业务。
The standard specification cannot be applied to the use of inverted crane. Please consult our business if necessary.

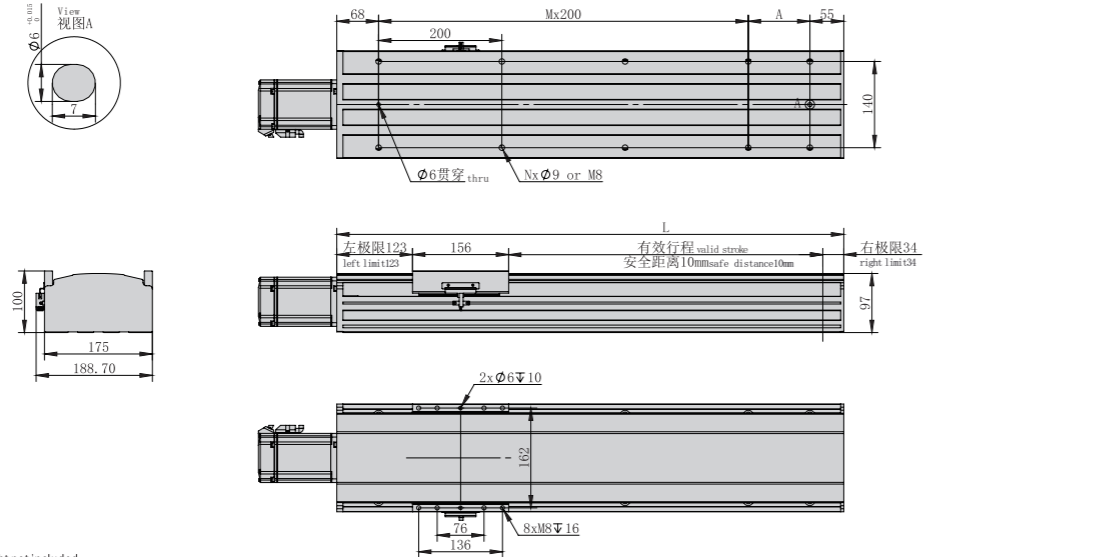
搭配伺服马达一览表 Suitable motor brand

品牌 Brand	马达记号 Mark	刹车有无 Brake	马达容量 Motor capacity	电源电压 AC-Voltage	伺服马达型号 Servo motor model	驱动器型号 Driver Model
三菱 Mitsubishi	M	无刹车(水平式样) No brake (horizontal type)	750	220	HG-KN73J-S100	MR-JE-70A
松下 Panasonic	P	无刹车(水平式样) No brake (horizontal type)	750	220	MHMF082L1U2M	MCDLN35SE
台达 Delta	T	无刹车(水平式样) No brake (horizontal type)	750	220	ECM-B3M-C20807SS1	ASD-B3-0721-L



电机外置直连/电机内置直连
Motor external direct connection/Motor built in direct connection

M 电机外置直连 Motor external direct connection



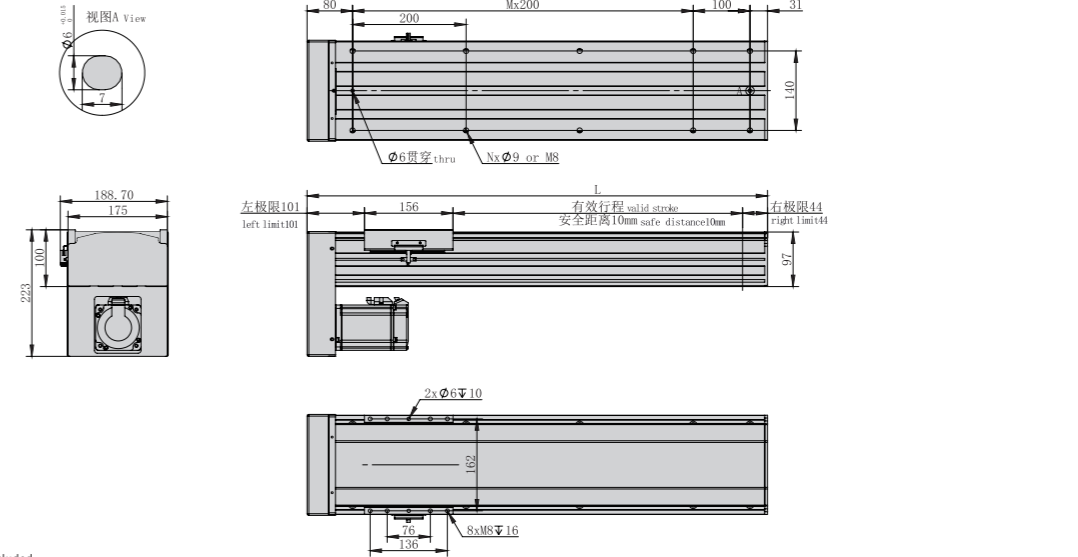
*不含电机重量。*Motor weight not included.

有效行程 Stroke	100	150	200	250	300	350	400	450	500	550	600	650	700	750	800	850	900	950	1000	1050	1100	1150	1200	1250	1300	1350	1400	1450	1500	1550	1600	1650	1700	1750	1800
L	423	473	523	573	623	673	723	773	823	873	923	973	1023	1073	1123	1173	1223	1273	1323	1373	1423	1473	1523	1573	1623	1673	1723	1773	1823	1873	1923	1973	2023	2073	2123
A	100	150	200	50	100	150	200	50	100	150	200	50	100	150	200	50	100	150	200	50	100	150	200	50	100	150	200	50	100	150	200	50	100	150	200
N	6	6	6	8	8	8	8	10	10	10	10	12	12	12	12	14	14	14	14	16	16	16	16	18	18	18	18	20	20	20	20	22	22	22	22
M	1	1	1	2	2	2	2	3	3	3	3	4	4	4	4	5	5	5	5	6	6	6	6	7	7	7	7	8	8	8	8	9	9	9	9
KG	13.5	14.5	15.5	16.5	17.5	18.5	19.5	20.5	21.5	22.5	23.5	24.5	25.5	26.5	27.5	28.5	29.5	30.5	31.5	32.5	33.5	34.5	35.5	36.5	37.5	38.5	39.5	40.5	41.5	42.5	43.5	44.5	45.5	46.5	47.5

如有超长行程及定制需求, 请咨询我司业务。If you have extra long trip and custom requirements, please consult our business.

电机外置下方/电机外置左侧
Motor external under below / Motor external left side

MP 电机外置下方 Motor external under below

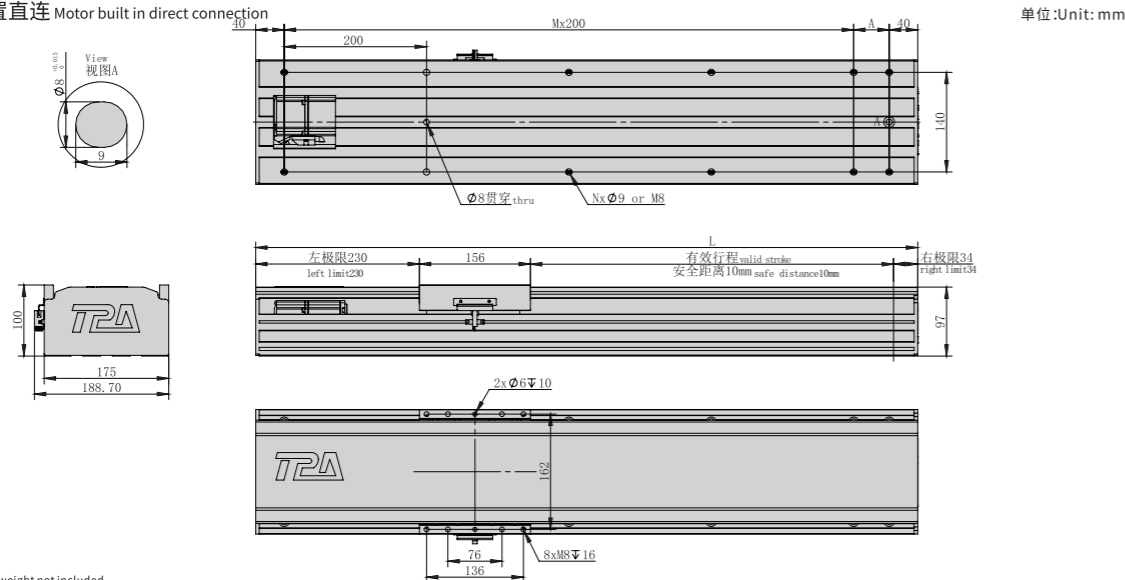


*不含电机重量。*Motor weight not included.

有效行程 Stroke	100	150	200	250	300	350	400	450	500	550	600	650	700	750	800	850	900	950	1000	1050	1100	1150	1200	1250	1300	1350	1400	1450	1500	1550	1600	1650	1700	1750	1800
L	411	461	511	561	611	661	711	761	811	861	911	961	1011	1061	1111	1161	1211	1261	1311	1361	1411	1461	1511	1561	1611	1661	1711	1761	1811	1861	1911	1961	201	2061	2111
A	100	150	200	50	100	150	200	50	100	150	200	50	100	150	200	50	100	150	200	50	100	150	200	50	100	150	200	50	100	150	200	50	100	150	200
N	6	6	6	8	8	8	8	10	10	10	10	12	12	12	12	14	14	14	14	16	16	16	16	18	18	18	18	20	20	20	20	22	22	22	22
M	1	1	1	2	2	2	2	3	3	3	3	4	4	4	4	5	5	5	5	6	6	6	6	7	7	7	7	8	8	8	8	9	9	9	9
KG	14	15	16	17	18	19	20	21	22	23	24	25	26	27	28	29	30	31	32	33	34	35	36	37	38	39	40	41	42	43	44	45	46	47	48

如有超长行程及定制需求, 请咨询我司业务。If you have extra long trip and custom requirements, please consult our business.

MD 电机内置直连 Motor built in direct connection

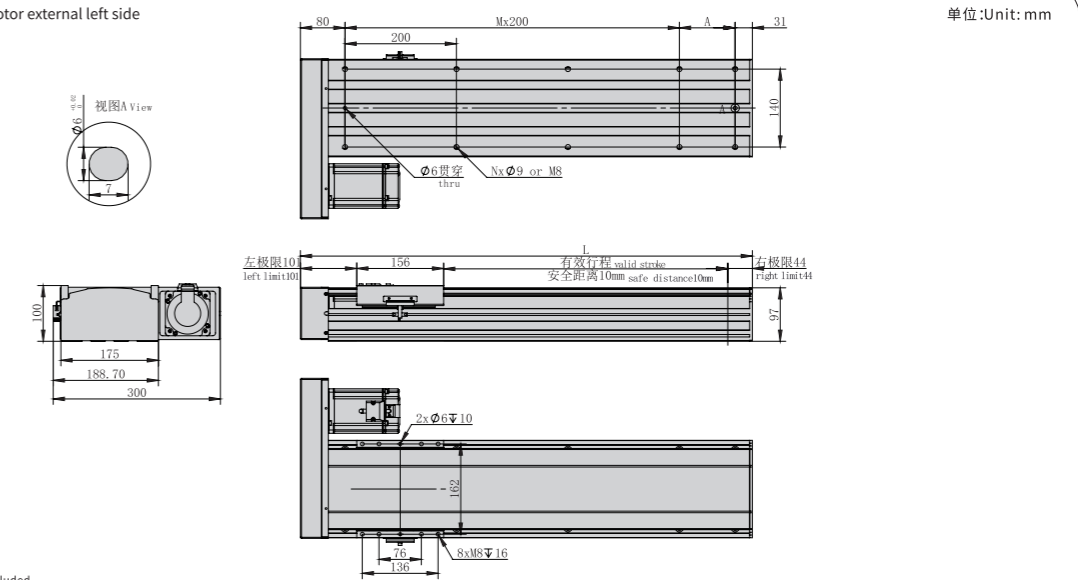


*不含电机重量。*Motor weight not included.

有效行程 Stroke	100	150	200	250	300	350	400	450	500	550	600	650	700	750	800	850	900	950	1000	1050	1100	1150	1200	1250	1300	1350	1400	1450	1500	1550	1600	1650	1700	1750	1800	
L	530	580	630	680	730	780	830	880	930	980	1030	1080	1130	1180	1230	1280	1330	1380	1430	1480	1530	1580	1630	1680	1730	1780	1830	1880	1930	1980	2030	2080	2130	2180	2230	
A	50	100	150	200	50	100	150	200	50	100	150	200	50	100	150	200	50	100	150	200	50	100	150	200	50	100	150	200	50	100	150	200	50	100	150	200
N	8	8	8	8	10	10	10	10	12	12	12	12	14	14	14	14	16	16	16	16	18	18	18	18	20	20	20	20	22	22	22	22	24	24	24	24
M	2	2	2	2	3	3	3	3	4	4	4	4	5	5	5	5	6	6	6	6	7	7	7	7	8	8	8	8	9	9	9	9	10	10	10	
KG	14.8	15.8	16.8	17.8	18.8	19.8	20.8	21.8	22.8	23.8	24.8	25.8	26.8	27.8	28.8	29.8	30.8	31.8	32.8	33.8	34.8	35.8	36.8	37.8	38.8	39.8	40.8	41.8	42.8	43.8	44.8	45.8	46.8	47.8	48.8	

如有超长行程及定制需求, 请咨询我司业务。If you have extra long trip and custom requirements, please consult our business.

ML 电机外置左侧 Motor external left side



*不含电机重量。*Motor weight not included.

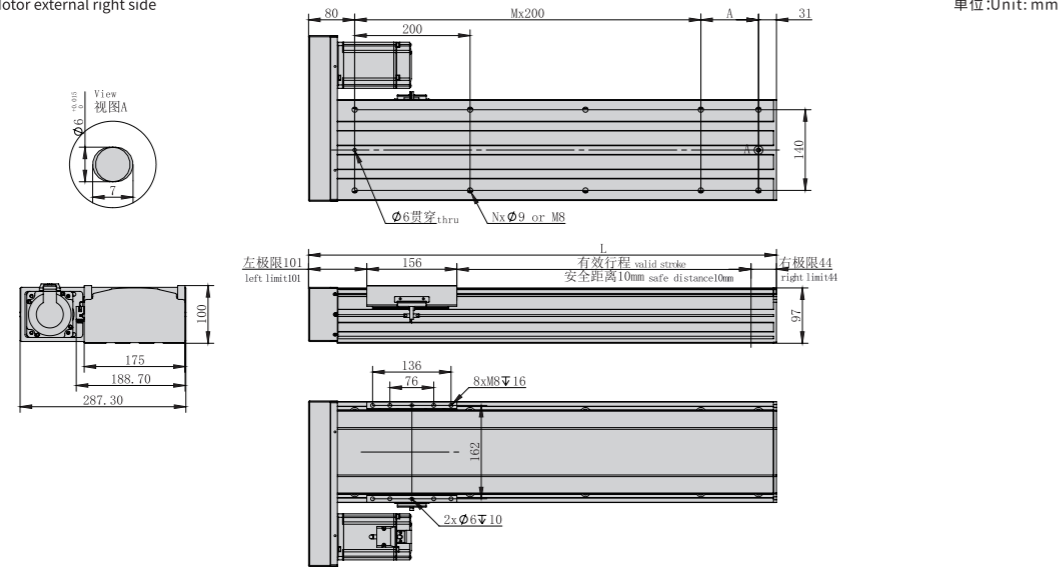
有效行程 Stroke	100	150	200	250	300	350	400	450	500	550	600	650	700	750	800	850	900	950	1000	1050	1100	1150	1200	1250	1300	1350	1400	1450	1500	1550	1600	1650	1700	1750	1800
L	411	461	511	561	611	661	711	761	811	861	911	961	1011	1061	1111	1161	1211	1261	1311	1361	1411	1461	1511	1561	1611	1661	1711	1761	1811	1861	1911	1961	20	2061	2111
A	100	150	200	50	100	150	200	50	100	150	200	50	100	150	200	50	100	150	200	50	100	150	200	50	100	150	200	50	100	150	200	50	100	150	200
N	6	6	6	8	8	8	8	10	10	10	10	12	12	12	12	14	14	14	14	16	16	16	16	18	18	18	18	20	20	20	20	22	22	22	22
M	1	1	1	2	2	2	2	3	3	3	3	4	4	4	4	5	5	5	5	6	6	6	6	7	7	7	7	8	8	8	8	9	9	9	9
KG	14	15	16	17	18	19	20	21	22	23	24	25	26	27	28	29	30	31	32	33	34	35	36	37	38	39	40	41	42	43	44	45	46	47	48

如有超长行程及定制需求, 请咨询我司业务。If you have extra long trip and custom requirements, please consult our business.



电机外置右侧
Motor external right side

MR 电机外置右侧 Motor external right side



*不含电机重量。*Motor weight not included.

有效行程 Stroke	100	150	200	250	300	350	400	450	500	550	600	650	700	750	800	850	900	950	1000	1050	1100	1150	1200	1250	1300	1350	1400	1450	1500	1550	1600	1650	1700	1750	1800
L	411	461	511	561	611	661	711	761	811	861	911	961	1011	1061	1111	1161	1211	1261	1311	1361	1411	1461	1511	1561	1611	1661	1711	1761	1811	1861	1911	1961	2011	2061	2111
A	100	150	200	50	100	150	200	50	100	150	200	50	100	150	200	50	100	150	200	50	100	150	200	50	100	150	200	50	100	150	200	50	100	150	200
N	6	6	6	8	8	8	8	10	10	10	10	12	12	12	12	14	14	14	14	16	16	16	16	18	18	18	18	20	20	20	20	22	22	22	22
M	1	1	1	2	2	2	2	3	3	3	3	4	4	4	4	5	5	5	5	6	6	6	6	7	7	7	7	8	8	8	8	9	9	9	9
KG	14	15	16	17	18	19	20	21	22	23	24	25	26	27	28	29	30	31	32	33	34	35	36	37	38	39	40	41	42	43	44	45	46	47	48

如有超长行程及定制需求, 请咨询我司业务。 If you have extra long trip and custom requirements, please consult our business.

MEMO

- HNR-E
- HNB-E
- HFR
- HNR**
- HCR
- HNB
- HCBC
- HNT
- XYZ
- 参考资料
Reference data



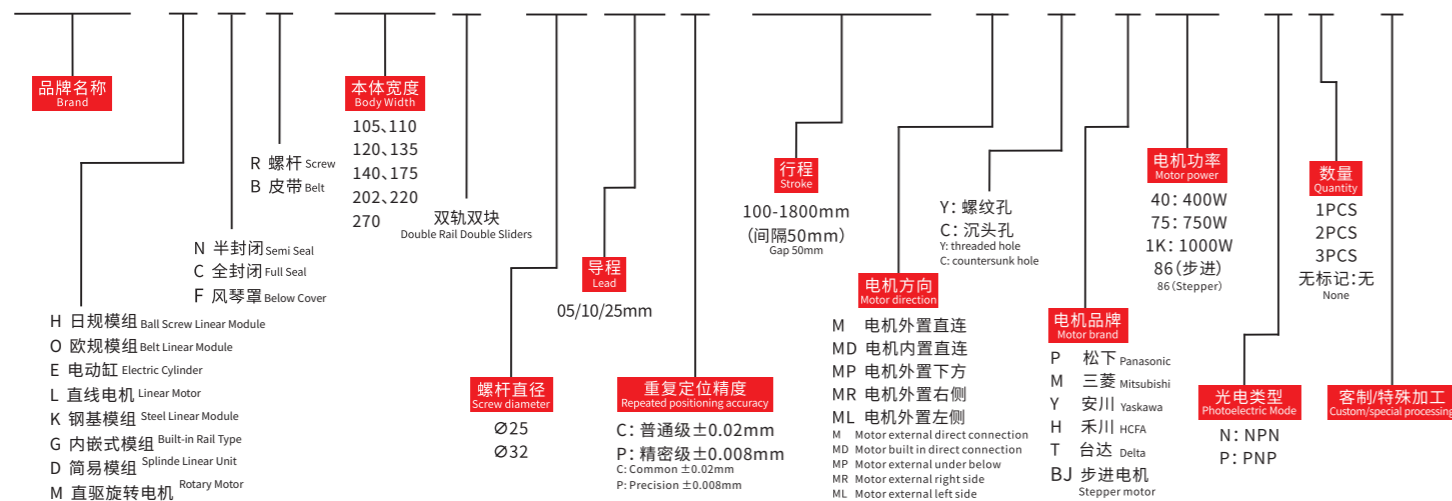
重复精度
Repeat Accuracy
±0.02 mm

此图仅供参考, 出货规格详见尺寸图面
This drawing is for reference only, Please refer to the size drawing for shipment specifications.

最大行程 Max stroke 1800mm 最高速度 Max speed 1250mm/s 马达容量 Motor output 750W 滚珠螺杆 Ball screw Ø25mm 直线滑轨 Linear guide 25X22-2支

型号表达方式 Ordering method

TPA-HNR-202D-2510C-L1800-M-Y-P75-N3-F

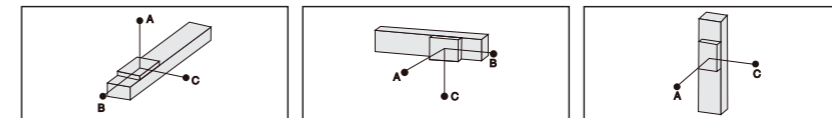


产品性能参数如下 Product performance parameters are as follows

规格 Spec	电机功率 (W) Motor power (W)	750			
	额定扭矩 (N.M) Rated torque (N.M)	2.4			
	重复定位精度 (mm) Repeated positioning accuracy (mm)	±0.02			
	导程 (mm) Lead (mm)	5	10	25	
	最高速度 (mm/s) Maximum speed (mm/s)	250	500	1250	
	电机额定转速 (RPM) Rated speed of motor (RPM)	3000			
	最大可搬重量 Maximum Payload	水平使用 (kg) Horizontal (kg)	160	160	64
		垂直使用 (kg) Vertical (kg)	70	55	32
	定格推力 (N) Rated thrust (N)	2306	1153	577	
	标准行程 (mm) Stroke pitch (mm)	100~1800mm/50 间隔 50 mm Pitch			
部品 Parts	滚珠螺杆外径 (mm) Ball screw Ø (mm)	Ø25			
	基座材质 Material of base	硬质挤压铝材A1 Hard extruded aluminum A1			
	安装面精度要求 (mm) Accuracy requirements of installation surface (mm)	C级<0.05; P级<0.02 C level<0.05 P level<0.02			
	使用环境 Operating environment	0~40°C, 85%RH (无凝结) No condensation			

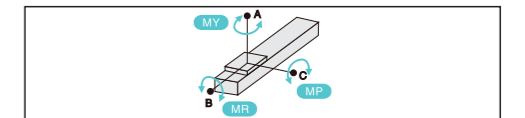
注1: 使用非上述功率电机时请依据实际参数推算。
Note 1: When using a motor with a power other than the above, please calculate according to the actual parameters.
 注2: 最高速度因行程和负载而异, 当螺杆细长比大于1:50时, 可能会因螺杆临界速度产生共振和抖动, 应适当下调运行速度, 一般螺杆每增长100mm, 速度应下调10~15%。
Note 2: The maximum speed varies with stroke and load. When the screw slenderness ratio is greater than 1:50, resonance and jitter may occur due to the critical speed of the screw, so the running speed should be reduced appropriately. Generally, the speed should be reduced by 10~15% for every 100mm increase of the screw.

容许负载力矩表 N.m Allowable overhang



导程 Lead	水平安装 Horizontal installation (单位Unit:mm)				侧面安装 Side mounting (单位Unit:mm)				垂直安装 Vertical installation (单位Unit:mm)				
	40kg	80kg	100kg	120kg	A	B	C	10kg	20kg	30kg	A	B	C
5 Lead	1000	780	680	580	380	190	140	10kg	710	560	1200	710	560
10 Lead	900	710	610	505	250	130	90	8kg	1000	400	1000	600	400
25 Lead	1100	790	670	500	350	200	120	5kg	1100	800	1100	800	-

静态容许负载惯量 Static loading moment



MY	MP	MR	(单位Unit:N.m)
MY	MP	MR	2052, 2052, 1810

*力矩表所表示的数据, 代表重心。
The torque value in the chart indicate the center of gravity.
 *符合型录规范的正常试用下, 保证寿命为10000公里。
Operation life is 10,000km when the product is using under the specified conditions.
 *倒吊使用无法套用标准规范, 如有需求请咨询我司业务。
The standard specification cannot be applied to the use of inverted crane. Please consult our business if necessary.

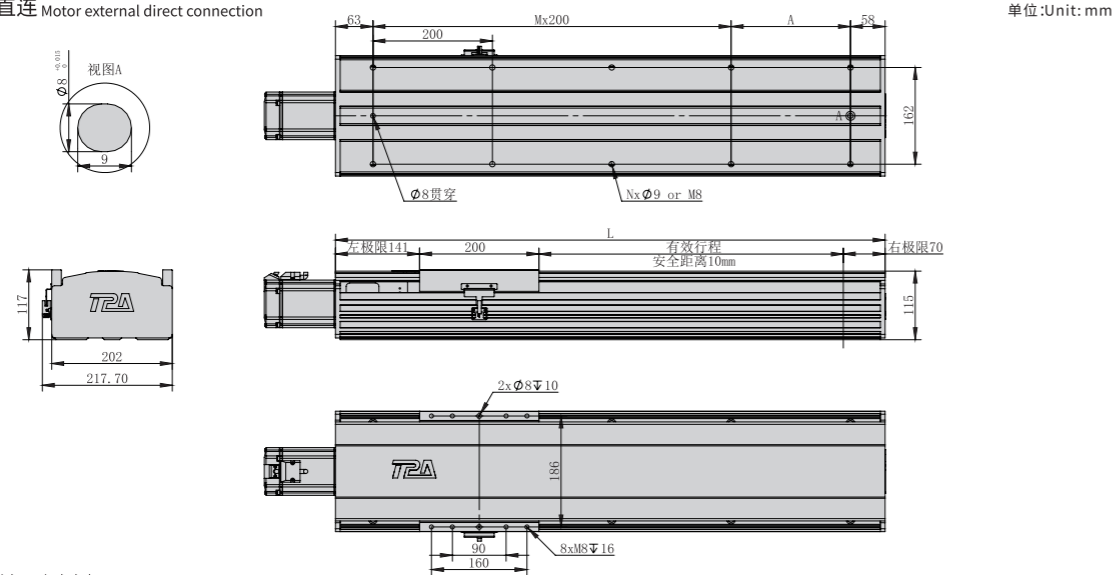
搭配伺服马达一览表 Suitable motor brand

品牌 Brand	马达记号 Mark	刹车有无 Brake	马达容量 Motor capacity	电源电压 AC-Voltage	伺服马达型号 Servo motor model	驱动器型号 Driver Model
三菱 Mitsubishi	M	无刹车(水平式样) No brake (horizontal type)	750	220	HG-KN73J-S100	MR-JE-70A
松下 Panasonic	P	无刹车(水平式样) No brake (horizontal type)	750	220	MHMF082L1U2M	MCDLN35SE
台达 Delta	T	无刹车(水平式样) No brake (horizontal type)	750	220	ECM-B3M-C20807SS1	ASD-B3-0721-L



电机外置直连/电机内置直连
Motor external direct connection/Motor built in direct connection

M 电机外置直连 Motor external direct connection



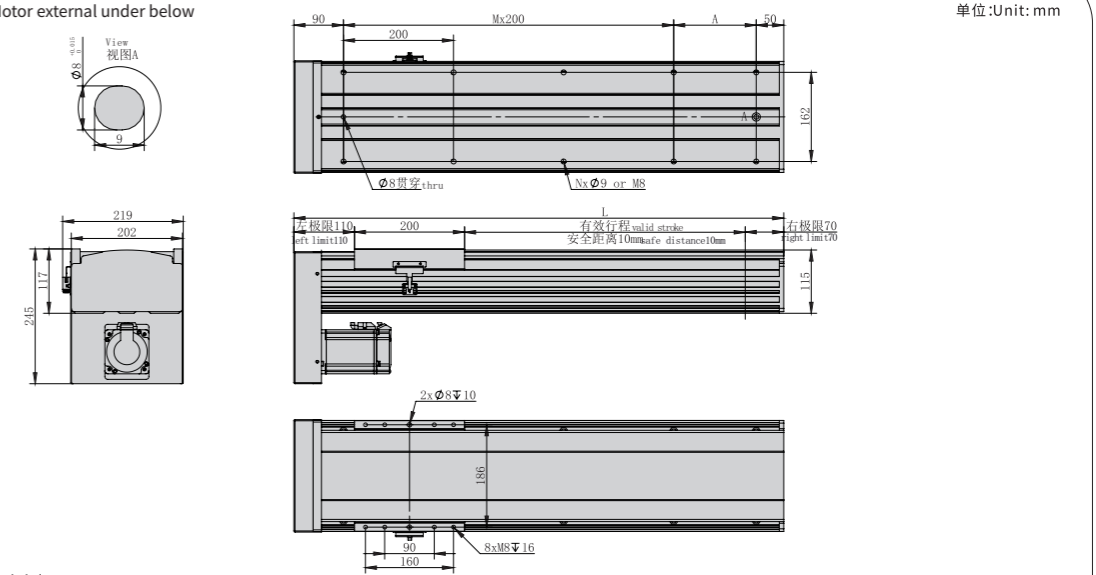
*不含电机重量。*Motor weight not included.

有效行程 Stroke	100	150	200	250	300	350	400	450	500	550	600	650	700	750	800	850	900	950	1000	1050	1100	1150	1200	1250	1300	1350	1400	1450	1500	1550	1600	1650	1700	1750	1800
L	521	571	621	671	721	771	821	871	921	971	1021	1071	1121	1171	1221	1271	1321	1371	1421	1471	1521	1571	1621	1671	1721	1771	1821	1871	1921	1971	2021	2071	2121	2171	2221
A	200	50	100	150	200	50	100	150	200	50	100	150	200	50	100	150	200	50	100	150	200	50	100	150	200	50	100	150	200	50	100	150	200	50	100
N	6	8	8	8	8	10	10	10	10	12	12	12	12	14	14	14	14	16	16	16	16	18	18	18	18	20	20	20	20	22	22	22	22	24	24
M	1	2	2	2	2	3	3	3	3	4	4	4	4	5	5	5	5	6	6	6	6	7	7	7	7	8	8	8	8	9	9	9	9	10	10
KG	21	22.5	24	25.5	27	28.5	30	31.5	33	34.5	36	37.5	39	40.5	42	43.5	45	46.5	48	49.5	51	52.5	54	55.5	57	58.5	60	61.5	63	64.5	66	67.5	69	70.5	72

如有超长行程及定制需求, 请咨询我司业务。If you have extra long trip and custom requirements, please consult our business.

电机外置下方/电机外置左侧
Motor external under below / Motor external left side

MP 电机外置下方 Motor external under below

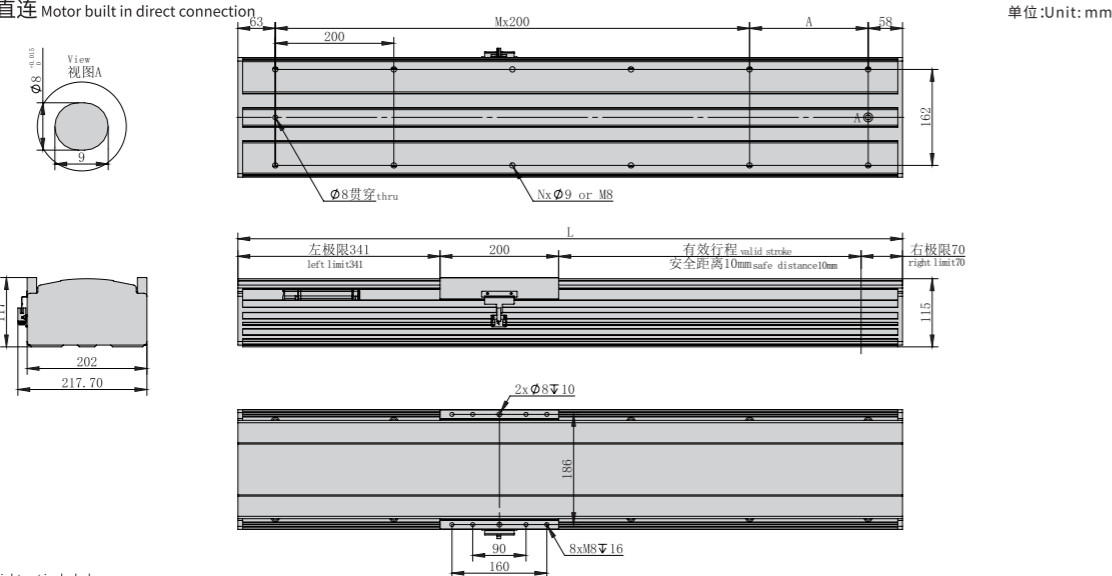


*不含电机重量。*Motor weight not included.

有效行程 Stroke	100	150	200	250	300	350	400	450	500	550	600	650	700	750	800	850	900	950	1000	1050	1100	1150	1200	1250	1300	1350	1400	1450	1500	1550	1600	1650	1700	1750	1800
L	490	540	590	640	690	740	790	840	890	940	990	1040	1090	1140	1190	1240	1290	1340	1390	1440	1490	1540	1590	1640	1690	1740	1790	1840	1890	1940	1990	2040	2090	2140	2190
A	150	200	50	100	150	200	50	100	150	200	50	100	150	200	50	100	150	200	50	100	150	200	50	100	150	200	50	100	150	200	50	100	150	200	50
N	6	6	8	8	8	8	10	10	10	10	12	12	12	12	14	14	14	14	16	16	16	16	18	18	18	18	20	20	20	20	22	22	22	22	24
M	1	1	2	2	2	2	3	3	3	3	4	4	4	4	5	5	5	5	6	6	6	6	7	7	7	7	8	8	8	8	9	9	9	9	10
KG	23	24.5	26	27.5	29	30.5	32	33.5	35	36.5	38	39.5	41	42.5	44	45.5	47	48.5	50	51.5	53	54.5	56	57.5	59	60.5	62	63.5	65	66.5	68	69.5	71	72.5	74

如有超长行程及定制需求, 请咨询我司业务。If you have extra long trip and custom requirements, please consult our business.

MD 电机内置直连 Motor built in direct connection

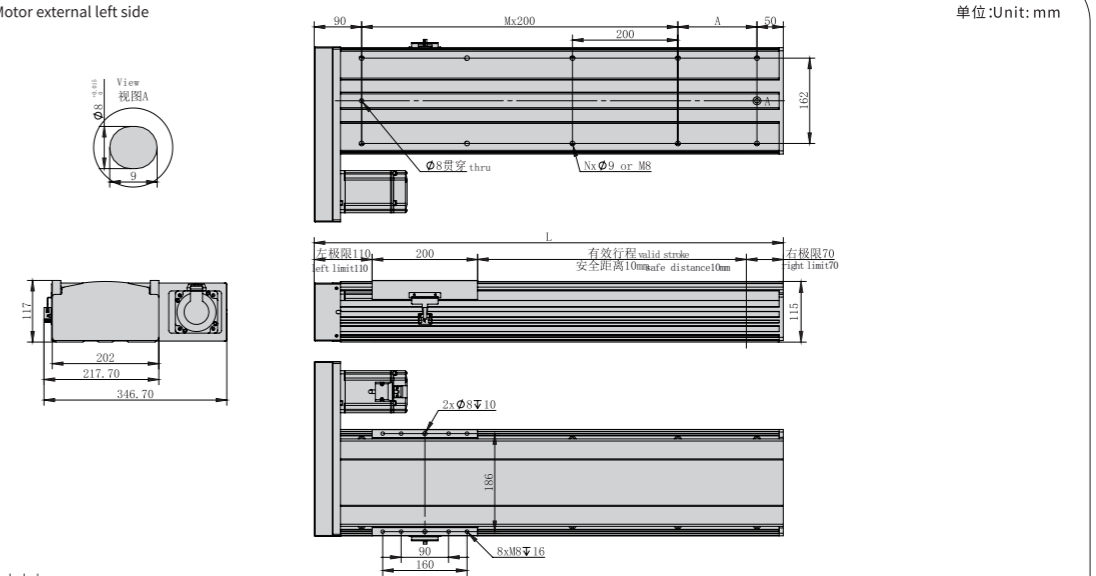


*不含电机重量。*Motor weight not included.

有效行程 Stroke	100	150	200	250	300	350	400	450	500	550	600	650	700	750	800	850	900	950	1000	1050	1100	1150	1200	1250	1300	1350	1400	1450	1500	1550	1600	1650	1700	1750	1800
L	721	771	821	871	921	971	1021	1071	1121	1171	1221	1271	1321	1371	1421	1471	1521	1571	1621	1671	1721	1771	1821	1871	1921	1971	2021	2071	2121	2171	2221	2271	2321	2371	2421
A	200	50	100	150	200	50	100	150	200	50	100	150	200	50	100	150	200	50	100	150	200	50	100	150	200	50	100	150	200	50	100	150	200	50	100
N	8	10	10	10	10	12	12	12	12	14	14	14	14	16	16	16	16	18	18	18	18	20	20	20	20	22	22	22	22	24	24	24	24	26	26
M	2	3	3	3	3	4	4	4	4	5	5	5	5	6	6	6	6	7	7	7	7	8	8	8	8	9	9	9	9	10	10	10	10	11	11
KG	22.5	24	25.5	27	28.5	30	31.5	33	34.5	36	37.5	39	40.5	42	43.5	45	46.5	48	49.5	51	52.5	54	55.5	57	58.5	60	61.5	63	64.5	66	67.5	69	70.5	72	73.5

如有超长行程及定制需求, 请咨询我司业务。If you have extra long trip and custom requirements, please consult our business.

ML 电机外置左侧 Motor external left side



*不含电机重量。*Motor weight not included.

有效行程 Stroke	100	150	200	250	300	350	400	450	500	550	600	650	700	750	800	850	900	950	1000	1050	1100	1150	1200	1250	1300	1350	1400	1450	1500	1550	1600	1650	1700	1750	1800
L	490	540	590	640	690	740	790	840	890	940	990	1040	1090	1140	1190	1240	1290	1340	1390	1440	1490	1540	1590	1640	1690	1740	1790	1840	1890	1940	1990	2040	2090	2140	2190
A	150	200	50	100	150	200	50	100	150	200	50	100	150	200	50	100	150	200	50	100	150	200	50	100	150	200	50	100	150	200	50	100	150	200	50
N	6	6	8	8	8	8	10	10	10	10	12	12	12	12	14	14	14	14	16	16	16	16	18	18	18	18	20	20	20	20	22	22	22	22	24
M	1	1	2	2	2	2	3	3	3	3	4	4	4	4	5	5	5	5	6	6	6	6	7	7	7	7	8	8	8	8	9	9	9	9	10
KG	23	24.5	26	27.5	29	30.5	32	33.5	35	36.5	38	39.5	41	42.5	44	45.5	47	48.5	50	51.5	53	54.5	56	57.5	59	60.5	62	63.5	65	66.5	68	69.5	71	72.5	74

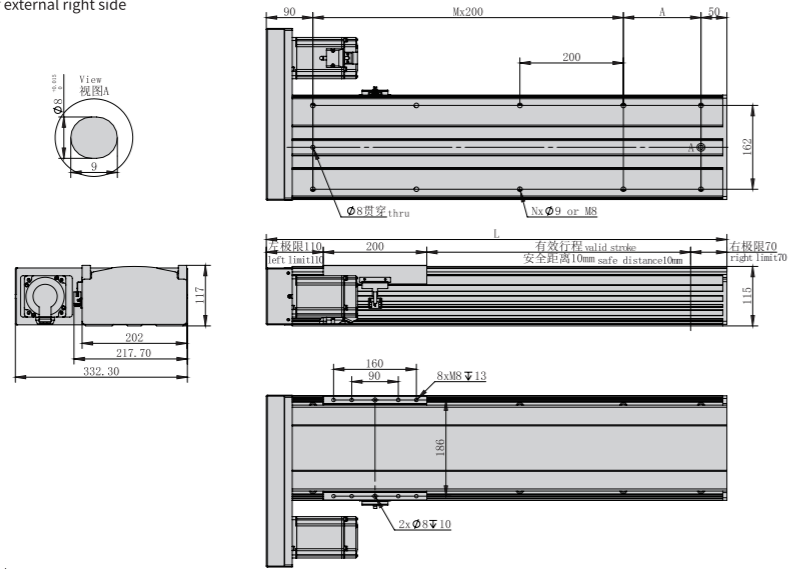
如有超长行程及定制需求, 请咨询我司业务。If you have extra long trip and custom requirements, please consult our business.



电机外置右侧
Motor external right side

MR 电机外置右侧 Motor external right side

单位:Unit: mm



*不含电机重量。*Motor weight not included.

有效行程 Stroke	100	150	200	250	300	350	400	450	500	550	600	650	700	750	800	850	900	950	1000	1050	1100	1150	1200	1250	1300	1350	1400	1450	1500	1550	1600	1650	1700	1750	1800
L	490	540	590	640	690	740	790	840	890	940	990	1040	1090	1140	1190	1240	1290	1340	1390	1440	1490	1540	1590	1640	1690	1740	1790	1840	1890	1940	1990	2040	2090	2140	2190
A	150	200	50	100	150	200	50	100	150	200	50	100	150	200	50	100	150	200	50	100	150	200	50	100	150	200	50	100	150	200	50	100	150	200	50
N	6	6	8	8	8	8	10	10	10	10	12	12	12	12	14	14	14	14	16	16	16	16	18	18	18	18	20	20	20	20	22	22	22	22	24
M	1	1	2	2	2	2	3	3	3	3	4	4	4	4	5	5	5	5	6	6	6	6	7	7	7	7	8	8	8	8	9	9	9	9	10
KG	23	24.5	26	27.5	29	30.5	32	33.5	35	36.5	38	39.5	41	42.5	44	45.5	47	48.5	50	51.5	53	54.5	56	57.5	59	60.5	62	63.5	65	66.5	68	69.5	71	72.5	74

如有超长行程及定制需求, 请咨询我司业务。If you have extra long trip and custom requirements, please consult our business.

MEMO

- HNR-E
- HNB-E
- HFR
- HNR**
- HCR
- HNB
- HCBC
- HNT
- XYZ
- 参考资料
Reference data



重复精度
Repeat Accuracy
±0.02 mm

此图仅供参考, 出货规格详见尺寸图面
This drawing is for reference only, Please refer to the size drawing for shipment specifications.

最大行程
Max stroke 2400mm

最高速度
Max speed 1600mm/s

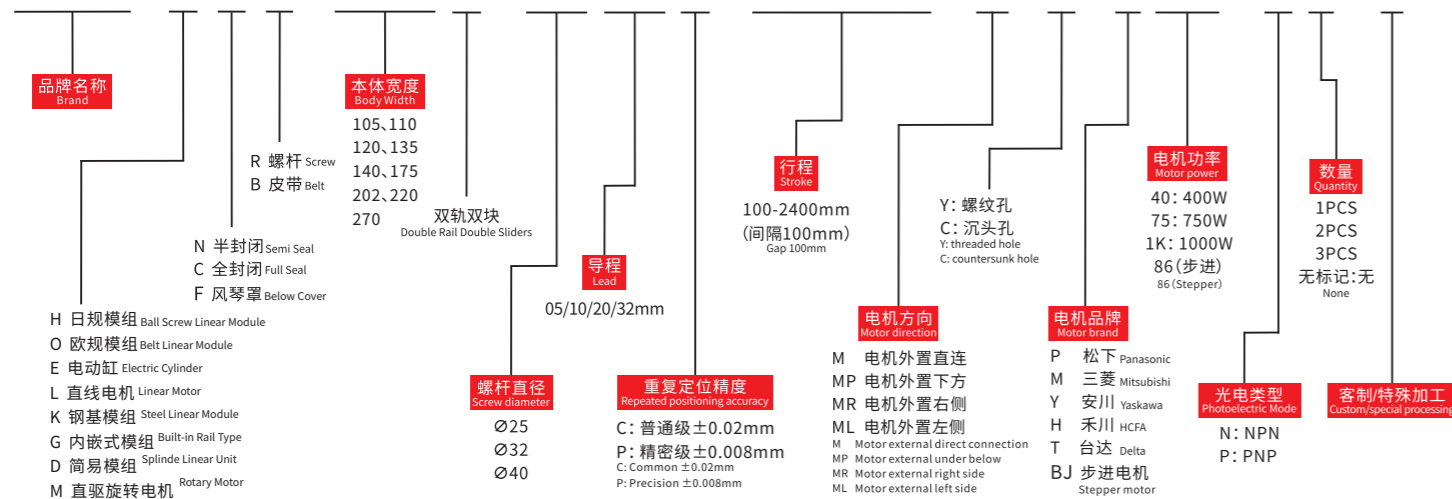
马达容量
Motor output 1000W

滚珠螺杆
Ball screw Ø32mm

直线滑轨
Linear guide 25X22-2支

型号表达方式 Ordering method

TPA-HNR-220D-3210C-L2400-M-Y-P1K-N3-F



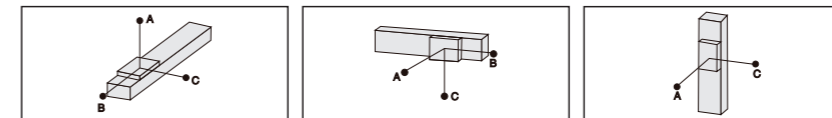
产品性能参数如下 Product performance parameters are as follows

规格 Spec	电机功率 (W) Motor power (W)	1000			
	额定扭矩 (N.M) Rated torque (N.M)	3.2			
	重复定位精度 (mm) Repeated positioning accuracy (mm)	±0.02			
	导程 (mm) Lead (mm)	5	10	20	32
	最高速度 (mm/s) Maximum speed (mm/s)	250	500	1000	1600
	电机额定转速 (RPM) Rated speed of motor (RPM)	3000			
最大可搬重量 Maximum Payload	水平使用 (kg) Horizontal (kg)	180	170	105	66
	垂直使用 (kg) Vertical (kg)	100	80	40	25
定格推力 (N) Rated thrust (N)	2306	1153	577	461	
标准行程 (mm) Stroke pitch (mm)	100~2400mm/100 间隔100 mm Pitch				
滚珠螺杆外径 (mm) Ball screw Ø (mm)	Ø32				
基座材质 Material of base	硬质挤压铝材A1 Hard extruded aluminum A1				
安装面精度要求 (mm) Accuracy requirements of installation surface (mm)	C级<0.05; P级<0.02 C level<0.05 P level<0.02				
使用环境 Operating environment	0~40°C, 85%RH (无凝结) No condensation				

注1: 使用非上述功率电机时请依据实际参数推算。
Note 1: When using a motor with a power other than the above, please calculate according to the actual parameters.

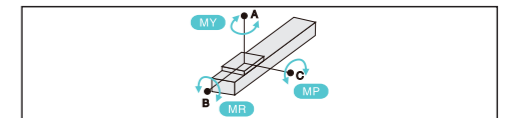
注2: 最高速度因行程和负载而异, 当螺杆细长比大于1:50时, 可能会因螺杆临界速度产生共振和抖动, 应适当下调运行速度, 一般螺杆每增长100mm, 速度应下调10~15%。
Note 2: The maximum speed varies with stroke and load. When the screw slenderness ratio is greater than 1:50, resonance and jitter may occur due to the critical speed of the screw, so the running speed should be reduced appropriately. Generally, the speed should be reduced by 10~15% for every 100mm increase of the screw.

容许负载力矩表 N.m Allowable overhang



水平安装 Horizontal installation				侧面安装 Side mounting				垂直安装 Vertical installation			
导程 Lead	A	B	C	导程 Lead	A	B	C	导程 Lead	A	B	C
5	100kg	5000	633	557	110kg	500	569	4500	30kg	2355	2355
5	125kg	3880	491	431	130kg	412	469	3711	40kg	1768	1768
	150kg	3357	396	347	150kg	347	396	3357	55kg	1288	1288
10	100kg	3220	563	474	110kg	427	503	2900	25kg	2505	2505
10	125kg	3554	434	367	130kg	351	414	2444	35kg	1795	1795
	150kg	2113	349	295	150kg	295	349	2113	45kg	1396	1396
20	65kg	1522	614	458	70kg	420	564	1404	15kg	2711	2711
20	85kg	1136	451	336	90kg	315	420	1066	20kg	2033	2033
	105kg	893	350	262	105kg	262	350	893	-	-	-
32	18kg	2445	1616	1052	15kg	1272	1955	2948	7kg	3511	3511
32	30kg	1436	938	613	24kg	778	1190	1813	12kg	2055	2055
	43kg	978	630	412	43kg	412	630	978	-	-	-

静态容许负载惯量 Static loading moment



MY	MP	MR
2052	2052	1810

*力矩表所表示的数据, 代表重心。
The torque value in the chart indicate the center of gravity.

*符合型录规范的正常试用下, 保证寿命为10000公里。
Operation life is 10,000km when the product is using under the specified conditions.

*倒吊使用无法套用标准规范, 如有需求请咨询我司业务。
The standard specification cannot be applied to the use of inverted crane. Please consult our business if necessary.

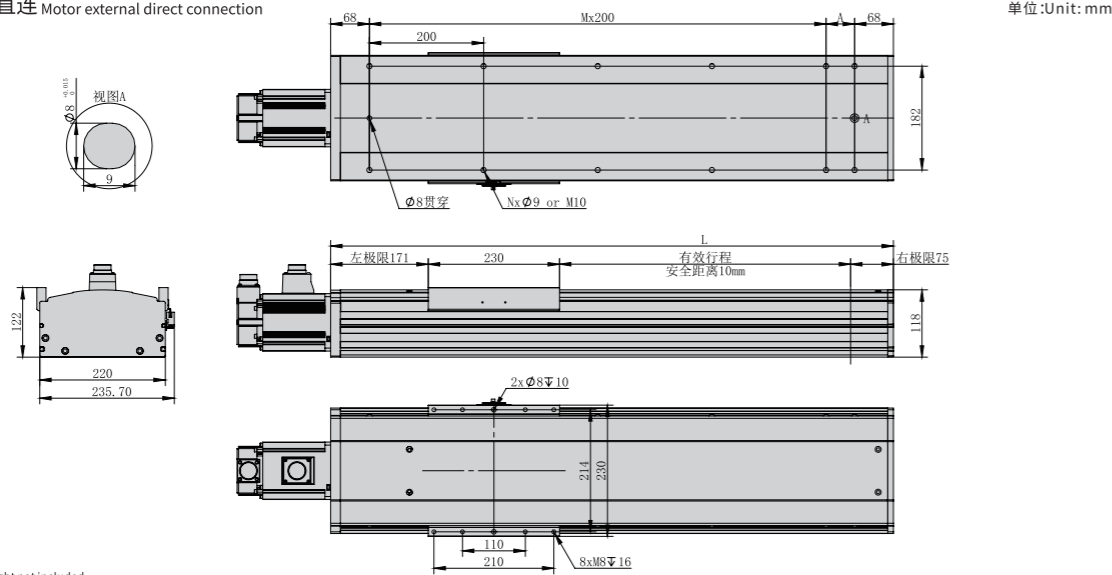
搭配伺服马达一览表 Suitable motor brand

品牌 Brand	马达记号 Mark	刹车有无 Brake	马达容量 Motor capacity	电源电压 AC-Voltage	伺服马达型号 Servo motor model	驱动器型号 Driver Model
三菱 Mitsubishi	M	无刹车(水平式样) No brake (horizontal type)	750	220	HG-KN73J-S100	MR-JE-70A
松下 Panasonic	P	无刹车(水平式样) No brake (horizontal type)	750	220	MHMF082L1U2M	MCDLN35SE
台达 Delta	T	无刹车(水平式样) No brake (horizontal type)	750	220	ECM-B3M-C20807SS1	ASD-B3-0721-L



电机外置直连/电机外置下方
Motor external direct connection/Motor external under below

M 电机外置直连 Motor external direct connection

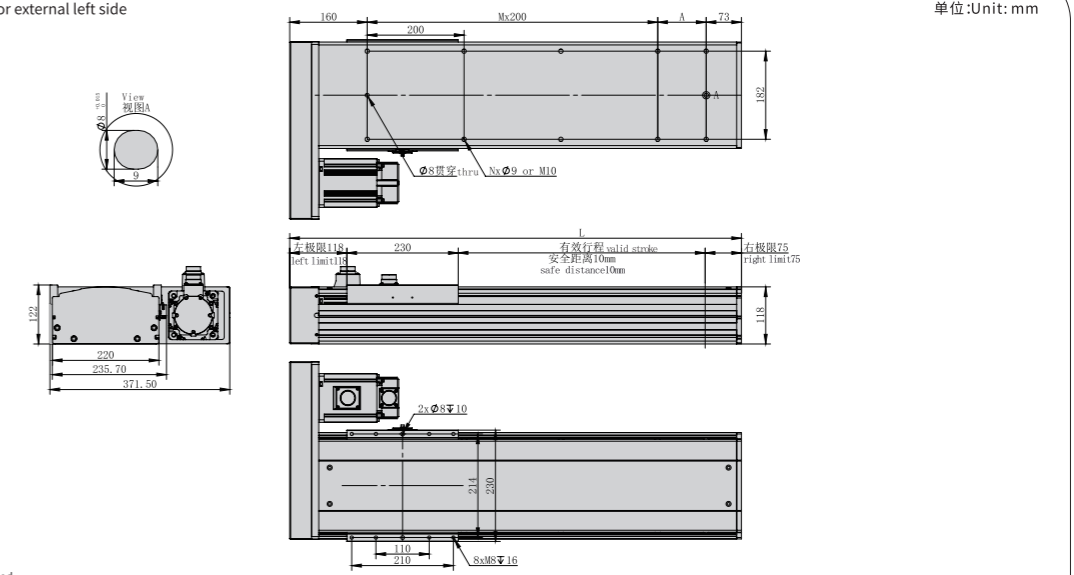


有效行程 Stroke	100	150	200	250	300	350	400	450	500	550	600	650	700	750	800	850	900	950	1000	1050	1100	1150	1200	1250	1300	1350	1400	1450	1500	1550	1600	1650	1700	1750	1800	1850	1900	1950	2000	2050	2100	2150	2200	2250	2300	2350	2400	
L	586	636	686	736	786	836	886	936	986	1036	1086	1136	1186	1236	1286	1336	1386	1436	1486	1536	1586	1636	1686	1736	1786	1836	1886	1936	1986	2036	2086	2136	2186	2236	2286	2336	2386	2436	2486	2536	2586	2636	2686	2736	2786	2836	2886	
A	50	100	150	200	250	300	350	400	450	500	550	600	650	700	750	800	850	900	950	1000	1050	1100	1150	1200	1250	1300	1350	1400	1450	1500	1550	1600	1650	1700	1750	1800	1850	1900	1950	2000	2050	2100	2150	2200	2250	2300	2350	2400
N	8	8	8	8	10	10	10	10	12	12	12	12	14	14	14	14	16	16	16	16	18	18	18	18	20	20	20	20	22	22	22	22	24	24	24	24	26	26	26	26	28	28	28	28	30	30	30	30
M	2	2	2	3	3	3	3	4	4	4	4	5	5	5	5	6	6	6	6	7	7	7	7	8	8	8	8	9	9	9	9	10	10	10	10	11	11	11	11	12	12	12	12	13	13	13	13	
KG	24.5	26	27.5	29	30.5	32	33.5	35	36.5	38	39.5	41	42.5	44	45.5	47	48.5	50	51.5	53	54.5	56	57.5	59	60.5	62	63.5	65	66.5	68	69.5	71	72.5	74	75.5	77	78.5	80	81.5	83	84.5	86	87.5	89	90.5	92	93.5	

如有超长行程及定制需求, 请咨询我司业务。If you have extra long trip and custom requirements, please consult our business.

电机外置左侧/电机外置右侧
Motor external left side / Motor external right side

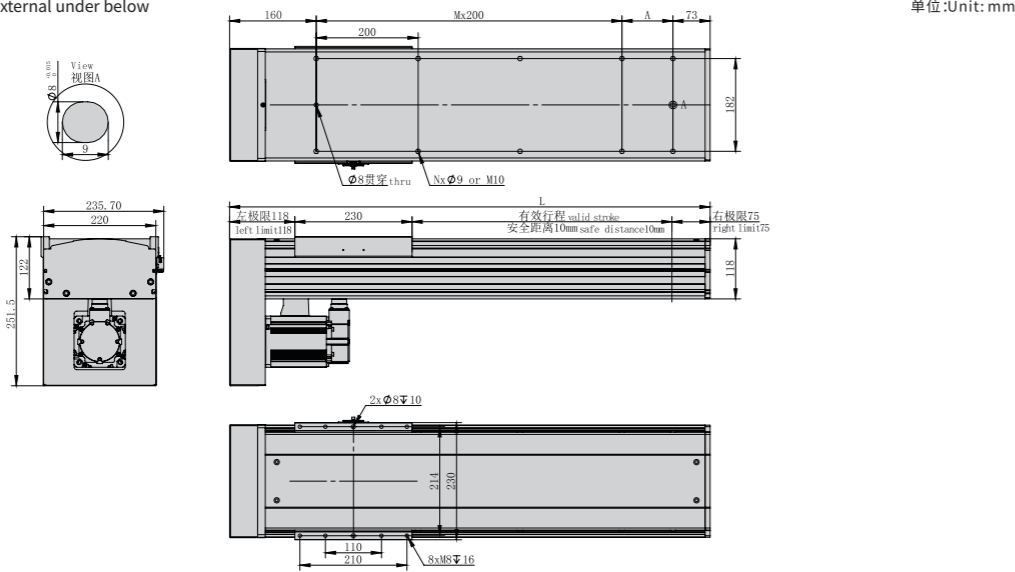
ML 电机外置左侧 Motor external left side



有效行程 Stroke	100	150	200	250	300	350	400	450	500	550	600	650	700	750	800	850	900	950	1000	1050	1100	1150	1200	1250	1300	1350	1400	1450	1500	1550	1600	1650	1700	1750	1800	1850	1900	1950	2000	2050	2100	2150	2200	2250	2300	2350	2400		
L	533	583	633	683	733	783	833	883	933	983	1033	1083	1133	1183	1233	1283	1333	1383	1433	1483	1533	1583	1633	1683	1733	1783	1833	1883	1933	1983	2033	2083	2133	2183	2233	2283	2333	2383	2433	2483	2533	2583	2633	2683	2733	2783	2833		
A	100	150	200	250	300	350	400	450	500	550	600	650	700	750	800	850	900	950	1000	1050	1100	1150	1200	1250	1300	1350	1400	1450	1500	1550	1600	1650	1700	1750	1800	1850	1900	1950	2000	2050	2100	2150	2200	2250	2300	2350	2400		
N	6	6	6	6	8	8	8	8	10	10	10	10	12	12	12	12	14	14	14	14	16	16	16	16	18	18	18	18	20	20	20	20	22	22	22	22	24	24	24	24	26	26	26	26	28	28	28	28	30
M	1	1	2	2	2	2	3	3	3	3	4	4	4	4	5	5	5	5	6	6	6	6	7	7	7	7	8	8	8	8	9	9	9	9	10	10	10	10	11	11	11	11	12	12	12	12	13		
KG	25	26.5	28	29.5	31	32.5	34	35.5	37	38.5	40	41.5	43	44.5	46	47.5	49	50.5	52	53.5	55	56.5	58	59.5	61	62.5	64	65.5	67	68.5	70	71.5	73	74.5	76	77.5	79	80.5	82	83.5	85	86.5	88	89.5	91	92.5	94		

如有超长行程及定制需求, 请咨询我司业务。If you have extra long trip and custom requirements, please consult our business.

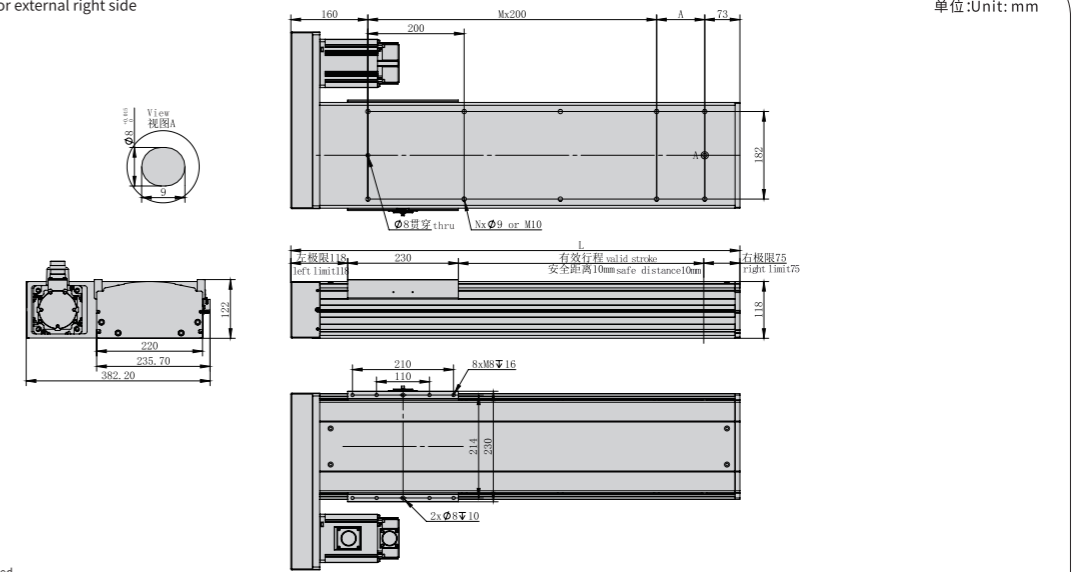
MP 电机外置下方 Motor external under below



有效行程 Stroke	100	150	200	250	300	350	400	450	500	550	600	650	700	750	800	850	900	950	1000	1050	1100	1150	1200	1250	1300	1350	1400	1450	1500	1550	1600	1650	1700	1750	1800	1850	1900	1950	2000	2050	2100	2150	2200	2250	2300	2350	2400		
L	533	583	633	683	733	783	833	883	933	983	1033	1083	1133	1183	1233	1283	1333	1383	1433	1483	1533	1583	1633	1683	1733	1783	1833	1883	1933	1983	2033	2083	2133	2183	2233	2283	2333	2383	2433	2483	2533	2583	2633	2683	2733	2783	2833		
A	100	150	200	250	300	350	400	450	500	550	600	650	700	750	800	850	900	950	1000	1050	1100	1150	1200	1250	1300	1350	1400	1450	1500	1550	1600	1650	1700	1750	1800	1850	1900	1950	2000	2050	2100	2150	2200	2250	2300	2350	2400		
N	6	6	6	6	8	8	8	8	10	10	10	10	12	12	12	12	14	14	14	14	16	16	16	16	18	18	18	18	20	20	20	20	22	22	22	22	24	24	24	24	26	26	26	26	28	28	28	28	30
M	1	1	2	2	2	2	3	3	3	3	4	4	4	4	5	5	5	5	6	6	6	6	7	7	7	7	8	8	8	8	9	9	9	9	10	10	10	10	11	11	11	11	12	12	12	12	13		
KG	25	26.5	28	29.5	31	32.5	34	35.5	37	38.5	40	41.5	43	44.5	46	47.5	49	50.5	52	53.5	55	56.5	58	59.5	61	62.5	64	65.5	67	68.5	70	71.5	73	74.5	76	77.5	79	80.5	82	83.5	85	86.5	88	89.5	91	92.5	94		

如有超长行程及定制需求, 请咨询我司业务。If you have extra long trip and custom requirements, please consult our business.

MR 电机外置右侧 Motor external right side



有效行程 Stroke	100	150	200	250	300	350	400	450	500	550	600	650	700	750	800	850	900	950	1000	1050	1100	1150	1200	1250	1300	1350	1400	1450	1500	1550	1600	1650	1700	1750	1800	1850	1900	1950	2000	2050	2100	2150	2200	2250	2300	2350	2400		
L	533	583	633	683	733	783	833	883	933	983	1033	1083	1133	1183	1233	1283	1333	1383	1433	1483	1533	1583	1633	1683	1733	1783	1833	1883	1933	1983	2033	2083	2133	2183	2233	2283	2333	2383	2433	2483	2533	2583	2633	2683	2733	2783	2833		
A	100	150	200	250	300	350	400	450	500	550	600	650	700	750	800	850	900	950	1000	1050	1100	1150	1200	1250	1300	1350	1400	1450	1500	1550	1600	1650	1700	1750	1800	1850	1900	1950	2000	2050	2100	2150	2200	2250	2300	2350	2400		
N	6	6	6	6	8	8	8	8	10	10	10	10	12	12	12	12	14	14	14	14	16	16	16	16	18	18	18	18	20	20	20	20	22	22	22	22	24	24	24	24	26	26	26	26	28	28	28	28	30
M	1	1	2	2	2	2	3	3	3	3	4	4	4	4	5	5	5	5	6	6	6	6	7	7	7	7	8	8	8	8	9	9	9	9	10	10	10	10	11	11	11	11	12	12	12	12	13		
KG	25	26.5	28	29.5	31	32.5	34	35.5	37	38.5	40	41.5	43	44.5	46	47.5	49	50.5	52	53.5	55	56.5	58	59.5	61	62.5	64	65.5	67	68.5	70	71.5	73	74.5	76	77.5	79	80.5	82	83.5	85	86.5	88	89.5	91	92.5	94		

如有超长行程及定制需求, 请咨询我司业务。If you have extra long trip and custom requirements, please consult our business.



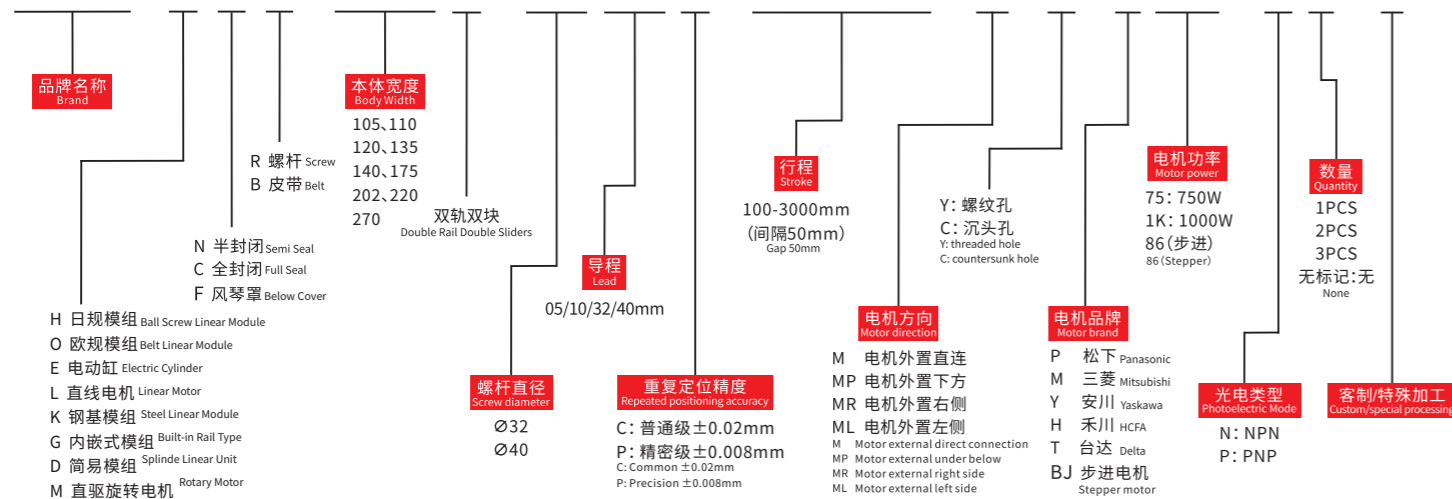
重复精度
Repeat Accuracy
±0.02 mm

此图仅供参考, 出货规格详见尺寸图面
This drawing is for reference only, Please refer to the size drawing for shipment specifications.

最大行程 Max stroke 3000mm 最高速度 Max speed 2000mm/s 马达容量 Motor output 1000W 滚珠螺杆 Ball screw Ø40mm 直线滑轨 Linear guide 25X22-2支

型号表达方式 Ordering method

TPA-HNR-270D-4010C-L3000-M-Y-P1K-N3-F

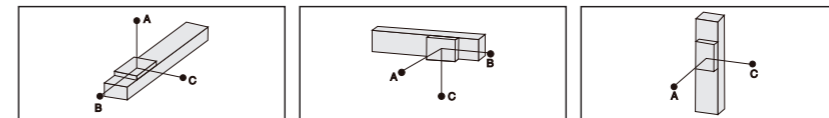


产品性能参数如下 Product performance parameters are as follows

规格 Spec	电机功率 (W) Motor power (W)	1000			
	额定扭矩 (N.M) Rated torque (N.M)	3.2			
	重复定位精度 (mm) Repeated positioning accuracy (mm)	±0.02			
	导程 (mm) Lead (mm)	5	10	20	40
	最高速度 (mm/s) Maximum speed (mm/s)	250	500	1000	2000
	电机额定转速 (RPM) Rated speed of motor (RPM)	3000			
最大可搬重量 Maximum Payload	水平使用 (kg) Horizontal (kg)	230	200	125	78
	垂直使用 (kg) Vertical (kg)	115	95	48	30
定格推力 (N) Rated thrust (N)	3195	1598	499	1598	
标准行程 (mm) Stroke pitch (mm)	100~3000mm/50间隔 50mm Pitch				
部品 Parts	滚珠螺杆外径 (mm) Ball screw Ø (mm)	Ø40			
	基座材质 Material of base	硬质挤压铝材A1 Hard extruded aluminum A1			
	安装面精度要求 (mm) Accuracy requirements of installation surface (mm)	C级<0.05; P级<0.02 C level<0.05 P level<0.02			
	使用环境 Operating environment	0~40°C, 85%RH(无凝结) No condensation			

注1: 使用非上述功率电机时请依据实际参数推算。
Note 1: When using a motor with a power other than the above, please calculate according to the actual parameters.
 注2: 最高速度因行程和负载而异, 当螺杆细长比大于1:50时, 可能会因螺杆临界速度产生共振和抖动, 应适当下调运行速度, 一般螺杆每增长100mm, 速度应下调10~15%。
Note 2: The maximum speed varies with stroke and load. When the screw slenderness ratio is greater than 1:50, resonance and jitter may occur due to the critical speed of the screw, so the running speed should be reduced appropriately. Generally, the speed should be reduced by 10~15% for every 100mm increase of the screw.

容许负载力矩表 N.m Allowable overhang

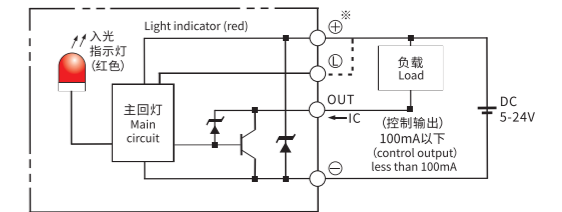


水平安装 Horizontal installation (单位Unit:mm)				侧面安装 Side mounting (单位Unit:mm)				垂直安装 Vertical installation (单位Unit:mm)			
导程 Lead	A	B	C	导程 Lead	A	B	C	导程 Lead	A	B	C
5	100kg	1367	542	408	150kg	1368	541	410	64kg	980	980
	180kg	1079	293	227	180kg	1080	293	229	80kg	670	670
	200kg	906	102	82	200kg	906	101	84	115kg	222	222
10	130kg	1496	772	605	130kg	1495	770	605	56kg	1811	1811
	150kg	1237	513	403	150kg	1236	513	403	70kg	1153	1153
	180kg	1020	248	190	180kg	1021	245	190	84kg	714	714
20	90kg	1450	920	768	90kg	1451	922	766	35kg	1270	1270
	100kg	1217	573	453	100kg	1215	573	456	40kg	877	877
	125kg	937	395	307	125kg	937	395	307	48kg	754	754
40	45kg	1010	602	482	45kg	1009	605	484	20kg	1170	1175
	60kg	835	395	223	60kg	836	395	225	25kg	890	891
	78kg	524	243	192	78kg	527	246	191	30kg	531	533

搭配伺服马达一览表 Suitable motor brand

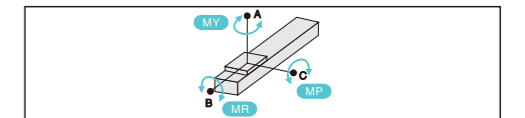
品牌 Brand	马达记号 Mark	刹车有无 Brake	马达容量 Motor capacity	电源电压 AC-Voltage	伺服马达型号 Servo motor model	驱动器型号 Driver Model
三菱 Mitsubishi	M	无刹车(水平式样) No brake (horizontal type)	750	220	HG-KN73J-S100	MR-JE-70A
松下 Panasonic	P	无刹车(水平式样) No brake (horizontal type)	750	220	MHMF082L1U2M	MCDLN35SE
台达 Delta	T	无刹车(水平式样) No brake (horizontal type)	750	220	ECM-B3M-C20807SS1	ASD-B3-0721-L

感应器连接图<原点及端点> Sensor layout



HNR-E
HNB-E
HFR
HNR
HCR
HNB
HCB
HNT
XYZ
参考资料 Reference data

静态容许负载惯量 Static loading moment



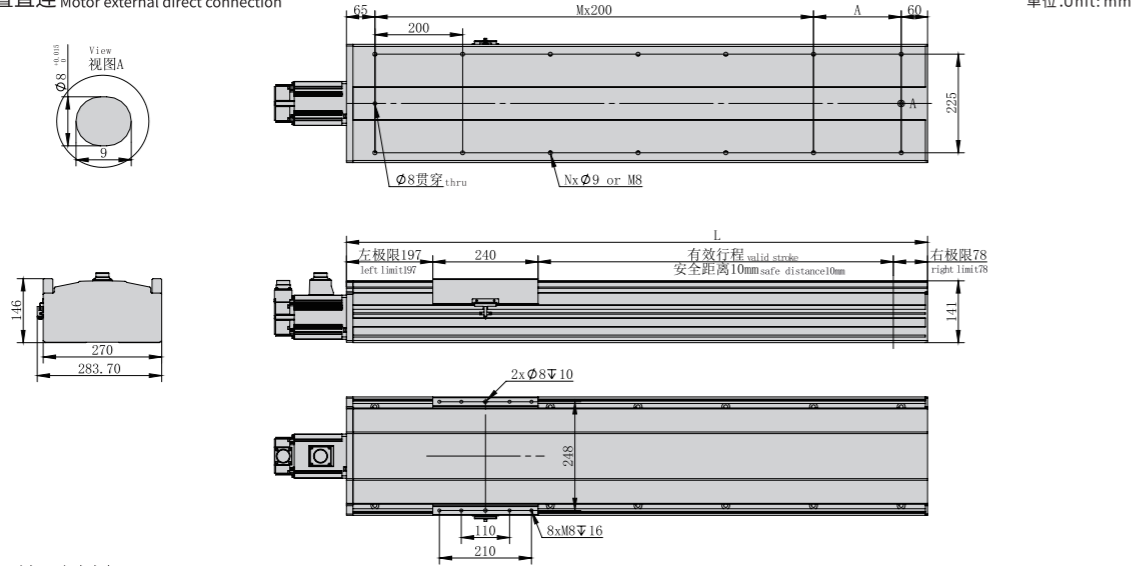
	(单位Unit:N.m)
MY	3223
MP	3223
MR	2843

*力矩表所表示的数据, 代表重心。
The torque value in the chart indicate the center of gravity.
 *符合型录规范的正常试用下, 保证寿命为10000公里。
Operation life is 10,000km when the product is using under the specified conditions.
 *倒吊使用无法套用标准规范, 如有需求请咨询我司业务。
The standard specification cannot be applied to the use of inverted crane. Please consult our business if necessary.



电机外置直连/电机外置下方
Motor external direct connection/Motor external under below

M 电机外置直连 Motor external direct connection



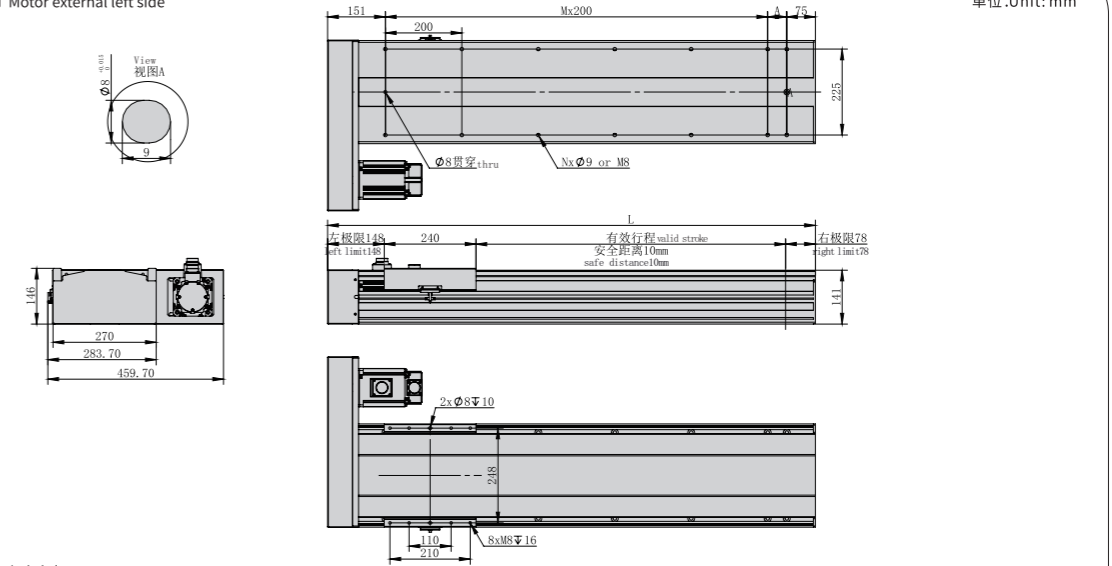
*不含电机重量。*Motor weight not included.

有效行程 Stroke	100	200	300	400	500	600	700	800	900	1000	1100	1200	1300	1400	1500	1600	1700	1800	1900	2000	2100	2200	2300	2400	2500	2600	2700	2800	2900	3000
L	625	675	725	775	825	875	925	975	1025	1075	1125	1175	1225	1275	1325	1375	1425	1475	1525	1575	1625	1675	1725	1775	1825	1875	1925	1975	2025	2075
A	150	50	150	50	150	50	150	50	150	50	150	50	150	50	150	50	150	50	150	50	150	50	150	50	150	50	150	50	150	50
N	6	8	8	10	10	12	12	14	14	16	16	18	18	20	20	22	22	24	24	26	26	28	28	30	30	32	32	34	34	36
M	1	2	2	3	3	4	4	5	5	6	6	7	7	8	8	9	9	10	10	11	11	12	12	14	14	16	16	18	18	20
KG	32	35.6	39.2	42.8	46.4	50	53.6	57.2	60.8	64.4	68	71.6	75.2	78.8	82.4	86	89.6	93.2	96.8	100.4	104	107.6	111.2	114.8	118.4	122	125.6	129.2	132.8	136.4

如有超长行程及定制需求, 请咨询我司业务。If you have extra long trip and custom requirements, please consult our business.

电机外置左侧/电机外置右侧
Motor external left side / Motor external right side

ML 电机外置左侧 Motor external left side

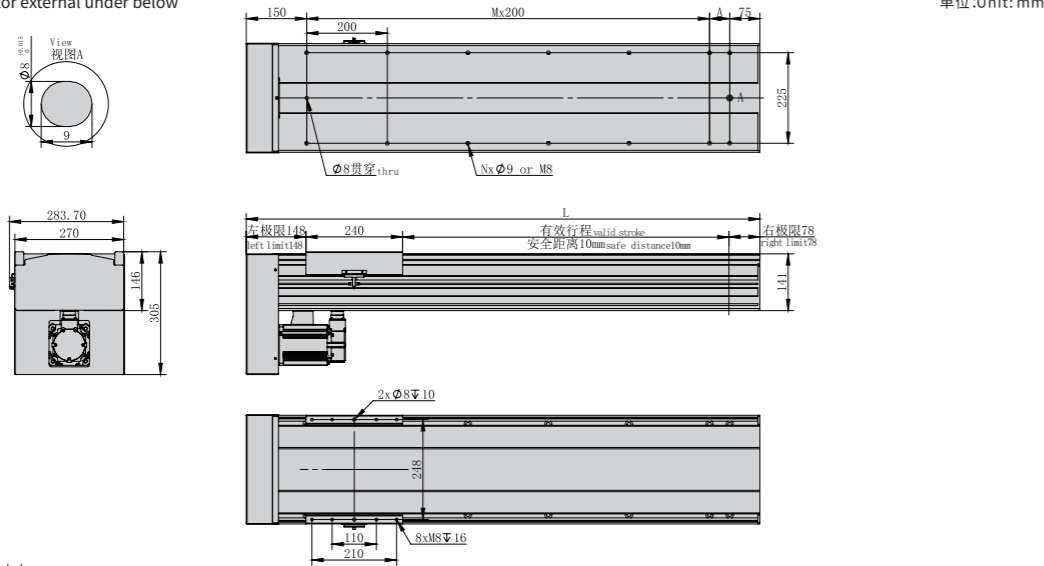


*不含电机重量。*Motor weight not included.

有效行程 Stroke	100	200	300	400	500	600	700	800	900	1000	1100	1200	1300	1400	1500	1600	1700	1800	1900	2000	2100	2200	2300	2400	2500	2600	2700	2800	2900	3000
L	576	626	676	726	776	826	876	926	976	1026	1076	1126	1176	1226	1276	1326	1376	1426	1476	1526	1576	1626	1676	1726	1776	1826	1876	1926	1976	2026
A	150	50	150	50	150	50	150	50	150	50	150	50	150	50	150	50	150	50	150	50	150	50	150	50	150	50	150	50	150	50
N	6	8	8	10	10	12	12	14	14	16	16	18	18	20	20	22	22	24	24	26	26	28	28	30	30	32	32	34	34	36
M	1	2	2	3	3	4	4	5	5	6	6	7	7	8	8	9	9	10	10	11	11	12	12	14	14	16	16	18	18	20
KG	32	35.6	39.2	42.8	46.4	50	53.6	57.2	60.8	64.4	68	71.6	75.2	78.8	82.4	86	89.6	93.2	96.8	100.4	104	107.6	111.2	114.8	118.4	122	125.6	129.2	132.8	136.4

如有超长行程及定制需求, 请咨询我司业务。If you have extra long trip and custom requirements, please consult our business.

MP 电机外置下方 Motor external under below

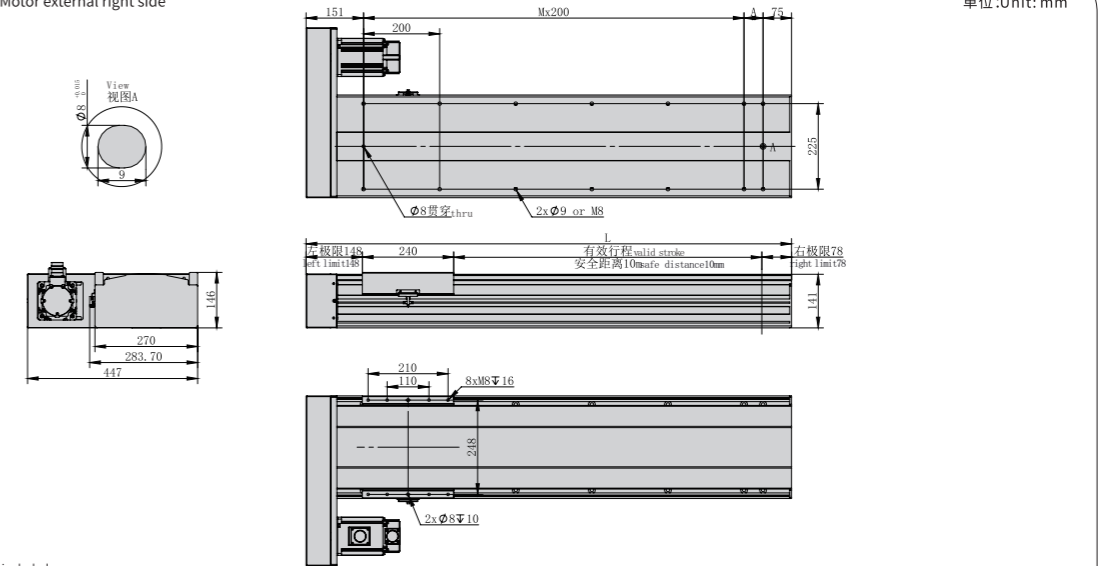


*不含电机重量。*Motor weight not included.

有效行程 Stroke	100	200	300	400	500	600	700	800	900	1000	1100	1200	1300	1400	1500	1600	1700	1800	1900	2000	2100	2200	2300	2400	2500	2600	2700	2800	2900	3000
L	576	626	676	726	776	826	876	926	976	1026	1076	1126	1176	1226	1276	1326	1376	1426	1476	1526	1576	1626	1676	1726	1776	1826	1876	1926	1976	2026
A	150	50	150	50	150	50	150	50	150	50	150	50	150	50	150	50	150	50	150	50	150	50	150	50	150	50	150	50	150	50
N	6	8	8	10	10	12	12	14	14	16	16	18	18	20	20	22	22	24	24	26	26	28	28	30	30	32	32	34	34	36
M	1	2	2	3	3	4	4	5	5	6	6	7	7	8	8	9	9	10	10	11	11	12	12	14	14	16	16	18	18	20
KG	32	35.6	39.2	42.8	46.4	50	53.6	57.2	60.8	64.4	68	71.6	75.2	78.8	82.4	86	89.6	93.2	96.8	100.4	104	107.6	111.2	114.8	118.4	122	125.6	129.2	132.8	136.4

如有超长行程及定制需求, 请咨询我司业务。If you have extra long trip and custom requirements, please consult our business.

MR 电机外置右侧 Motor external right side



*不含电机重量。*Motor weight not included.

有效行程 Stroke	100	200	300	400	500	600	700	800	900	1000	1100	1200	1300	1400	1500	1600	1700	1800	1900	2000	2100	2200	2300	2400	2500	2600	2700	2800	2900	3000
L	576	626	676	726	776	826	876	926	976	1026	1076	1126	1176	1226	1276	1326	1376	1426	1476	1526	1576	1626	1676	1726	1776	1826	1876	1926	1976	2026
A	150	50	150	50	150	50	150	50	150	50	150	50	150	50	150	50	150	50	150	50	150	50	150	50	150	50	150	50	150	50
N	6	8	8	10	10	12	12	14	14	16	16	18	18	20	20	22	22	24	24	26	26	28	28	30	30	32	32	34	34	36
M	1	2	2	3	3	4	4	5	5	6	6	7	7	8	8	9	9	10	10	11	11	12	12	14	14	16	16	18	18	20
KG	32	35.6	39.2	42.8	46.4	50	53.6	57.2	60.8	64.4	68	71.6	75.2	78.8	82.4	86	89.6	93.2	96.8	100.4	104	107.6	111.2	114.8	118.4	122	125.6	129.2	132.8	136.4

如有超长行程及定制需求, 请咨询我司业务。If you have extra long trip and custom requirements, please consult our business.

HNR-E
HNB-E
HFR
HNR
HCR
HNB
HCB
HNT
XYZ
参考资料 Reference data



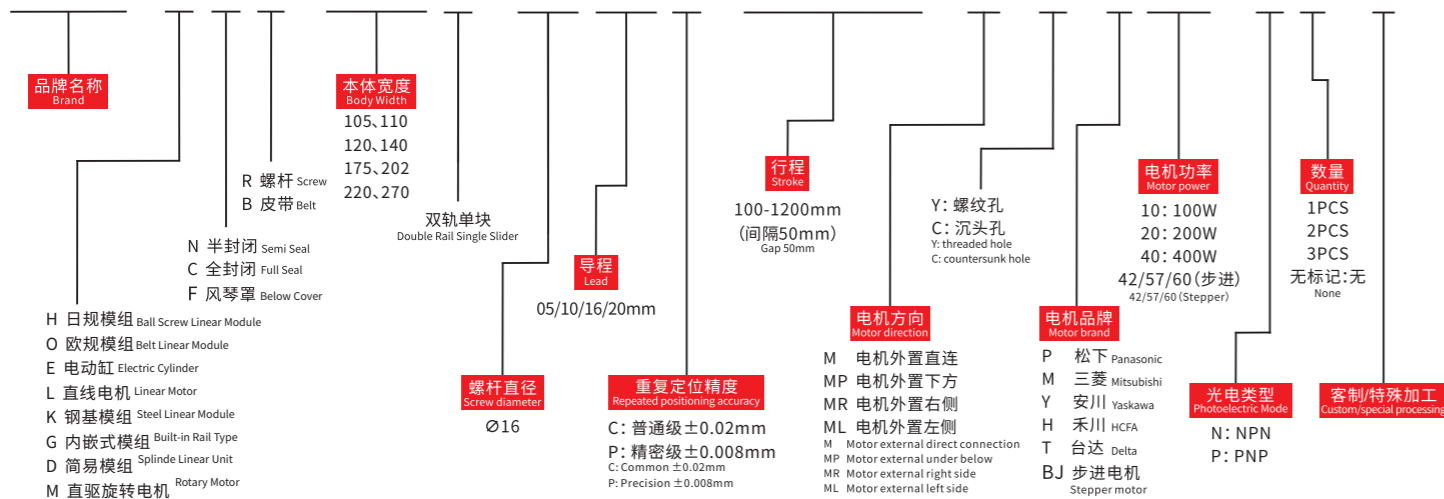
重复精度
Repeat Accuracy
 ± 0.02
mm

此图仅供参考, 出货规格详见尺寸图面
This drawing is for reference only, Please refer to the size drawing for shipment specifications.

最大行程 Max stroke: 1200mm | 最高速度 Max speed: 1000mm/s | 马达容量 Motor output: 200W | 滚珠螺杆 Ball screw: $\varnothing 16$ mm | 直线滑轨 Linear guide: 15X18-2支

型号表达方式 Ordering method

TPA-HCR-105D-1610C-L1200-M-Y-P20-N3-F



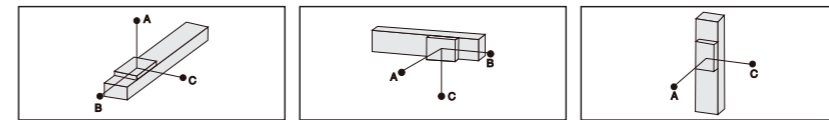
产品性能参数如下 Product performance parameters are as follows

规格 Spec	电机功率 (W) Motor power (W)	200				
	额定扭矩 (N.M) Rated torque (N.M)	0.64				
	重复定位精度 (mm) Repeated positioning accuracy (mm)	± 0.02				
	导程 (mm) Lead (mm)	5	10	16	20	
	最高速度 (mm/s) Maximum speed (mm/s)	250	500	800	1000	
	电机额定转速 (RPM) Rated speed of motor (RPM)	3000				
	最大可搬重量 Maximum Payload	水平使用 (kg) Horizontal (kg)	50	25	19	13
		垂直使用 (kg) Vertical (kg)	22	11	8	6
	定格推力 (N) Rated thrust (N)	615	307	192	154	
	标准行程 (mm) Stroke pitch (mm)	100~1200mm/50 间隔 50 mm Pitch				
部品 Parts	滚珠螺杆外径 (mm) Ball screw \varnothing (mm)	$\varnothing 16$				
	基座材质 Material of base	硬质挤压铝材A1 Hard extruded aluminum A1				
	安装面精度要求 (mm) Accuracy requirements of installation surface (mm)	C级 < 0.05; P级 < 0.02 C level < 0.05 P level < 0.02				
	使用环境 Operating environment	0~40°C, 85%RH (无凝结) No condensation				

注1: 使用非上述功率电机时请依据实际参数推算。
Note 1: When using a motor with a power other than the above, please calculate according to the actual parameters.

注2: 最高速度因行程和负载而异, 当螺杆细长比大于1:50时, 可能会因螺杆临界速度产生共振和抖动, 应适当下调运行速度, 一般螺杆每增长100mm, 速度应下调10~15%。
Note 2: The maximum speed varies with stroke and load. When the screw slenderness ratio is greater than 1:50, resonance and jitter may occur due to the critical speed of the screw, so the running speed should be reduced appropriately. Generally, the speed should be reduced by 10~15% for every 100mm increase of the screw.

容许负载力矩表 N.m Allowable overhang

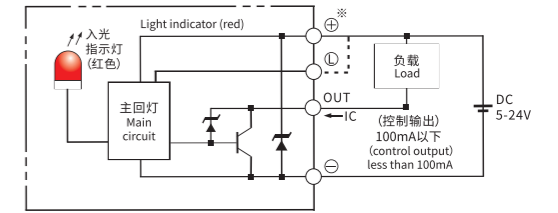


水平安装 (单位Unit:mm)				侧面安装 (单位Unit:mm)				垂直安装 (单位Unit:mm)					
导程	A	B	C	导程	A	B	C	导程	A	B	C		
5	30kg	21	32	262	10kg	602	187	153	10kg	93	106		
5	50kg	1	2	48	5	20kg	380	92	75	5	13kg	42	71
	60kg	-	-	-		5	30kg	9	-		-	5	15kg
10	20kg	93	162	260	10		10kg	545	122	109	10		3kg
	25kg	61	80	217		10	20kg	210	33	21		10	6kg
10	30kg	32	45	175	10		30kg	-	-	-	10		9kg
	10kg	155	242	425		16	5kg	477	140	123		16	3kg
16	15kg	89	162	313	16		10kg	269	78	69	16		5kg
	20kg	40	88	199		20	15kg	126	54	37		20	8kg
20	5kg	385	407	629	20		3kg	462	228	179	20		1kg
	10kg	110	179	381		20	7kg	289	94	76		20	3kg
20	20kg	63	98	230	20		10kg	211	55	39	20		5kg

搭配伺服马达一览表 Suitable motor brand

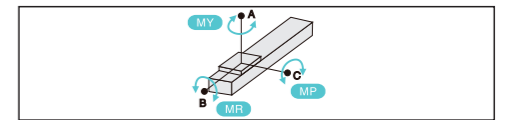
品牌	马达记号	刹车有无	马达容量	电源电压	伺服马达型号	驱动器型号
三菱 Mitsubishi	M	无刹车(水平式样) No brake (horizontal type)	200	220	HG-KR73	MR-J4-70A
松下 Panasonic	P	无刹车(水平式样) No brake (horizontal type)	200	220	MHMD082G1U	MBDHT3520
台达 Delta	T	无刹车(水平式样) No brake (horizontal type)	200	220	ECMA-C20807ES	ASD-B20721-B

感应器连接图<原点及端点> Sensor layout



- HNR-E
- HNB-E
- HFR
- HNR
- HCR**
- HNB
- HCB
- HNT
- XYZ
- 参考资料
Reference data

静态容许负载惯量 Static loading moment



	MY	MR	MP
150			
150			
130			

*力矩表所表示的数据, 代表重心。
The torque value in the chart indicate the center of gravity.

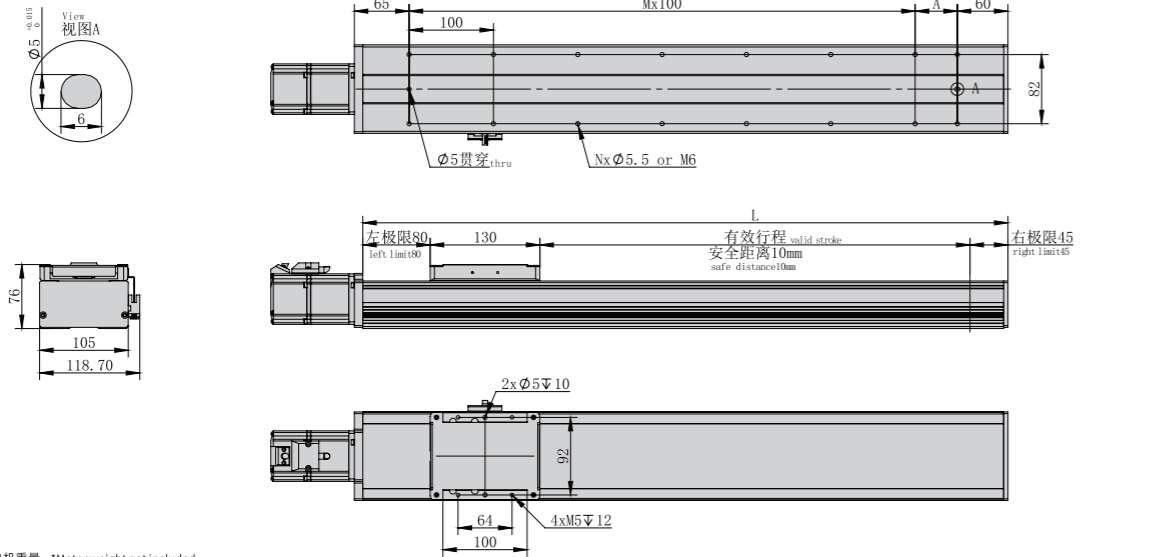
*符合型录规范的正常试用下, 保证寿命为10000公里。
Operation life is 10,000km when the product is using under the specified conditions.

*倒吊使用无法套用标准规范, 如有需求请咨询我司业务。
The standard specification cannot be applied to the use of inverted crane. Please consult our business if necessary.



电机外置直连/电机外置下方
Motor external direct connection/Motor external under below

M 电机外置直连 Motor external direct connection



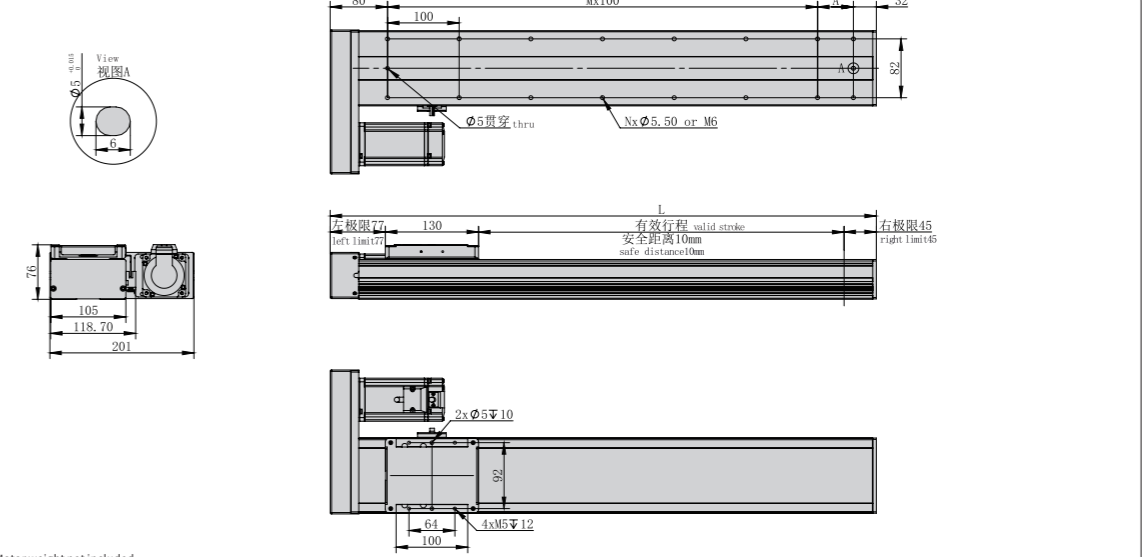
*不含电机重量。*Motor weight not included.

有效行程 Stroke	100	150	200	250	300	350	400	450	500	550	600	650	700	750	800	850	900	950	1000	1050	1100	1150	1200
L	365	415	465	515	565	615	665	715	765	815	865	915	965	1015	1065	1115	1165	1215	1265	1315	1365	1415	1465
A	50	100	50	100	50	100	50	100	50	100	50	100	50	100	50	100	50	100	50	100	50	100	50
N	8	8	10	10	12	12	14	14	16	16	18	18	20	20	22	22	24	24	26	26	28	28	30
M	2	3	3	4	4	5	5	6	6	7	7	8	8	9	9	10	10	11	11	12	12	13	13
KG	3.5	3.8	4.1	4.4	4.7	5	5.3	5.6	5.9	6.2	6.5	6.8	7.1	7.4	7.7	8	8.3	8.6	8.9	9.2	9.5	9.8	10.1

如有超长行程及定制需求, 请咨询我司业务。If you have extra long trip and custom requirements, please consult our business.

电机外置左侧/电机外置右侧
Motor external left side / Motor external right side

ML 电机外置左侧 Motor external left side

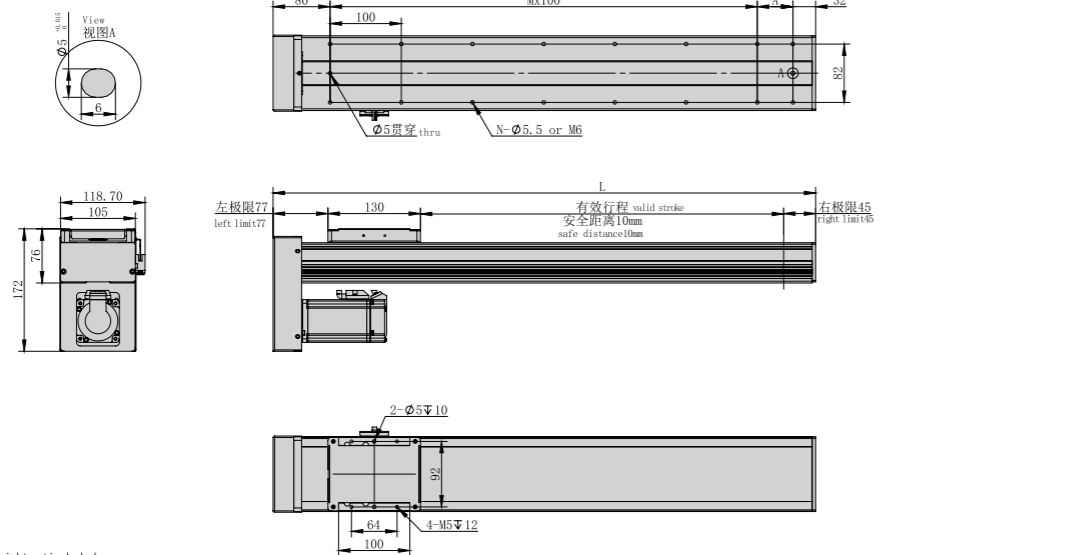


*不含电机重量。*Motor weight not included.

有效行程 Stroke	100	150	200	250	300	350	400	450	500	550	600	650	700	750	800	850	900	950	1000	1050	1100	1150	1200
L	362	412	462	512	562	612	662	712	762	812	862	912	962	1012	1062	1112	1162	1212	1262	1312	1362	1412	1462
A	50	100	50	100	50	100	50	100	50	100	50	100	50	100	50	100	50	100	50	100	50	100	50
N	8	8	10	10	12	12	14	14	16	16	18	18	20	20	22	22	24	24	26	26	28	28	30
M	2	3	3	4	4	5	5	6	6	7	7	8	8	9	9	10	10	11	11	12	12	13	13
KG	3.5	3.8	4.1	4.4	4.7	5	5.3	5.6	5.9	6.2	6.5	6.8	7.1	7.4	7.7	8	8.3	8.6	8.9	9.2	9.5	9.8	10.1

如有超长行程及定制需求, 请咨询我司业务。If you have extra long trip and custom requirements, please consult our business.

MP 电机外置下方 Motor external under below

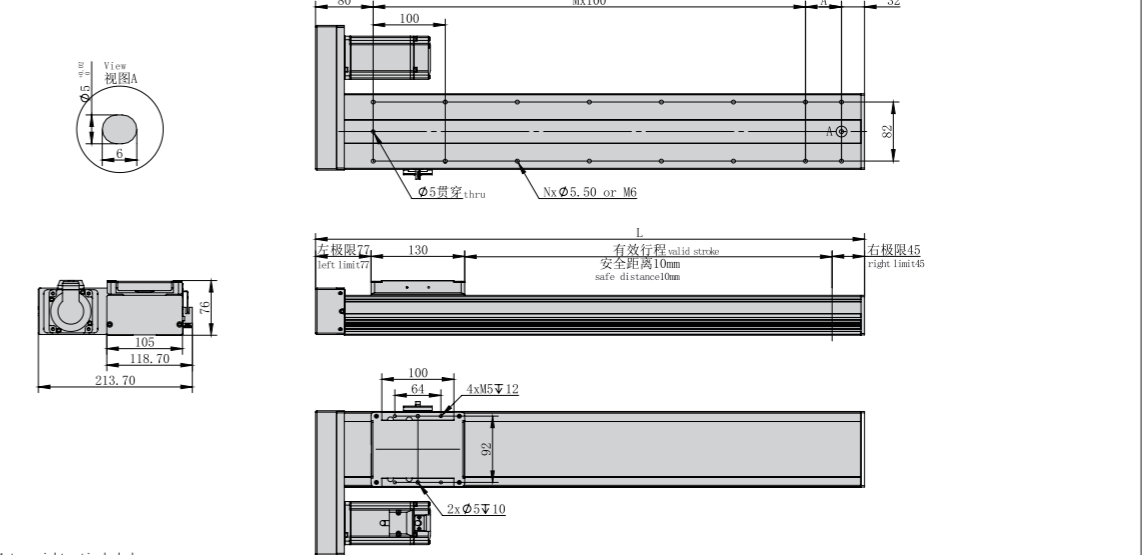


*不含电机重量。*Motor weight not included.

有效行程 Stroke	100	150	200	250	300	350	400	450	500	550	600	650	700	750	800	850	900	950	1000	1050	1100	1150	1200
L	362	412	462	512	562	612	662	712	762	812	862	912	962	1012	1062	1112	1162	1212	1262	1312	1362	1412	1462
A	50	100	50	100	50	100	50	100	50	100	50	100	50	100	50	100	50	100	50	100	50	100	50
N	8	8	10	10	12	12	14	14	16	16	18	18	20	20	22	22	24	24	26	26	28	28	30
M	2	3	3	4	4	5	5	6	6	7	7	8	8	9	9	10	10	11	11	12	12	13	13
KG	3.5	3.8	4.1	4.4	4.7	5	5.3	5.6	5.9	6.2	6.5	6.8	7.1	7.4	7.7	8	8.3	8.6	8.9	9.2	9.5	9.8	10.1

如有超长行程及定制需求, 请咨询我司业务。If you have extra long trip and custom requirements, please consult our business.

MR 电机外置右侧 Motor external right side



*不含电机重量。*Motor weight not included.

有效行程 Stroke	100	150	200	250	300	350	400	450	500	550	600	650	700	750	800	850	900	950	1000	1050	1100	1150	1200
L	362	412	462	512	562	612	662	712	762	812	862	912	962	1012	1062	1112	1162	1212	1262	1312	1362	1412	1462
A	50	100	50	100	50	100	50	100	50	100	50	100	50	100	50	100	50	100	50	100	50	100	50
N	8	8	10	10	12	12	14	14	16	16	18	18	20	20	22	22	24	24	26	26	28	28	30
M	2	3	3	4	4	5	5	6	6	7	7	8	8	9	9	10	10	11	11	12	12	13	13
KG	3.5	3.8	4.1	4.4	4.7	5	5.3	5.6	5.9	6.2	6.5	6.8	7.1	7.4	7.7	8	8.3	8.6	8.9	9.2	9.5	9.8	10.1

如有超长行程及定制需求, 请咨询我司业务。If you have extra long trip and custom requirements, please consult our business.



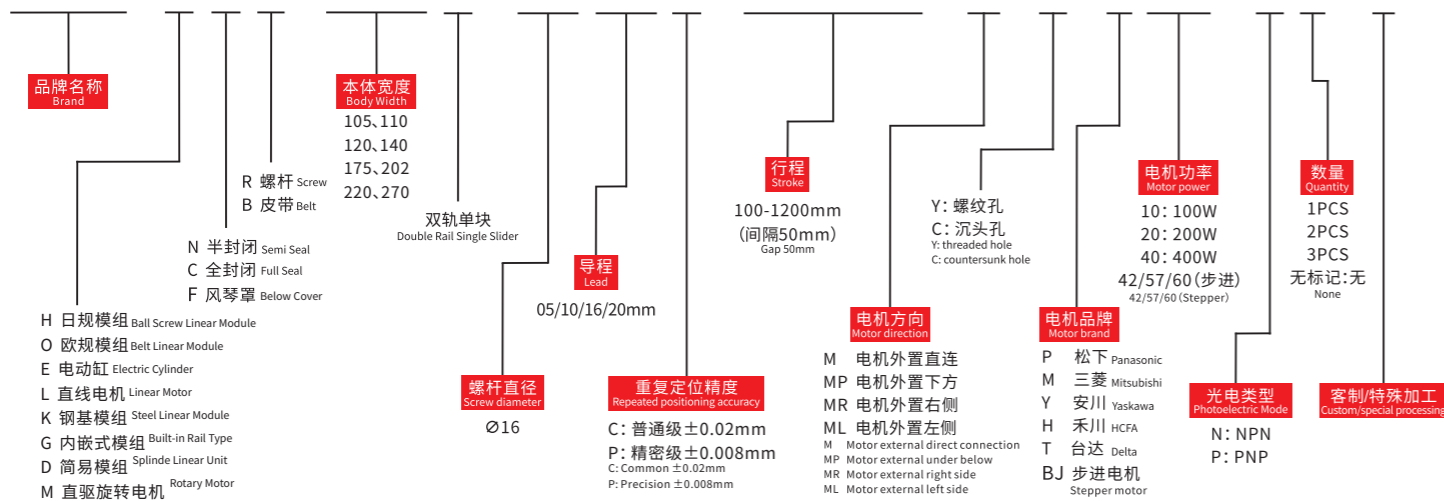
重复精度
Repeat Accuracy
±0.02 mm

此图仅供参考, 出货规格详见尺寸图面
This drawing is for reference only, Please refer to the size drawing for shipment specifications.

- 最大行程 Max stroke: 1200mm
- 最高速度 Max speed: 1000mm/s
- 马达容量 Motor output: 200W
- 滚珠螺杆 Ball screw: Ø16mm
- 直线滑轨 Linear guide: 12X8-2支

型号表达方式 Ordering method

TPA-HCR-110D-1610C-L1200-M-Y-P20-N3-F



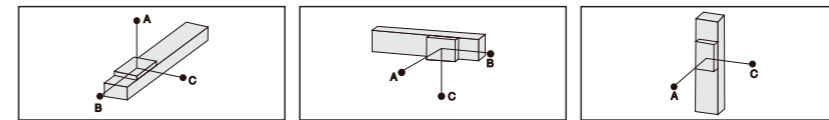
产品性能参数如下 Product performance parameters are as follows

电机功率 (W) Motor power (W)	200				
额定扭矩 (N.M) Rated torque (N.M)	0.64				
重复定位精度 (mm) Repeated positioning accuracy (mm)	±0.02				
导程 (mm) Lead (mm)	5	10	16	20	
最高速度 (mm/s) Maximum speed (mm/s)	250	500	800	1000	
电机额定转速 (RPM) Rated speed of motor (RPM)	3000				
最大可搬重量 Maximum Payload	水平使用 (kg) Horizontal (kg)	50	25	19	13
	垂直使用 (kg) Vertical (kg)	22	11	8	6
定格推力 (N) Rated thrust (N)	615	307	192	154	
标准行程 (mm) Stroke pitch (mm)	100~1200mm/50 间隔 50 mm Pitch				
滚珠螺杆外径 (mm) Ball screw Ø (mm)	Ø16				
基座材质 Material of base	硬质挤压铝材A1 Hard extruded aluminum A1				
安装面精度要求 (mm) Accuracy requirements of installation surface (mm)	C级<0.05; P级<0.02 C level<0.05 P level<0.02				
使用环境 Operating environment	0~40°C, 85%RH (无凝结) No condensation				

注1: 使用非上述功率电机时请依据实际参数推算。
Note 1: When using a motor with a power other than the above, please calculate according to the actual parameters.

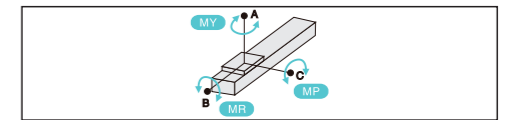
注2: 最高速度因行程和负载而异, 当螺杆细长比大于1:50时, 可能会因螺杆临界速度产生共振和抖动, 应适当下调运行速度, 一般螺杆每增长100mm, 速度应下调10~15%。
Note 2: The maximum speed varies with stroke and load. When the screw slenderness ratio is greater than 1:50, resonance and jitter may occur due to the critical speed of the screw, so the running speed should be reduced appropriately. Generally, the speed should be reduced by 10~15% for every 100mm increase of the screw.

容许负载力矩表 N.m Allowable overhang



水平安装 Horizontal installation (单位Unit:mm)				侧面安装 Side mounting (单位Unit:mm)				垂直安装 Vertical installation (单位Unit:mm)			
导程 Lead	A	B	C	导程 Lead	A	B	C	导程 Lead	A	B	C
5	30kg	15	35	399	10kg	1385	37	95	10kg	132	99
5	50kg	-	-	-	20kg	495	-	19	13kg	100	72
	60kg	-	-	-	30kg	-	-	-	15kg	79	39
10	20kg	57	68	323	10kg	495	29	86	6kg	208	164
	25kg	23	51	205	20kg	209	-	11	8kg	96	58
10	35kg	-	-	100	30kg	-	-	-	10kg	42	7
	10kg	160	177	567	5kg	610	100	143	3kg	245	189
16	15kg	82	109	350	10kg	371	82	113	5kg	180	153
	23kg	-	-	116	20kg	168	-	21	7kg	52	10
20	5kg	188	210	872	5kg	575	102	140	1kg	478	438
	10kg	89	108	441	10kg	308	65	88	2kg	199	111
20	18kg	55	60	260	20kg	122	-	3	4kg	148	96

静态容许负载惯量 Static loading moment



	MY	MP	MR
MY	110		
MP		110	
MR			120

*力矩表所表示的数据, 代表重心。
The torque value in the chart indicate the center of gravity.

*符合型录规范的正常试用下, 保证寿命为10000公里。
Operation life is 10,000km when the product is using under the specified conditions.

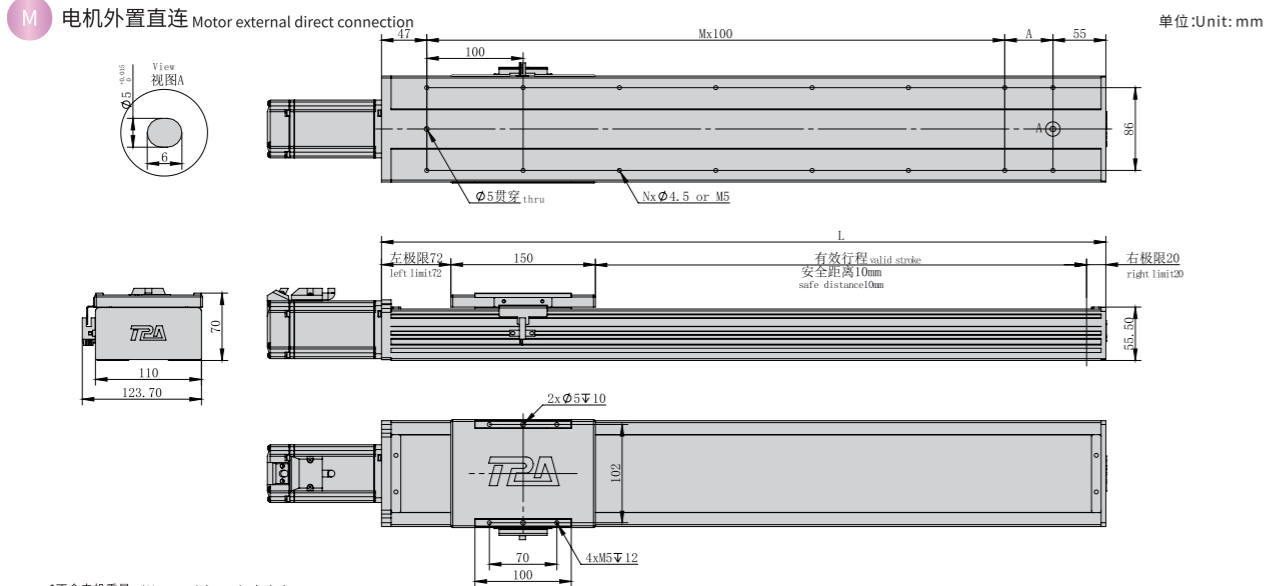
*倒吊使用无法套用标准规范, 如有需求请咨询我司业务。
The standard specification cannot be applied to the use of inverted crane. Please consult our business if necessary.

搭配伺服马达一览表 Suitable motor brand

品牌 Brand	马达记号 Mark	刹车有无 Brake	马达容量 Motor capacity	电源电压 AC-Voltage	伺服马达型号 Servo motor model	驱动器型号 Driver Model
三菱 Mitsubishi	M	无刹车(水平式样) No brake (horizontal type)	200	220	HG-KR73	MR-J4-70A
松下 Panasonic	P	无刹车(水平式样) No brake (horizontal type)	200	220	MHMD082G1U	MBDHT3520
台达 Delta	T	无刹车(水平式样) No brake (horizontal type)	200	220	ECMA-C20807ES	ASD-B20721-B



电机外置直连/电机外置下方
Motor external direct connection/Motor external under below

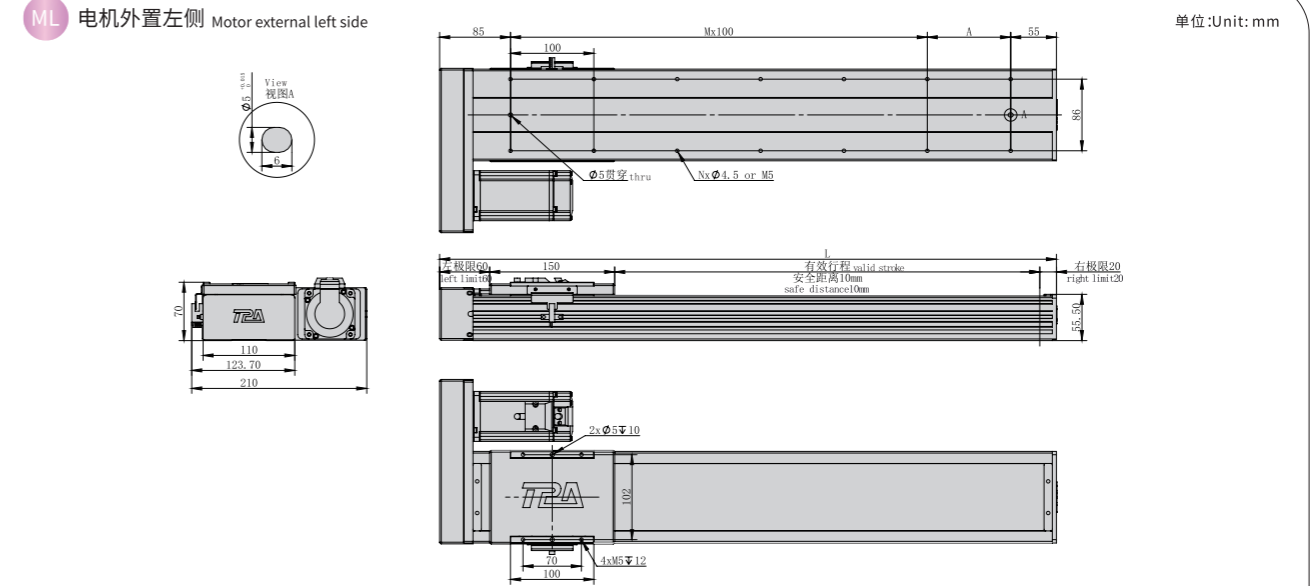


*不含电机重量。*Motor weight not included.

有效行程 Stroke	100	150	200	250	300	350	400	450	500	550	600	650	700	750	800	850	900	950	1000	1050	1100	1150	1200
L	352	402	452	502	552	602	652	702	752	802	852	902	952	1002	1052	1102	1152	1202	1252	1302	1352	1402	1452
A	50	100	50	100	50	100	50	100	50	100	50	100	50	100	50	100	50	100	50	100	50	100	50
N	8	8	10	10	12	12	14	14	16	16	18	18	20	20	22	22	24	24	26	26	28	28	30
M	2	2	3	3	4	4	5	5	6	6	7	7	8	8	9	9	10	10	11	11	12	12	13
KG	5.2	5.7	6.2	6.7	7.2	7.7	8.2	8.7	9.2	9.7	10.2	10.7	11.2	11.7	12.2	12.7	13.2	13.7	14.2	14.7	15.2	15.7	16.2

如有超长行程及定制需求,请咨询我司业务。If you have extra long trip and custom requirements, please consult our business.

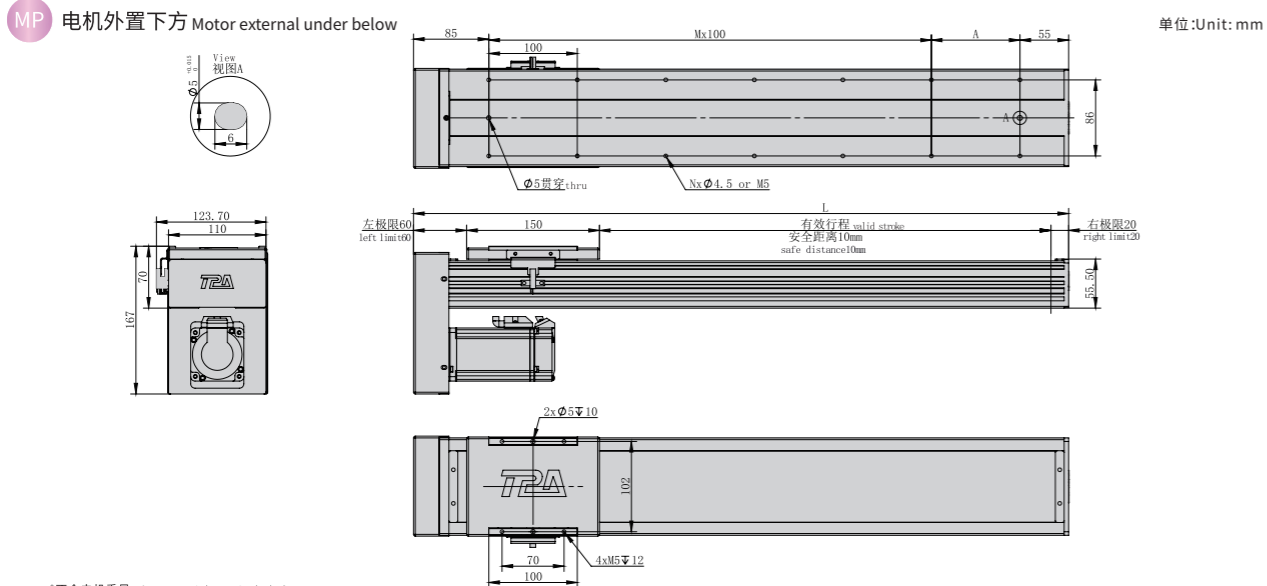
电机外置左侧/电机外置右侧
Motor external left side / Motor external right side



*不含电机重量。*Motor weight not included.

有效行程 Stroke	100	150	200	250	300	350	400	450	500	550	600	650	700	750	800	850	900	950	1000	1050	1100	1150	1200
L	340	390	440	490	540	590	640	690	740	790	840	890	940	990	1040	1090	1140	1190	1240	1290	1340	1390	1440
A	100	50	100	50	100	50	100	50	100	50	100	50	100	50	100	50	100	50	100	50	100	50	100
N	6	8	8	10	10	12	12	14	14	16	16	18	18	20	20	22	22	24	24	26	26	28	28
M	1	2	2	3	3	4	4	5	5	6	6	7	7	8	8	9	9	10	10	11	11	12	12
KG	5.5	6	6.5	7	7.5	8	8.5	9	9.5	10	10.5	11	11.5	12	12.5	13	13.5	14	14.5	15	15.5	16	16.5

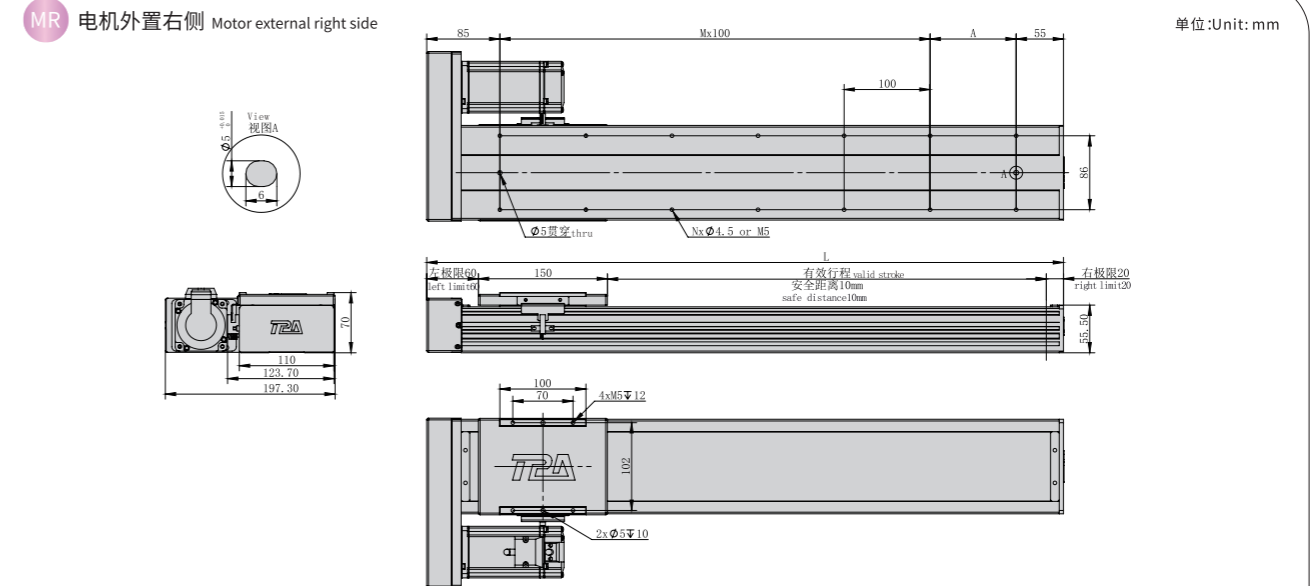
如有超长行程及定制需求,请咨询我司业务。If you have extra long trip and custom requirements, please consult our business.



*不含电机重量。*Motor weight not included.

有效行程 Stroke	100	150	200	250	300	350	400	450	500	550	600	650	700	750	800	850	900	950	1000	1050	1100	1150	1200
L	340	390	440	490	540	590	640	690	740	790	840	890	940	990	1040	1090	1140	1190	1240	1290	1340	1390	1440
A	100	50	100	50	100	50	100	50	100	50	100	50	100	50	100	50	100	50	100	50	100	50	100
N	6	8	8	10	10	12	12	14	14	16	16	18	18	20	20	22	22	24	24	26	26	28	28
M	1	2	2	3	3	4	4	5	5	6	6	7	7	8	8	9	9	10	10	11	11	12	12
KG	5.5	6	6.5	7	7.5	8	8.5	9	9.5	10	10.5	11	11.5	12	12.5	13	13.5	14	14.5	15	15.5	16	16.5

如有超长行程及定制需求,请咨询我司业务。If you have extra long trip and custom requirements, please consult our business.



*不含电机重量。*Motor weight not included.

有效行程 Stroke	100	150	200	250	300	350	400	450	500	550	600	650	700	750	800	850	900	950	1000	1050	1100	1150	1200
L	340	390	440	490	540	590	640	690	740	790	840	890	940	990	1040	1090	1140	1190	1240	1290	1340	1390	1440
A	100	50	100	50	100	50	100	50	100	50	100	50	100	50	100	50	100	50	100	50	100	50	100
N	6	8	8	10	10	12	12	14	14	16	16	18	18	20	20	22	22	24	24	26	26	28	28
M	1	2	2	3	3	4	4	5	5	6	6	7	7	8	8	9	9	10	10	11	11	12	12
KG	5.5	6	6.5	7	7.5	8	8.5	9	9.5	10	10.5	11	11.5	12	12.5	13	13.5	14	14.5	15	15.5	16	16.5

如有超长行程及定制需求,请咨询我司业务。If you have extra long trip and custom requirements, please consult our business.



重复精度
Repeat Accuracy
±0.02 mm

此图仅供参考, 出货规格详见尺寸图面
This drawing is for reference only, Please refer to the size drawing for shipment specifications.

最大行程
Max stroke 1200mm

最高速度
Max speed 1000mm/s

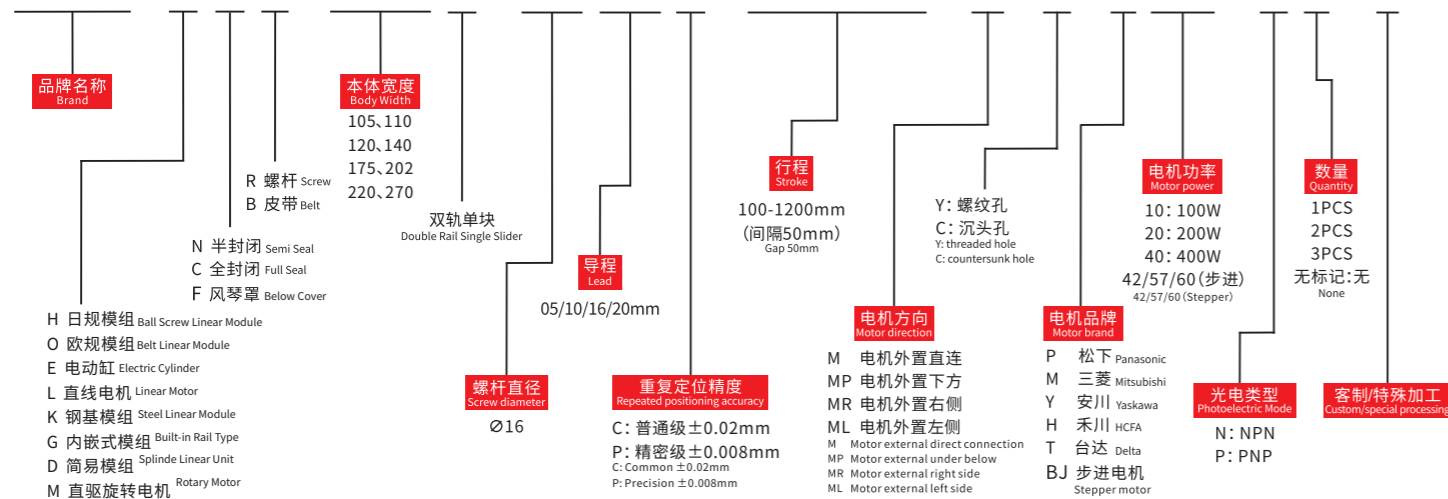
马达容量
Motor output 200W

滚珠螺杆
Ball screw Ø16mm

直线滑轨
Linear guide 15X12.5-2支

型号表达方式 Ordering method

TPA-HCR-120D-1610C-L1200-M-Y-P20-N3-F



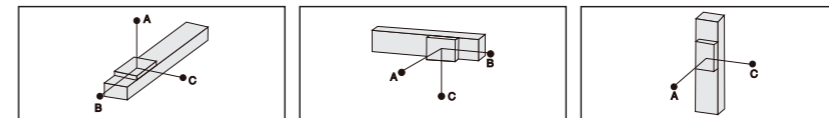
产品性能参数如下 Product performance parameters are as follows

规格 Spec	电机功率 (W) Motor power (W)	200				
	额定扭矩 (N.M) Rated torque (N.M)	0.64				
	重复定位精度 (mm) Repeated positioning accuracy (mm)	±0.02				
	导程 (mm) Lead (mm)	5	10	16	20	
	最高速度 (mm/s) Maximum speed (mm/s)	250	500	800	1000	
	电机额定转速 (RPM) Rated speed of motor (RPM)	3000				
	最大可搬重量 Maximum Payload	水平使用 (kg) Horizontal (kg)	60	30	23	25
		垂直使用 (kg) Vertical (kg)	27	12	10	7
	定格推力 (N) Rated thrust (N)	615	307	192	154	
	标准行程 (mm) Stroke pitch (mm)	100~1200mm/50 间隔 50 mm Pitch				
部品 Parts	滚珠螺杆外径 (mm) Ball screw Ø (mm)	Ø16				
	基座材质 Material of base	硬质挤压铝材A1 Hard extruded aluminum A1				
	安装面精度要求 (mm) Accuracy requirements of installation surface (mm)	C级<0.05; P级<0.02 C level<0.05 P level<0.02				
	使用环境 Operating environment	0~40°C, 85%RH (无凝结) No condensation				

注1: 使用非上述功率电机时请依据实际参数推算。
Note 1: When using a motor with a power other than the above, please calculate according to the actual parameters.

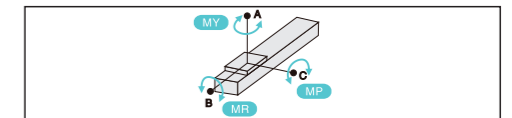
注2: 最高速度因行程和负载而异, 当螺杆细长比大于1:50时, 可能会因螺杆临界速度产生共振和抖动, 应适当下调运行速度, 一般螺杆每增长100mm, 速度应下调10~15%。
Note 2: The maximum speed varies with stroke and load. When the screw slenderness ratio is greater than 1:50, resonance and jitter may occur due to the critical speed of the screw, so the running speed should be reduced appropriately. Generally, the speed should be reduced by 10~15% for every 100mm increase of the screw.

容许负载力矩表 N.m Allowable overhang



水平安装 Horizontal installation				侧面安装 Side mounting				垂直安装 Vertical installation				
导程 Lead	A	B	C	导程 Lead	A	B	C	导程 Lead	A	B	C	
5	30kg	882	65	78	25kg	100	84	1102	5	5kg	544	544
	40kg	606	43	51	35kg	63	52	725		8kg	341	341
	50kg	437	29	35	50kg	35	29	433		12kg	227	227
10	15kg	875	138	157	10kg	250	221	1311	10	4kg	606	606
	25kg	485	73	83	20kg	110	97	633		8kg	303	303
	30kg	386	56	64	30kg	64	56	385		-	-	-
16	3kg	1644	888	770	2kg	1182	1364	2512	16	2kg	961	961
	5kg	984	510	448	5kg	448	510	976		3kg	639	639
	-	-	-	-	-	-	-	-		-	-	-
20	5kg	1160	384	386	5kg	317	316	955	20	2kg	961	961
	10kg	561	180	181	12kg	147	144	455		3kg	639	639
	18kg	288	88	89	18kg	89	88	288		-	-	-

静态容许负载惯量 Static loading moment



	MY	MP	MR
150	150	150	130

*力矩表所表示的数据, 代表重心。
The torque value in the chart indicate the center of gravity.

*符合型录规范的正常试用下, 保证寿命为10000公里。
Operation life is 10,000km when the product is using under the specified conditions.

*倒吊使用无法套用标准规范, 如有需求请咨询我司业务。
The standard specification cannot be applied to the use of inverted crane. Please consult our business if necessary.

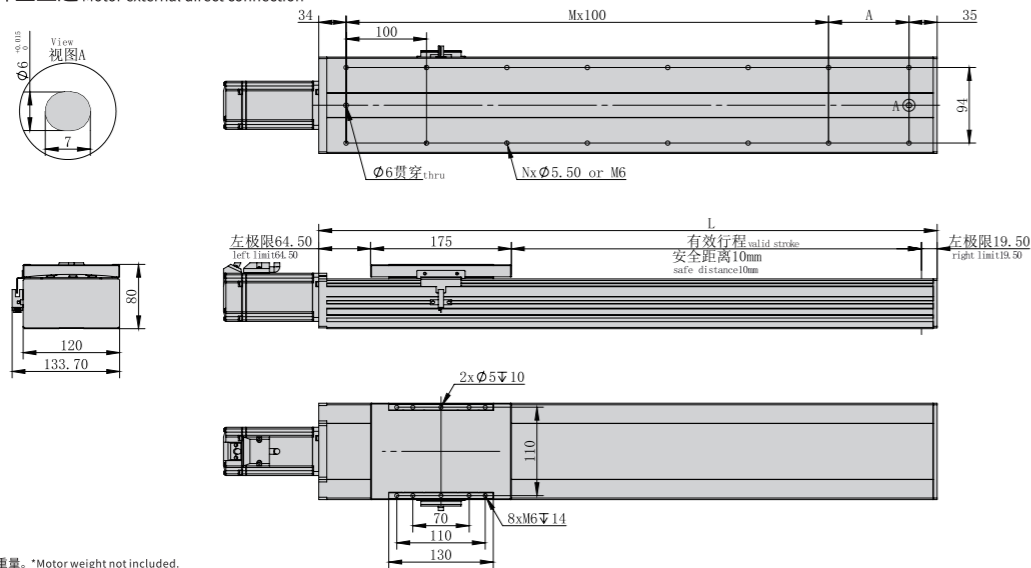
搭配伺服马达一览表 Suitable motor brand

品牌 Brand	马达记号 Mark	刹车有无 Brake	马达容量 Motor capacity	电源电压 AC-Voltage	伺服马达型号 Servo motor model	驱动器型号 Driver Model
三菱 Mitsubishi	M	无刹车(水平式样) No brake (horizontal type)	200	220	HG-KR73	MR-J4-70A
松下 Panasonic	P	无刹车(水平式样) No brake (horizontal type)	200	220	MHMD082G1U	MBDHT3520
台达 Delta	T	无刹车(水平式样) No brake (horizontal type)	200	220	ECMA-C20807ES	ASD-B20721-B



电机外置直连/电机外置下方
Motor external direct connection/Motor external under below

M 电机外置直连 Motor external direct connection 单位:Unit: mm



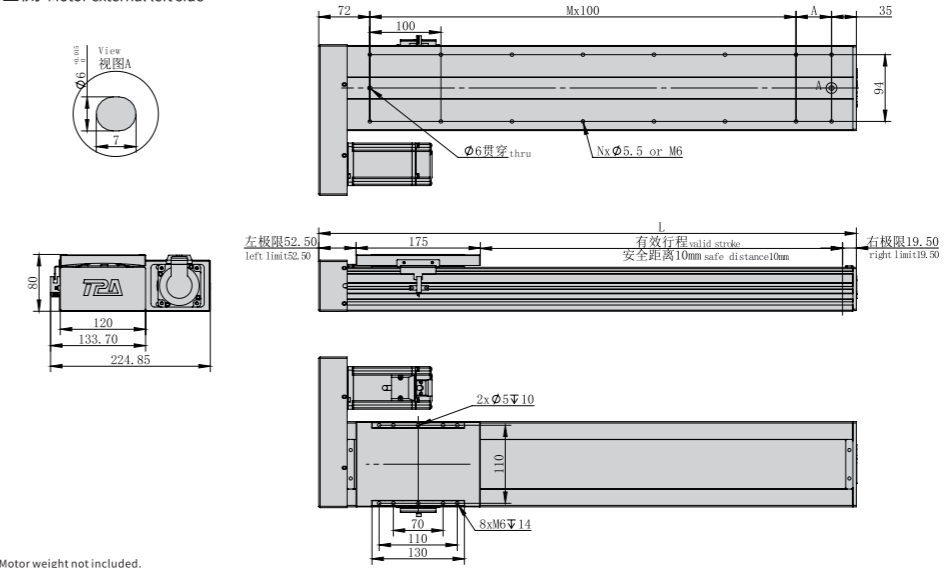
*不含电机重量。*Motor weight not included.

有效行程 Stroke	100	150	200	250	300	350	400	450	500	550	600	650	700	750	800	850	900	950	1000	1050	1100	1150	1200
L	369	419	469	519	569	619	669	719	769	819	869	919	969	1019	1069	1119	1169	1219	1269	1319	1369	1419	1469
A	100	50	100	50	100	50	100	50	100	50	100	50	100	50	100	50	100	50	100	50	100	50	100
N	8	10	10	12	12	14	14	16	16	18	18	20	20	22	22	24	24	26	26	28	28	30	30
M	2	3	3	4	4	5	5	6	6	7	7	8	8	9	9	10	10	11	11	12	12	13	13
KG	6.5	7.5	8.5	9.5	10.5	11.5	12.5	13.5	14.5	15.5	16.5	17.5	18.5	19.5	20.5	21.5	22.5	23.5	24.5	25.5	26.5	27.5	28.5

如有超长行程及定制需求,请咨询我司业务。If you have extra long trip and custom requirements, please consult our business.

电机外置左侧/电机外置右侧
Motor external left side / Motor external right side

ML 电机外置左侧 Motor external left side 单位:Unit: mm

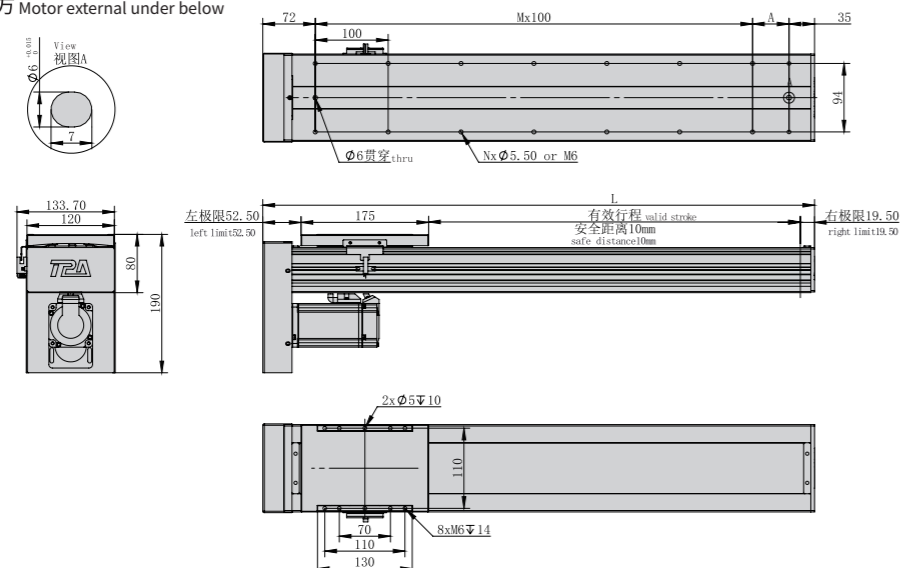


*不含电机重量。*Motor weight not included.

有效行程 Stroke	100	150	200	250	300	350	400	450	500	550	600	650	700	750	800	850	900	950	1000	1050	1100	1150	1200
L	357	407	457	507	557	607	657	707	757	807	857	907	957	1007	1057	1107	1157	1207	1257	1307	1357	1407	1457
A	50	100	50	100	50	100	50	100	50	100	50	100	50	100	50	100	50	100	50	100	50	100	50
N	8	8	10	10	12	12	14	14	16	16	18	18	20	20	22	22	24	24	26	26	28	28	30
M	2	2	3	3	4	4	5	5	6	6	7	7	8	8	9	9	10	10	11	11	12	12	13
KG	6.2	7.2	8.2	9.2	10.2	11.2	12.2	13.2	14.2	15.2	16.2	17.2	18.2	19.2	20.2	21.2	22.2	23.2	24.2	25.2	26.2	27.2	28.2

如有超长行程及定制需求,请咨询我司业务。If you have extra long trip and custom requirements, please consult our business.

MP 电机外置下方 Motor external under below 单位:Unit: mm

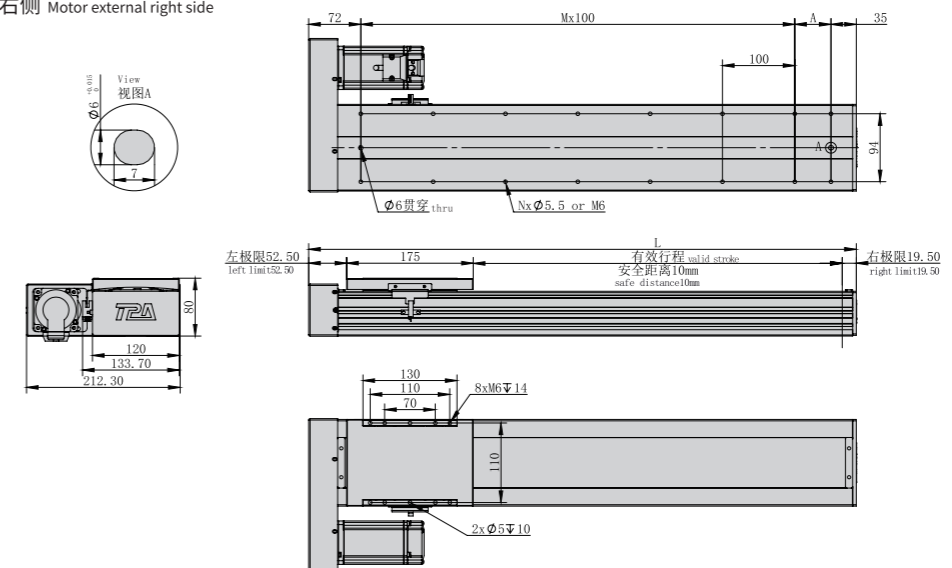


*不含电机重量。*Motor weight not included.

有效行程 Stroke	100	150	200	250	300	350	400	450	500	550	600	650	700	750	800	850	900	950	1000	1050	1100	1150	1200
L	357	407	457	507	557	607	657	707	757	807	857	907	957	1007	1057	1107	1157	1207	1257	1307	1357	1407	1457
A	50	100	50	100	50	100	50	100	50	100	50	100	50	100	50	100	50	100	50	100	50	100	50
N	8	8	10	10	12	12	14	14	16	16	18	18	20	20	22	22	24	24	26	26	28	28	30
M	2	2	3	3	4	4	5	5	6	6	7	7	8	8	9	9	10	10	11	11	12	12	13
KG	6.2	7.2	8.2	9.2	10.2	11.2	12.2	13.2	14.2	15.2	16.2	17.2	18.2	19.2	20.2	21.2	22.2	23.2	24.2	25.2	26.2	27.2	28.2

如有超长行程及定制需求,请咨询我司业务。If you have extra long trip and custom requirements, please consult our business.

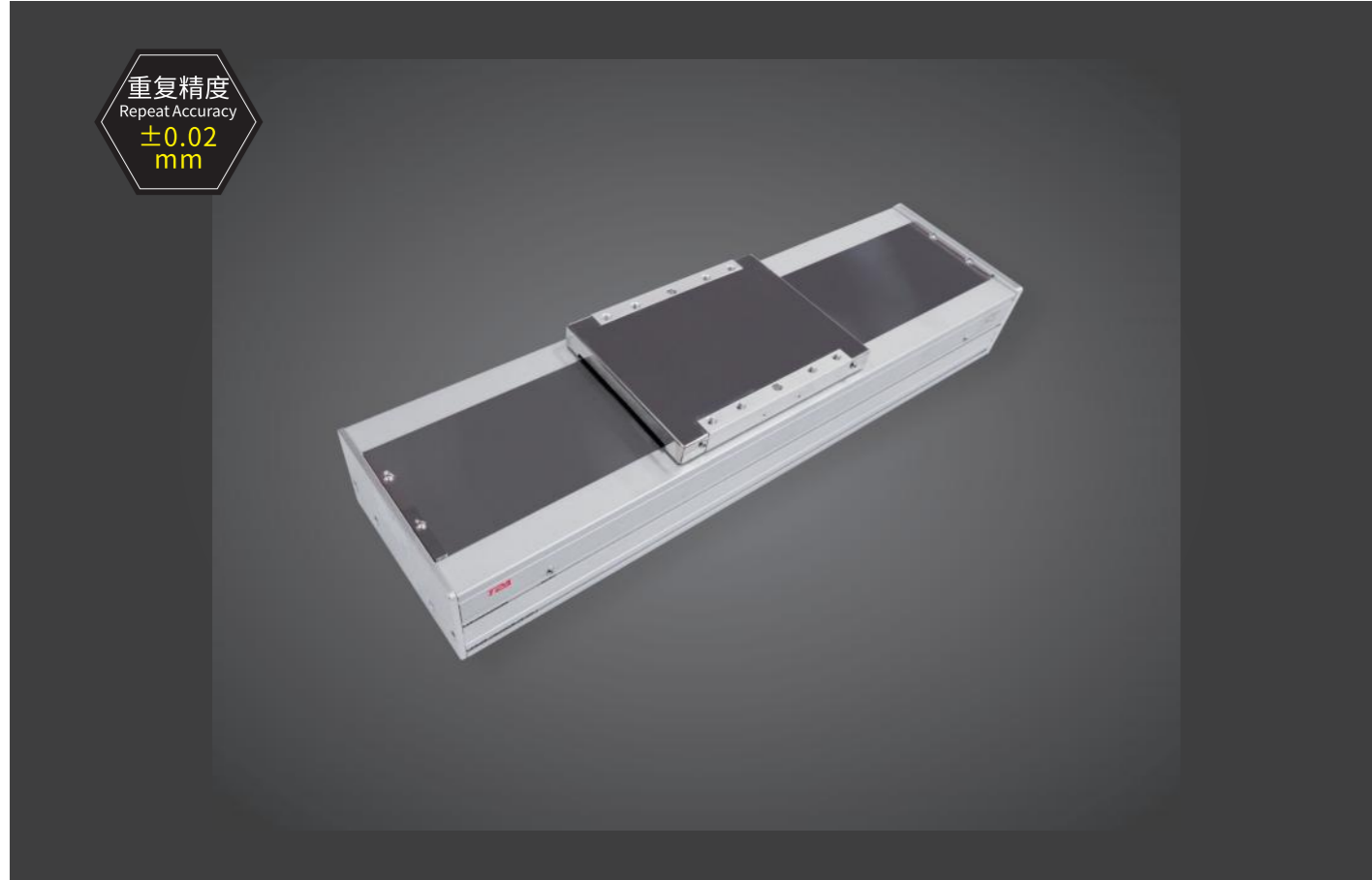
MR 电机外置右侧 Motor external right side 单位:Unit: mm



*不含电机重量。*Motor weight not included.

有效行程 Stroke	100	150	200	250	300	350	400	450	500	550	600	650	700	750	800	850	900	950	1000	1050	1100	1150	1200
L	357	407	457	507	557	607	657	707	757	807	857	907	957	1007	1057	1107	1157	1207	1257	1307	1357	1407	1457
A	50	100	50	100	50	100	50	100	50	100	50	100	50	100	50	100	50	100	50	100	50	100	50
N	8	8	10	10	12	12	14	14	16	16	18	18	20	20	22	22	24	24	26	26	28	28	30
M	2	2	3	3	4	4	5	5	6	6	7	7	8	8	9	9	10	10	11	11	12	12	13
KG	6.2	7.2	8.2	9.2	10.2	11.2	12.2	13.2	14.2	15.2	16.2	17.2	18.2	19.2	20.2	21.2	22.2	23.2	24.2	25.2	26.2	27.2	28.2

如有超长行程及定制需求,请咨询我司业务。If you have extra long trip and custom requirements, please consult our business.



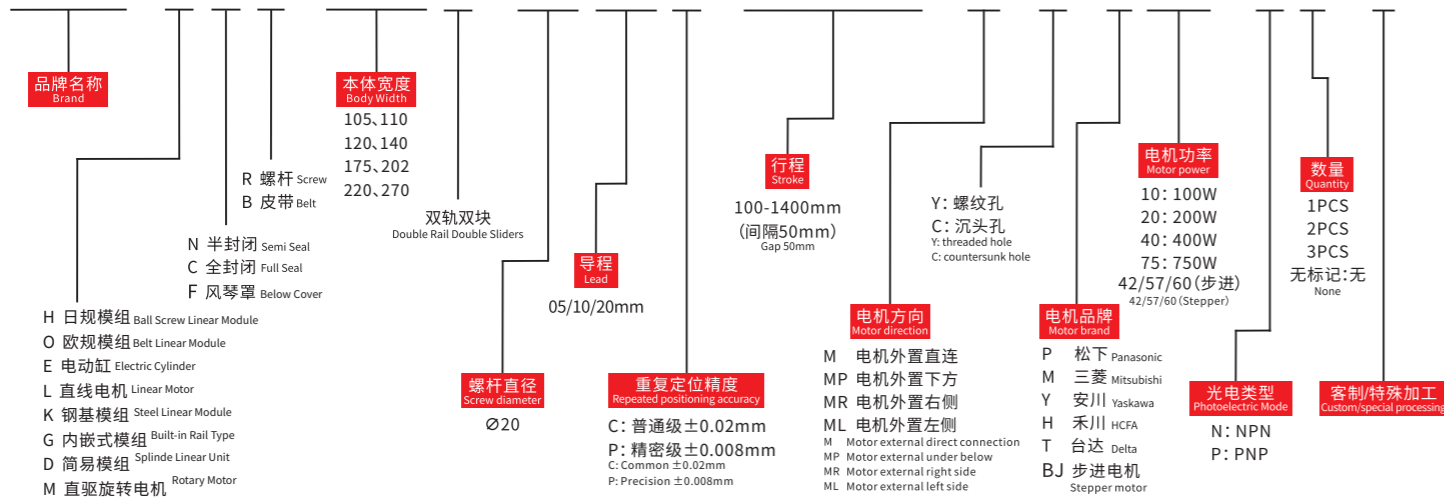
重复精度
Repeat Accuracy
±0.02 mm

此图仅供参考, 出货规格详见尺寸图面
This drawing is for reference only, Please refer to the size drawing for shipment specifications.

- 最大行程 Max stroke: 1400mm
- 最高速度 Max speed: 1000mm/s
- 马达容量 Motor output: 400W
- 滚珠螺杆 Ball screw: Ø20mm
- 直线滑轨 Linear guide: 15X12.5-2支

型号表达方式 Ordering method

TPA-HCR-140D-2010C-L1400-M-Y-P40-N3-F



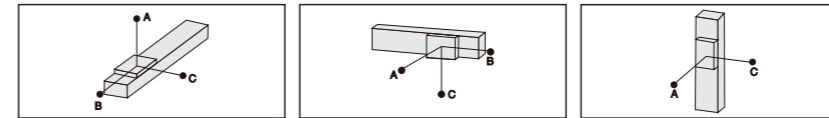
产品性能参数如下 Product performance parameters are as follows

规格 Spec	电机功率 (W) Motor power (W)	400			
	额定扭矩 (N.M) Rated torque (N.M)	1.3			
	重复定位精度 (mm) Repeated positioning accuracy (mm)	±0.02			
	导程 (mm) Lead (mm)	5	10	20	
	最高速度 (mm/s) Maximum speed (mm/s)	250	500	1000	
	电机额定转速 (RPM) Rated speed of motor (RPM)	3000			
	最大可搬重量 Maximum Payload	水平使用 (kg) Horizontal (kg)	110	88	40
		垂直使用 (kg) Vertical (kg)	50	40	25
	定格推力 (N) Rated thrust (N)	1250	625	312	
	标准行程 (mm) Stroke pitch (mm)	100~1400mm/50 间隔 50 mm Pitch			
部品 Parts	滚珠螺杆外径 (mm) Ball screw Ø (mm)	Ø20			
	基座材质 Material of base	硬质挤压铝材A1 Hard extruded aluminum A1			
	安装面精度要求 (mm) Accuracy requirements of installation surface (mm)	C级<0.05; P级<0.02 C level<0.05 P level<0.02			
	使用环境 Operating environment	0~40°C, 85%RH (无凝结) No condensation			

注1: 使用非上述功率电机时请依据实际参数推算。
Note 1: When using a motor with a power other than the above, please calculate according to the actual parameters.

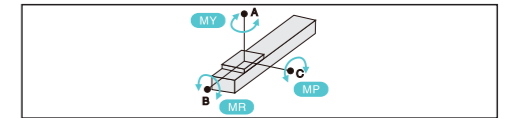
注2: 最高速度因行程和负载而异, 当螺杆细长比大于1:50时, 可能会因螺杆临界速度产生共振和抖动, 应适当下调运行速度, 一般螺杆每增长100mm, 速度应下调10~15%。
Note 2: The maximum speed varies with stroke and load. When the screw slenderness ratio is greater than 1:50, resonance and jitter may occur due to the critical speed of the screw, so the running speed should be reduced appropriately. Generally, the speed should be reduced by 10~15% for every 100mm increase of the screw.

容许负载力矩表 N.m Allowable overhang



导程 Lead	水平安装 Horizontal installation (单位Unit:mm)				侧面安装 Side mounting (单位Unit:mm)				垂直安装 Vertical installation (单位Unit:mm)			
	A	B	C	重量 Weight	A	B	C	重量 Weight	A	B	C	重量 Weight
5	60kg	2515	242	232	55kg	257	269	2883	15kg	1118	1118	
	80kg	1811	172	164	75kg	178	186	2000	22kg	770	770	
	95kg	1537	138	133	95kg	133	138	1537	27kg	626	626	
10	30kg	2727	470	430	35kg	363	395	2368	10kg	1500	1500	
	50kg	1577	266	242	55kg	218	238	1445	14kg	1072	1072	
	75kg	1004	164	150	75kg	150	164	1004	18kg	833	833	
20	10kg	2304	1222	1028	12kg	854	1019	2552	4kg	2980	2980	
	22kg	1443	540	451	20kg	500	596	1588	7kg	1700	1700	
	35kg	1005	324	271	35kg	271	324	1005	-	-	-	

静态容许负载惯量 Static loading moment



惯量点	惯量值 (单位Unit:N.m)
MY	551
MP	552
MR	485

*力矩表所表示的数据, 代表重心。
The torque value in the chart indicate the center of gravity.

*符合型录规范的正常试用下, 保证寿命为10000公里。
Operation life is 10,000km when the product is using under the specified conditions.

*倒吊使用无法套用标准规范, 如有需求请咨询我司业务。
The standard specification cannot be applied to the use of inverted crane. Please consult our business if necessary.

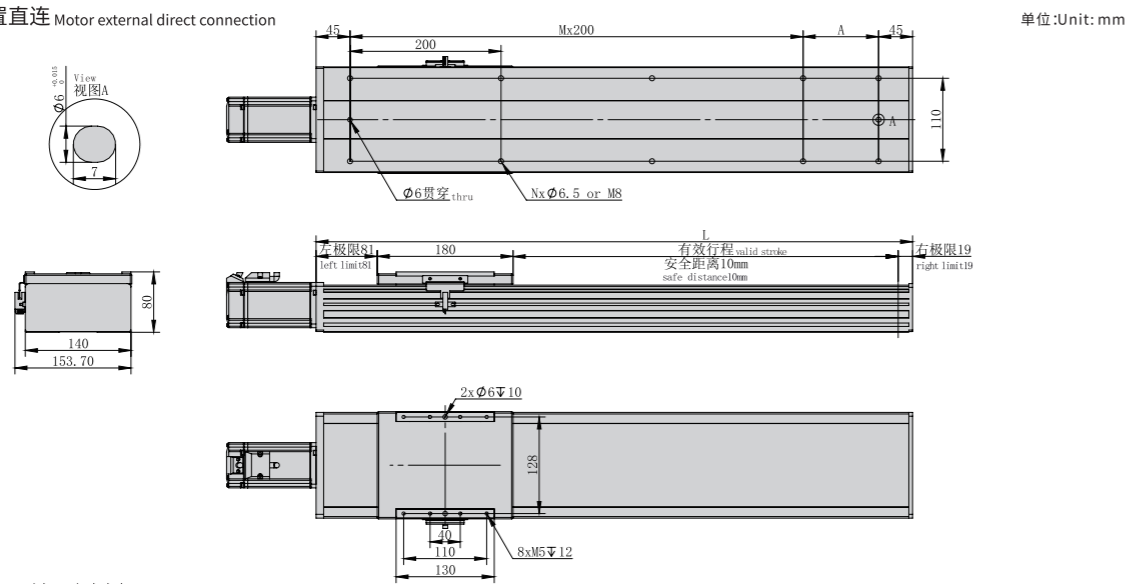
搭配伺服马达一览表 Suitable motor brand

品牌 Brand	马达记号 Mark	刹车有无 Brake	马达容量 Motor capacity	电源电压 AC-Voltage	伺服马达型号 Servo motor model	驱动器型号 Driver Model
三菱 Mitsubishi	M	无刹车(水平式样) No brake (horizontal type)	400	220	HG-KN43J-S100	MR-JE-40A
松下 Panasonic	P	无刹车(水平式样) No brake (horizontal type)	400	220	MHMF042L1U2M	MBDLN25SE
台达 Delta	T	无刹车(水平式样) No brake (horizontal type)	400	220	ECM-B3M-C20604RS1	ASD-B3-0421-L



电机外置直连/电机外置下方
Motor external direct connection/Motor external under below

M 电机外置直连 Motor external direct connection



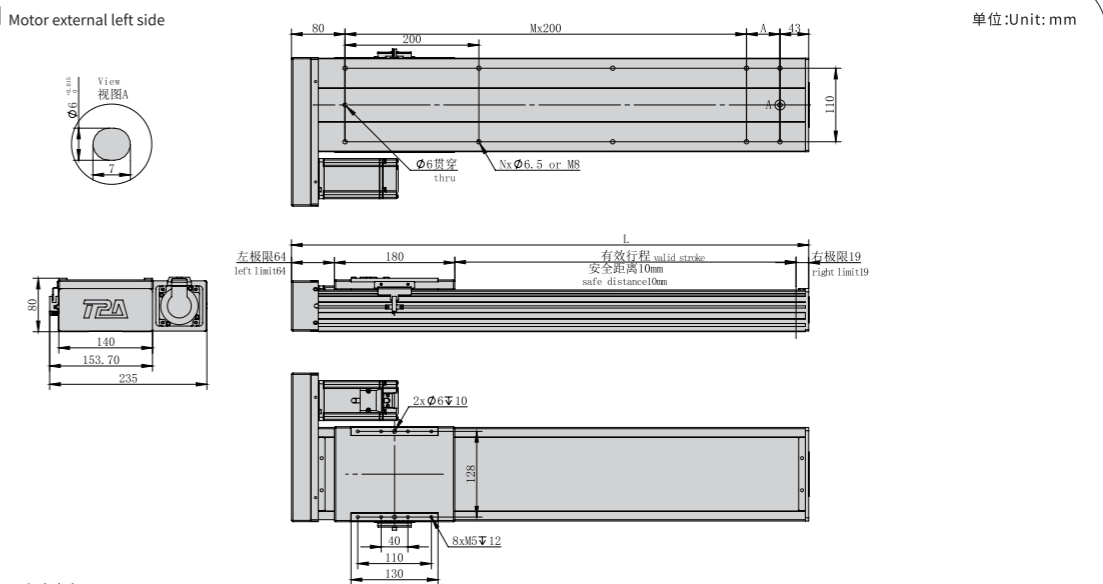
*不含电机重量。*Motor weight not included.

有效行程 Stroke	100	150	200	250	300	350	400	450	500	550	600	650	700	750	800	850	900	950	1000	1050	1100	1150	1200	1250	1300	1350	1400
L	390	440	490	540	590	640	690	740	790	840	890	940	990	1040	1090	1140	1190	1240	1290	1340	1390	1440	1490	1540	1590	1640	1690
A	100	150	200	50	100	150	200	50	100	150	200	50	100	150	200	50	100	150	200	50	100	150	200	50	100	150	200
N	6	6	6	8	8	8	8	10	10	10	10	12	12	12	12	14	14	14	14	16	16	16	16	18	18	18	18
M	1	1	1	2	2	2	2	3	3	3	3	4	4	4	4	5	5	5	5	6	6	6	6	7	7	7	7
KG	7.8	8.3	8.8	9.3	9.8	10.3	10.8	11.3	11.8	12.3	12.8	13.3	13.8	14.3	14.8	15.3	15.8	16.3	16.8	17.3	17.8	18.3	18.8	19.3	19.8	20.3	20.8

如有超长行程及定制需求,请咨询我司业务。If you have extra long trip and custom requirements, please consult our business.

电机外置左侧/电机外置右侧
Motor external left side / Motor external right side

ML 电机外置左侧 Motor external left side

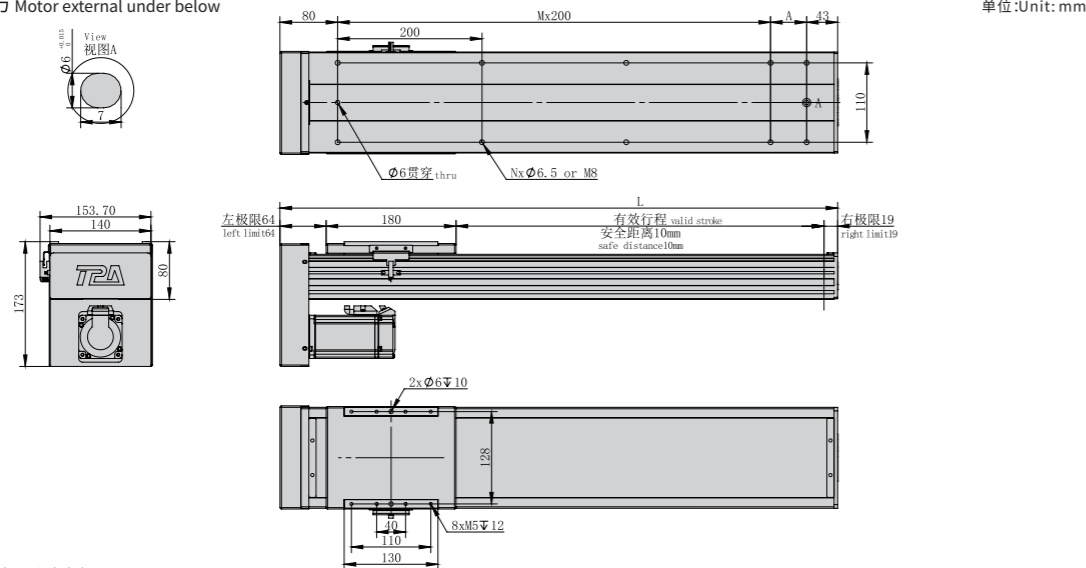


*不含电机重量。*Motor weight not included.

有效行程 Stroke	100	150	200	250	300	350	400	450	500	550	600	650	700	750	800	850	900	950	1000	1050	1100	1150	1200	1250	1300	1350	1400
L	373	423	473	523	573	623	673	723	773	823	873	923	973	1023	1073	1123	1173	1223	1273	1323	1373	1423	1473	1523	1573	1623	1673
A	100	150	200	50	100	150	200	50	100	150	200	50	100	150	200	50	100	150	200	50	100	150	200	50	100	150	200
N	6	6	6	6	8	8	8	8	10	10	10	10	12	12	12	12	14	14	14	14	16	16	16	16	18	18	18
M	1	1	1	1	2	2	2	2	3	3	3	3	4	4	4	4	5	5	5	5	6	6	6	6	7	7	7
KG	8.2	8.7	9.2	9.7	10.2	10.7	11.2	11.7	12.2	12.7	13.2	13.7	14.2	14.7	15.2	15.7	16.2	16.7	17.2	17.7	18.2	18.7	19.2	19.7	20.2	20.7	21.2

如有超长行程及定制需求,请咨询我司业务。If you have extra long trip and custom requirements, please consult our business.

MP 电机外置下方 Motor external under below

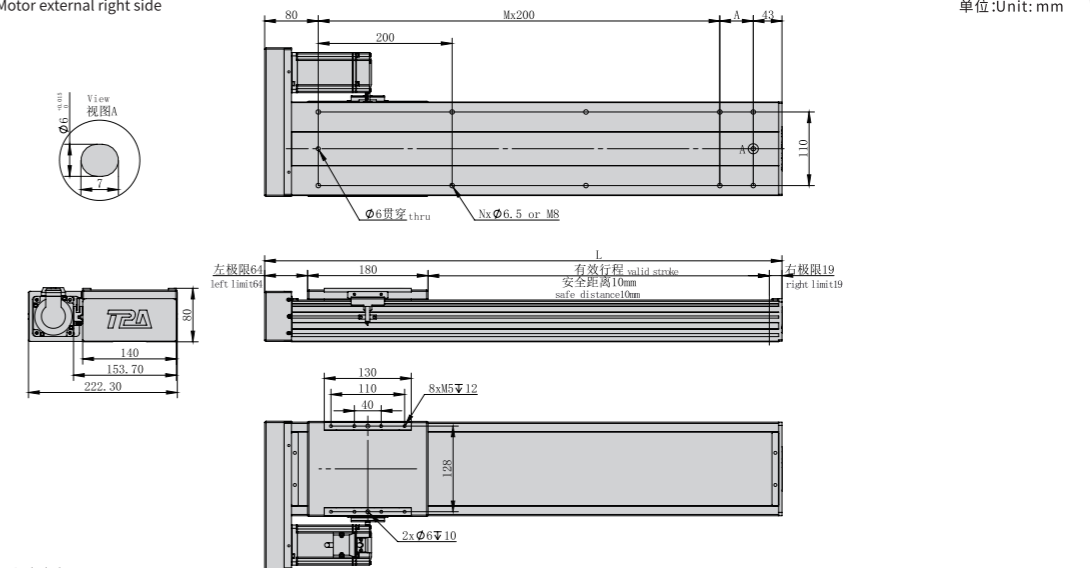


*不含电机重量。*Motor weight not included.

有效行程 Stroke	100	150	200	250	300	350	400	450	500	550	600	650	700	750	800	850	900	950	1000	1050	1100	1150	1200	1250	1300	1350	1400
L	373	423	473	523	573	623	673	723	773	823	873	923	973	1023	1073	1123	1173	1223	1273	1323	1373	1423	1473	1523	1573	1623	1673
A	100	150	200	50	100	150	200	50	100	150	200	50	100	150	200	50	100	150	200	50	100	150	200	50	100	150	200
N	6	6	6	6	8	8	8	8	10	10	10	10	12	12	12	12	14	14	14	14	16	16	16	16	18	18	18
M	1	1	1	1	2	2	2	2	3	3	3	3	4	4	4	4	5	5	5	5	6	6	6	6	7	7	7
KG	8.2	8.7	9.2	9.7	10.2	10.7	11.2	11.7	12.2	12.7	13.2	13.7	14.2	14.7	15.2	15.7	16.2	16.7	17.2	17.7	18.2	18.7	19.2	19.7	20.2	20.7	21.2

如有超长行程及定制需求,请咨询我司业务。If you have extra long trip and custom requirements, please consult our business.

MR 电机外置右侧 Motor external right side



*不含电机重量。*Motor weight not included.

有效行程 Stroke	100	150	200	250	300	350	400	450	500	550	600	650	700	750	800	850	900	950	1000	1050	1100	1150	1200	1250	1300	1350	1400
L	373	423	473	523	573	623	673	723	773	823	873	923	973	1023	1073	1123	1173	1223	1273	1323	1373	1423	1473	1523	1573	1623	1673
A	100	150	200	50	100	150	200	50	100	150	200	50	100	150	200	50	100	150	200	50	100	150	200	50	100	150	200
N	6	6	6	6	8	8	8	8	10	10	10	10	12	12	12	12	14	14	14	14	16	16	16	16	18	18	18
M	1	1	1	1	2	2	2	2	3	3	3	3	4	4	4	4	5	5	5	5	6	6	6	6	7	7	7
KG	8.2	8.7	9.2	9.7	10.2	10.7	11.2	11.7	12.2	12.7	13.2	13.7	14.2	14.7	15.2	15.7	16.2	16.7	17.2	17.7	18.2	18.7	19.2	19.7	20.2	20.7	21.2

如有超长行程及定制需求,请咨询我司业务。If you have extra long trip and custom requirements, please consult our business.



重复精度
Repeat Accuracy
 ± 0.02
mm

此图仅供参考, 出货规格详见尺寸图面
This drawing is for reference only, Please refer to the size drawing for shipment specifications.

最大行程
Max stroke 1800mm

最高速度
Max speed 1250mm/s

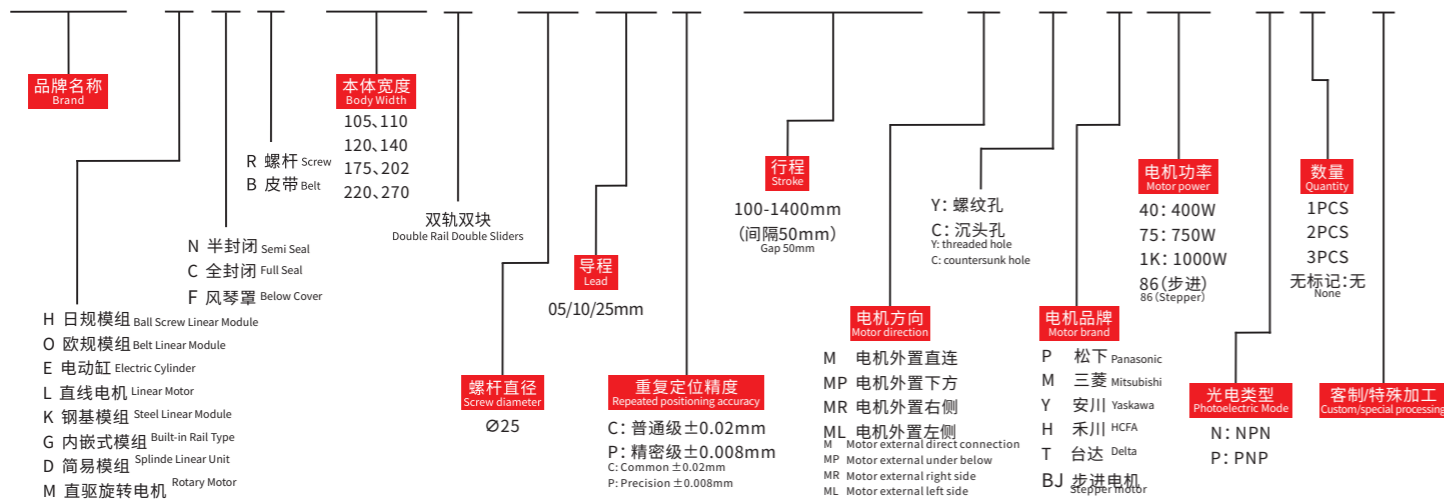
马达容量
Motor output 750W

滚珠螺杆
Ball screw $\varnothing 25$ mm

直线滑轨
Linear guide 20X15.5-2支

型号表达方式 Ordering method

TPA-HCR-175D-2510C-L1800-M-Y-P75-N3-F



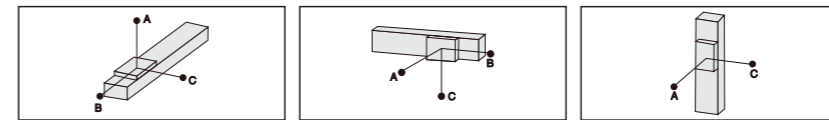
产品性能参数如下 Product performance parameters are as follows

规格 Spec	电机功率 (W) Motor power (W)	750			
	额定扭矩 (N.M) Rated torque (N.M)	2.4			
	重复定位精度 (mm) Repeated positioning accuracy (mm)	± 0.02			
	导程 (mm) Lead (mm)	5	10	25	
	最高速度 (mm/s) Maximum speed (mm/s)	250	500	1250	
	电机额定转速 (RPM) Rated speed of motor (RPM)	3000			
	最大可搬重量 Maximum Payload	水平使用 (kg) Horizontal (kg)	130	110	55
		垂直使用 (kg) Vertical (kg)	70	55	32
	定格推力 (N) Rated thrust (N)	2306	1153	577	
	标准行程 (mm) Stroke pitch (mm)	100~1800mm/50 间隔 50 mm Pitch			
部品 Parts	滚珠螺杆外径 (mm) Ball screw \varnothing (mm)	$\varnothing 25$			
	基座材质 Material of base	硬质挤压铝材A1 Hard extruded aluminum A1			
	安装面精度要求 (mm) Accuracy requirements of installation surface (mm)	C级 < 0.05; P级 < 0.02 C level < 0.05 P level < 0.02			
	使用环境 Operating environment	0~40°C, 85%RH (无凝结) No condensation			

注1: 使用非上述功率电机时请依据实际参数推算。
Note 1: When using a motor with a power other than the above, please calculate according to the actual parameters.

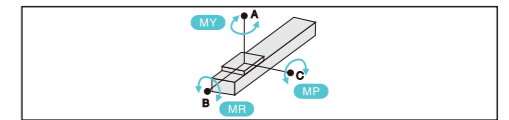
注2: 最高速度因行程和负载而异, 当螺杆细长比大于1:50时, 可能会因螺杆临界速度产生共振和抖动, 应适当下调运行速度, 一般螺杆每增长100mm, 速度应下调10~15%。
Note 2: The maximum speed varies with stroke and load. When the screw slenderness ratio is greater than 1:50, resonance and jitter may occur due to the critical speed of the screw, so the running speed should be reduced appropriately. Generally, the speed should be reduced by 10~15% for every 100mm increase of the screw.

容许负载力矩表 N.m Allowable overhang



水平安装 Horizontal installation				侧面安装 Side mounting				垂直安装 Vertical installation			
导程 Lead	重量 Weight	A	B	导程 Lead	重量 Weight	A	B	导程 Lead	重量 Weight	A	C
5	70kg	3235	349	408	75kg	377	322	2988	20kg	1368	1368
	90kg	2482	263	306	95kg	288	246	2333	30kg	911	911
	120kg	1861	187	218	120kg	218	187	1850	50kg	546	546
10	65kg	1911	338	373	60kg	408	368	2092	15kg	1618	1618
	85kg	1445	248	276	80kg	296	266	1554	25kg	970	970
	120kg	1000	164	182	120kg	182	164	1002	40kg	607	607
25	35kg	1666	547	538	30kg	633	644	1961	10kg	1922	1922
	55kg	1030	331	328	50kg	365	369	1143	14kg	1377	1377
	83kg	654	206	204	83kg	204	206	656	25kg	769	769

静态容许负载惯量 Static loading moment



惯量点	惯量值 (N.m)
MY	1032
MP	1034
MR	908

*力矩表所表示的数据, 代表重心。
The torque value in the chart indicate the center of gravity.

*符合型录规范的正常试用下, 保证寿命为10000公里。
Operation life is 10,000km when the product is using under the specified conditions.

*倒吊使用无法套用标准规范, 如有需求请咨询我司业务。
The standard specification cannot be applied to the use of inverted crane. Please consult our business if necessary.

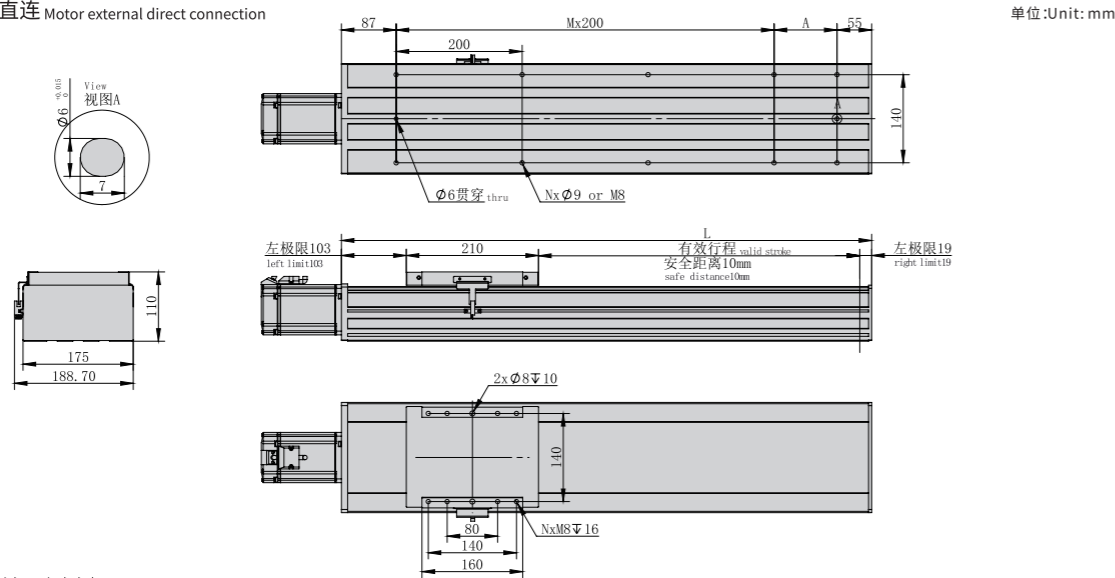
搭配伺服马达一览表 Suitable motor brand

品牌 Brand	马达记号 Mark	刹车有无 Brake	马达容量 Motor capacity	电源电压 AC-Voltage	伺服马达型号 Servo motor model	驱动器型号 Driver Model
三菱 Mitsubishi	M	无刹车(水平式样) No brake (horizontal type)	750	220	HG-KN73J-S100	MR-JE-70A
松下 Panasonic	P	无刹车(水平式样) No brake (horizontal type)	750	220	MHMF082L1U2M	MCDLN35SE
台达 Delta	T	无刹车(水平式样) No brake (horizontal type)	750	220	ECM-B3M-C20807SS1	ASD-B3-0721-L



电机外置直连/电机外置下方
Motor external direct connection/Motor external under below

M 电机外置直连 Motor external direct connection



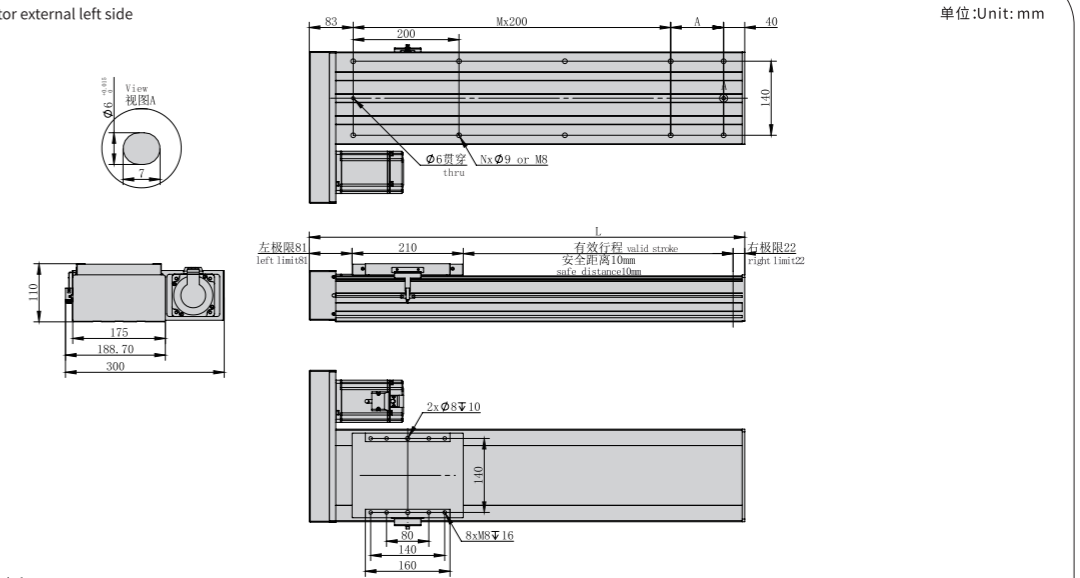
*不含电机重量。*Motor weight not included.

有效行程 Stroke	100	150	200	250	300	350	400	450	500	550	600	650	700	750	800	850	900	950	1000	1050	1100	1150	1200	1250	1300	1350	1400	1450	1500	1550	1600	1650	1700	1750	1800
L	442	492	542	592	642	692	742	792	842	892	942	992	1042	1092	1142	1192	1242	1292	1342	1392	1442	1492	1542	1592	1642	1692	1742	1792	1842	1892	1942	1992	2042	2092	2142
A	100	150	200	50	100	150	200	50	100	150	200	50	100	150	200	50	100	150	200	50	100	150	200	50	100	150	200	50	100	150	200	50	100	150	200
N	6	6	6	8	8	8	8	10	10	10	10	12	12	12	12	14	14	14	14	16	16	16	16	18	18	18	18	20	20	20	20	22	22	22	22
M	2	2	2	3	3	3	3	4	4	4	4	5	5	5	5	6	6	6	6	7	7	7	7	8	8	8	8	9	9	9	9	10	10	10	10
KG	12.5	13.5	14.5	15.5	16.5	17.5	18.5	19.5	20.5	21.5	22.5	23.5	24.5	25.5	26.5	27.5	28.5	29.5	30.5	31.5	32.5	33.5	34.5	35.5	36.5	37.5	38.5	39.5	40.5	41.5	42.5	43.5	44.5	45.5	46.5

如有超长行程及定制需求, 请咨询我司业务。If you have extra long trip and custom requirements, please consult our business.

电机外置左侧/电机外置右侧
Motor external left side / Motor external right side

ML 电机外置左侧 Motor external left side

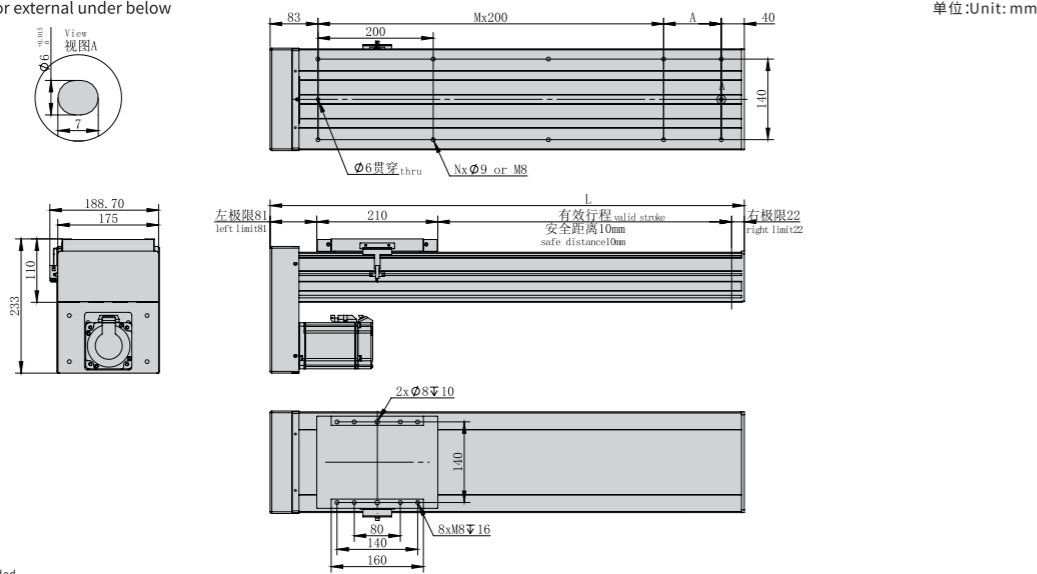


*不含电机重量。*Motor weight not included.

有效行程 Stroke	100	150	200	250	300	350	400	450	500	550	600	650	700	750	800	850	900	950	1000	1050	1100	1150	1200	1250	1300	1350	1400	1450	1500	1550	1600	1650	1700	1750	1800
L	423	473	523	573	623	673	723	773	823	873	923	973	1023	1073	1123	1173	1223	1273	1323	1373	1423	1473	1523	1573	1623	1673	1723	1773	1823	1873	1923	1973	2023	2073	2123
A	100	150	200	50	100	150	200	50	100	150	200	50	100	150	200	50	100	150	200	50	100	150	200	50	100	150	200	50	100	150	200	50	100	150	200
N	6	6	6	8	8	8	8	10	10	10	10	12	12	12	12	14	14	14	14	16	16	16	16	18	18	18	18	20	20	20	20	22	22	22	22
M	2	2	2	3	3	3	3	4	4	4	4	5	5	5	5	6	6	6	6	7	7	7	7	8	8	8	8	9	9	9	9	10	10	10	10
KG	12	13	14	15	16	17	18	19	20	21	22	23	24	25	26	27	28	29	30	31	32	33	34	35	36	37	38	39	40	41	42	43	44	45	46

如有超长行程及定制需求, 请咨询我司业务。If you have extra long trip and custom requirements, please consult our business.

MP 电机外置下方 Motor external under below

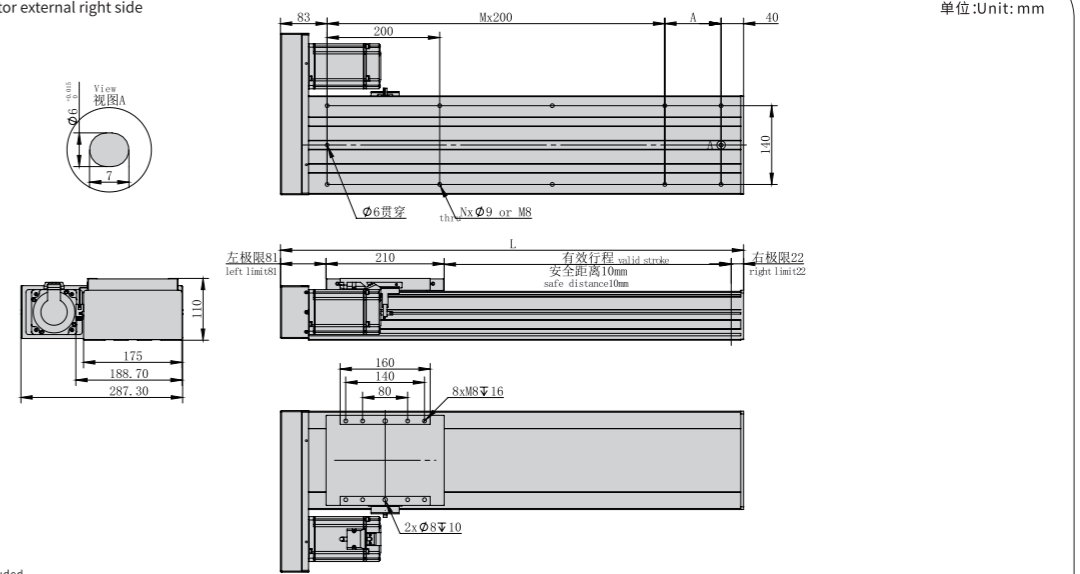


*不含电机重量。*Motor weight not included.

有效行程 Stroke	100	150	200	250	300	350	400	450	500	550	600	650	700	750	800	850	900	950	1000	1050	1100	1150	1200	1250	1300	1350	1400	1450	1500	1550	1600	1650	1700	1750	1800
L	423	473	523	573	623	673	723	773	823	873	923	973	1023	1073	1123	1173	1223	1273	1323	1373	1423	1473	1523	1573	1623	1673	1723	1773	1823	1873	1923	1973	2023	2073	2123
A	100	150	200	50	100	150	200	50	100	150	200	50	100	150	200	50	100	150	200	50	100	150	200	50	100	150	200	50	100	150	200	50	100	150	200
N	6	6	6	8	8	8	8	10	10	10	10	12	12	12	12	14	14	14	14	16	16	16	16	18	18	18	18	20	20	20	20	22	22	22	22
M	2	2	2	3	3	3	3	4	4	4	4	5	5	5	5	6	6	6	6	7	7	7	7	8	8	8	8	9	9	9	9	10	10	10	10
KG	12	13	14	15	16	17	18	19	20	21	22	23	24	25	26	27	28	29	30	31	32	33	34	35	36	37	38	39	40	41	42	43	44	45	46

如有超长行程及定制需求, 请咨询我司业务。If you have extra long trip and custom requirements, please consult our business.

MR 电机外置右侧 Motor external right side



*不含电机重量。*Motor weight not included.

有效行程 Stroke	100	150	200	250	300	350	400	450	500	550	600	650	700	750	800	850	900	950	1000	1050	1100	1150	1200	1250	1300	1350	1400	1450	1500	1550	1600	1650	1700	1750	1800
L	423	473	523	573	623	673	723	773	823	873	923	973	1023	1073	1123	1173	1223	1273	1323	1373	1423	1473	1523	1573	1623	1673	1723	1773	1823	1873	1923	1973	2023	2073	2123
A	100	150	200	50	100	150	200	50	100	150	200	50	100	150	200	50	100	150	200	50	100	150	200	50	100	150	200	50	100	150	200	50	100	150	200
N	6	6	6	8	8	8	8	10	10	10	10	12	12	12	12	14	14	14	14	16	16	16	16	18	18	18	18	20	20	20	20	22	22	22	22
M	2	2	2	3	3	3	3	4	4	4	4	5	5	5	5	6	6	6	6	7	7	7	7	8	8	8	8	9	9	9	9	10	10	10	10
KG	12	13	14	15	16	17	18	19	20	21	22	23	24	25	26	27	28	29	30	31	32	33	34	35	36	37	38	39	40	41	42	43	44	45	46

如有超长行程及定制需求, 请咨询我司业务。If you have extra long trip and custom requirements, please consult our business.



重复精度
Repeat Accuracy
±0.02 mm

此图仅供参考, 出货规格详见尺寸图面
This drawing is for reference only, Please refer to the size drawing for shipment specifications.

最大行程
Max stroke 1800mm

最高速度
Max speed 1250mm/s

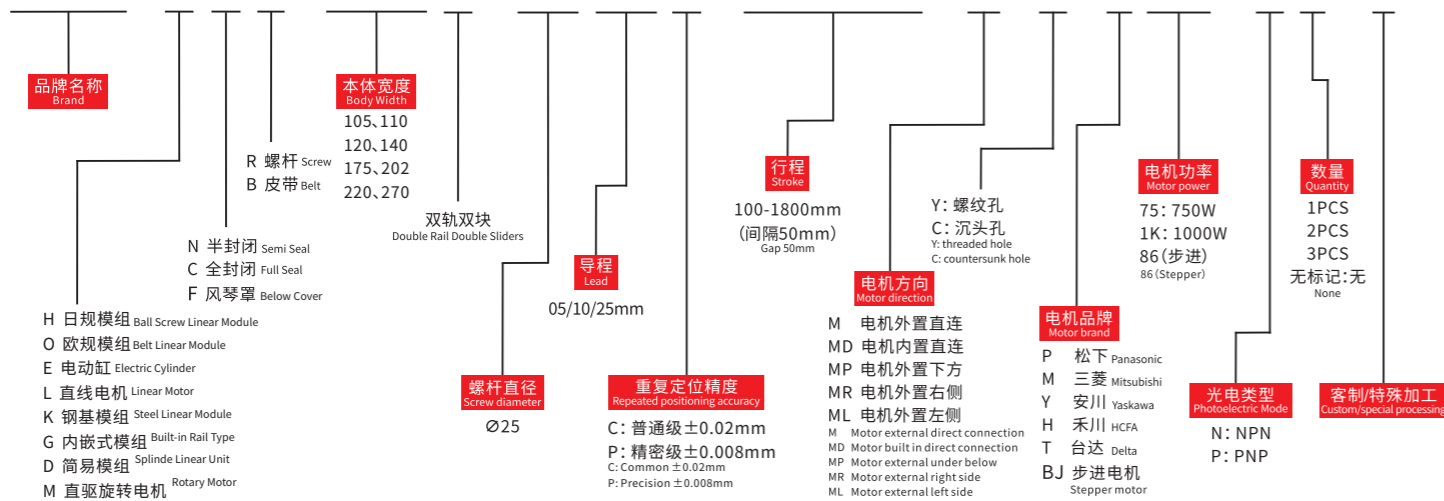
马达容量
Motor output 750W

滚珠螺杆
Ball screw Ø25mm

直线滑轨
Linear guide 25X22-2支

型号表达方式 Ordering method

TPA-HCR-202D-2510C-L1800-M-Y-P75-N3-F



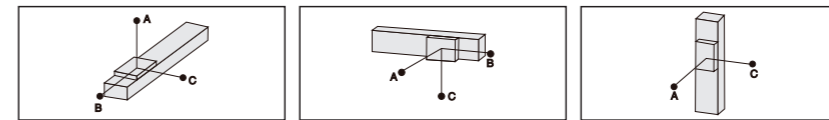
产品性能参数如下 Product performance parameters are as follows

电机功率 (W) Motor power (W)	750		
额定扭矩 (N.M) Rated torque (N.M)	2.4		
重复定位精度 (mm) Repeated positioning accuracy (mm)	±0.02		
导程 (mm) Lead (mm)	5	10	25
最高速度 (mm/s) Maximum speed (mm/s)	250	500	1250
电机额定转速 (RPM) Rated speed of motor (RPM)	3000		
最大可搬重量 Maximum Payload	水平使用 (kg) Horizontal (kg)	160	64
	垂直使用 (kg) Vertical (kg)	58	19
定格推力 (N) Rated thrust (N)	2306	1153	577
标准行程 (mm) Stroke pitch (mm)	100~1800mm/50 间隔 50 mm Pitch		
滚珠螺杆外径 (mm) Ball screw Ø (mm)	Ø25		
基座材质 Material of base	硬质挤压铝材A1 Hard extruded aluminum A1		
安装面精度要求 (mm) Accuracy requirements of installation surface (mm)	C级<0.05; P级<0.02 C level<0.05 P level<0.02		
使用环境 Operating environment	0~40°C, 85%RH(无凝结) No condensation		

注1: 使用非上述功率电机时请依据实际参数推算。
Note 1: When using a motor with a power other than the above, please calculate according to the actual parameters.

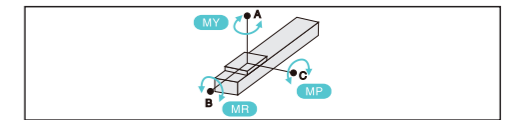
注2: 最高速度因行程和负载而异, 当螺杆细长比大于1:50时, 可能会因螺杆临界速度产生共振和抖动, 应适当下调运行速度, 一般螺杆每增长100mm, 速度应下调10~15%。
Note 2: The maximum speed varies with stroke and load. When the screw slenderness ratio is greater than 1:50, resonance and jitter may occur due to the critical speed of the screw, so the running speed should be reduced appropriately. Generally, the speed should be reduced by 10~15% for every 100mm increase of the screw.

容许负载力矩表 N.m Allowable overhang



水平安装 (单位Unit:mm)				侧面安装 (单位Unit:mm)				垂直安装 (单位Unit:mm)			
导程	A	B	C	导程	A	B	C	导程	A	B	C
5 Lead	40kg	1000	400	580	40kg	380	380	1000	10kg	1200	1200
	80kg	780	230	350	80kg	190	250	740	20kg	710	710
	100kg	680	185	230	100kg	140	190	620	30kg	560	560
10 Lead	40kg	900	350	505	40kg	250	310	860	8kg	1000	1000
	80kg	710	200	300	80kg	130	170	620	18kg	600	600
	100kg	610	160	200	100kg	90	130	500	27kg	400	400
25 Lead	20kg	1100	600	500	20kg	350	350	700	5kg	1100	1100
	40kg	790	370	300	40kg	200	205	470	10kg	800	800
	60kg	670	250	190	60kg	120	130	370	-	-	-

静态容许负载惯量 Static loading moment



	MY	MR	MP
2052			
2052			
1810			

*力矩表所表示的数据, 代表重心。
The torque value in the chart indicate the center of gravity.

*符合型录规范的正常试用下, 保证寿命为10000公里。
Operation life is 10,000km when the product is using under the specified conditions.

*倒吊使用无法套用标准规范, 如有需求请咨询我司业务。
The standard specification cannot be applied to the use of inverted crane. Please consult our business if necessary.

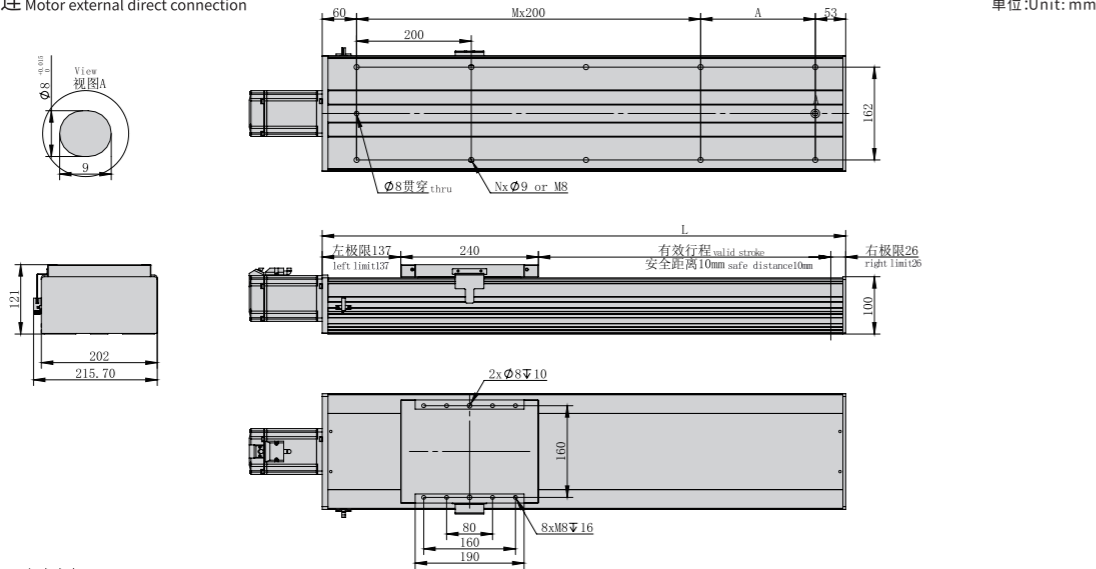
搭配伺服马达一览表 Suitable motor brand

品牌 Brand	马达记号 Mark	刹车有无 Brake	马达容量 Motor capacity	电源电压 AC-Voltage	伺服马达型号 Servo motor model	驱动器型号 Driver Model
三菱 Mitsubishi	M	无刹车(水平式样) No brake (horizontal type)	750	220	HG-KN73J-S100	MR-JE-70A
松下 Panasonic	P	无刹车(水平式样) No brake (horizontal type)	750	220	MHMF082L1U2M	MCDLN35SE
台达 Delta	T	无刹车(水平式样) No brake (horizontal type)	750	220	ECM-B3M-C20807SS1	ASD-B3-0721-L



电机外置直连/电机外置下方
Motor external direct connection/Motor external under below

M 电机外置直连 Motor external direct connection



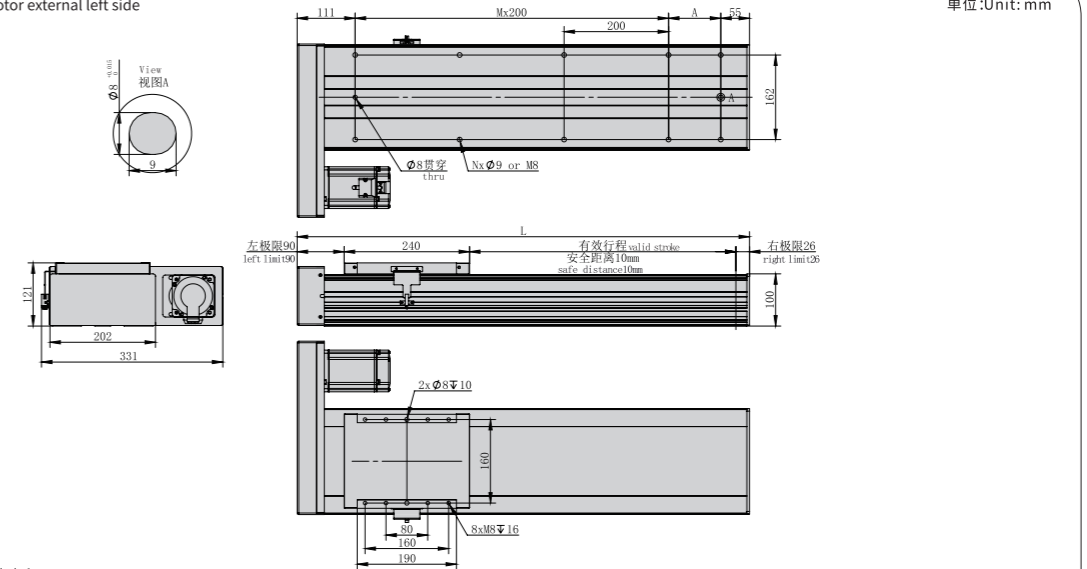
*不含电机重量。*Motor weight not included.

有效行程 Stroke	100	150	200	250	300	350	400	450	500	550	600	650	700	750	800	850	900	950	1000	1050	1100	1150	1200	1250	1300	1350	1400	1450	1500	1550	1600	1650	1700	1750	1800
L	513	563	613	663	713	763	813	863	913	963	1013	1063	1113	1163	1213	1263	1313	1363	1413	1463	1513	1563	1613	1663	1713	1763	1813	1863	1913	1963	2013	2063	2113	2163	2213
A	200	50	100	150	200	50	100	150	200	50	100	150	200	50	100	150	200	50	100	150	200	50	100	150	200	50	100	150	200	50	100	150	200	50	100
N	6	8	8	8	8	10	10	10	10	12	12	12	12	14	14	14	14	16	16	16	16	18	18	18	18	20	20	20	20	22	22	22	22	24	24
M	1	2	2	2	2	3	3	3	3	4	4	4	4	5	5	5	5	6	6	6	6	7	7	7	7	8	8	8	8	9	9	9	9	10	10
KG	23.7	24.9	26.1	27.3	28.5	29.7	30.9	32.1	33.3	34.5	35.7	36.9	38.1	39.3	40.5	41.7	42.9	44.1	45.3	46.5	47.7	48.9	50.1	51.3	52.5	53.7	54.9	56.1	57.3	58.5	59.7	60.9	62.1	63.3	64.5

如有超长行程及定制需求, 请咨询我司业务。 If you have extra long trip and custom requirements, please consult our business.

电机外置左侧/电机外置右侧
Motor external left side / Motor external right side

ML 电机外置左侧 Motor external left side

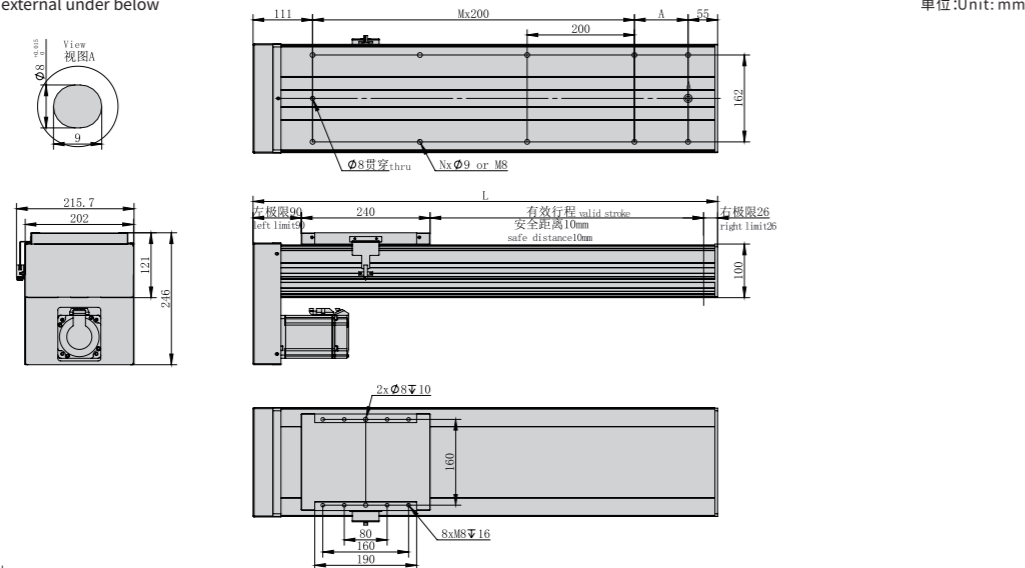


*不含电机重量。*Motor weight not included.

有效行程 Stroke	100	150	200	250	300	350	400	450	500	550	600	650	700	750	800	850	900	950	1000	1050	1100	1150	1200	1250	1300	1350	1400	1450	1500	1550	1600	1650	1700	1750	1800
L	466	516	566	616	666	716	766	816	866	916	966	1016	1066	1116	1166	1216	1266	1316	1366	1416	1466	1516	1566	1616	1666	1716	1766	1816	1866	1916	1966	2016	2066	2116	2166
A	100	150	200	50	100	150	200	50	100	150	200	50	100	150	200	50	100	150	200	50	100	150	200	50	100	150	200	50	100	150	200	50	100	150	200
N	6	6	6	8	8	8	8	10	10	10	10	12	12	12	12	14	14	14	14	16	16	16	16	18	18	18	18	20	20	20	20	22	22	22	22
M	1	1	1	1	2	2	2	3	3	3	3	4	4	4	4	5	5	5	5	6	6	6	6	7	7	7	7	8	8	8	8	9	9	9	9
KG	24.1	25.3	26.5	27.7	28.9	30.1	31.3	32.5	33.7	34.9	36.1	37.3	38.5	39.7	40.9	42.1	43.3	44.5	45.7	46.9	48.1	49.3	50.5	51.7	52.9	54.1	55.3	56.5	57.7	58.9	60.1	61.3	62.5	63.7	64.9

如有超长行程及定制需求, 请咨询我司业务。 If you have extra long trip and custom requirements, please consult our business.

MP 电机外置下方 Motor external under below

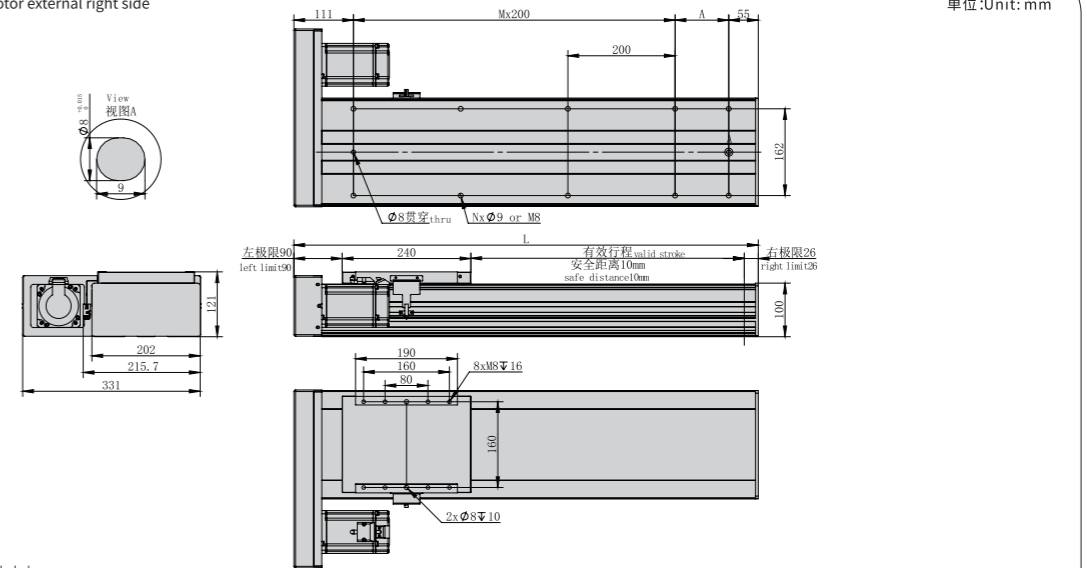


*不含电机重量。*Motor weight not included.

有效行程 Stroke	100	150	200	250	300	350	400	450	500	550	600	650	700	750	800	850	900	950	1000	1050	1100	1150	1200	1250	1300	1350	1400	1450	1500	1550	1600	1650	1700	1750	1800
L	466	516	566	616	666	716	766	816	866	916	966	1016	1066	1116	1166	1216	1266	1316	1366	1416	1466	1516	1566	1616	1666	1716	1766	1816	1866	1916	1966	2016	2066	2116	2166
A	100	150	200	50	100	150	200	50	100	150	200	50	100	150	200	50	100	150	200	50	100	150	200	50	100	150	200	50	100	150	200	50	100	150	200
N	6	6	6	8	8	8	8	10	10	10	10	12	12	12	12	14	14	14	14	16	16	16	16	18	18	18	18	20	20	20	20	22	22	22	22
M	1	1	1	1	2	2	2	3	3	3	3	4	4	4	4	5	5	5	5	6	6	6	6	7	7	7	7	8	8	8	8	9	9	9	9
KG	24.1	25.3	26.5	27.7	28.9	30.1	31.3	32.5	33.7	34.9	36.1	37.3	38.5	39.7	40.9	42.1	43.3	44.5	45.7	46.9	48.1	49.3	50.5	51.7	52.9	54.1	55.3	56.5	57.7	58.9	60.1	61.3	62.5	63.7	64.9

如有超长行程及定制需求, 请咨询我司业务。 If you have extra long trip and custom requirements, please consult our business.

MR 电机外置右侧 Motor external right side



*不含电机重量。*Motor weight not included.

有效行程 Stroke	100	150	200	250	300	350	400	450	500	550	600	650	700	750	800	850	900	950	1000	1050	1100	1150	1200	1250	1300	1350	1400	1450	1500	1550	1600	1650	1700	1750	1800
L	466	516	566	616	666	716	766	816	866	916	966	1016	1066	1116	1166	1216	1266	1316	1366	1416	1466	1516	1566	1616	1666	1716	1766	1816	1866	1916	1966	2016	2066	2116	2166
A	100	150	200	50	100	150	200	50	100	150	200	50	100	150	200	50	100	150	200	50	100	150	200	50	100	150	200	50	100	150	200	50	100	150	200
N	6	6	6	8	8	8	8	10	10	10	10	12	12	12	12	14	14	14	14	16	16	16	16	18	18	18	18	20	20	20	20	22	22	22	22
M	1	1	1	1	2	2	2	3	3	3	3	4	4	4	4	5	5	5	5	6	6	6	6	7	7	7	7	8	8	8	8	9	9	9	9
KG	24.1	25.3	26.5	27.7	28.9	30.1	31.3	32.5	33.7	34.9	36.1	37.3	38.5	39.7	40.9	42.1	43.3	44.5	45.7	46.9	48.1	49.3	50.5	51.7	52.9	54.1	55.3	56.5	57.7	58.9	60.1	61.3	62.5	63.7	64.9

如有超长行程及定制需求, 请咨询我司业务。 If you have extra long trip and custom requirements, please consult our business.



重复精度
Repeat Accuracy
±0.02
mm

此图仅供参考, 出货规格详见尺寸图面
This drawing is for reference only, Please refer to the size drawing for shipment specifications.

最大行程
Max stroke 2400mm

最高速度
Max speed 1600mm/s

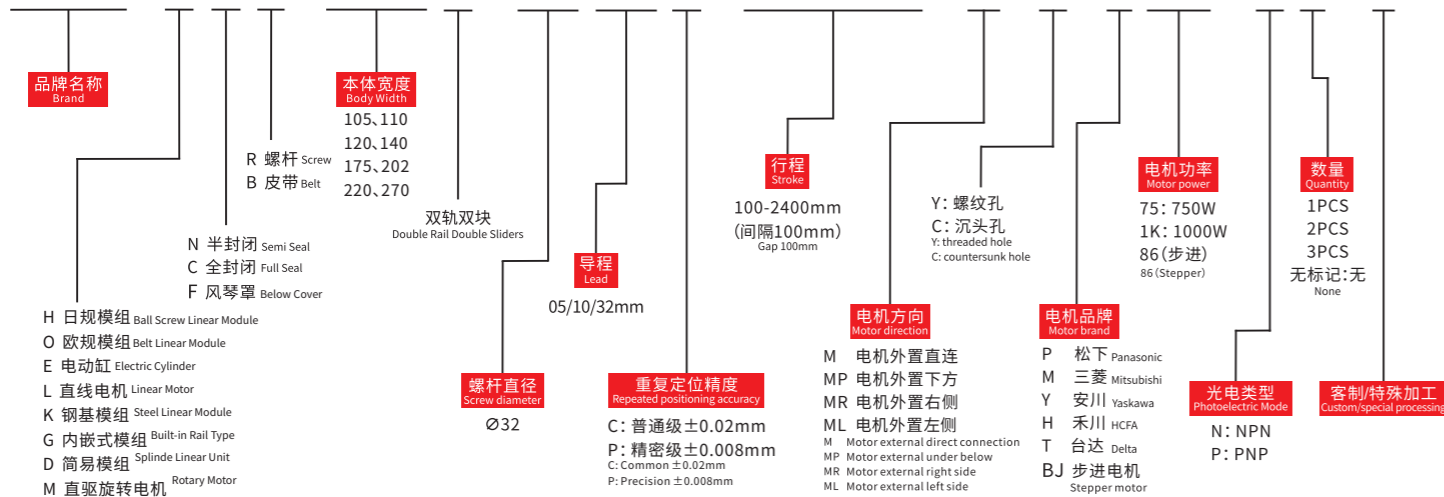
马达容量
Motor output 1000W

滚珠螺杆
Ball screw Ø32mm

直线滑轨
Linear guide 25X22-2支

型号表达方式 Ordering method

TPA-HCR-220D-3210C-L2400-M-Y-P1K-N3-F



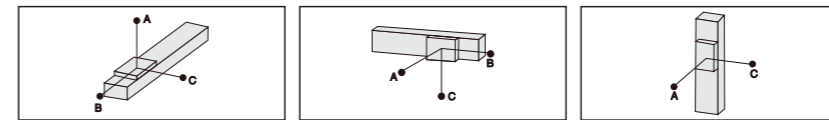
产品性能参数如下 Product performance parameters are as follows

电机功率 (W) Motor power (W)	1000				
额定扭矩 (N.M) Rated torque (N.M)	3.2				
重复定位精度 (mm) Repeated positioning accuracy (mm)	±0.02				
导程 (mm) Lead (mm)	5	10	20	32	
最高速度 (mm/s) Maximum speed (mm/s)	250	500	1000	1600	
电机额定转速 (RPM) Rated speed of motor (RPM)	3000				
最大可搬重量 Maximum Payload	水平使用 (kg) Horizontal (kg)	180	170	105	66
	垂直使用 (kg) Vertical (kg)	100	80	40	25
定格推力 (N) Rated thrust (N)	2306	1153	577	461	
标准行程 (mm) Stroke pitch (mm)	100~2400mm/100 间隔100 mm Pitch				
滚珠螺杆外径 (mm) Ball screw Ø (mm)	Ø32				
基座材质 Material of base	硬质挤压铝材A1 Hard extruded aluminum A1				
安装面精度要求 (mm) Accuracy requirements of installation surface (mm)	C级<0.05; P级<0.02 C level<0.05 P level<0.02				
使用环境 Operating environment	0~40°C, 85%RH (无凝结) No condensation				

注1: 使用非上述功率电机时请依据实际参数推算。
Note 1: When using a motor with a power other than the above, please calculate according to the actual parameters.

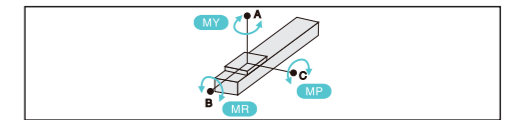
注2: 最高速度因行程和负载而异, 当螺杆细长比大于1:50时, 可能会因螺杆临界速度产生共振和抖动, 应适当下调运行速度, 一般螺杆每增长100mm, 速度应下调10~15%。
Note 2: The maximum speed varies with stroke and load. When the screw slenderness ratio is greater than 1:50, resonance and jitter may occur due to the critical speed of the screw, so the running speed should be reduced appropriately. Generally, the speed should be reduced by 10~15% for every 100mm increase of the screw.

容许负载力矩表 N.m Allowable overhang



水平安装 Horizontal installation				侧面安装 Side mounting				垂直安装 Vertical installation			
导程 Lead	重量 Weight	A	B	导程 Lead	重量 Weight	A	B	导程 Lead	重量 Weight	A	C
5	100kg	5000	633	557	110kg	500	569	4500	30kg	2355	2355
	125kg	3880	491	431	130kg	412	469	3711	40kg	1768	1768
	150kg	3357	396	347	150kg	347	396	3357	55kg	1288	1288
10	100kg	3220	563	474	110kg	427	503	2900	25kg	2505	2505
	125kg	3554	434	367	130kg	351	414	2444	35kg	1795	1795
	150kg	2113	349	295	150kg	295	349	2113	45kg	1396	1396
20	65kg	1522	614	458	70kg	420	564	1404	15kg	2711	2711
	85kg	1136	451	336	90kg	315	420	1066	20kg	2033	2033
	105kg	893	350	262	105kg	262	350	893	-	-	-
32	18kg	2445	1616	1052	15kg	1272	1955	2948	7kg	3511	3511
	30kg	1436	938	613	24kg	778	1190	1813	12kg	2055	2055
	43kg	978	630	412	43kg	412	630	978	-	-	-

静态容许负载惯量 Static loading moment



惯量 Moment of Inertia	容许负载惯量 Allowable loading moment
MY	2052
MP	2052
MR	1810

*力矩表所表示的数据, 代表重心。
The torque value in the chart indicate the center of gravity.

*符合型录规范的正常试用下, 保证寿命为10000公里。
Operation life is 10,000km when the product is using under the specified conditions.

*倒吊使用无法套用标准规范, 如有需求请咨询我司业务。
The standard specification cannot be applied to the use of inverted crane. Please consult our business if necessary.

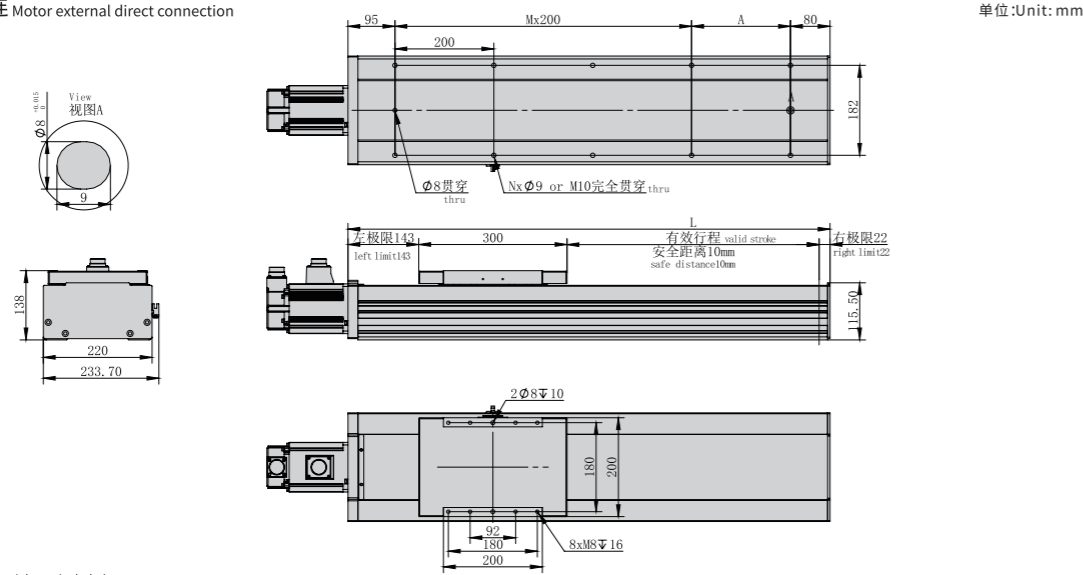
搭配伺服马达一览表 Suitable motor brand

品牌 Brand	马达记号 Mark	刹车有无 Brake	马达容量 Motor capacity	电源电压 AC-Voltage	伺服马达型号 Servo motor model	驱动器型号 Driver Model
三菱 Mitsubishi	M	无刹车(水平式样) No brake (horizontal type)	750	220	HG-KN73J-S100	MR-JE-70A
松下 Panasonic	P	无刹车(水平式样) No brake (horizontal type)	750	220	MHMF082L1U2M	MCDLN35SE
台达 Delta	T	无刹车(水平式样) No brake (horizontal type)	750	220	ECM-B3M-C20807SS1	ASD-B3-0721-L



电机外置直连/电机外置下方
Motor external direct connection/Motor external under below

M 电机外置直连 Motor external direct connection



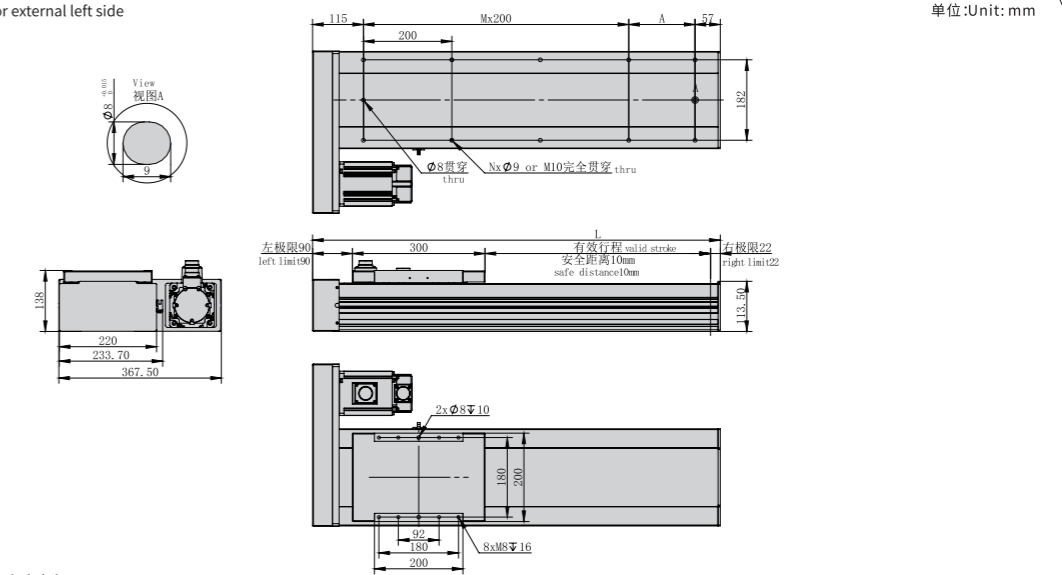
*不含电机重量。*Motor weight not included.

有效行程 Stroke	100	200	300	400	500	600	700	800	900	1000	1100	1200	1300	1400	1500	1600	1700	1800	1900	2000	2100	2200	2300	2400
L	575	675	775	875	975	1075	1175	1275	1375	1475	1575	1675	1775	1875	1975	2075	2175	2275	2375	2475	2575	2675	2775	2875
A	200	100	200	100	200	100	200	100	200	100	200	100	200	100	200	100	200	100	200	100	200	100	200	100
N	6	8	8	10	10	12	12	14	14	16	16	18	18	20	20	22	22	24	24	26	26	28	28	30
M	2	3	3	4	4	5	5	6	6	7	7	8	8	9	9	10	10	11	11	12	12	13	13	14
KG	24.4	27.4	30.4	33.4	36.4	39.4	42.4	45.4	48.4	51.4	54.4	57.4	60.4	63.4	66.4	69.4	72.4	75.4	78.4	81.4	84.4	87.4	90.4	93.4

如有超长行程及定制需求, 请咨询我司业务。If you have extra long trip and custom requirements, please consult our business.

电机外置左侧/电机外置右侧
Motor external left side / Motor external right side

ML 电机外置左侧 Motor external left side

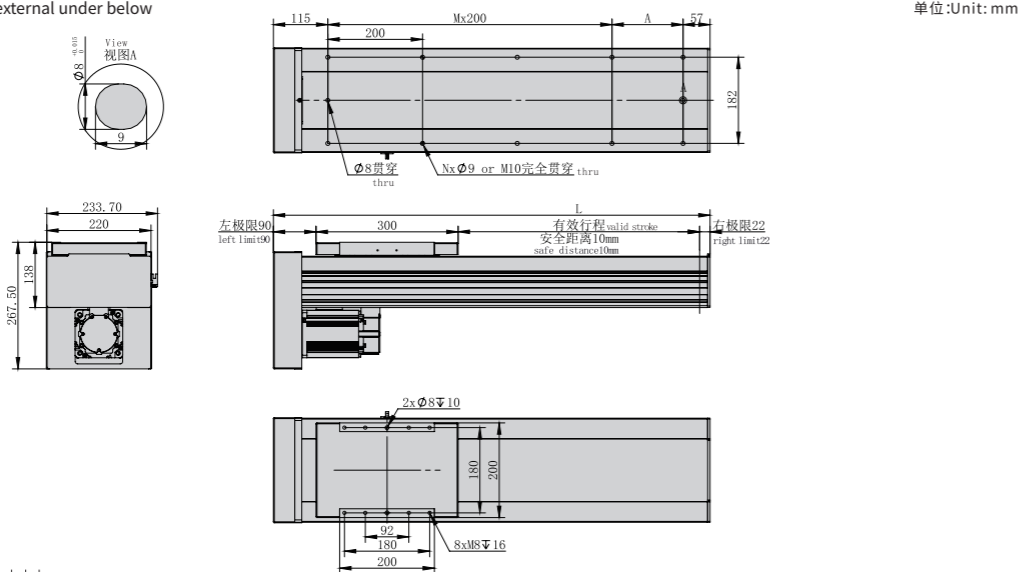


*不含电机重量。*Motor weight not included.

有效行程 Stroke	100	200	300	400	500	600	700	800	900	1000	1100	1200	1300	1400	1500	1600	1700	1800	1900	2000	2100	2200	2300	2400
L	522	622	722	822	922	1022	1122	1222	1322	1422	1522	1622	1722	1822	1922	2022	2122	2222	2322	2422	2522	2622	2722	2822
A	150	50	150	50	150	50	150	50	150	50	150	50	150	50	150	50	150	50	150	50	150	50	150	50
N	6	8	8	10	10	12	12	14	14	16	16	18	18	20	20	22	22	24	24	26	26	28	28	30
M	2	3	3	4	4	5	5	6	6	7	7	8	8	9	9	10	10	11	11	12	12	13	13	14
KG	26.1	29.1	32.1	35.1	38.1	41.1	44.1	47.1	50.1	53.1	56.1	59.1	62.1	65.1	68.1	71.1	74.1	77.1	80.1	83.1	86.1	89.1	92.1	95.1

如有超长行程及定制需求, 请咨询我司业务。If you have extra long trip and custom requirements, please consult our business.

MP 电机外置下方 Motor external under below

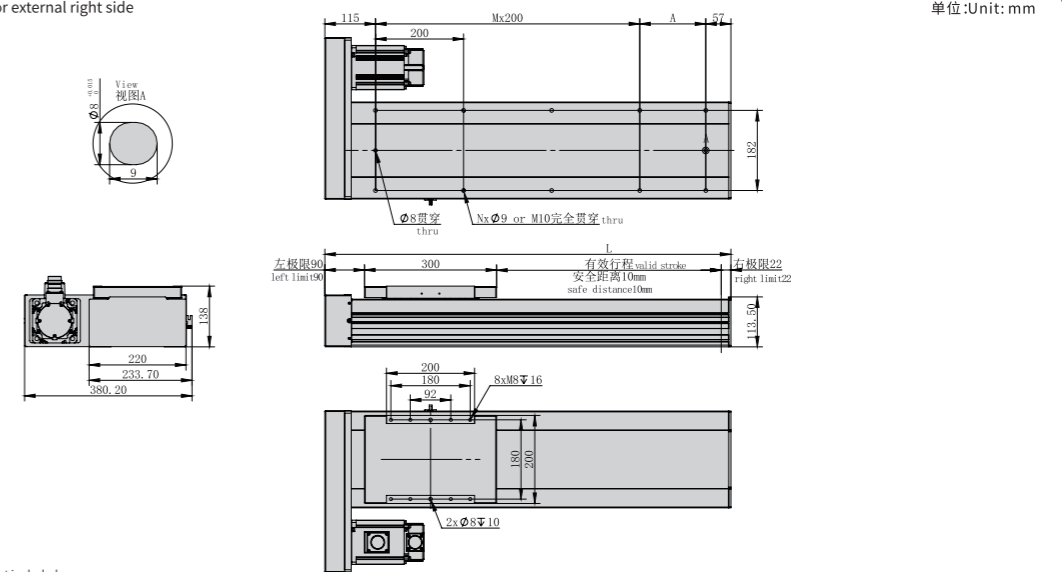


*不含电机重量。*Motor weight not included.

有效行程 Stroke	100	200	300	400	500	600	700	800	900	1000	1100	1200	1300	1400	1500	1600	1700	1800	1900	2000	2100	2200	2300	2400
L	522	622	722	822	922	1022	1122	1222	1322	1422	1522	1622	1722	1822	1922	2022	2122	2222	2322	2422	2522	2622	2722	2822
A	150	50	150	50	150	50	150	50	150	50	150	50	150	50	150	50	150	50	150	50	150	50	150	50
N	6	8	8	10	10	12	12	14	14	16	16	18	18	20	20	22	22	24	24	26	26	28	28	30
M	2	3	3	4	4	5	5	6	6	7	7	8	8	9	9	10	10	11	11	12	12	13	13	14
KG	26.1	29.1	32.1	35.1	38.1	41.1	44.1	47.1	50.1	53.1	56.1	59.1	62.1	65.1	68.1	71.1	74.1	77.1	80.1	83.1	86.1	89.1	92.1	95.1

如有超长行程及定制需求, 请咨询我司业务。If you have extra long trip and custom requirements, please consult our business.

MR 电机外置右侧 Motor external right side



*不含电机重量。*Motor weight not included.

有效行程 Stroke	100	200	300	400	500	600	700	800	900	1000	1100	1200	1300	1400	1500	1600	1700	1800	1900	2000	2100	2200	2300	2400
L	522	622	722	822	922	1022	1122	1222	1322	1422	1522	1622	1722	1822	1922	2022	2122	2222	2322	2422	2522	2622	2722	2822
A	150	50	150	50	150	50	150	50	150	50	150	50	150	50	150	50	150	50	150	50	150	50	150	50
N	6	8	8	10	10	12	12	14	14	16	16	18	18	20	20	22	22	24	24	26	26	28	28	30
M	2	3	3	4	4	5	5	6	6	7	7	8	8	9	9	10	10	11	11	12	12	13	13	14
KG	26.1	29.1	32.1	35.1	38.1	41.1	44.1	47.1	50.1	53.1	56.1	59.1	62.1	65.1	68.1	71.1	74.1	77.1	80.1	83.1	86.1	89.1	92.1	95.1

如有超长行程及定制需求, 请咨询我司业务。If you have extra long trip and custom requirements, please consult our business.



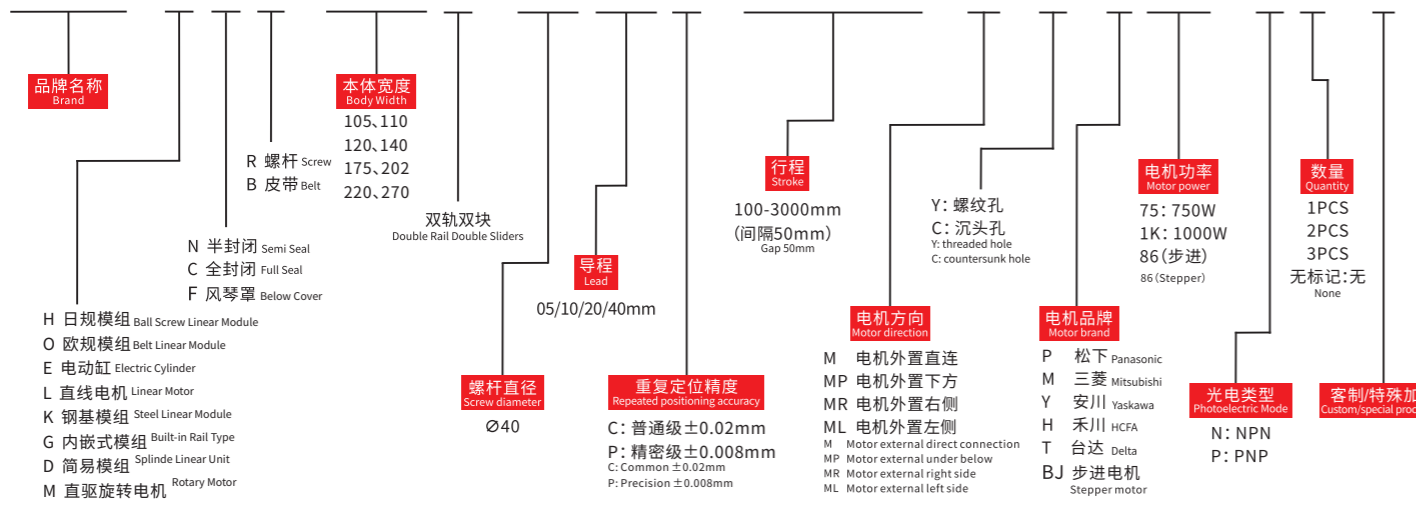
重复精度
Repeat Accuracy
±0.02 mm

此图仅供参考, 出货规格详见尺寸图面
This drawing is for reference only, Please refer to the size drawing for shipment specifications.

最大行程 Max stroke	3000mm	最高速度 Max speed	2000mm/s	马达容量 Motor output	1000W	滚珠螺杆 Ball screw	Ø40mm	直线滑轨 Linear guide	25X22-2支
--------------------	--------	-------------------	----------	----------------------	-------	--------------------	-------	----------------------	----------

型号表达方式 Ordering method

TPA-HCR-270D-4010C-L3000-M-Y-P1K-N3-F

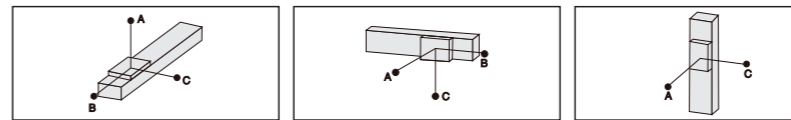


产品性能参数如下 Product performance parameters are as follows

电机功率 (W) Motor power (W)	1000				
额定扭矩 (N.M) Rated torque (N.M)	3.2				
重复定位精度 (mm) Repeated positioning accuracy (mm)	±0.02				
导程 (mm) Lead (mm)	5	10	20	40	
最高速度 (mm/s) Maximum speed (mm/s)	250	500	1000	2000	
电机额定转速 (RPM) Rated speed of motor (RPM)	3000				
最大可搬重量 Maximum Payload	水平使用 (kg) Horizontal (kg)	230	200	125	78
	垂直使用 (kg) Vertical (kg)	115	95	48	30
定格推力 (N) Rated thrust (N)	3195	1598	499	1598	
标准行程 (mm) Stroke pitch (mm)	100~3000mm/50mm间隔 50mm Pitch				
滚珠螺杆外径 (mm) Ball screw Ø (mm)	Ø40				
基座材质 Material of base	硬质挤压铝材A1 Hard extruded aluminum A1				
安装面精度要求 (mm) Accuracy requirements of installation surface (mm)	C级<0.05; P级<0.02 C level<0.05 P level<0.02				
使用环境 Operating environment	0~40°C, 85%RH(无凝结) No condensation				

注1: 使用非上述功率电机时请依据实际参数推算。
Note 1: When using a motor with a power other than the above, please calculate according to the actual parameters.
 注2: 最高速度因行程和负载而异, 当螺杆细长比大于1:50时, 可能会因螺杆临界速度产生共振和抖动, 应适当下调运行速度, 一般螺杆每增长100mm, 速度应下调10~15%。
Note 2: The maximum speed varies with stroke and load. When the screw slenderness ratio is greater than 1:50, resonance and jitter may occur due to the critical speed of the screw, so the running speed should be reduced appropriately. Generally, the speed should be reduced by 10~15% for every 100mm increase of the screw.

容许负载力矩表 N.m Allowable overhang

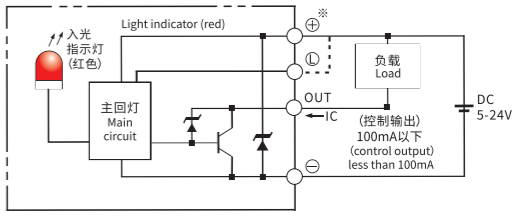


水平安装 (单位Unit:mm) Horizontal installation				侧面安装 (单位Unit:mm) Side mounting				垂直安装 (单位Unit:mm) Vertical installation			
导程 Lead	A	B	C	导程 Lead	A	B	C	导程 Lead	A	B	C
5	150kg	1367	542	408	150kg	1368	541	410	64kg	980	980
	180kg	1079	293	227	180kg	1080	293	229	80kg	670	670
	200kg	906	102	82	200kg	906	101	84	115kg	222	222
10	130kg	1496	772	605	130kg	1495	770	605	56kg	1811	1811
	150kg	1237	513	403	150kg	1236	513	403	70kg	1153	1153
	180kg	1020	248	190	180kg	1021	245	190	84kg	714	714
20	90kg	1450	920	768	90kg	1451	922	766	35kg	1270	1270
	100kg	1217	573	453	100kg	1215	573	456	40kg	877	877
	125kg	937	395	308	125kg	937	395	307	48kg	754	754
40	45kg	1010	602	482	45kg	1009	605	484	20kg	1170	1175
	60kg	835	395	223	60kg	836	395	225	25kg	890	891
	78kg	524	243	192	78kg	527	246	191	30kg	531	533

搭配伺服马达一览表 Suitable motor brand

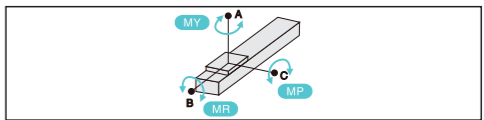
品牌 Brand	马达记号 Mark	刹车有无 Brake	马达容量 Motor capacity	电源电压 AC-Voltage	伺服马达型号 Servo motor model	驱动器型号 Driver Model
三菱 Mitsubishi	M	无刹车(水平式样) No brake (horizontal type)	750	220	HG-KN73J-S100	MR-JE-70A
松下 Panasonic	P	无刹车(水平式样) No brake (horizontal type)	750	220	MHMF082L1U2M	MCDLN35SE
台达 Delta	T	无刹车(水平式样) No brake (horizontal type)	750	220	ECM-B3M-C20807SS1	ASD-B3-0721-L

感应器连接图<原点及端点> Sensor layout



HNR-E
HNB-E
HFR
HNR
HCR
HNB
HCB
HNT
XYZ
参考资料 Reference data

静态容许负载惯量 Static loading moment



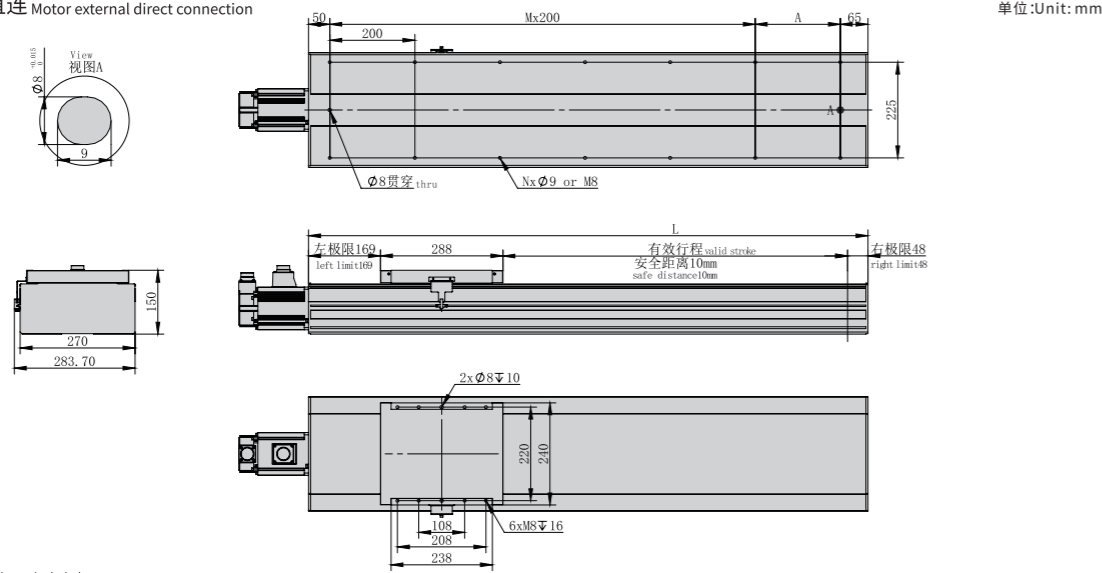
	(单位Unit:N.m)
MY	3223
MP	3223
MR	2843

*力矩表所表示的数据, 代表重心。
The torque value in the chart indicate the center of gravity.
 *符合型录规范的正常试用下, 保证寿命为10000公里。
Operation life is 10,000km when the product is using under the specified conditions.
 *倒吊使用无法套用标准规范, 如有需求请咨询我司业务。
The standard specification cannot be applied to the use of inverted crane. Please consult our business if necessary.



电机外置直连/电机外置下方
Motor external direct connection/Motor external under below

M 电机外置直连 Motor external direct connection



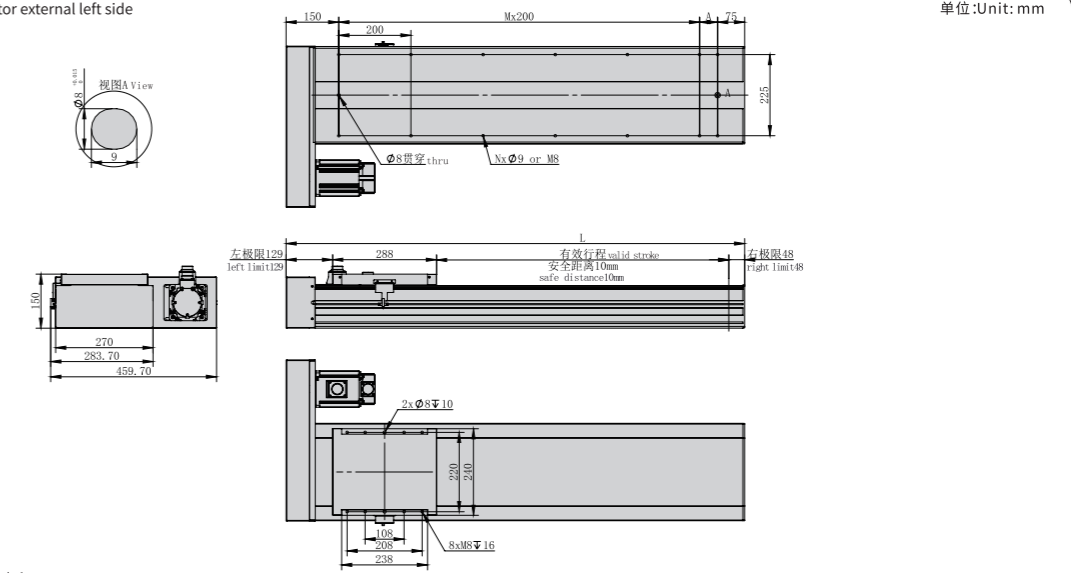
*不含电机重量。*Motor weight not included.

有效行程 Stroke	100	200	300	400	500	600	700	800	900	1000	1100	1200	1300	1400	1500	1600	1700	1800	1900	2000	2100	2200	2300	2400	2500	2600	2700	2800	2900	3000
L	615	715	815	915	1015	1115	1215	1315	1415	1515	1615	1715	1815	1915	2015	2115	2215	2315	2415	2515	2615	2715	2815	2915	3015	3115	3215	3315	3415	3515
A	100	200	100	200	100	200	100	200	100	200	100	200	100	200	100	200	100	200	100	200	100	200	100	200	100	200	100	200	100	200
N	8	8	10	10	12	12	14	14	16	16	18	18	20	20	22	22	24	24	26	26	28	28	30	30	32	32	34	34	36	36
M	2	2	3	3	4	4	5	5	6	6	7	7	8	8	9	9	10	10	11	11	12	12	13	13	14	14	15	15	16	16
KG	40	43.4	46.8	50.2	53.6	57	60.4	63.8	67.2	70.6	74	77.4	80.8	84.2	87.6	91	94.4	97.8	101.2	104.6	108	111.4	114.8	118.2	121.6	125	128.4	131.8	135.2	138.6

如有超长行程及定制需求, 请咨询我司业务。If you have extra long trip and custom requirements, please consult our business.

电机外置左侧/电机外置右侧
Motor external left side / Motor external right side

ML 电机外置左侧 Motor external left side

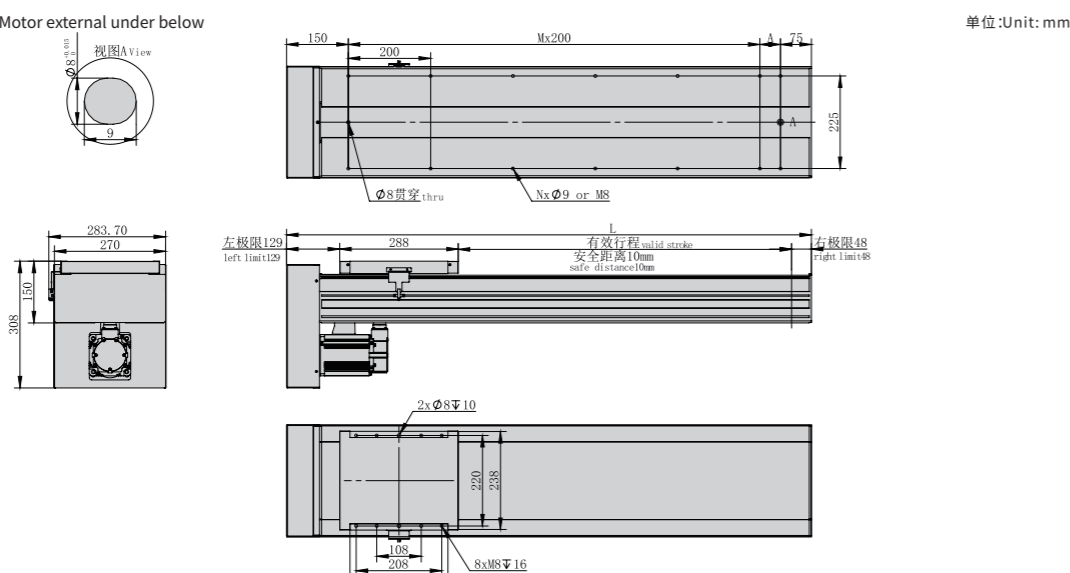


*不含电机重量。*Motor weight not included.

有效行程 Stroke	100	200	300	400	500	600	700	800	900	1000	1100	1200	1300	1400	1500	1600	1700	1800	1900	2000	2100	2200	2300	2400	2500	2600	2700	2800	2900	3000
L	575	675	775	875	975	1075	1175	1275	1375	1475	1575	1675	1775	1875	1975	2075	2175	2275	2375	2475	2575	2675	2775	2875	2975	3075	3175	3275	3375	3475
A	150	50	150	50	150	50	150	50	150	50	150	50	150	50	150	50	150	50	150	50	150	50	150	50	150	50	150	50	150	50
N	6	8	8	10	10	12	12	14	14	16	16	18	18	20	20	22	22	24	24	26	26	28	28	30	30	32	32	34	34	36
M	1	2	2	3	3	4	4	5	5	6	6	7	7	8	8	9	9	10	10	11	11	12	12	13	13	14	14	15	15	16
KG	38	41.4	44.8	48.2	51.6	55	58.4	61.8	65.2	68.6	72	75.4	78.8	82.2	85.6	89	92.4	95.8	99.2	102.6	106	109.4	112.8	116.2	119.6	123	126.4	129.8	133.2	136.6

如有超长行程及定制需求, 请咨询我司业务。If you have extra long trip and custom requirements, please consult our business.

MP 电机外置下方 Motor external under below

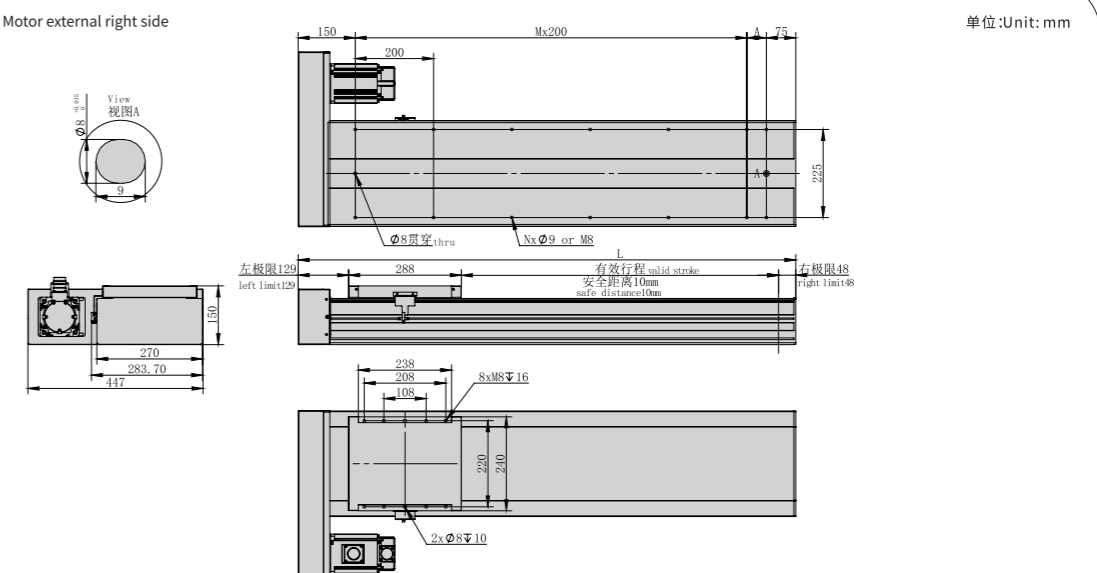


*不含电机重量。*Motor weight not included.

有效行程 Stroke	100	200	300	400	500	600	700	800	900	1000	1100	1200	1300	1400	1500	1600	1700	1800	1900	2000	2100	2200	2300	2400	2500	2600	2700	2800	2900	3000
L	575	675	775	875	975	1075	1175	1275	1375	1475	1575	1675	1775	1875	1975	2075	2175	2275	2375	2475	2575	2675	2775	2875	2975	3075	3175	3275	3375	3475
A	150	50	150	50	150	50	150	50	150	50	150	50	150	50	150	50	150	50	150	50	150	50	150	50	150	50	150	50	150	50
N	6	8	8	10	10	12	12	14	14	16	16	18	18	20	20	22	22	24	24	26	26	28	28	30	30	32	32	34	34	36
M	1	2	2	3	3	4	4	5	5	6	6	7	7	8	8	9	9	10	10	11	11	12	12	13	13	14	14	15	15	16
KG	38	41.4	44.8	48.2	51.6	55	58.4	61.8	65.2	68.6	72	75.4	78.8	82.2	85.6	89	92.4	95.8	99.2	102.6	106	109.4	112.8	116.2	119.6	123	126.4	129.8	133.2	136.6

如有超长行程及定制需求, 请咨询我司业务。If you have extra long trip and custom requirements, please consult our business.

MR 电机外置右侧 Motor external right side



*不含电机重量。*Motor weight not included.

有效行程 Stroke	100	200	300	400	500	600	700	800	900	1000	1100	1200	1300	1400	1500	1600	1700	1800	1900	2000	2100	2200	2300	2400	2500	2600	2700	2800	2900	3000
L	575	675	775	875	975	1075	1175	1275	1375	1475	1575	1675	1775	1875	1975	2075	2175	2275	2375	2475	2575	2675	2775	2875	2975	3075	3175	3275	3375	3475
A	150	50	150	50	150	50	150	50	150	50	150	50	150	50	150	50	150	50	150	50	150	50	150	50	150	50	150	50	150	50
N	6	8	8	10	10	12	12	14	14	16	16	18	18	20	20	22	22	24	24	26	26	28	28	30	30	32	32	34	34	36
M	1	2	2	3	3	4	4	5	5	6	6	7	7	8	8	9	9	10	10	11	11	12	12	13	13	14	14	15	15	16
KG	38	41.4	44.8	48.2	51.6	55	58.4	61.8	65.2	68.6	72	75.4	78.8	82.2	85.6	89	92.4	95.8	99.2	102.6	106	109.4	112.8	116.2	119.6	123	126.4	129.8	133.2	136.6

如有超长行程及定制需求, 请咨询我司业务。If you have extra long trip and custom requirements, please consult our business.

HNR-E
HNB-E
HFR
HNR
HCR
HNB
HCB
HNT
XYZ
参考资料
Reference data



重复精度
Repeat Accuracy
±0.04 mm

此图仅供参考, 出货规格详见尺寸图面
This drawing is for reference only, Please refer to the size drawing for shipment specifications.

最大行程
Max stroke 3050mm

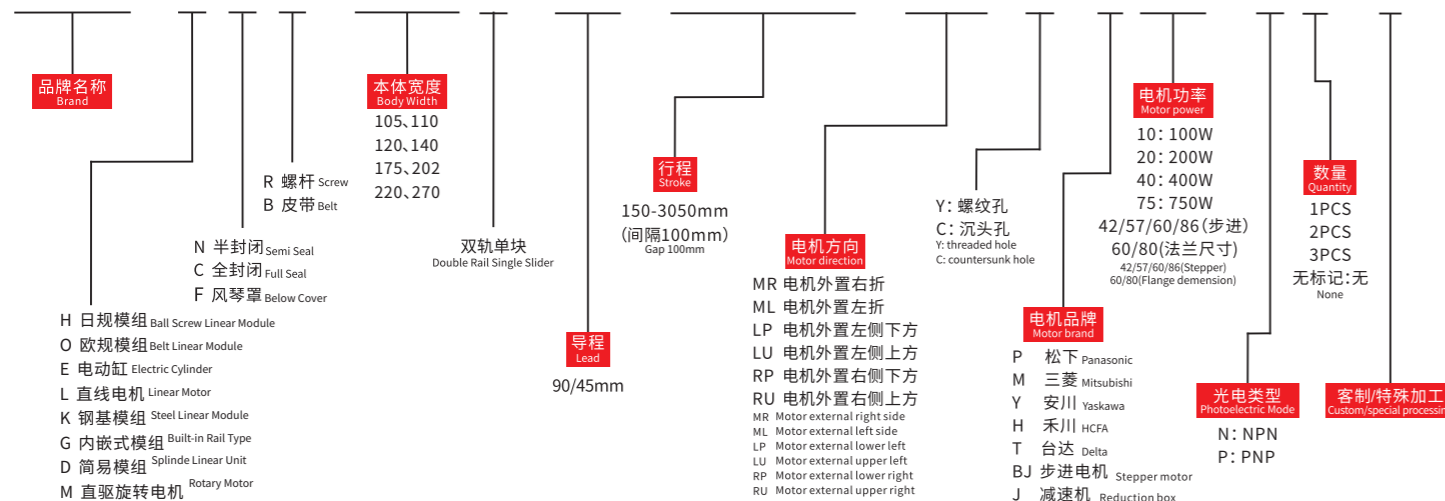
最高速度
Max speed 4500mm/s

马达容量
Motor output 200W

直线滑轨
Linear guide 20X18-2支

型号表达方式 Ordering method

TPA-HNB-105D-90-L3050-MR-Y-P20-N3-F



产品性能参数如下 Product performance parameters are as follows

电机功率 (W) Motor power (W)	200	
重复定位精度 (mm) Repeated positioning accuracy (mm)	±0.04	
减速比 (mm) Reduction ratio	1:1	1:2
规格 Spec	导程 (mm) Lead (mm)	90 45
最高速度 (mm/s) Maximum speed (mm/s)	4500	
电机额定转速 (RPM) Rated speed of motor (RPM)	3000	
最大可搬重量 Maximum Payload	9	18
标准行程 (mm) Stroke pitch (mm)	150~3050mm/100 间隔100 mm Pitch	
部品 Parts	基座材质 Material of base	硬质挤压铝材A1 Hard extruded aluminum A1
使用环境 Operating environment	0~40°C, 85%RH (无凝结) No condensation	

注1: 使用非上述功率电机时请依据实际参数推算。
Note 1: When using a motor with a power other than the above, please calculate according to the actual parameters.

注2: 最高速度因行程和负载而异, 当螺杆细长比大于1:50时, 可能会因螺杆临界速度产生共振和抖动, 应适当下调运行速度, 一般螺杆每增长100mm, 速度应下调10~15%。
Note 2: The maximum speed varies with stroke and load. When the screw slenderness ratio is greater than 1:50, resonance and jitter may occur due to the critical speed of the screw, so the running speed should be reduced appropriately. Generally, the speed should be reduced by 10~15% for every 100mm increase of the screw.

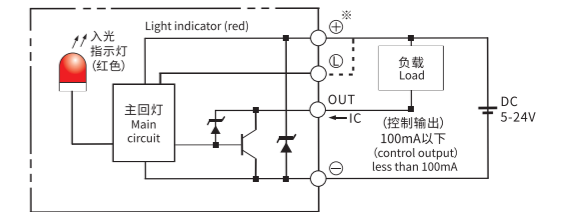
容许负载力矩表 N.m Allowable overhang

水平安装 Horizontal installation (单位Unit:mm)				侧面安装 Side mounting (单位Unit:mm)			
	A	B	C		A	B	C
负载 Load	5kg	495	152	4kg	162	192	625
	8kg	301	91	7kg	89	106	347
	10kg	236	71	10kg	60	71	236

搭配伺服马达一览表 Suitable motor brand

品牌 Brand	马达记号 Mark	刹车有无 Brake	马达容量 Motor capacity	电源电压 AC-Voltage	伺服马达型号 Servo motor model	驱动器型号 Driver Model
三菱 Mitsubishi	M	无刹车(水平式样) No brake (horizontal type)	200	220	HG-KR73	MR-J4-70A
松下 Panasonic	P	无刹车(水平式样) No brake (horizontal type)	200	220	MHMD082G1U	MBDHT3520
台达 Delta	T	无刹车(水平式样) No brake (horizontal type)	200	220	ECMA-C20807ES	ASD-B20721-B

感应器连接图<原点及端点> Sensor layout



- HNR-E
- HNB-E
- HFR
- HNR
- HCR
- HNB**
- HCB
- HNT
- XYZ
- 参考资料 Reference data

静态容许负载惯量 Static loading moment

	(单位Unit:N.m)
MY	150
MP	150
MR	130

*力矩表所表示的数据, 代表重心。
The torque value in the chart indicate the center of gravity.

*符合型录规范的正常试用下, 保证寿命为10000公里。
Operation life is 10,000km when the product is using under the specified conditions.

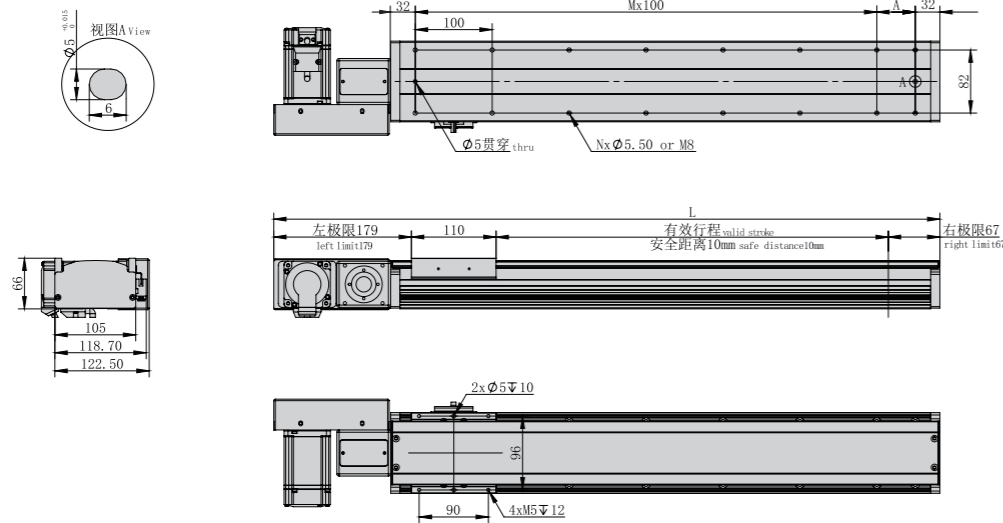
*倒吊使用无法套用标准规范, 如有需求请咨询我司业务。
The standard specification cannot be applied to the use of inverted crane. Please consult our business if necessary.



电机外置左侧/电机外置右侧
Motor external left side / Motor external right side

ML 电机外置左侧 Motor external left side

单位:Unit: mm



*不含电机重量。*Motor weight not included.

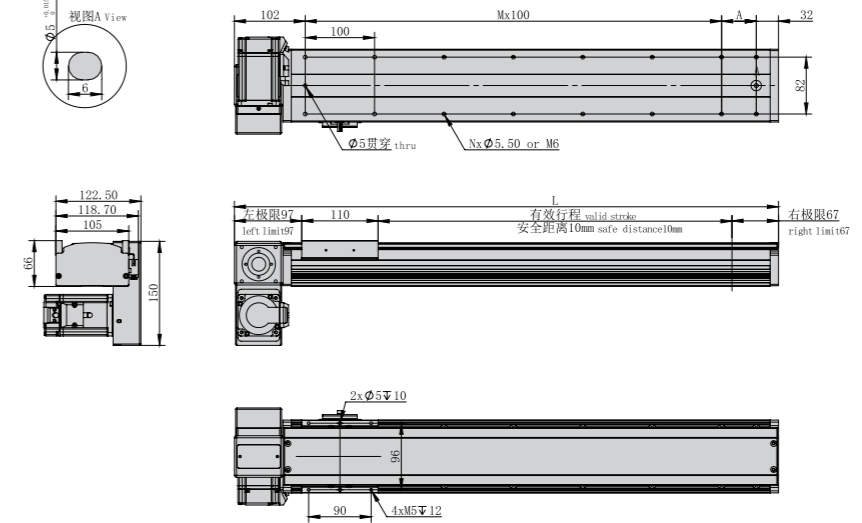
有效行程 Stroke	150	250	350	450	550	650	750	850	950	1050	1150	1250	1350	1450	1550	1650	1750	1850	1950	2050	2150	2250	2350	2450	2550	2650	2750	2850	2950	3050
L	516	616	716	816	916	1016	1116	1216	1316	1416	1516	1616	1716	1816	1916	2016	2116	2216	2316	2416	2516	2616	2716	2816	2916	3016	3116	3216	3316	3416
A	100	100	100	100	100	100	100	100	100	100	100	100	100	100	100	100	100	100	100	100	100	100	100	100	100	100	100	100	100	100
N	8	10	12	14	16	18	20	22	24	26	28	30	32	34	36	38	40	42	44	46	48	50	52	54	56	58	60	62	64	66
M	3	4	5	6	7	8	9	10	11	12	13	14	15	16	17	18	19	20	21	22	23	24	25	26	27	28	29	30	31	32
KG	4.8	5.5	6.2	6.9	7.6	8.3	9	9.7	10.4	11.1	11.8	12.5	13.2	13.9	14.6	15.3	16	16.7	17.4	18.1	18.8	19.5	20.2	20.9	21.6	22.3	23	23.7	24.4	25.1

如有超长行程及定制需求,请咨询我司业务。If you have extra long trip and custom requirements, please consult our business.

电机外置左下/电机外置左上
Motor external lower left / Motor external upper left

LP 电机外置左下 Motor external lower left

单位:Unit: mm



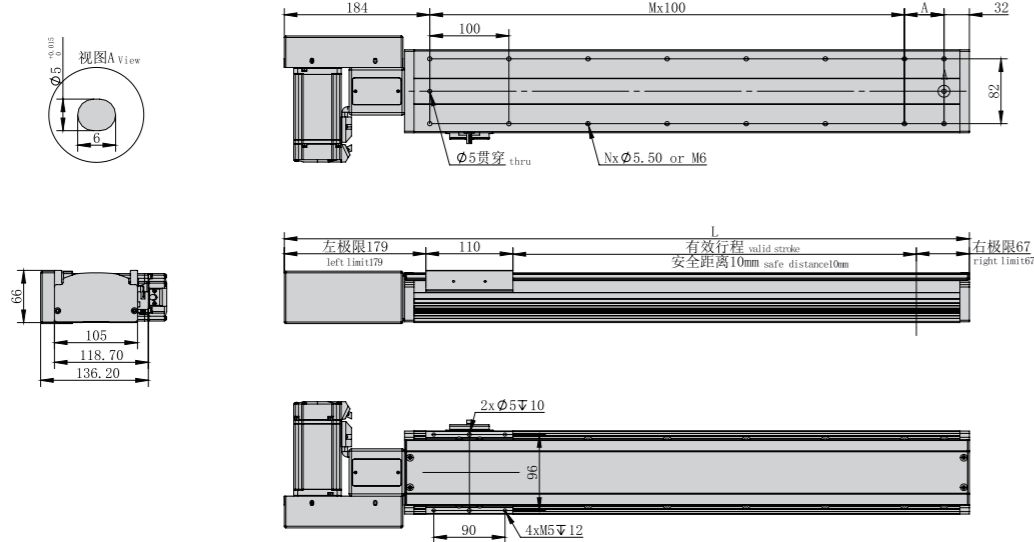
*不含电机重量。*Motor weight not included.

有效行程 Stroke	150	250	350	450	550	650	750	850	950	1050	1150	1250	1350	1450	1550	1650	1750	1850	1950	2050	2150	2250	2350	2450	2550	2650	2750	2850	2950	3050
L	434	534	634	734	834	934	1034	1134	1234	1334	1434	1534	1634	1734	1834	1934	2034	2134	2234	2334	2434	2534	2634	2734	2834	2934	3034	3134	3234	3334
A	100	100	100	100	100	100	100	100	100	100	100	100	100	100	100	100	100	100	100	100	100	100	100	100	100	100	100	100	100	100
N	8	10	12	14	16	18	20	22	24	26	28	30	32	34	36	38	40	42	44	46	48	50	52	54	56	58	60	62	64	66
M	3	4	5	6	7	8	9	10	11	12	13	14	15	16	17	18	19	20	21	22	23	24	25	26	27	28	29	30	31	32
KG	4.8	5.5	6.2	6.9	7.6	8.3	9	9.7	10.4	11.1	11.8	12.5	13.2	13.9	14.6	15.3	16	16.7	17.4	18.1	18.8	19.5	20.2	20.9	21.6	22.3	23	23.7	24.4	25.1

如有超长行程及定制需求,请咨询我司业务。If you have extra long trip and custom requirements, please consult our business.

MR 电机外置右侧 Motor external right side

单位:Unit: mm



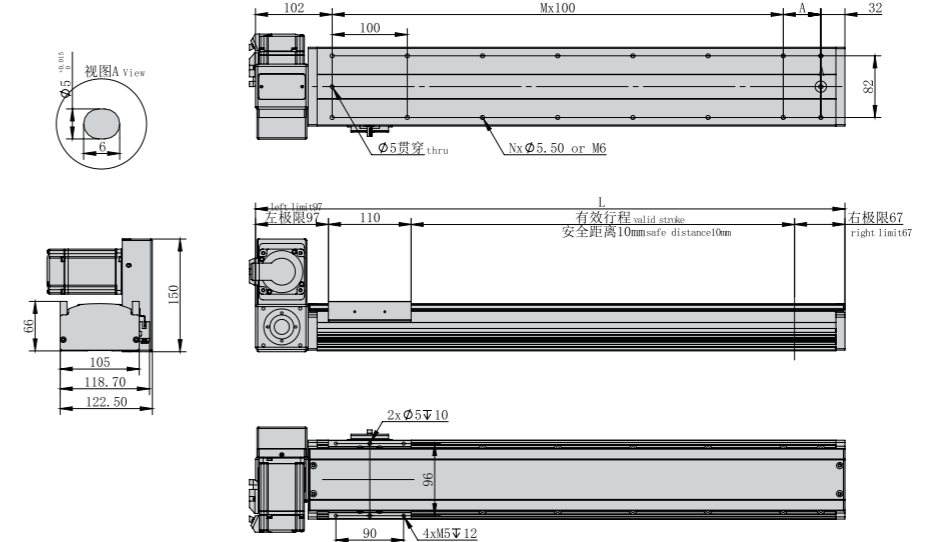
*不含电机重量。*Motor weight not included.

有效行程 Stroke	150	250	350	450	550	650	750	850	950	1050	1150	1250	1350	1450	1550	1650	1750	1850	1950	2050	2150	2250	2350	2450	2550	2650	2750	2850	2950	3050
L	466	566	666	766	866	966	1066	1166	1266	1366	1466	1566	1666	1766	1866	1966	2066	2166	2266	2366	2466	2566	2666	2766	2866	2966	3066	3166	3266	3366
A	100	100	100	100	100	100	100	100	100	100	100	100	100	100	100	100	100	100	100	100	100	100	100	100	100	100	100	100	100	100
N	8	10	12	14	16	18	20	22	24	26	28	30	32	34	36	38	40	42	44	46	48	50	52	54	56	58	60	62	64	66
M	3	4	5	6	7	8	9	10	11	12	13	14	15	16	17	18	19	20	21	22	23	24	25	26	27	28	29	30	31	32
KG	4.8	5.5	6.2	6.9	7.6	8.3	9	9.7	10.4	11.1	11.8	12.5	13.2	13.9	14.6	15.3	16	16.7	17.4	18.1	18.8	19.5	20.2	20.9	21.6	22.3	23	23.7	24.4	25.1

如有超长行程及定制需求,请咨询我司业务。If you have extra long trip and custom requirements, please consult our business.

LU 电机外置左上 Motor external upper left

单位:Unit: mm



*不含电机重量。*Motor weight not included.

有效行程 Stroke	150	250	350	450	550	650	750	850	950	1050	1150	1250	1350	1450	1550	1650	1750	1850	1950	2050	2150	2250	2350	2450	2550	2650	2750	2850	2950	3050
L	434	534	634	734	834	934	1034	1134	1234	1334	1434	1534	1634	1734	1834	1934	2034	2134	2234	2334	2434	2534	2634	2734	2834	2934	3034	3134	3234	3334
A	100	100	100	100	100	100	100	100	100	100	100	100	100	100	100	100	100	100	100	100	100	100	100	100	100	100	100	100	100	100
N	8	10	12	14	16	18	20	22	24	26	28	30	32	34	36	38	40	42	44	46	48	50	52	54	56	58	60	62	64	66
M	3	4	5	6	7	8	9	10	11	12	13	14	15	16	17	18	19	20	21	22	23	24	25	26	27	28	29	30	31	32
KG	4.8	5.5	6.2	6.9	7.6	8.3	9	9.7	10.4	11.1	11.8	12.5	13.2	13.9	14.6	15.3	16	16.7	17.4	18.1	18.8	19.5	20.2	20.9	21.6	22.3	23	23.7	24.4	25.1

如有超长行程及定制需求,请咨询我司业务。If you have extra long trip and custom requirements, please consult our business.

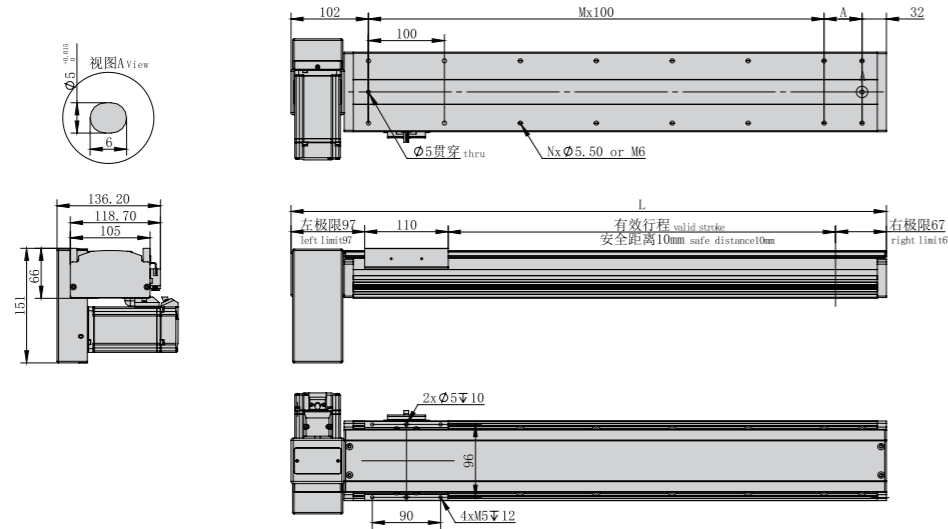
HNR-E
HNB-E
HFR
HNR
HCR
HNB
HCB
HNT
XYZ
参考资料 Reference data



电机外置右下/电机外置右上
Motor external lower right / Motor external upper right

RP 电机外置右下 Motor external lower right

单位:Unit: mm



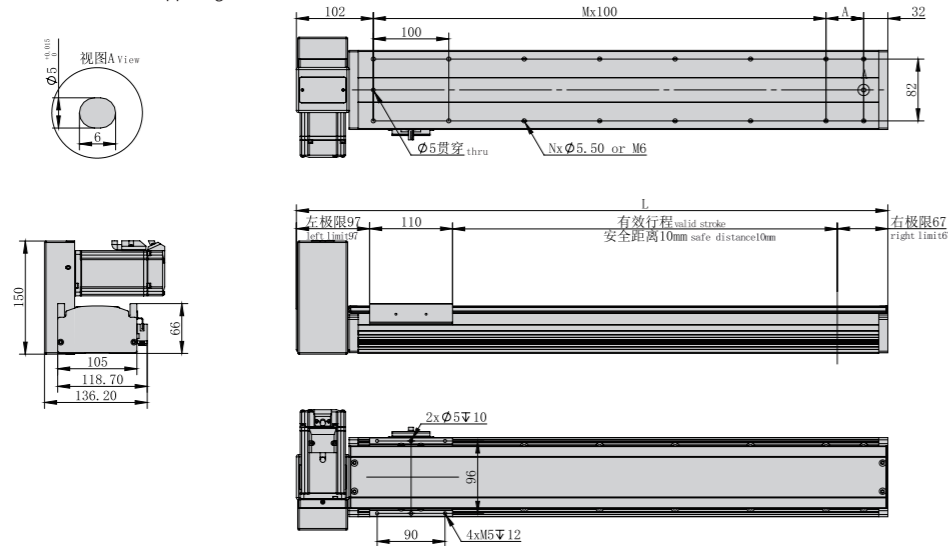
*不含电机重量。*Motor weight not included.

有效行程 Stroke	150	250	350	450	550	650	750	850	950	1050	1150	1250	1350	1450	1550	1650	1750	1850	1950	2050	2150	2250	2350	2450	2550	2650	2750	2850	2950	3050
L	434	534	634	734	834	934	1034	1134	1234	1334	1434	1534	1634	1734	1834	1934	2034	2134	2234	2334	2434	2534	2634	2734	2834	2934	3034	3134	3234	3334
A	100	100	100	100	100	100	100	100	100	100	100	100	100	100	100	100	100	100	100	100	100	100	100	100	100	100	100	100	100	100
N	8	10	12	14	16	18	20	22	24	26	28	30	32	34	36	38	40	42	44	46	48	50	52	54	56	58	60	62	64	66
M	3	4	5	6	7	8	9	10	11	12	13	14	15	16	17	18	19	20	21	22	23	24	25	26	27	28	29	30	31	32
KG	4.8	5.5	6.2	6.9	7.6	8.3	9	9.7	10.4	11.1	11.8	12.5	13.2	13.9	14.6	15.3	16	16.7	17.4	18.1	18.8	19.5	20.2	20.9	21.6	22.3	23	23.7	24.4	25.1

如有超长行程及定制需求,请咨询我司业务。If you have extra long trip and custom requirements, please consult our business.

RU 电机外置右上 Motor external upper right

单位:Unit: mm



*不含电机重量。*Motor weight not included.

有效行程 Stroke	150	250	350	450	550	650	750	850	950	1050	1150	1250	1350	1450	1550	1650	1750	1850	1950	2050	2150	2250	2350	2450	2550	2650	2750	2850	2950	3050
L	434	534	634	734	834	934	1034	1134	1234	1334	1434	1534	1634	1734	1834	1934	2034	2134	2234	2334	2434	2534	2634	2734	2834	2934	3034	3134	3234	3334
A	100	100	100	100	100	100	100	100	100	100	100	100	100	100	100	100	100	100	100	100	100	100	100	100	100	100	100	100	100	100
N	8	10	12	14	16	18	20	22	24	26	28	30	32	34	36	38	40	42	44	46	48	50	52	54	56	58	60	62	64	66
M	3	4	5	6	7	8	9	10	11	12	13	14	15	16	17	18	19	20	21	22	23	24	25	26	27	28	29	30	31	32
KG	4.8	5.5	6.2	6.9	7.6	8.3	9	9.7	10.4	11.1	11.8	12.5	13.2	13.9	14.6	15.3	16	16.7	17.4	18.1	18.8	19.5	20.2	20.9	21.6	22.3	23	23.7	24.4	25.1

如有超长行程及定制需求,请咨询我司业务。If you have extra long trip and custom requirements, please consult our business.

MEMO

- HNR-E
- HNB-E
- HFR
- HNR
- HCR
- HNB**
- HCBC
- HNT
- XYZ
- 参考资料
Reference data



重复精度
Repeat Accuracy
±0.04 mm

此图仅供参考, 出货规格详见尺寸图面
This drawing is for reference only, Please refer to the size drawing for shipment specifications.

最大行程
Max stroke 1850mm

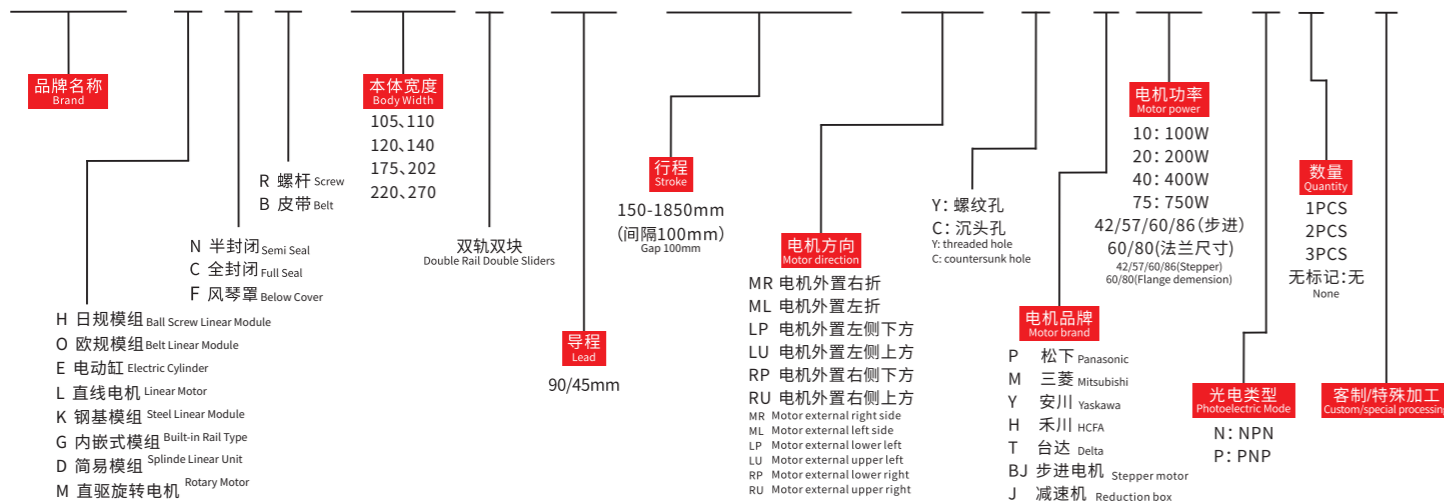
最高速度
Max speed 4500mm/s

马达容量
Motor output 200W

直线滑轨
Linear guide 12X8-2支

型号表达方式 Ordering method

TPA-HNB-110D-90-L1850-MR-Y-P20-N3-F



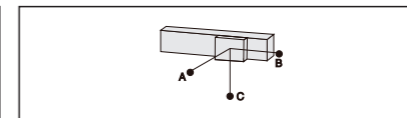
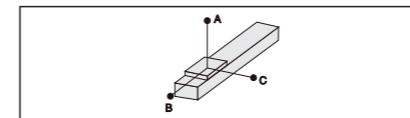
产品性能参数如下 Product performance parameters are as follows

电机功率 (W) Motor power (W)	200	
重复定位精度 (mm) Repeated positioning accuracy (mm)	±0.04	
减速比 (mm) Reduction ratio	1:1	1:2
规格 Spec	导程 (mm) Lead (mm)	90 45
最高速度 (mm/s) Maximum speed (mm/s)	4500	
电机额定转速 (RPM) Rated speed of motor (RPM)	3000	
最大可搬重量 Maximum Payload	9	18
标准行程 (mm) Stroke pitch (mm)	150~1850mm/100 间隔100 mm Pitch	
部品 Parts	基座材质 Material of base	硬质挤压铝材A1 Hard extruded aluminum A1
使用环境 Operating environment	0~40°C, 85%RH(无凝结) No condensation	

注1: 使用非上述功率电机时请依据实际参数推算。
Note 1: When using a motor with a power other than the above, please calculate according to the actual parameters.

注2: 最高速度因行程和负载而异, 当螺杆细长比大于1:50时, 可能会因螺杆临界速度产生共振和抖动, 应适当下调运行速度, 一般螺杆每增长100mm, 速度应下调10~15%。
Note 2: The maximum speed varies with stroke and load. When the screw slenderness ratio is greater than 1:50, resonance and jitter may occur due to the critical speed of the screw, so the running speed should be reduced appropriately. Generally, the speed should be reduced by 10~15% for every 100mm increase of the screw.

容许负载力矩表 N.m Allowable overhang

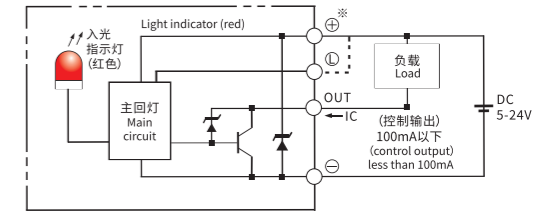


水平安装 Horizontal installation (单位Unit:mm)				侧面安装 Side mounting (单位Unit:mm)			
负载 Load	A	B	C	负载 Load	A	B	C
5kg	1400	750	600	5kg	660	500	1100
8kg	1100	450	400	8kg	450	300	850
10kg	1000	350	350	10kg	350	220	800

搭配伺服马达一览表 Suitable motor brand

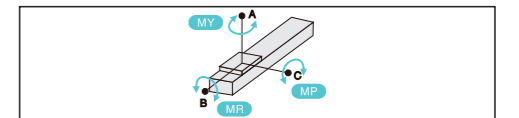
品牌 Brand	马达记号 Mark	刹车有无 Brake	马达容量 Motor capacity	电源电压 AC-Voltage	伺服马达型号 Servo motor model	驱动器型号 Driver Model
三菱 Mitsubishi	M	无刹车(水平式样) No brake (horizontal type)	200	220	HG-KR73	MR-J4-70A
松下 Panasonic	P	无刹车(水平式样) No brake (horizontal type)	200	220	MHMD082G1U	MBDHT3520
台达 Delta	T	无刹车(水平式样) No brake (horizontal type)	200	220	ECMA-C20807ES	ASD-B20721-B

感应器连接图<原点及端点> Sensor layout



HNR-E
HNB-E
HFR
HNR
HCR
HNB
HCB
HNT
XYZ
参考资料 Reference data

静态容许负载惯量 Static loading moment



MY	MP	MR
110	110	120

*力矩表所表示的数据, 代表重心。
The torque value in the chart indicate the center of gravity.

*符合型录规范的正常试用下, 保证寿命为10000公里。
Operation life is 10,000km when the product is using under the specified conditions.

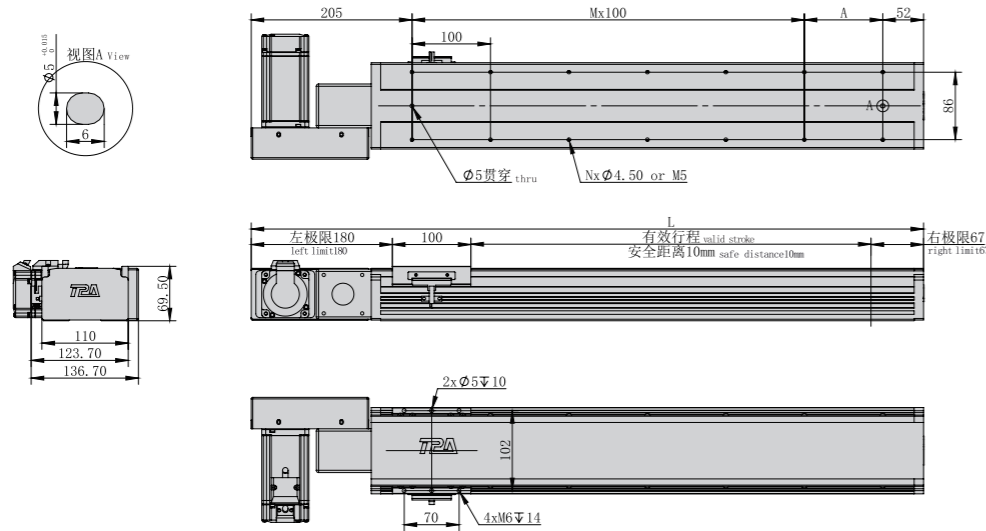
*倒吊使用无法套用标准规范, 如有需求请咨询我司业务。
The standard specification cannot be applied to the use of inverted crane. Please consult our business if necessary.



电机外置左侧/电机外置右侧
Motor external left side / Motor external right side

ML 电机外置左侧 Motor external left side

单位:Unit: mm



*不含电机重量。*Motor weight not included.

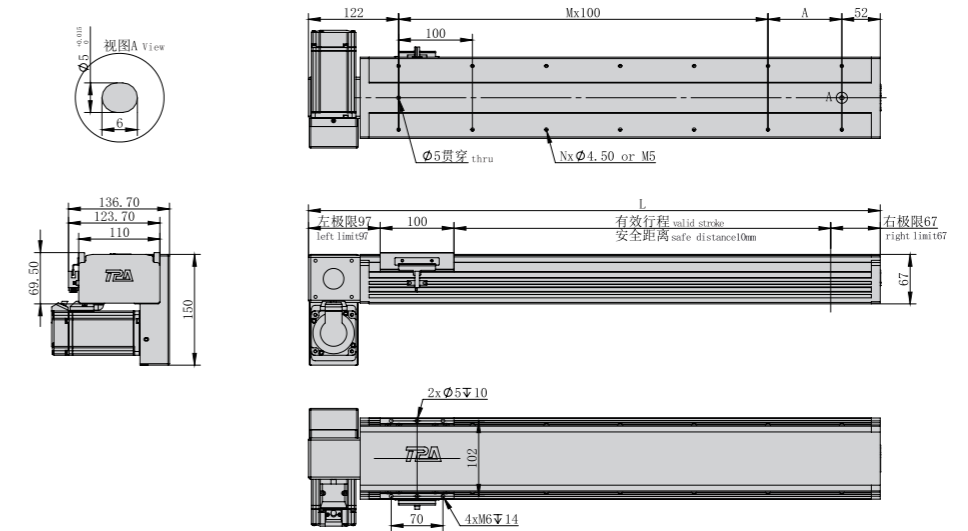
有效行程 Stroke	150	250	350	450	550	650	750	850	950	1050	1150	1250	1350	1450	1550	1650	1750	1850
L	507	607	707	807	907	1007	1107	1207	1307	1407	1507	1607	1707	1807	1907	2007	2107	2207
A	50	50	50	50	50	50	50	50	50	50	50	50	50	50	50	50	50	50
N	8	10	12	14	16	18	20	22	24	26	28	30	32	34	36	38	40	42
M	2	3	4	5	6	7	8	9	10	11	12	13	14	15	16	17	18	19
KG	4.5	5	5.5	6	6.5	7	7.5	8	8.5	9	9.5	10	10.5	11	11.5	12	12.5	13

如有超长行程及定制需求,请咨询我司业务。If you have extra long trip and custom requirements, please consult our business.

电机外置左下/电机外置左上
Motor external lower left / Motor external upper left

LP 电机外置左下 Motor external lower left

单位:Unit: mm



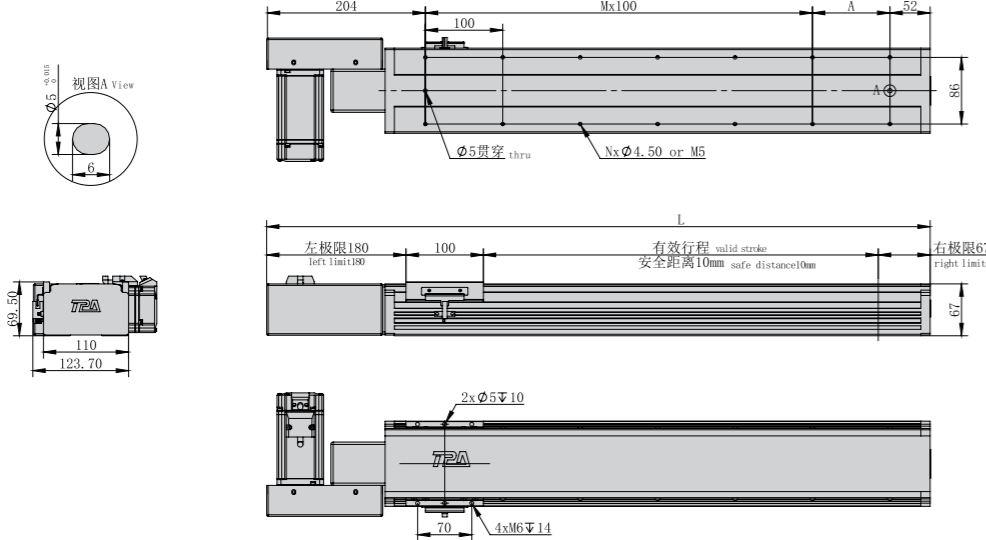
*不含电机重量。*Motor weight not included.

有效行程 Stroke	150	250	350	450	550	650	750	850	950	1050	1150	1250	1350	1450	1550	1650	1750	1850
L	424	524	624	724	824	924	1024	1124	1224	1324	1424	1524	1624	1724	1824	1924	2024	2124
A	50	50	50	50	50	50	50	50	50	50	50	50	50	50	50	50	50	50
N	8	10	12	14	16	18	20	22	24	26	28	30	32	34	36	38	40	42
M	2	3	4	5	6	7	8	9	10	11	12	13	14	15	16	17	18	19
KG	4.5	5	5.5	6	6.5	7	7.5	8	8.5	9	9.5	10	10.5	11	11.5	12	12.5	13

如有超长行程及定制需求,请咨询我司业务。If you have extra long trip and custom requirements, please consult our business.

MR 电机外置右侧 Motor external right side

单位:Unit: mm



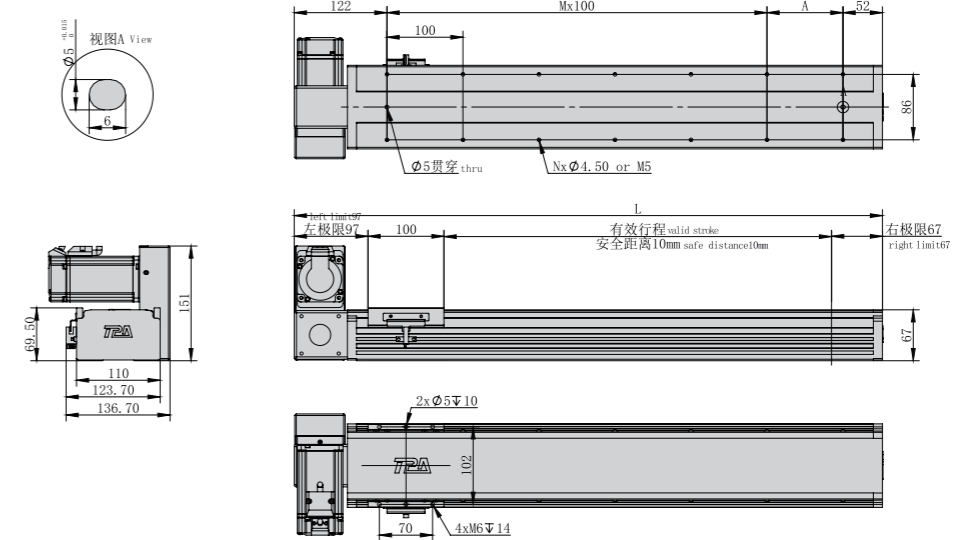
*不含电机重量。*Motor weight not included.

有效行程 Stroke	150	250	350	450	550	650	750	850	950	1050	1150	1250	1350	1450	1550	1650	1750	1850
L	507	607	707	807	907	1007	1107	1207	1307	1407	1507	1607	1707	1807	1907	2007	2107	2207
A	50	50	50	50	50	50	50	50	50	50	50	50	50	50	50	50	50	50
N	8	10	12	14	16	18	20	22	24	26	28	30	32	34	36	38	40	42
M	2	3	4	5	6	7	8	9	10	11	12	13	14	15	16	17	18	19
KG	4.5	5	5.5	6	6.5	7	7.5	8	8.5	9	9.5	10	10.5	11	11.5	12	12.5	13

如有超长行程及定制需求,请咨询我司业务。If you have extra long trip and custom requirements, please consult our business.

LU 电机外置左上 Motor external upper left

单位:Unit: mm



*不含电机重量。*Motor weight not included.

有效行程 Stroke	150	250	350	450	550	650	750	850	950	1050	1150	1250	1350	1450	1550	1650	1750	1850
L	424	524	624	724	824	924	1024	1124	1224	1324	1424	1524	1624	1724	1824	1924	2024	2124
A	50	50	50	50	50	50	50	50	50	50	50	50	50	50	50	50	50	50
N	8	10	12	14	16	18	20	22	24	26	28	30	32	34	36	38	40	42
M	2	3	4	5	6	7	8	9	10	11	12	13	14	15	16	17	18	19
KG	4.5	5	5.5	6	6.5	7	7.5	8	8.5	9	9.5	10	10.5	11	11.5	12	12.5	13

如有超长行程及定制需求,请咨询我司业务。If you have extra long trip and custom requirements, please consult our business.

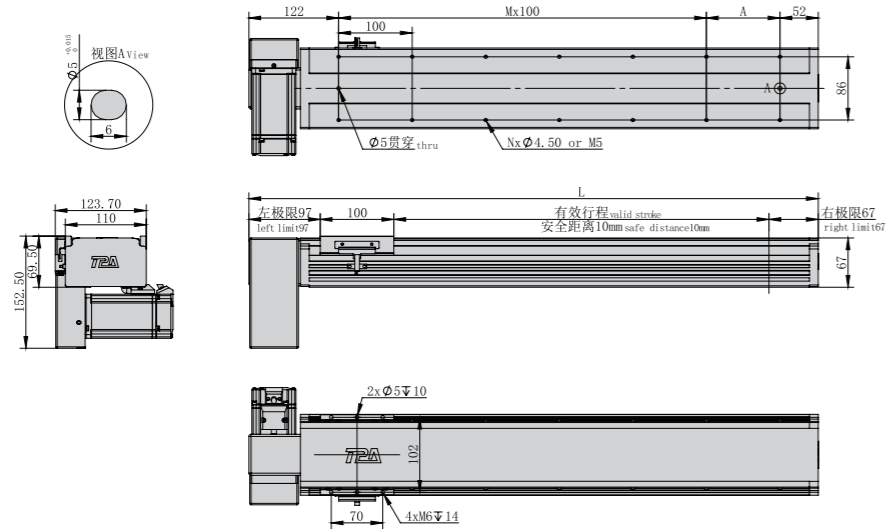
HNR-E
HNB-E
HFR
HNR
HCR
HNB
HCB
HNT
XYZ
参考资料 Reference data



电机外置右下/电机外置右上
Motor external lower right / Motor external upper right

RP 电机外置右下 Motor external lower right

单位:Unit:mm



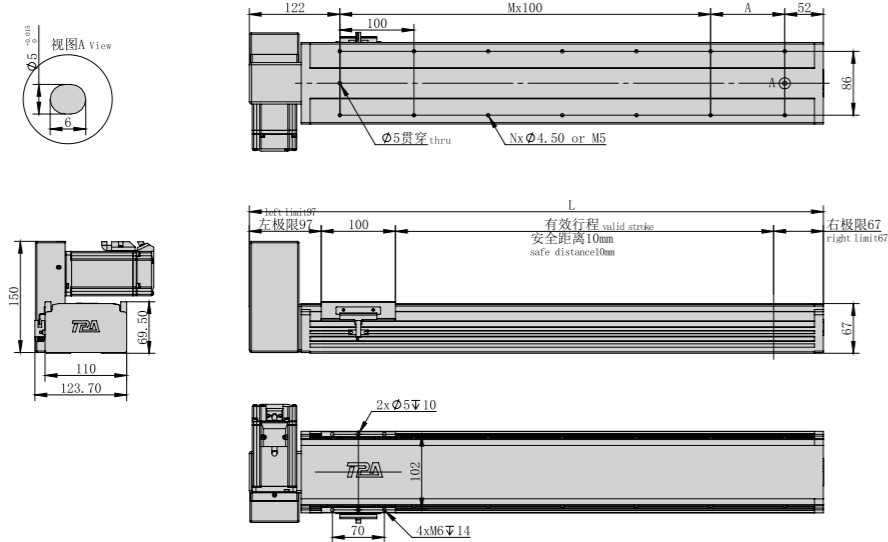
*不含电机重量。*Motor weight not included.

有效行程 Stroke	150	250	350	450	550	650	750	850	950	1050	1150	1250	1350	1450	1550	1650	1750	1850
L	424	524	624	724	824	924	1024	1124	1224	1324	1424	1524	1624	1724	1824	1924	2024	2124
A	50	50	50	50	50	50	50	50	50	50	50	50	50	50	50	50	50	50
N	8	10	12	14	16	18	20	22	24	26	28	30	32	34	36	38	40	42
M	2	3	4	5	6	7	8	9	10	11	12	13	14	15	16	17	18	19
KG	4.5	5	5.5	6	6.5	7	7.5	8	8.5	9	9.5	10	10.5	11	11.5	12	12.5	13

如有超长行程及定制需求,请咨询我司业务。If you have extra long trip and custom requirements, please consult our business.

RU 电机外置右上 Motor external upper right

单位:Unit:mm



*不含电机重量。*Motor weight not included.

有效行程 Stroke	150	250	350	450	550	650	750	850	950	1050	1150	1250	1350	1450	1550	1650	1750	1850
L	424	524	624	724	824	924	1024	1124	1224	1324	1424	1524	1624	1724	1824	1924	2024	2124
A	50	50	50	50	50	50	50	50	50	50	50	50	50	50	50	50	50	50
N	8	10	12	14	16	18	20	22	24	26	28	30	32	34	36	38	40	42
M	2	3	4	5	6	7	8	9	10	11	12	13	14	15	16	17	18	19
KG	4.5	5	5.5	6	6.5	7	7.5	8	8.5	9	9.5	10	10.5	11	11.5	12	12.5	13

如有超长行程及定制需求,请咨询我司业务。If you have extra long trip and custom requirements, please consult our business.

MEMO

HNR-E
HNB-E
HFR
HNR
HCR
HNB
HCB
HNT
XYZ
参考资料 Reference data



重复精度
Repeat Accuracy
±0.04 mm

此图仅供参考, 出货规格详见尺寸图面
This drawing is for reference only, Please refer to the size drawing for shipment specifications.

最大行程 Max stroke 3050mm

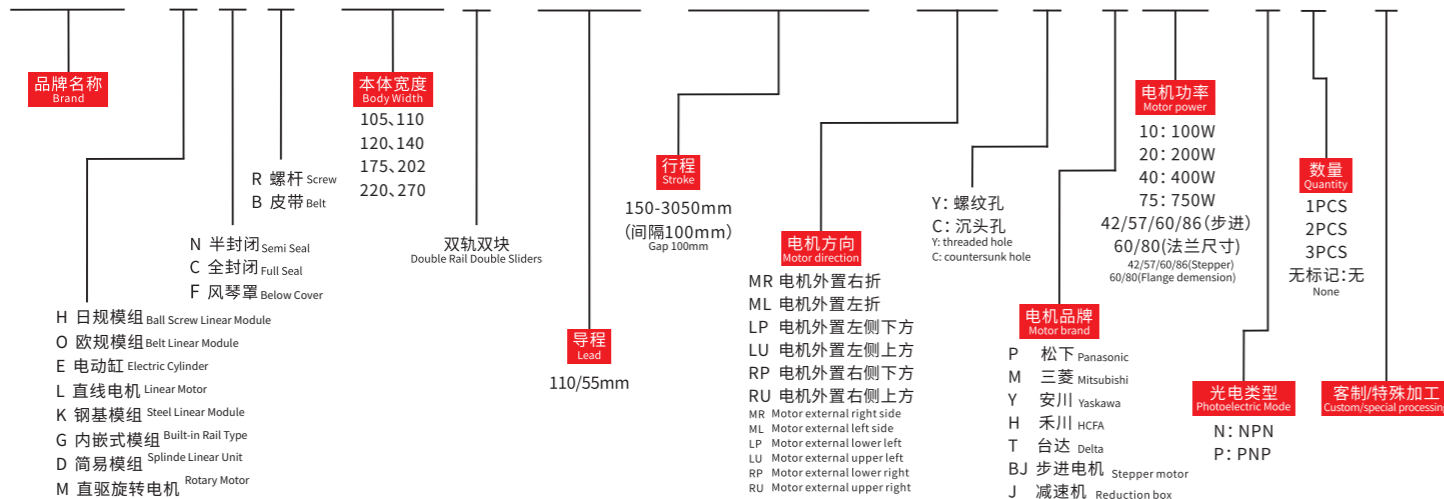
最高速度 Max speed 5500mm/s

马达容量 Motor output 400W

直线滑轨 Linear guide 15X12.5-2支

型号表达方式 Ordering method

TPA-HNB-120D-110-L3050-MR-Y-P40-N3-F



产品性能参数如下 Product performance parameters are as follows

电机功率 (W) Motor power (W)	400	
重复定位精度 (mm) Repeated positioning accuracy (mm)	±0.04	
减速比 (mm) Reduction ratio	1:1	1:2
规格 Spec	导程 (mm) Lead (mm)	110 55
最高速度 (mm/s) Maximum speed (mm/s)	5500	
电机额定转速 (RPM) Rated speed of motor (RPM)	3000	
最大可搬重量 Maximum Payload	14	28
标准行程 (mm) Stroke pitch (mm)	150~3050mm/100 间隔100 mm Pitch	
部品 Parts	基座材质 Material of base	硬质挤压铝材A1 Hard extruded aluminum A1
使用环境 Operating environment	0~40°C, 85%RH(无凝结) No condensation	

注1: 使用非上述功率电机时请依据实际参数推算。
Note 1: When using a motor with a power other than the above, please calculate according to the actual parameters.

注2: 最高速度因行程和负载而异, 当螺杆细长比大于1:50时, 可能会因螺杆临界速度产生共振和抖动, 应适当下调运行速度, 一般螺杆每增长100mm, 速度应下调10~15%。
Note 2: The maximum speed varies with stroke and load. When the screw slenderness ratio is greater than 1:50, resonance and jitter may occur due to the critical speed of the screw, so the running speed should be reduced appropriately. Generally, the speed should be reduced by 10~15% for every 100mm increase of the screw.

容许负载力矩表 N.m Allowable overhang

水平安装 Horizontal installation (单位Unit:mm)				侧面安装 Side mounting (单位Unit:mm)			
	A	B	C		A	B	C
负载 Load	5kg	1794	688	5kg	348	446	1170
	10kg	858	324	10kg	285	365	961
	20kg	670	251	20kg	197	251	670

静态容许负载惯量 Static loading moment

	(单位Unit:N.m)
MY	150
MP	150
MR	130

*力矩表所表示的数据, 代表重心。
The torque value in the chart indicate the center of gravity.

*符合型录规范的正常试用下, 保证寿命为10000公里。
Operation life is 10,000km when the product is using under the specified conditions.

*倒吊使用无法套用标准规范, 如有需求请咨询我司业务。
The standard specification cannot be applied to the use of inverted crane. Please consult our business if necessary.

搭配伺服马达一览表 Suitable motor brand

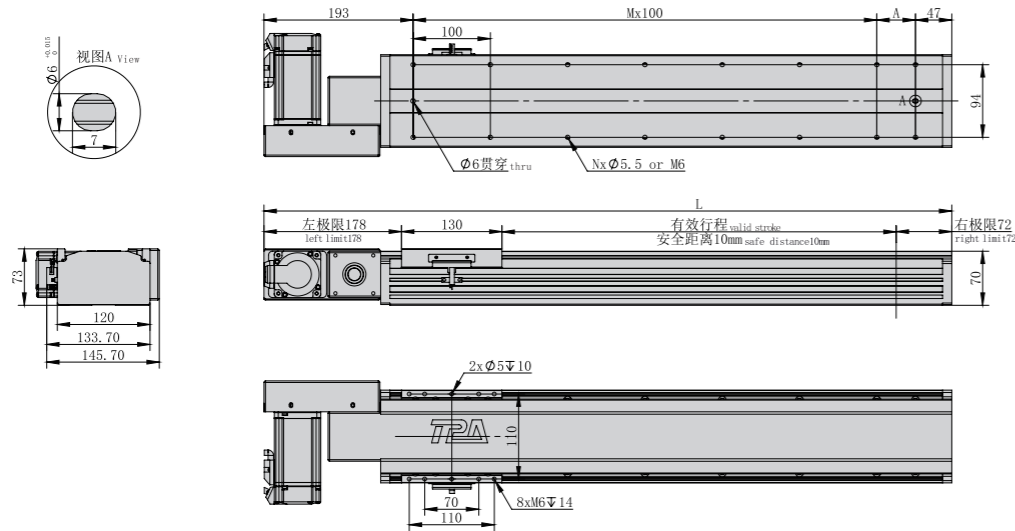
品牌 Brand	马达记号 Mark	刹车有无 Brake	马达容量 Motor capacity	电源电压 AC-Voltage	伺服马达型号 Servo motor model	驱动器型号 Driver Model
三菱 Mitsubishi	M	无刹车(水平式样) No brake (horizontal type)	400	220	HG-KN43J-S100	MR-JE-40A
松下 Panasonic	P	无刹车(水平式样) No brake (horizontal type)	400	220	MHMF042L1U2M	MBDLN25SE
台达 Delta	T	无刹车(水平式样) No brake (horizontal type)	400	220	ECM-B3M-C20604RS1	ASD-B3-0421-L



电机外置左侧/电机外置右侧
Motor external left side / Motor external right side

ML 电机外置左侧 Motor external left side

单位:Unit: mm



*不含电机重量。*Motor weight not included.

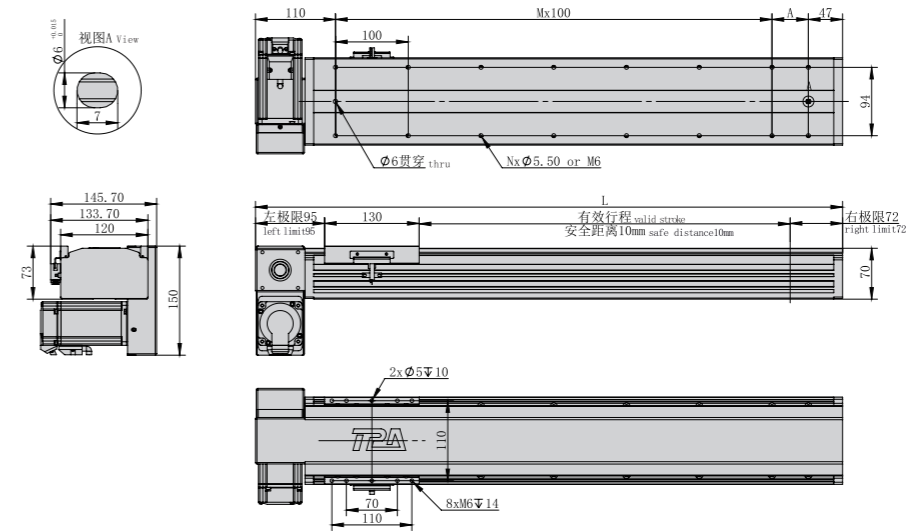
有效行程 Stroke	150	250	350	450	550	650	750	850	950	1050	1150	1250	1350	1450	1550	1650	1750	1850	1950	2050	2150	2250	2350	2450	2550	2650	2750	2850	2950	3050
L	540	640	740	840	940	1040	1140	1240	1340	1440	1540	1640	1740	1840	1940	2040	2140	2240	2340	2440	2540	2640	2740	2840	2940	3040	3140	3240	3340	3440
A	100	100	100	100	100	100	100	100	100	100	100	100	100	100	100	100	100	100	100	100	100	100	100	100	100	100	100	100	100	100
N	8	10	12	14	16	18	20	22	24	26	28	30	32	34	36	38	40	42	44	46	48	50	52	54	56	58	60	62	64	66
M	2	3	4	5	6	7	8	9	10	11	12	13	14	15	16	17	18	19	20	21	22	23	24	25	26	27	28	29	30	31
KG	7	8	9	10	11	12	13	14	15	16	17	18	19	20	21	22	23	24	25	26	27	28	29	30	31	32	33	34	35	36

如有超长行程及定制需求,请咨询我司业务。If you have extra long trip and custom requirements, please consult our business.

电机外置左下/电机外置左上
Motor external lower left / Motor external upper left

LP 电机外置左下 Motor external lower left

单位:Unit: mm



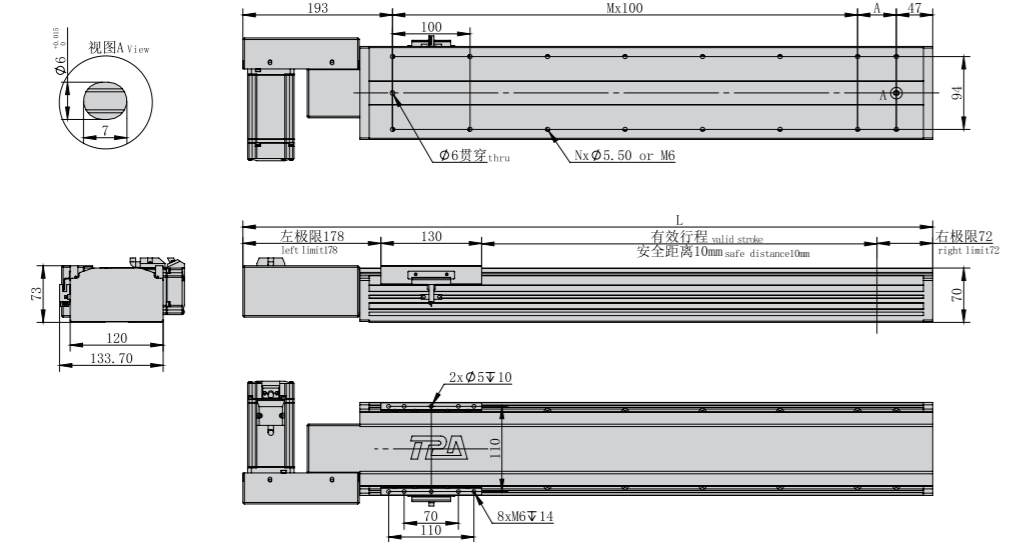
*不含电机重量。*Motor weight not included.

有效行程 Stroke	150	250	350	450	550	650	750	850	950	1050	1150	1250	1350	1450	1550	1650	1750	1850	1950	2050	2150	2250	2350	2450	2550	2650	2750	2850	2950	3050
L	457	557	657	757	857	957	1057	1157	1257	1357	1457	1557	1657	1757	1857	1957	2057	2157	2257	2357	2457	2557	2657	2757	2857	2957	3057	3157	3257	3357
A	100	100	100	100	100	100	100	100	100	100	100	100	100	100	100	100	100	100	100	100	100	100	100	100	100	100	100	100	100	100
N	8	10	12	14	16	18	20	22	24	26	28	30	32	34	36	38	40	42	44	46	48	50	52	54	56	58	60	62	64	66
M	2	3	4	5	6	7	8	9	10	11	12	13	14	15	16	17	18	19	20	21	22	23	24	25	26	27	28	29	30	31
KG	7	8	9	10	11	12	13	14	15	16	17	18	19	20	21	22	23	24	25	26	27	28	29	30	31	32	33	34	35	36

如有超长行程及定制需求,请咨询我司业务。If you have extra long trip and custom requirements, please consult our business.

MR 电机外置右侧 Motor external right side

单位:Unit: mm



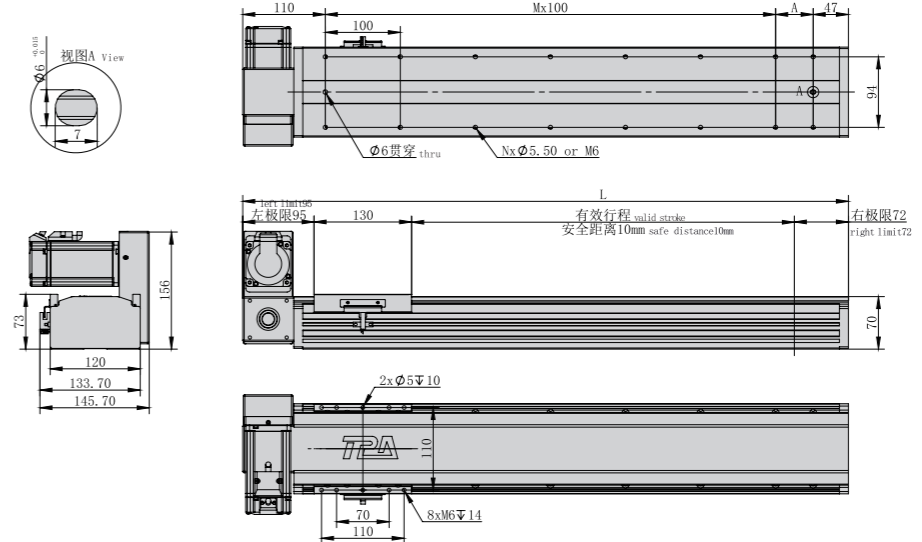
*不含电机重量。*Motor weight not included.

有效行程 Stroke	150	250	350	450	550	650	750	850	950	1050	1150	1250	1350	1450	1550	1650	1750	1850	1950	2050	2150	2250	2350	2450	2550	2650	2750	2850	2950	3050
L	540	640	740	840	940	1040	1140	1240	1340	1440	1540	1640	1740	1840	1940	2040	2140	2240	2340	2440	2540	2640	2740	2840	2940	3040	3140	3240	3340	3440
A	100	100	100	100	100	100	100	100	100	100	100	100	100	100	100	100	100	100	100	100	100	100	100	100	100	100	100	100	100	100
N	8	10	12	14	16	18	20	22	24	26	28	30	32	34	36	38	40	42	44	46	48	50	52	54	56	58	60	62	64	66
M	2	3	4	5	6	7	8	9	10	11	12	13	14	15	16	17	18	19	20	21	22	23	24	25	26	27	28	29	30	31
KG	7	8	9	10	11	12	13	14	15	16	17	18	19	20	21	22	23	24	25	26	27	28	29	30	31	32	33	34	35	36

如有超长行程及定制需求,请咨询我司业务。If you have extra long trip and custom requirements, please consult our business.

LU 电机外置左上 Motor external upper left

单位:Unit: mm



*不含电机重量。*Motor weight not included.

有效行程 Stroke	150	250	350	450	550	650	750	850	950	1050	1150	1250	1350	1450	1550	1650	1750	1850	1950	2050	2150	2250	2350	2450	2550	2650	2750	2850	2950	3050
L	457	557	657	757	857	957	1057	1157	1257	1357	1457	1557	1657	1757	1857	1957	2057	2157	2257	2357	2457	2557	2657	2757	2857	2957	3057	3157	3257	3357
A	100	100	100	100	100	100	100	100	100	100	100	100	100	100	100	100	100	100	100	100	100	100	100	100	100	100	100	100	100	100
N	8	10	12	14	16	18	20	22	24	26	28	30	32	34	36	38	40	42	44	46	48	50	52	54	56	58	60	62	64	66
M	2	3	4	5	6	7	8	9	10	11	12	13	14	15	16	17	18	19	20	21	22	23	24	25	26	27	28	29	30	31
KG	7	8	9	10	11	12	13	14	15	16	17	18	19	20	21	22	23	24	25	26	27	28	29	30	31	32	33	34	35	36

如有超长行程及定制需求,请咨询我司业务。If you have extra long trip and custom requirements, please consult our business.

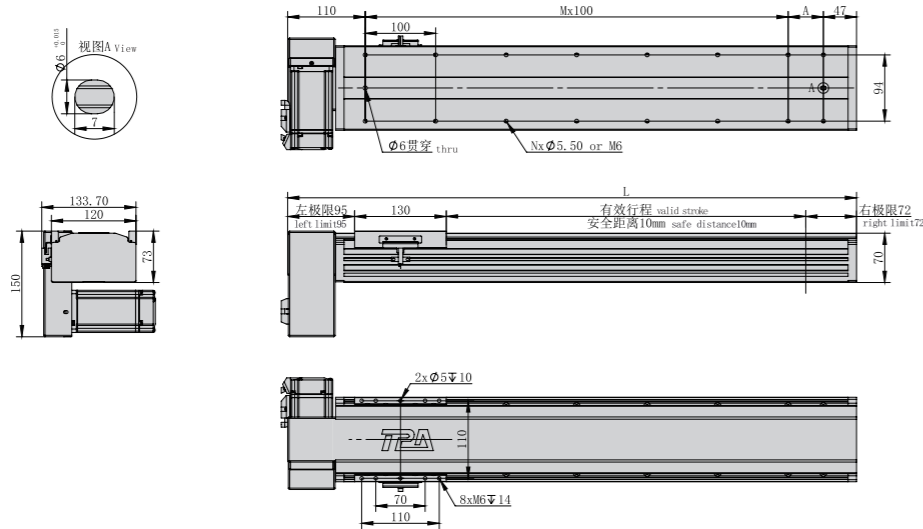
HNR-E
HNB-E
HFR
HNR
HCR
HNB
HCB
HNT
XYZ
参考资料 Reference data



电机外置右下/电机外置右上
Motor external lower right / Motor external upper right

RP 电机外置右下 Motor external lower right

单位:Unit:mm



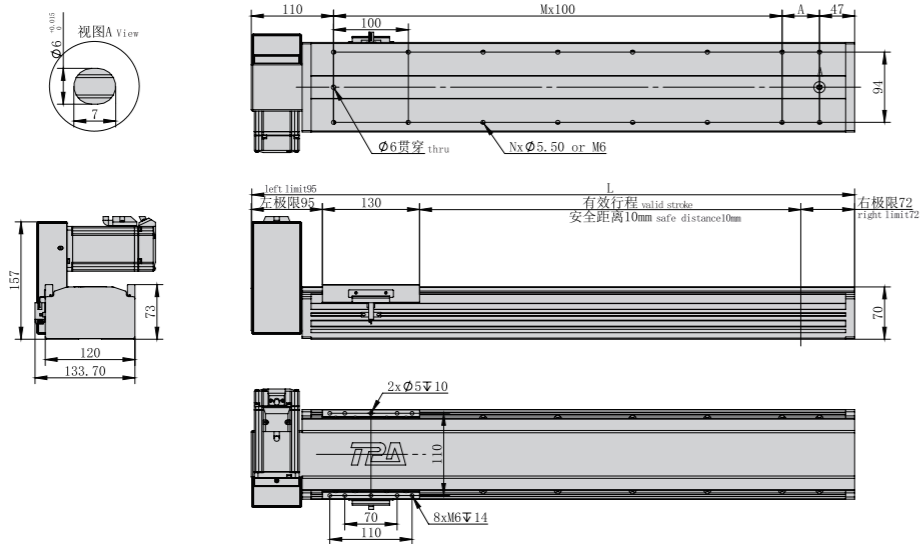
*不含电机重量。*Motor weight not included.

有效行程 Stroke	150	250	350	450	550	650	750	850	950	1050	1150	1250	1350	1450	1550	1650	1750	1850	1950	2050	2150	2250	2350	2450	2550	2650	2750	2850	2950	3050
L	457	557	657	757	857	957	1057	1157	1257	1357	1457	1557	1657	1757	1857	1957	2057	2157	2257	2357	2457	2557	2657	2757	2857	2957	3057	3157	3257	3357
A	100	100	100	100	100	100	100	100	100	100	100	100	100	100	100	100	100	100	100	100	100	100	100	100	100	100	100	100	100	100
N	8	10	12	14	16	18	20	22	24	26	28	30	32	34	36	38	40	42	44	46	48	50	52	54	56	58	60	62	64	66
M	2	3	4	5	6	7	8	9	10	11	12	13	14	15	16	17	18	19	20	21	22	23	24	25	26	27	28	29	30	31
KG	7	8	9	10	11	12	13	14	15	16	17	18	19	20	21	22	23	24	25	26	27	28	29	30	31	32	33	34	35	36

如有超长行程及定制需求,请咨询我司业务。If you have extra long trip and custom requirements, please consult our business.

RU 电机外置右上 Motor external upper right

单位:Unit:mm



*不含电机重量。*Motor weight not included.

有效行程 Stroke	150	250	350	450	550	650	750	850	950	1050	1150	1250	1350	1450	1550	1650	1750	1850	1950	2050	2150	2250	2350	2450	2550	2650	2750	2850	2950	3050
L	457	557	657	757	857	957	1057	1157	1257	1357	1457	1557	1657	1757	1857	1957	2057	2157	2257	2357	2457	2557	2657	2757	2857	2957	3057	3157	3257	3357
A	100	100	100	100	100	100	100	100	100	100	100	100	100	100	100	100	100	100	100	100	100	100	100	100	100	100	100	100	100	100
N	8	10	12	14	16	18	20	22	24	26	28	30	32	34	36	38	40	42	44	46	48	50	52	54	56	58	60	62	64	66
M	2	3	4	5	6	7	8	9	10	11	12	13	14	15	16	17	18	19	20	21	22	23	24	25	26	27	28	29	30	31
KG	7	8	9	10	11	12	13	14	15	16	17	18	19	20	21	22	23	24	25	26	27	28	29	30	31	32	33	34	35	36

如有超长行程及定制需求,请咨询我司业务。If you have extra long trip and custom requirements, please consult our business.

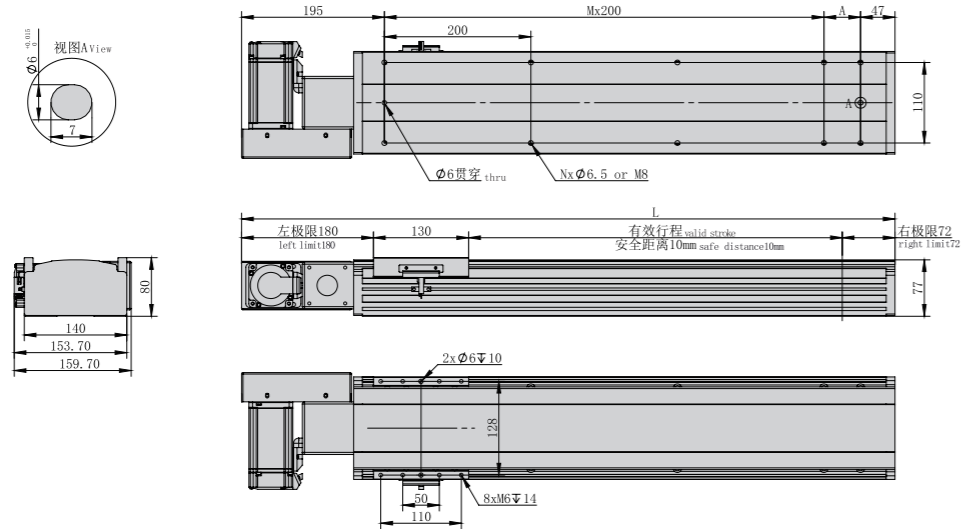
MEMO

HNR-E
HNB-E
HFR
HNR
HCR
HNB
HCB
HNT
XYZ
参考资料 Reference data



电机外置左侧/电机外置右侧
Motor external left side / Motor external right side

ML 电机外置左侧 Motor external left side



单位:Unit: mm

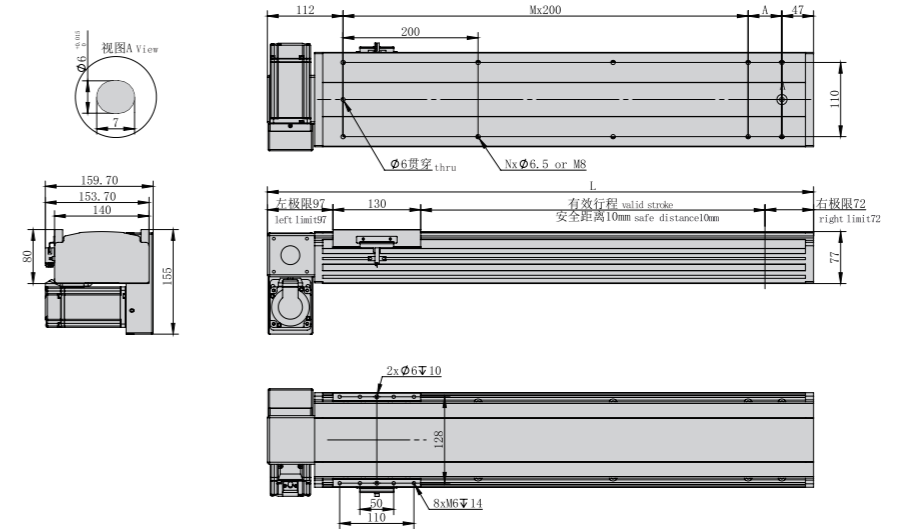
*不含电机重量。*Motor weight not included.

有效行程 Stroke	150	250	350	450	550	650	750	850	950	1050	1150	1250	1350	1450	1550	1650	1750	1850	1950	2050	2150	2250	2350	2450	2550	2650	2750	2850	2950	3050
L	542	642	742	842	942	1042	1142	1242	1342	1442	1542	1642	1742	1842	1942	2042	2142	2242	2342	2442	2542	2642	2742	2842	2942	3042	3142	3242	3342	3442
A	100	200	100	200	100	200	100	200	100	200	100	200	100	200	100	200	100	200	100	200	100	200	100	200	100	200	100	200	100	200
N	6	6	8	8	10	10	12	12	14	14	16	16	18	18	20	20	22	22	24	24	26	26	28	28	30	30	32	32	34	34
M	1	1	2	2	3	3	4	4	5	5	6	6	7	7	8	8	9	9	10	10	11	11	12	12	13	13	14	14	15	15
KG	8	8.5	9	9.5	10	10.5	11	11.5	12	12.5	13	13.5	14	14.5	15	15.5	16	16.5	17	17.5	18	18.5	19	19.5	20	20.5	21	21.5	22	22.5

如有超长行程及定制需求, 请咨询我司业务。If you have extra long trip and custom requirements, please consult our business.

电机外置左下/电机外置左上
Motor external lower left / Motor external upper left

LP 电机外置左下 Motor external lower left



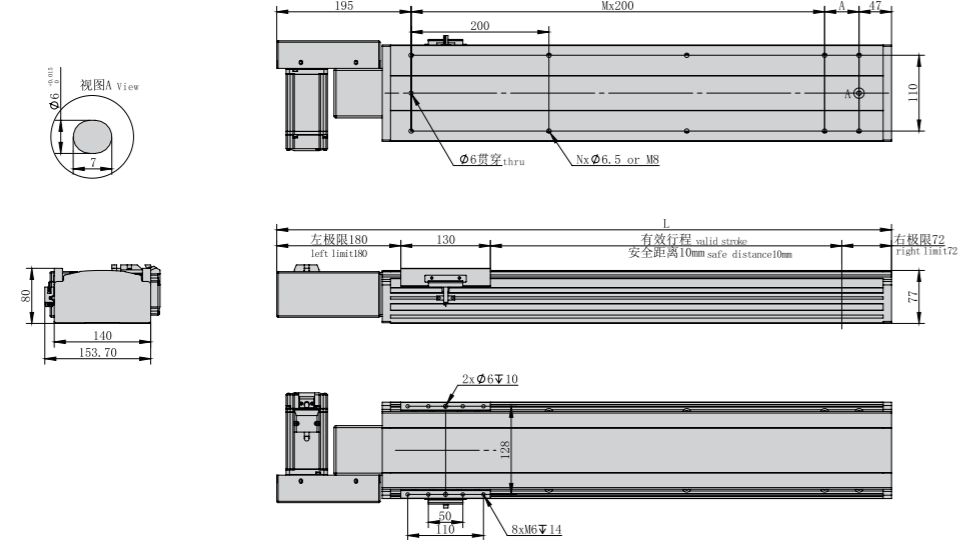
单位:Unit: mm

*不含电机重量。*Motor weight not included.

有效行程 Stroke	150	250	350	450	550	650	750	850	950	1050	1150	1250	1350	1450	1550	1650	1750	1850	1950	2050	2150	2250	2350	2450	2550	2650	2750	2850	2950	3050
L	459	559	659	759	859	959	1059	1159	1259	1359	1459	1559	1659	1759	1859	1959	2059	2159	2259	2359	2459	2559	2659	2759	2859	2959	3059	3159	3259	3359
A	100	200	100	200	100	200	100	200	100	200	100	200	100	200	100	200	100	200	100	200	100	200	100	200	100	200	100	200	100	200
N	6	6	8	8	10	10	12	12	14	14	16	16	18	18	20	20	22	22	24	24	26	26	28	28	30	30	32	32	34	34
M	1	1	2	2	3	3	4	4	5	5	6	6	7	7	8	8	9	9	10	10	11	11	12	12	13	13	14	14	15	15
KG	8	8.5	9	9.5	10	10.5	11	11.5	12	12.5	13	13.5	14	14.5	15	15.5	16	16.5	17	17.5	18	18.5	19	19.5	20	20.5	21	21.5	22	22.5

如有超长行程及定制需求, 请咨询我司业务。If you have extra long trip and custom requirements, please consult our business.

MR 电机外置右侧 Motor external right side



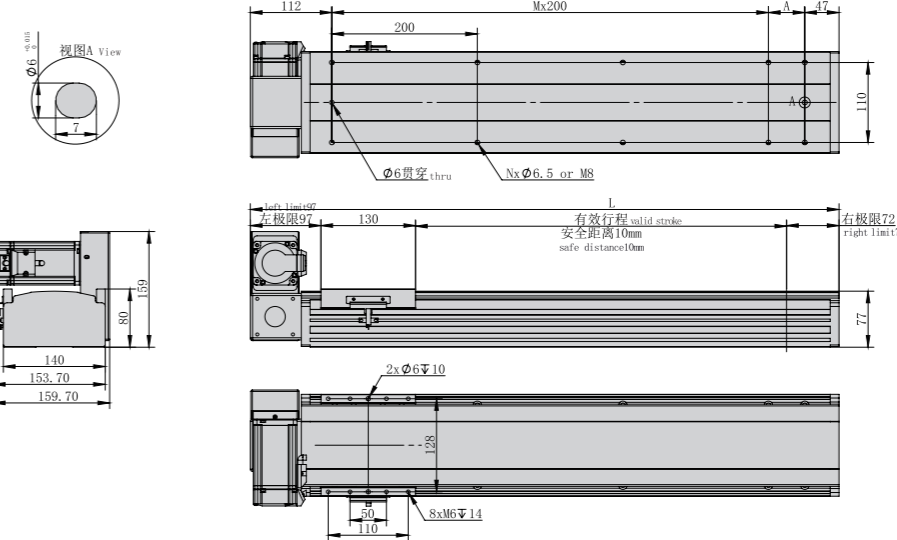
单位:Unit: mm

*不含电机重量。*Motor weight not included.

有效行程 Stroke	150	250	350	450	550	650	750	850	950	1050	1150	1250	1350	1450	1550	1650	1750	1850	1950	2050	2150	2250	2350	2450	2550	2650	2750	2850	2950	3050
L	542	642	742	842	942	1042	1142	1242	1342	1442	1542	1642	1742	1842	1942	2042	2142	2242	2342	2442	2542	2642	2742	2842	2942	3042	3142	3242	3342	3442
A	100	200	100	200	100	200	100	200	100	200	100	200	100	200	100	200	100	200	100	200	100	200	100	200	100	200	100	200	100	200
N	6	6	8	8	10	10	12	12	14	14	16	16	18	18	20	20	22	22	24	24	26	26	28	28	30	30	32	32	34	34
M	1	1	2	2	3	3	4	4	5	5	6	6	7	7	8	8	9	9	10	10	11	11	12	12	13	13	14	14	15	15
KG	8	8.5	9	9.5	10	10.5	11	11.5	12	12.5	13	13.5	14	14.5	15	15.5	16	16.5	17	17.5	18	18.5	19	19.5	20	20.5	21	21.5	22	22.5

如有超长行程及定制需求, 请咨询我司业务。If you have extra long trip and custom requirements, please consult our business.

LU 电机外置左上 Motor external upper left



单位:Unit: mm

*不含电机重量。*Motor weight not included.

有效行程 Stroke	150	250	350	450	550	650	750	850	950	1050	1150	1250	1350	1450	1550	1650	1750	1850	1950	2050	2150	2250	2350	2450	2550	2650	2750	2850	2950	3050
L	459	559	659	759	859	959	1059	1159	1259	1359	1459	1559	1659	1759	1859	1959	2059	2159	2259	2359	2459	2559	2659	2759	2859	2959	3059	3159	3259	3359
A	100	200	100	200	100	200	100	200	100	200	100	200	100	200	100	200	100	200	100	200	100	200	100	200	100	200	100	200	100	200
N	6	6	8	8	10	10	12	12	14	14	16	16	18	18	20	20	22	22	24	24	26	26	28	28	30	30	32	32	34	34
M	1	1	2	2	3	3	4	4	5	5	6	6	7	7	8	8	9	9	10	10	11	11	12	12	13	13	14	14	15	15
KG	8	8.5	9	9.5	10	10.5	11	11.5	12	12.5	13	13.5	14	14.5	15	15.5	16	16.5	17	17.5	18	18.5	19	19.5	20	20.5	21	21.5	22	22.5

如有超长行程及定制需求, 请咨询我司业务。If you have extra long trip and custom requirements, please consult our business.

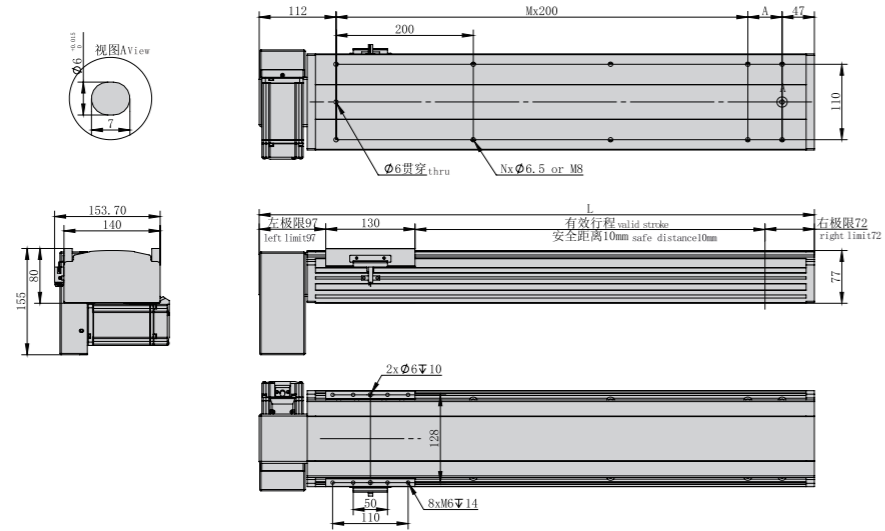
HNR-E
HNB-E
HFR
HNR
HCR
HNB
HCB
HNT
XYZ
参考资料 Reference data



电机外置右下/电机外置右上
Motor external lower right / Motor external upper right

RP 电机外置右下 Motor external lower right

单位:Unit:mm



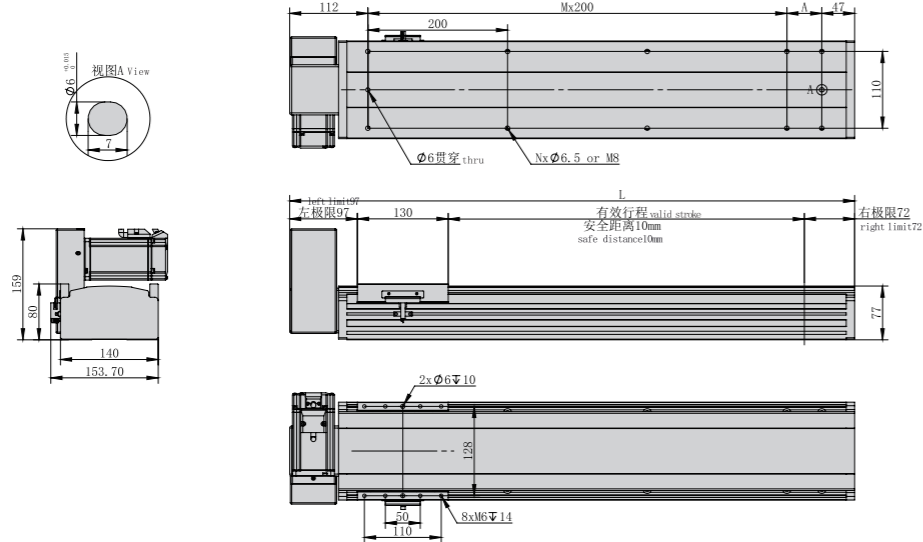
*不含电机重量。*Motor weight not included.

有效行程 Stroke	150	250	350	450	550	650	750	850	950	1050	1150	1250	1350	1450	1550	1650	1750	1850	1950	2050	2150	2250	2350	2450	2550	2650	2750	2850	2950	3050
L	459	559	659	759	859	959	1059	1159	1259	1359	1459	1559	1659	1759	1859	1959	2059	2159	2259	2359	2459	2559	2659	2759	2859	2959	3059	3159	3259	3359
A	100	200	100	200	100	200	100	200	100	200	100	200	100	200	100	200	100	200	100	200	100	200	100	200	100	200	100	200	100	200
N	6	6	8	8	10	10	12	12	14	14	16	16	18	18	20	20	22	22	24	24	26	26	28	28	30	30	32	32	34	34
M	1	1	2	2	3	3	4	4	5	5	6	6	7	7	8	8	9	9	10	10	11	11	12	12	13	13	14	14	15	15
KG	8	8.5	9	9.5	10	10.5	11	11.5	12	12.5	13	13.5	14	14.5	15	15.5	16	16.5	17	17.5	18	18.5	19	19.5	20	20.5	21	21.5	22	22.5

如有超长行程及定制需求,请咨询我司业务。If you have extra long trip and custom requirements, please consult our business.

RU 电机外置右上 Motor external upper right

单位:Unit:mm



*不含电机重量。*Motor weight not included.

有效行程 Stroke	150	250	350	450	550	650	750	850	950	1050	1150	1250	1350	1450	1550	1650	1750	1850	1950	2050	2150	2250	2350	2450	2550	2650	2750	2850	2950	3050
L	459	559	659	759	859	959	1059	1159	1259	1359	1459	1559	1659	1759	1859	1959	2059	2159	2259	2359	2459	2559	2659	2759	2859	2959	3059	3159	3259	3359
A	100	200	100	200	100	200	100	200	100	200	100	200	100	200	100	200	100	200	100	200	100	200	100	200	100	200	100	200	100	200
N	6	6	8	8	10	10	12	12	14	14	16	16	18	18	20	20	22	22	24	24	26	26	28	28	30	30	32	32	34	34
M	1	1	2	2	3	3	4	4	5	5	6	6	7	7	8	8	9	9	10	10	11	11	12	12	13	13	14	14	15	15
KG	8	8.5	9	9.5	10	10.5	11	11.5	12	12.5	13	13.5	14	14.5	15	15.5	16	16.5	17	17.5	18	18.5	19	19.5	20	20.5	21	21.5	22	22.5

如有超长行程及定制需求,请咨询我司业务。If you have extra long trip and custom requirements, please consult our business.

MEMO

- HNR-E
- HNB-E
- HFR
- HNR
- HCR
- HNB**
- HCB
- HNT
- XYZ
- 参考资料
Reference data



重复精度
Repeat Accuracy
±0.04 mm

此图仅供参考, 出货规格详见尺寸图面
This drawing is for reference only, Please refer to the size drawing for shipment specifications.

最大行程 Max stroke 3050mm

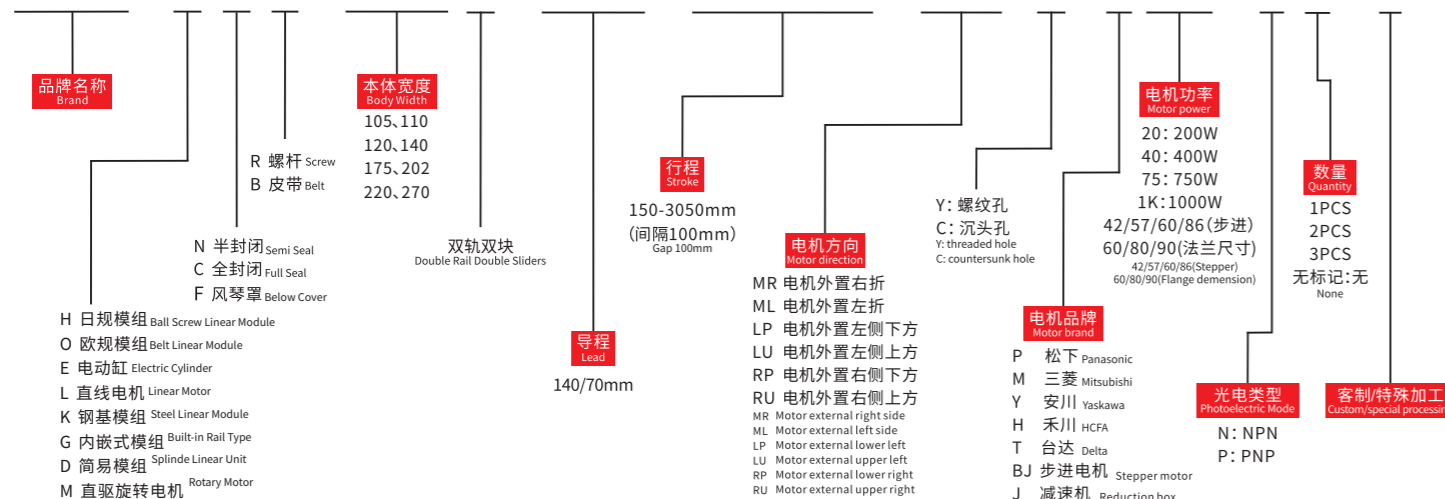
最高速度 Max speed 7000mm/s

马达容量 Motor output 750W

直线滑轨 Linear guide 20X15.5-2支

型号表达方式 Ordering method

TPA-HNB-175D-140-L3050-MR-Y-P75-N3-F



产品性能参数如下 Product performance parameters are as follows

电机功率 (W) Motor power (W)	750	
重复定位精度 (mm) Repeated positioning accuracy (mm)	±0.04	
减速比 (mm) Reduction ratio	1:1	1:2
规格 Spec	导程 (mm) Lead (mm)	140 70
最高速度 (mm/s) Maximum speed (mm/s)	7000	
电机额定转速 (RPM) Rated speed of motor (RPM)	3000	
最大可搬重量 Maximum Payload	30	60
标准行程 (mm) Stroke pitch (mm)	150~3050mm/100 间隔100 mm Pitch	
部品 Parts	基座材质 Material of base	硬质挤压铝材A1 Hard extruded aluminum A1
使用环境 Operating environment	0~40°C, 85%RH(无凝结) No condensation	

注1: 使用非上述功率电机时请依据实际参数推算。
Note 1: When using a motor with a power other than the above, please calculate according to the actual parameters.

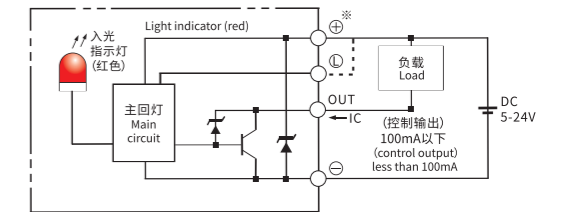
注2: 最高速度因行程和负载而异, 当螺杆细长比大于1:50时, 可能会因螺杆临界速度产生共振和抖动, 应适当下调运行速度, 一般螺杆每增长100mm, 速度应下调10~15%。
Note 2: The maximum speed varies with stroke and load. When the screw slenderness ratio is greater than 1:50, resonance and jitter may occur due to the critical speed of the screw, so the running speed should be reduced appropriately. Generally, the speed should be reduced by 10~15% for every 100mm increase of the screw.

容许负载力矩表 N.m Allowable overhang



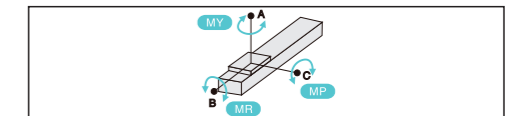
水平安装 Horizontal installation		A	B	C	侧面安装 Side mounting		A	B	C
负载 Load	10kg	2942	1133	1033	负载 Load	15kg	676	742	1933
	20kg	1430	547	498		25kg	390	428	1127
	30kg	926	350	320		35kg	269	294	781
	45kg	588	219	201		45kg	201	219	588

感应器连接图<原点及端点> Sensor layout



- HNR-E
- HNB-E
- HFR
- HNR
- HCR
- HNB**
- HCB
- HNT
- XYZ
- 参考资料 Reference data

静态容许负载惯量 Static loading moment



(单位Unit: N.m)	
MY	1032
MP	1034
MR	908

*力矩表所表示的数据, 代表重心。
The torque value in the chart indicate the center of gravity.

*符合型录规范的正常试用下, 保证寿命为10000公里。
Operation life is 10,000km when the product is using under the specified conditions.

*倒吊使用无法套用标准规范, 如有需求请咨询我司业务。
The standard specification cannot be applied to the use of inverted crane. Please consult our business if necessary.

搭配伺服马达一览表 Suitable motor brand

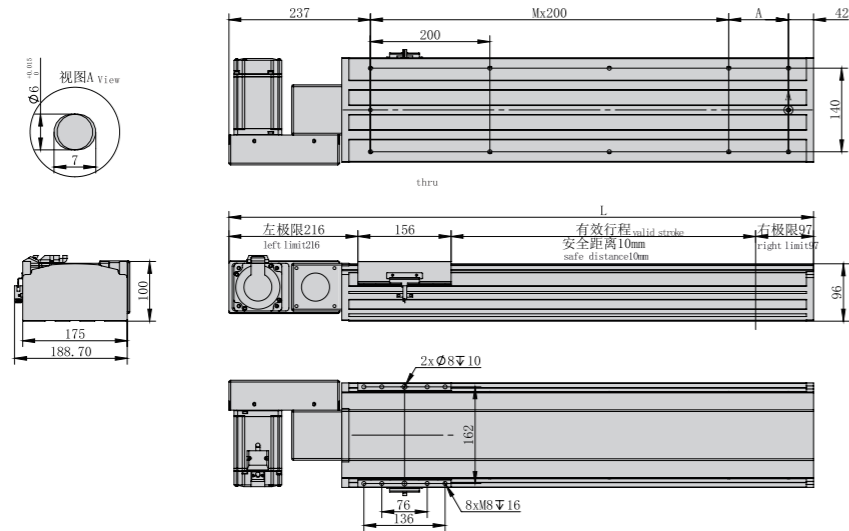
品牌 Brand	马达记号 Mark	刹车有无 Brake	马达容量 Motor capacity	电源电压 AC-Voltage	伺服马达型号 Servo motor model	驱动器型号 Driver Model
三菱 Mitsubishi	M	无刹车(水平式样) No brake (horizontal type)	750	220	HG-KN73J-S100	MR-JE-70A
松下 Panasonic	P	无刹车(水平式样) No brake (horizontal type)	750	220	MHMF082L1U2M	MCDLN35SE
台达 Delta	T	无刹车(水平式样) No brake (horizontal type)	750	220	ECM-B3M-C20807SS1	ASD-B3-0721-L



电机外置左侧/电机外置右侧
Motor external left side / Motor external right side

ML 电机外置左侧 Motor external left side

单位:Unit: mm



*不含电机重量。*Motor weight not included.

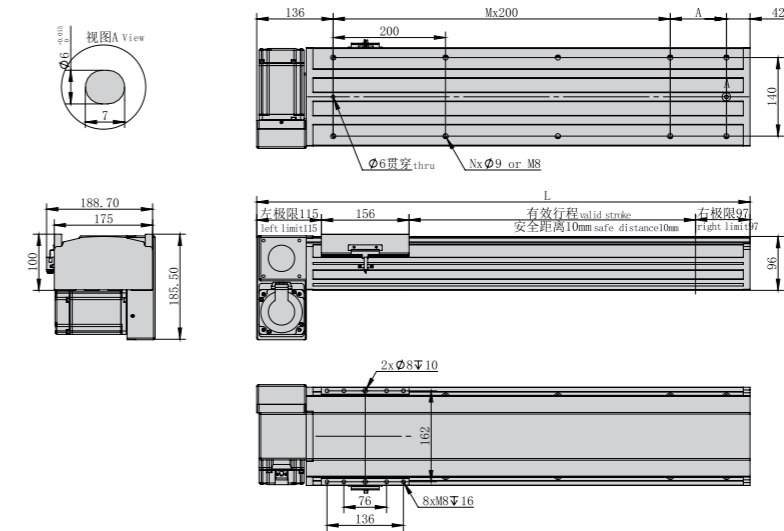
有效行程 Stroke	150	250	350	450	550	650	750	850	950	1050	1150	1250	1350	1450	1550	1650	1750	1850	1950	2050	2150	2250	2350	2450	2550	2650	2750	2850	2950	3050
L	629	729	829	929	1029	1129	1229	1329	1429	1529	1629	1729	1829	1929	2029	2129	2229	2329	2429	2529	2629	2729	2829	2929	3029	3129	3229	3329	3429	3529
A	150	50	150	50	150	50	150	50	150	50	150	50	150	50	150	50	150	50	150	50	150	50	150	50	150	50	150	50	150	50
N	6	8	8	10	10	12	12	14	14	16	16	18	18	20	20	22	22	24	24	26	26	28	28	30	30	32	32	34	34	36
M	1	2	2	3	3	4	4	5	5	6	6	7	7	8	8	9	9	10	10	11	11	12	12	13	13	14	14	15	15	16
KG	13	14	15	16	17	18	19	20	21	22	23	24	25	26	27	28	29	30	31	32	33	34	35	36	37	38	39	40	41	42

如有超长行程及定制需求,请咨询我司业务。If you have extra long trip and custom requirements, please consult our business.

电机外置左下/电机外置左上
Motor external lower left / Motor external upper left

LP 电机外置左下 Motor external lower left

单位:Unit: mm



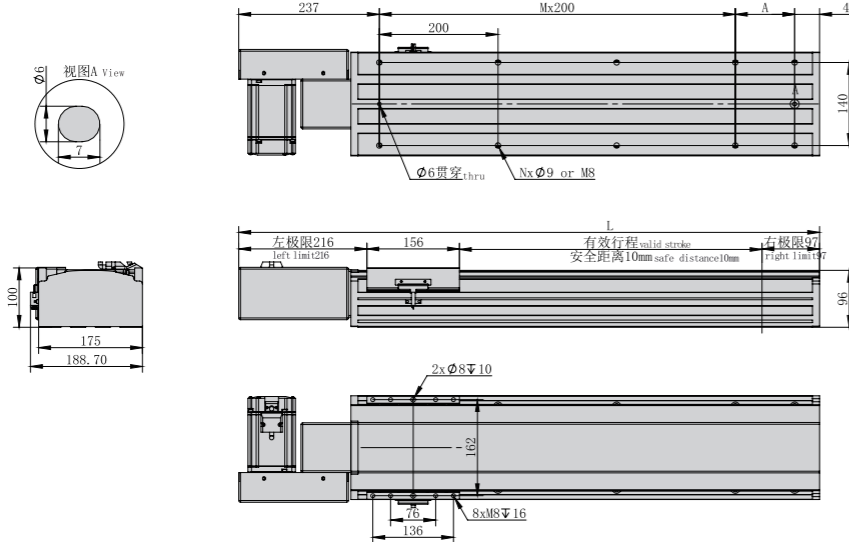
*不含电机重量。*Motor weight not included.

有效行程 Stroke	150	250	350	450	550	650	750	850	950	1050	1150	1250	1350	1450	1550	1650	1750	1850	1950	2050	2150	2250	2350	2450	2550	2650	2750	2850	2950	3050
L	528	628	728	828	928	1028	1128	1228	1328	1428	1528	1628	1728	1828	1928	2028	2128	2228	2328	2428	2528	2628	2728	2828	2928	3028	3128	3228	3328	3428
A	150	50	150	50	150	50	150	50	150	50	150	50	150	50	150	50	150	50	150	50	150	50	150	50	150	50	150	50	150	50
N	6	8	8	10	10	12	12	14	14	16	16	18	18	20	20	22	22	24	24	26	26	28	28	30	30	32	32	34	34	36
M	1	2	2	3	3	4	4	5	5	6	6	7	7	8	8	9	9	10	10	11	11	12	12	13	13	14	14	15	15	16
KG	13	14	15	16	17	18	19	20	21	22	23	24	25	26	27	28	29	30	31	32	33	34	35	36	37	38	39	40	41	42

如有超长行程及定制需求,请咨询我司业务。If you have extra long trip and custom requirements, please consult our business.

MR 电机外置右侧 Motor external right side

单位:Unit: mm



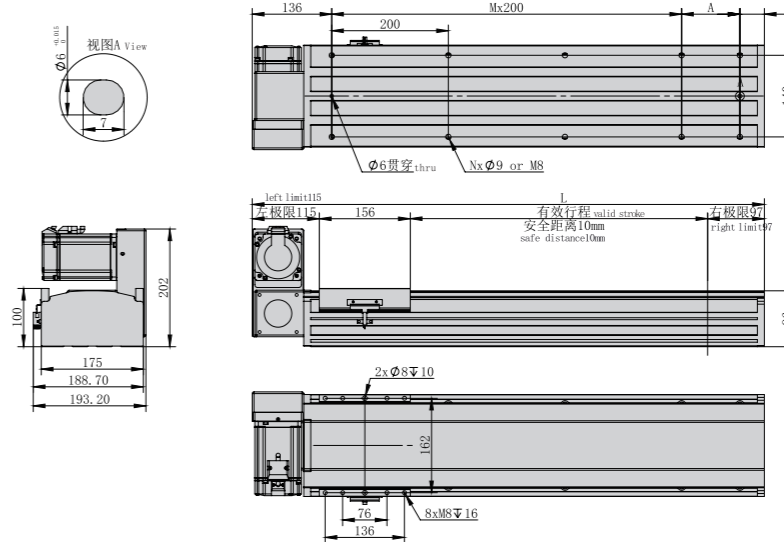
*不含电机重量。*Motor weight not included.

有效行程 Stroke	150	250	350	450	550	650	750	850	950	1050	1150	1250	1350	1450	1550	1650	1750	1850	1950	2050	2150	2250	2350	2450	2550	2650	2750	2850	2950	3050
L	629	729	829	929	1029	1129	1229	1329	1429	1529	1629	1729	1829	1929	2029	2129	2229	2329	2429	2529	2629	2729	2829	2929	3029	3129	3229	3329	3429	3529
A	150	50	150	50	150	50	150	50	150	50	150	50	150	50	150	50	150	50	150	50	150	50	150	50	150	50	150	50	150	50
N	6	8	8	10	10	12	12	14	14	16	16	18	18	20	20	22	22	24	24	26	26	28	28	30	30	32	32	34	34	36
M	1	2	2	3	3	4	4	5	5	6	6	7	7	8	8	9	9	10	10	11	11	12	12	13	13	14	14	15	15	16
KG	13	14	15	16	17	18	19	20	21	22	23	24	25	26	27	28	29	30	31	32	33	34	35	36	37	38	39	40	41	42

如有超长行程及定制需求,请咨询我司业务。If you have extra long trip and custom requirements, please consult our business.

LU 电机外置左上 Motor external upper left

单位:Unit: mm



*不含电机重量。*Motor weight not included.

有效行程 Stroke	150	250	350	450	550	650	750	850	950	1050	1150	1250	1350	1450	1550	1650	1750	1850	1950	2050	2150	2250	2350	2450	2550	2650	2750	2850	2950	3050
L	528	628	728	828	928	1028	1128	1228	1328	1428	1528	1628	1728	1828	1928	2028	2128	2228	2328	2428	2528	2628	2728	2828	2928	3028	3128	3228	3328	3428
A	150	50	150	50	150	50	150	50	150	50	150	50	150	50	150	50	150	50	150	50	150	50	150	50	150	50	150	50	150	50
N	6	8	8	10	10	12	12	14	14	16	16	18	18	20	20	22	22	24	24	26	26	28	28	30	30	32	32	34	34	36
M	1	2	2	3	3	4	4	5	5	6	6	7	7	8	8	9	9	10	10	11	11	12	12	13	13	14	14	15	15	16
KG	13	14	15	16	17	18	19	20	21	22	23	24	25	26	27	28	29	30	31	32	33	34	35	36	37	38	39	40	41	42

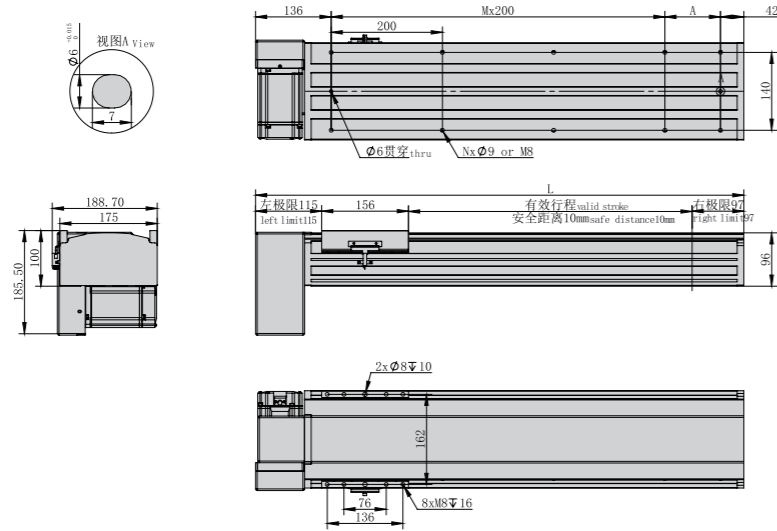
如有超长行程及定制需求,请咨询我司业务。If you have extra long trip and custom requirements, please consult our business.

HNR-E
HNB-E
HFR
HNR
HCR
HNB
HCB
HNT
XYZ
参考资料 Reference data



电机外置右下/电机外置右上
Motor external lower right / Motor external upper right

RP 电机外置右下 Motor external lower right



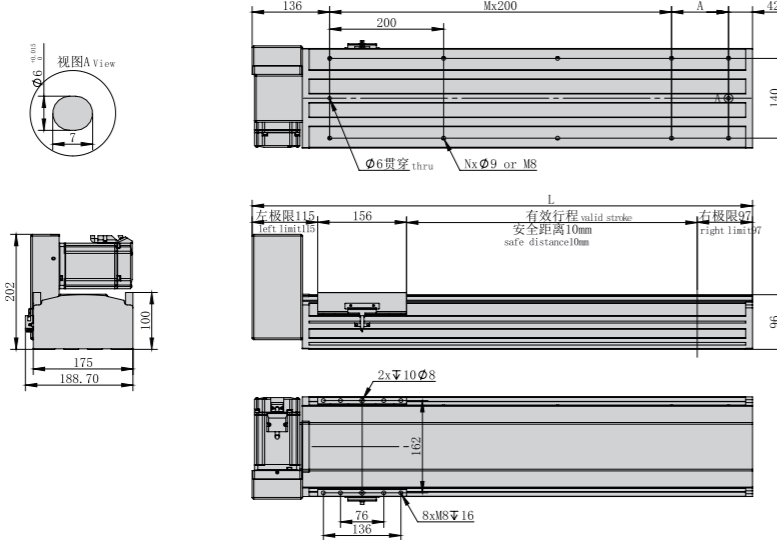
单位:Unit: mm

*不含电机重量。*Motor weight not included.

有效行程 Stroke	150	250	350	450	550	650	750	850	950	1050	1150	1250	1350	1450	1550	1650	1750	1850	1950	2050	2150	2250	2350	2450	2550	2650	2750	2850	2950	3050
L	528	628	728	828	928	1028	1128	1228	1328	1428	1528	1628	1728	1828	1928	2028	2128	2228	2328	2428	2528	2628	2728	2828	2928	3028	3128	3228	3328	3428
A	150	50	150	50	150	50	150	50	150	50	150	50	150	50	150	50	150	50	150	50	150	50	150	50	150	50	150	50	150	50
N	6	8	8	10	10	12	12	14	14	16	16	18	18	20	20	22	22	24	24	26	26	28	28	30	30	32	32	34	34	36
M	1	2	2	3	3	4	4	5	5	6	6	7	7	8	8	9	9	10	10	11	11	12	12	13	13	14	14	15	15	16
KG	13	14	15	16	17	18	19	20	21	22	23	24	25	26	27	28	29	30	31	32	33	34	35	36	37	38	39	40	41	42

如有超长行程及定制需求,请咨询我司业务。If you have extra long trip and custom requirements, please consult our business.

RU 电机外置右上 Motor external upper right



单位:Unit: mm

*不含电机重量。*Motor weight not included.

有效行程 Stroke	150	250	350	450	550	650	750	850	950	1050	1150	1250	1350	1450	1550	1650	1750	1850	1950	2050	2150	2250	2350	2450	2550	2650	2750	2850	2950	3050
L	528	628	728	828	928	1028	1128	1228	1328	1428	1528	1628	1728	1828	1928	2028	2128	2228	2328	2428	2528	2628	2728	2828	2928	3028	3128	3228	3328	3428
A	150	50	150	50	150	50	150	50	150	50	150	50	150	50	150	50	150	50	150	50	150	50	150	50	150	50	150	50	150	50
N	6	8	8	10	10	12	12	14	14	16	16	18	18	20	20	22	22	24	24	26	26	28	28	30	30	32	32	34	34	36
M	1	2	2	3	3	4	4	5	5	6	6	7	7	8	8	9	9	10	10	11	11	12	12	13	13	14	14	15	15	16
KG	13	14	15	16	17	18	19	20	21	22	23	24	25	26	27	28	29	30	31	32	33	34	35	36	37	38	39	40	41	42

如有超长行程及定制需求,请咨询我司业务。If you have extra long trip and custom requirements, please consult our business.

MEMO

- HNR-E
- HNB-E
- HFR
- HNR
- HCR
- HNB**
- HCB
- HNT
- XYZ
- 参考资料
Reference data



重复精度
Repeat Accuracy
±0.04 mm

此图仅供参考, 出货规格详见尺寸图面
This drawing is for reference only, Please refer to the size drawing for shipment specifications.

最大行程
Max stroke 3050mm

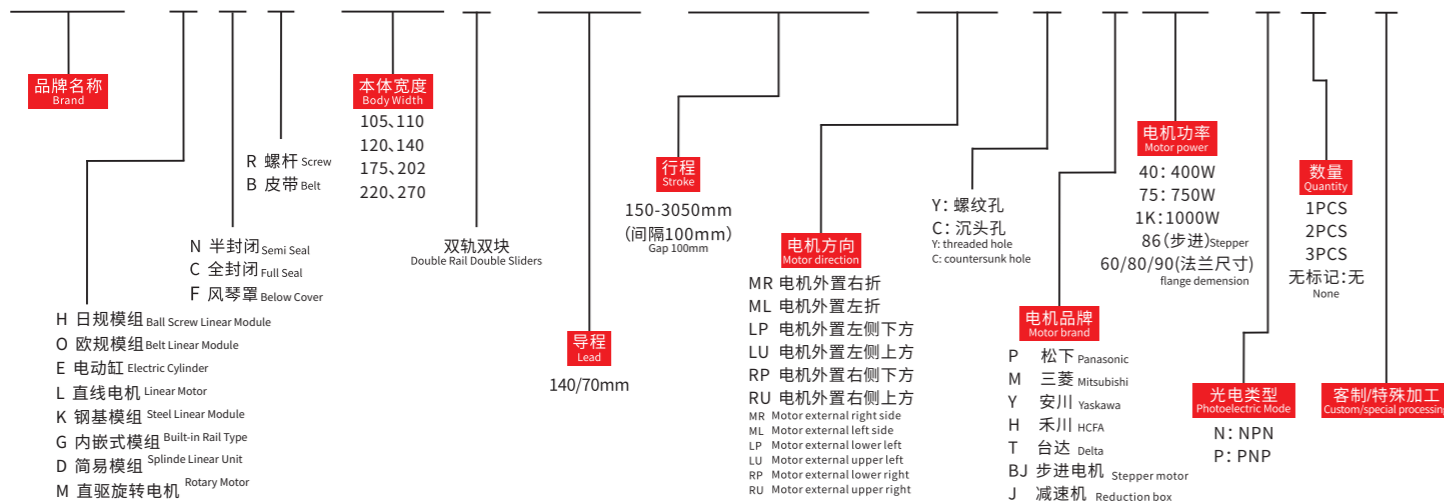
最高速度
Max speed 7000mm/s

马达容量
Motor output 750W

直线滑轨
Linear guide 25X22-2支

型号表达方式 Ordering method

TPA-HNB-202D-140-L3050-MR-Y-P75-N3-F



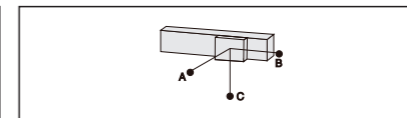
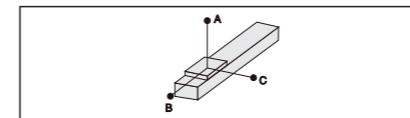
产品性能参数如下 Product performance parameters are as follows

电机功率 (W) Motor power (W)	750	
重复定位精度 (mm) Repeated positioning accuracy (mm)	±0.04	
减速比 (mm) Reduction ratio	1:1	1:2
规格 Spec	导程 (mm) Lead (mm)	140 70
最高速度 (mm/s) Maximum speed (mm/s)	7000	
电机额定转速 (RPM) Rated speed of motor (RPM)	3000	
最大可搬重量 Maximum Payload	40	80
标准行程 (mm) Stroke pitch (mm)	150~3050mm/100 间隔100 mm Pitch	
部品 Parts	基座材质 Material of base	硬质挤压铝材A1 Hard extruded aluminum A1
使用环境 Operating environment	0~40°C, 85%RH(无凝结) No condensation	

注1: 使用非上述功率电机时请依据实际参数推算。
Note 1: When using a motor with a power other than the above, please calculate according to the actual parameters.

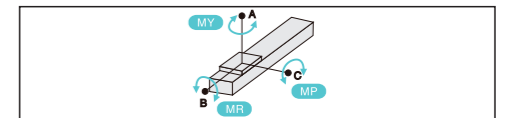
注2: 最高速度因行程和负载而异, 当螺杆细长比大于1:50时, 可能会因螺杆临界速度产生共振和抖动, 应适当下调运行速度, 一般螺杆每增长100mm, 速度应下调10~15%。
Note 2: The maximum speed varies with stroke and load. When the screw slenderness ratio is greater than 1:50, resonance and jitter may occur due to the critical speed of the screw, so the running speed should be reduced appropriately. Generally, the speed should be reduced by 10~15% for every 100mm increase of the screw.

容许负载力矩表 N.m Allowable overhang



(单位Unit:mm)				(单位Unit:mm)			
水平安装 Horizontal installation	A	B	C	侧面安装 Side mounting	A	B	C
负载 Load	45kg	1588	600	40kg	500	685	1805
	65kg	1052	328	60kg	315	430	1152
	85kg	768	281	85kg	206	281	768

静态容许负载惯量 Static loading moment



(单位Unit:N.m)	
MY	2052
MP	2052
MR	1810

*力矩表所表示的数据, 代表重心。
The torque value in the chart indicate the center of gravity.

*符合型录规范的正常试用下, 保证寿命为10000公里。
Operation life is 10,000km when the product is using under the specified conditions.

*倒吊使用无法套用标准规范, 如有需求请咨询我司业务。
The standard specification cannot be applied to the use of inverted crane. Please consult our business if necessary.

搭配伺服马达一览表 Suitable motor brand

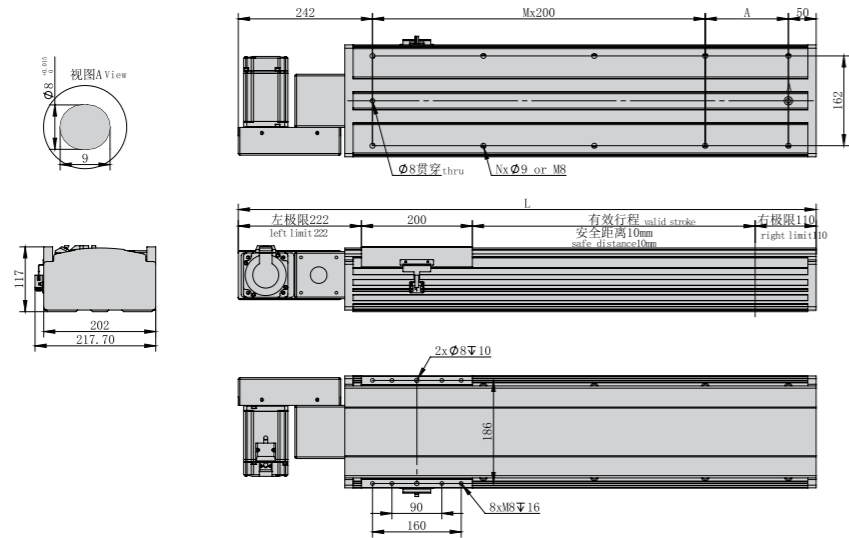
品牌 Brand	马达记号 Mark	刹车有无 Brake	马达容量 Motor capacity	电源电压 AC-Voltage	伺服马达型号 Servo motor model	驱动器型号 Driver Model
三菱 Mitsubishi	M	无刹车(水平式样) No brake (horizontal type)	750	220	HG-KN73J-S100	MR-JE-70A
松下 Panasonic	P	无刹车(水平式样) No brake (horizontal type)	750	220	MHMF082L1U2M	MCDLN35SE
台达 Delta	T	无刹车(水平式样) No brake (horizontal type)	750	220	ECM-B3M-C20807SS1	ASD-B3-0721-L



电机外置左侧/电机外置右侧
Motor external left side / Motor external right side

ML 电机外置左侧 Motor external left side

单位:Unit: mm



*不含电机重量。*Motor weight not included.

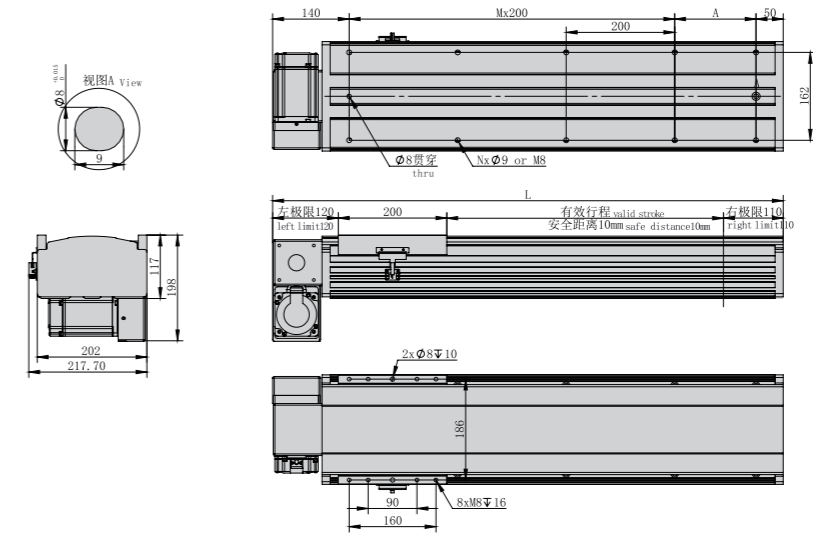
有效行程 Stroke	150	250	350	450	550	650	750	850	950	1050	1150	1250	1350	1450	1550	1650	1750	1850	1950	2050	2150	2250	2350	2450	2550	2650	2750	2850	2950	3050
L	692	792	892	992	1092	1192	1292	1392	1492	1592	1692	1792	1892	1992	2092	2192	2292	2392	2492	2592	2692	2792	2892	2992	3092	3192	3292	3392	3492	3592
A	200	100	200	100	200	100	200	100	200	100	200	100	200	100	200	100	200	100	200	100	200	100	200	100	200	100	200	100	200	100
N	6	8	8	10	10	12	12	14	14	16	16	18	18	20	20	22	22	24	24	26	26	28	28	30	30	32	32	34	34	36
M	1	2	2	3	3	4	4	5	5	6	6	7	7	8	8	9	9	10	10	11	11	12	12	13	13	14	14	15	15	16
KG	21	22.5	24	25.5	27	28.5	30	31.5	33	34.5	36	37.5	39	40.5	42	43.5	45	46.5	48	49.5	51	52.5	54	55.5	57	58.5	60	61.5	63	64.5

如有超长行程及定制需求, 请咨询我司业务。If you have extra long trip and custom requirements, please consult our business.

电机外置左下/电机外置左上
Motor external lower left / Motor external upper left

LP 电机外置左下 Motor external lower left

单位:Unit: mm



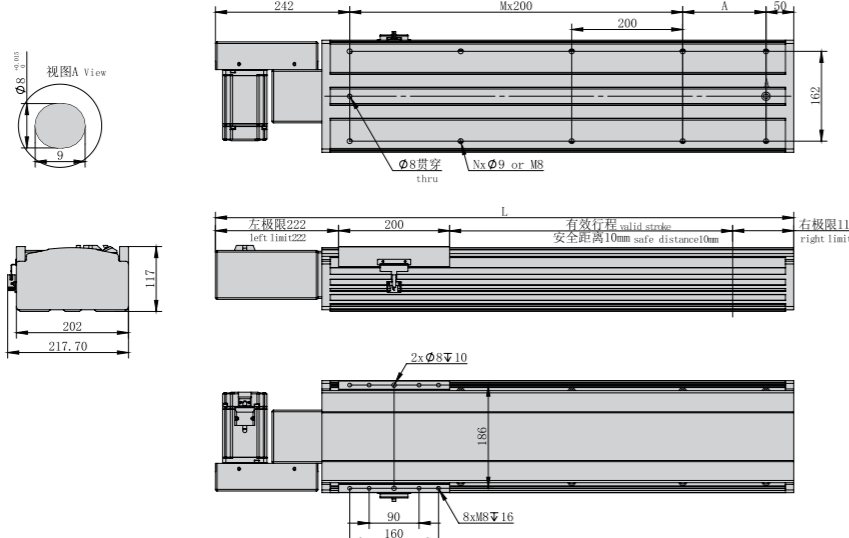
*不含电机重量。*Motor weight not included.

有效行程 Stroke	150	250	350	450	550	650	750	850	950	1050	1150	1250	1350	1450	1550	1650	1750	1850	1950	2050	2150	2250	2350	2450	2550	2650	2750	2850	2950	3050
L	590	690	790	890	990	1090	1190	1290	1390	1490	1590	1690	1790	1890	1990	2090	2190	2290	2390	2490	2590	2690	2790	2890	2990	3090	3190	3290	3390	3490
A	200	100	200	100	200	100	200	100	200	100	200	100	200	100	200	100	200	100	200	100	200	100	200	100	200	100	200	100	200	100
N	6	8	8	10	10	12	12	14	14	16	16	18	18	20	20	22	22	24	24	26	26	28	28	30	30	32	32	34	34	36
M	1	2	2	3	3	4	4	5	5	6	6	7	7	8	8	9	9	10	10	11	11	12	12	13	13	14	14	15	15	16
KG	21	22.5	24	25.5	27	28.5	30	31.5	33	34.5	36	37.5	39	40.5	42	43.5	45	46.5	48	49.5	51	52.5	54	55.5	57	58.5	60	61.5	63	64.5

如有超长行程及定制需求, 请咨询我司业务。If you have extra long trip and custom requirements, please consult our business.

MR 电机外置右侧 Motor external right side

单位:Unit: mm



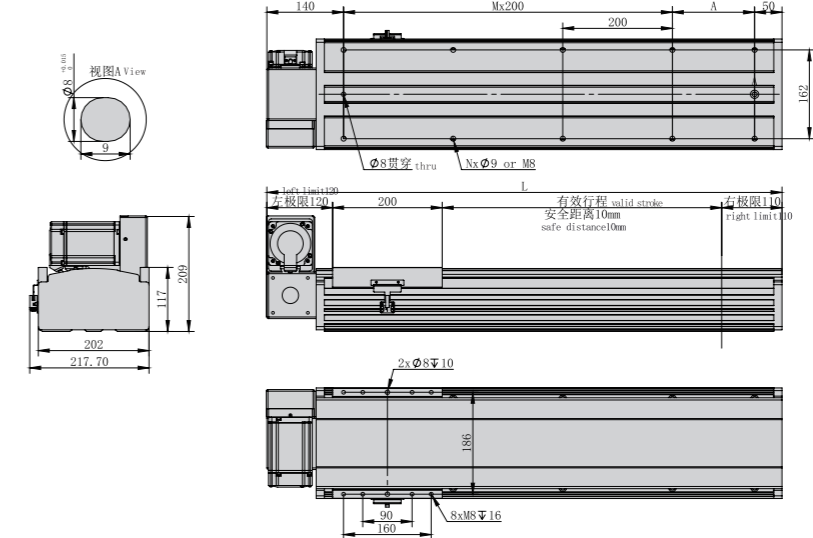
*不含电机重量。*Motor weight not included.

有效行程 Stroke	150	250	350	450	550	650	750	850	950	1050	1150	1250	1350	1450	1550	1650	1750	1850	1950	2050	2150	2250	2350	2450	2550	2650	2750	2850	2950	3050
L	692	792	892	992	1092	1192	1292	1392	1492	1592	1692	1792	1892	1992	2092	2192	2292	2392	2492	2592	2692	2792	2892	2992	3092	3192	3292	3392	3492	3592
A	200	100	200	100	200	100	200	100	200	100	200	100	200	100	200	100	200	100	200	100	200	100	200	100	200	100	200	100	200	100
N	6	8	8	10	10	12	12	14	14	16	16	18	18	20	20	22	22	24	24	26	26	28	28	30	30	32	32	34	34	36
M	1	2	2	3	3	4	4	5	5	6	6	7	7	8	8	9	9	10	10	11	11	12	12	13	13	14	14	15	15	16
KG	21	22.5	24	25.5	27	28.5	30	31.5	33	34.5	36	37.5	39	40.5	42	43.5	45	46.5	48	49.5	51	52.5	54	55.5	57	58.5	60	61.5	63	64.5

如有超长行程及定制需求, 请咨询我司业务。If you have extra long trip and custom requirements, please consult our business.

LU 电机外置左上 Motor external upper left

单位:Unit: mm



*不含电机重量。*Motor weight not included.

有效行程 Stroke	150	250	350	450	550	650	750	850	950	1050	1150	1250	1350	1450	1550	1650	1750	1850	1950	2050	2150	2250	2350	2450	2550	2650	2750	2850	2950	3050
L	590	690	790	890	990	1090	1190	1290	1390	1490	1590	1690	1790	1890	1990	2090	2190	2290	2390	2490	2590	2690	2790	2890	2990	3090	3190	3290	3390	3490
A	200	100	200	100	200	100	200	100	200	100	200	100	200	100	200	100	200	100	200	100	200	100	200	100	200	100	200	100	200	100
N	6	8	8	10	10	12	12	14	14	16	16	18	18	20	20	22	22	24	24	26	26	28	28	30	30	32	32	34	34	36
M	1	2	2	3	3	4	4	5	5	6	6	7	7	8	8	9	9	10	10	11	11	12	12	13	13	14	14	15	15	16
KG	21	22.5	24	25.5	27	28.5	30	31.5	33	34.5	36	37.5	39	40.5	42	43.5	45	46.5	48	49.5	51	52.5	54	55.5	57	58.5	60	61.5	63	64.5

如有超长行程及定制需求, 请咨询我司业务。If you have extra long trip and custom requirements, please consult our business.

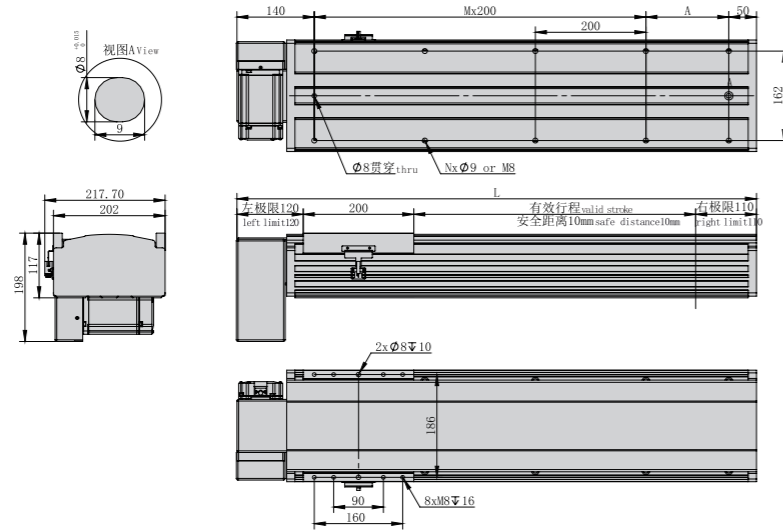
- HNR-E
- HNB-E
- HFR
- HNR
- HCR
- HNB**
- HCB
- HNT
- XYZ
- 参考资料
Reference data



电机外置右下/电机外置右上
Motor external lower right / Motor external upper right

RP 电机外置右下 Motor external lower right

单位:Unit:mm



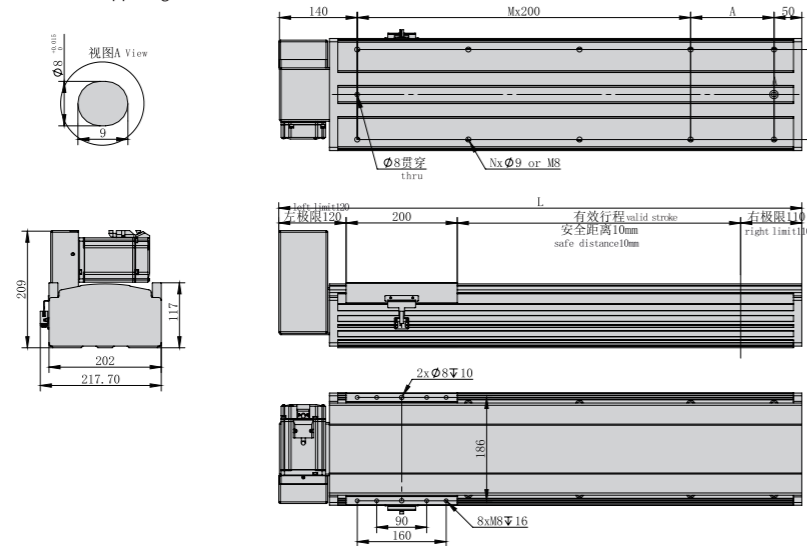
*不含电机重量。*Motor weight not included.

有效行程 Stroke	150	250	350	450	550	650	750	850	950	1050	1150	1250	1350	1450	1550	1650	1750	1850	1950	2050	2150	2250	2350	2450	2550	2650	2750	2850	2950	3050
L	590	690	790	890	990	1090	1190	1290	1390	1490	1590	1690	1790	1890	1990	2090	2190	2290	2390	2490	2590	2690	2790	2890	2990	3090	3190	3290	3390	3490
A	200	100	200	100	200	100	200	100	200	100	200	100	200	100	200	100	200	100	200	100	200	100	200	100	200	100	200	100	200	100
N	6	8	8	10	10	12	12	14	14	16	16	18	18	20	20	22	22	24	24	26	26	28	28	30	30	32	32	34	34	36
M	1	2	2	3	3	4	4	5	5	6	6	7	7	8	8	9	9	10	10	11	11	12	12	13	13	14	14	15	15	16
KG	21	22.5	24	25.5	27	28.5	30	31.5	33	34.5	36	37.5	39	40.5	42	43.5	45	46.5	48	49.5	51	52.5	54	55.5	57	58.5	60	61.5	63	64.5

如有超长行程及定制需求,请咨询我司业务。If you have extra long trip and custom requirements, please consult our business.

RU 电机外置右上 Motor external upper right

单位:Unit:mm



*不含电机重量。*Motor weight not included.

有效行程 Stroke	150	250	350	450	550	650	750	850	950	1050	1150	1250	1350	1450	1550	1650	1750	1850	1950	2050	2150	2250	2350	2450	2550	2650	2750	2850	2950	3050
L	590	690	790	890	990	1090	1190	1290	1390	1490	1590	1690	1790	1890	1990	2090	2190	2290	2390	2490	2590	2690	2790	2890	2990	3090	3190	3290	3390	3490
A	200	100	200	100	200	100	200	100	200	100	200	100	200	100	200	100	200	100	200	100	200	100	200	100	200	100	200	100	200	100
N	6	8	8	10	10	12	12	14	14	16	16	18	18	20	20	22	22	24	24	26	26	28	28	30	30	32	32	34	34	36
M	1	2	2	3	3	4	4	5	5	6	6	7	7	8	8	9	9	10	10	11	11	12	12	13	13	14	14	15	15	16
KG	21	22.5	24	25.5	27	28.5	30	31.5	33	34.5	36	37.5	39	40.5	42	43.5	45	46.5	48	49.5	51	52.5	54	55.5	57	58.5	60	61.5	63	64.5

如有超长行程及定制需求,请咨询我司业务。If you have extra long trip and custom requirements, please consult our business.

MEMO

- HNR-E
- HNB-E
- HFR
- HNR
- HCR
- HNB**
- HC
- HNT
- XYZ
- 参考资料
Reference data



重复精度
Repeat Accuracy
±0.04 mm

此图仅供参考, 出货规格详见尺寸图面
This drawing is for reference only, Please refer to the size drawing for shipment specifications.

最大行程
Max stroke 3050mm

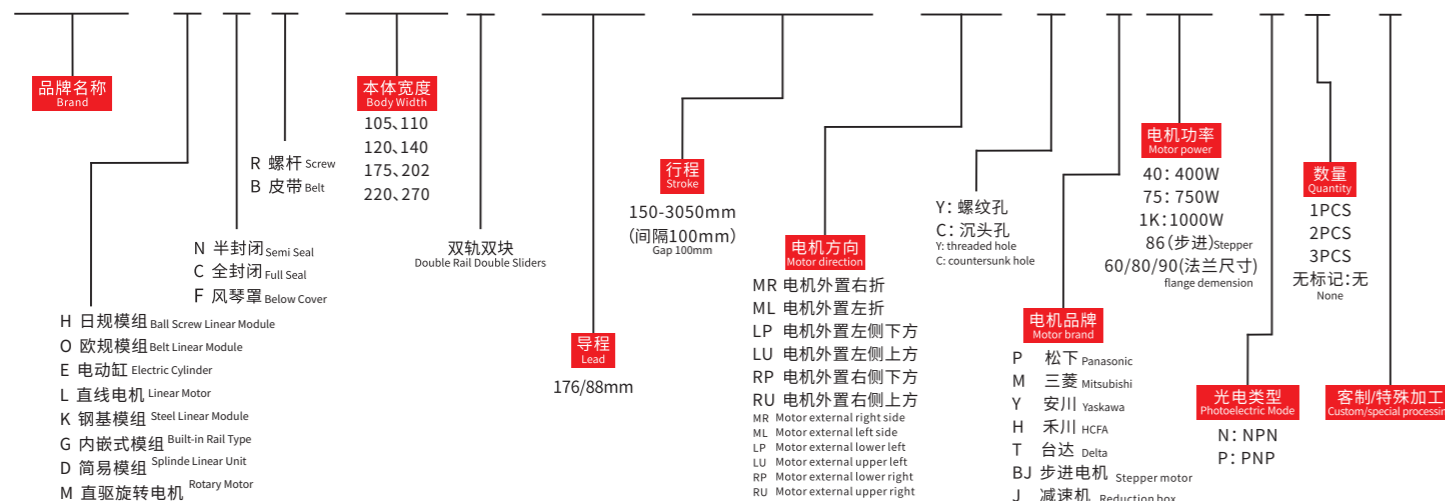
最高速度
Max speed 8800mm/s

马达容量
Motor output 1000W

直线滑轨
Linear guide 25X22-2支

型号表达方式 Ordering method

TPA-HNB-220D-176-L3050-MR-Y-P1K-N3-F



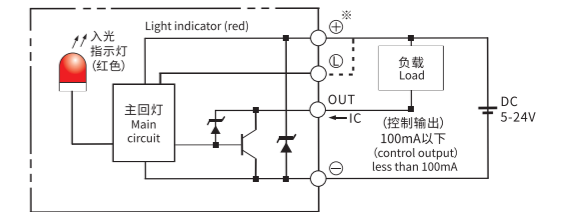
产品性能参数如下 Product performance parameters are as follows

电机功率 (W) Motor power (W)	1000	
重复定位精度 (mm) Repeated positioning accuracy (mm)	±0.04	
减速比 (mm) Reduction ratio	1:1	1:2
规格 Spec	导程 (mm) Lead (mm)	176 88
最高速度 (mm/s) Maximum speed (mm/s)	8800	
电机额定转速 (RPM) Rated speed of motor (RPM)	3000	
最大可搬重量 Maximum Payload	50	100
标准行程 (mm) Stroke pitch (mm)	150~3050mm/100 间隔100 mm Pitch	
部品 Parts	基座材质 Material of base	硬质挤压铝材A1 Hard extruded aluminum A1
使用环境 Operating environment	0~40°C, 85%RH(无凝结) No condensation	

注1: 使用非上述功率电机时请依据实际参数推算。
Note 1: When using a motor with a power other than the above, please calculate according to the actual parameters.

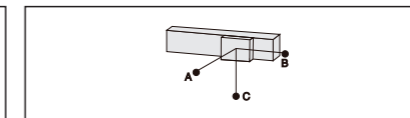
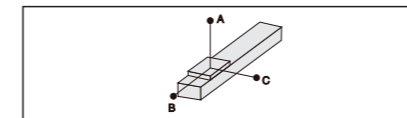
注2: 最高速度因行程和负载而异, 当螺杆细长比大于1:50时, 可能会因螺杆临界速度产生共振和抖动, 应适当下调运行速度, 一般螺杆每增长100mm, 速度应下调10~15%。
Note 2: The maximum speed varies with stroke and load. When the screw slenderness ratio is greater than 1:50, resonance and jitter may occur due to the critical speed of the screw, so the running speed should be reduced appropriately. Generally, the speed should be reduced by 10~15% for every 100mm increase of the screw.

感应器连接图<原点及端点> Sensor layout



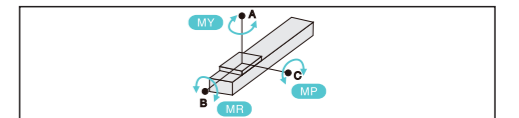
- HNR-E
- HNB-E
- HFR
- HNR
- HCR
- HNB**
- HCB
- HNT
- XYZ
- 参考资料 Reference data

容许负载力矩表 N.m Allowable overhang



(单位Unit:mm)				(单位Unit:mm)			
水平安装 Horizontal installation	A	B	C	侧面安装 Side mounting	A	B	C
负载 Load	45kg	3444	1015	45kg	1410	925	3435
	65kg	2460	725	65kg	1010	664	2455
	85kg	1800	550	85kg	770	500	1886

静态容许负载惯量 Static loading moment



(单位Unit:N.m)	
MY	2052
MP	2052
MR	1810

*力矩表所表示的数据, 代表重心。
The torque value in the chart indicate the center of gravity.

*符合型录规范的正常试用下, 保证寿命为10000公里。
Operation life is 10,000km when the product is using under the specified conditions.

*倒吊使用无法套用标准规范, 如有需求请咨询我司业务。
The standard specification cannot be applied to the use of inverted crane. Please consult our business if necessary.

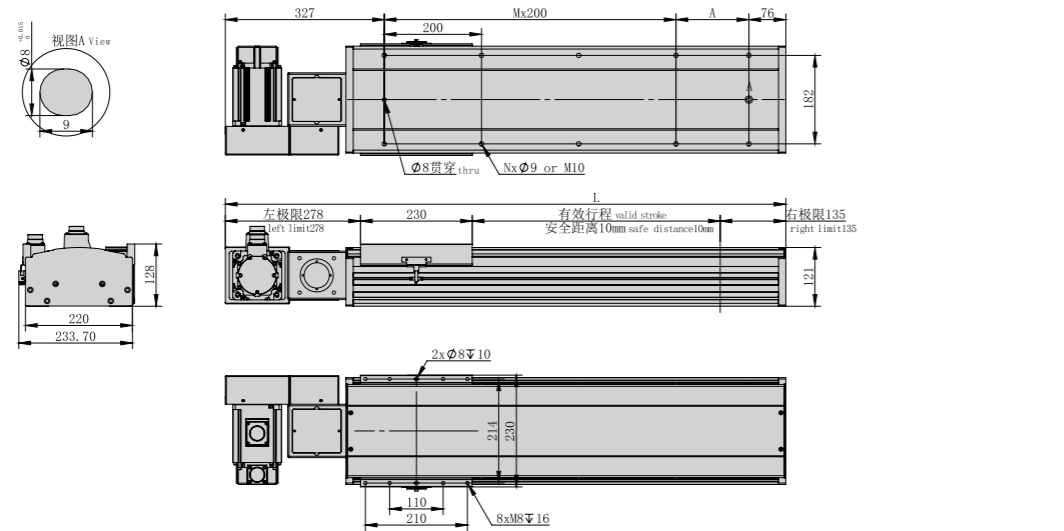
搭配伺服马达一览表 Suitable motor brand

品牌 Brand	马达记号 Mark	刹车有无 Brake	马达容量 Motor capacity	电源电压 AC-Voltage	伺服马达型号 Servo motor model	驱动器型号 Driver Model
三菱 Mitsubishi	M	无刹车(水平式样) No brake (horizontal type)	750	220	HG-KN73J-S100	MR-JE-70A
松下 Panasonic	P	无刹车(水平式样) No brake (horizontal type)	750	220	MHMF082L1U2M	MCDLN35SE
台达 Delta	T	无刹车(水平式样) No brake (horizontal type)	750	220	ECM-B3M-C20807SS1	ASD-B3-0721-L



电机外置左侧/电机外置右侧
Motor external left side / Motor external right side

ML 电机外置左侧 Motor external left side



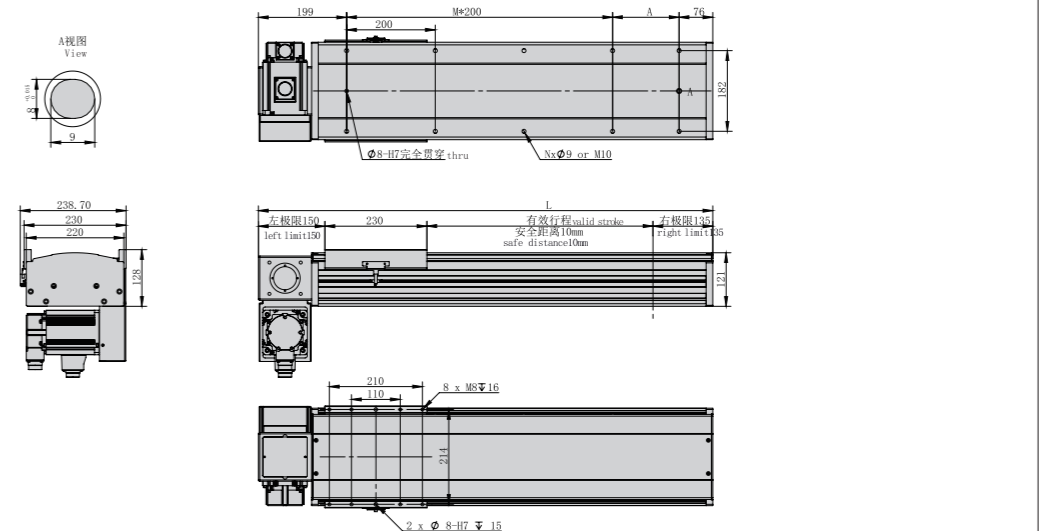
*不含电机重量。*Motor weight not included.

有效行程 Stroke	150	250	350	450	550	650	750	850	950	1050	1150	1250	1350	1450	1550	1650	1750	1850	1950	2050	2150	2250	2350	2450	2550	2650	2750	2850	2950	3050
L	803	903	1003	1103	1203	1303	1403	1503	1603	1703	1803	1903	2003	2103	2203	2303	2403	2503	2603	2703	2803	2903	3003	3103	3203	3303	3403	3503	3603	3703
A	200	100	200	100	200	100	200	100	200	100	200	100	200	100	200	100	200	100	200	100	200	100	200	100	200	100	200	100	200	100
N	6	8	8	10	10	12	12	14	14	16	16	18	18	20	20	22	22	24	24	26	26	28	28	30	30	32	32	34	34	36
M	2	2	3	3	4	4	5	5	6	6	7	7	8	8	9	9	10	10	11	11	12	12	13	13	14	14	15	15	16	16
KG	26.5	28	29.5	31	32.5	34	35.5	37	38.5	40	41.5	43	44.5	46	47.5	49	50.5	52	53.5	55	56.5	58	59.5	61	62.5	64	65.5	67	68.5	70

如有超长行程及定制需求,请咨询我司业务。If you have extra long trip and custom requirements, please consult our business.

电机外置左下/电机外置左上
Motor external lower left / Motor external upper left

LP 电机外置左下 Motor external lower left

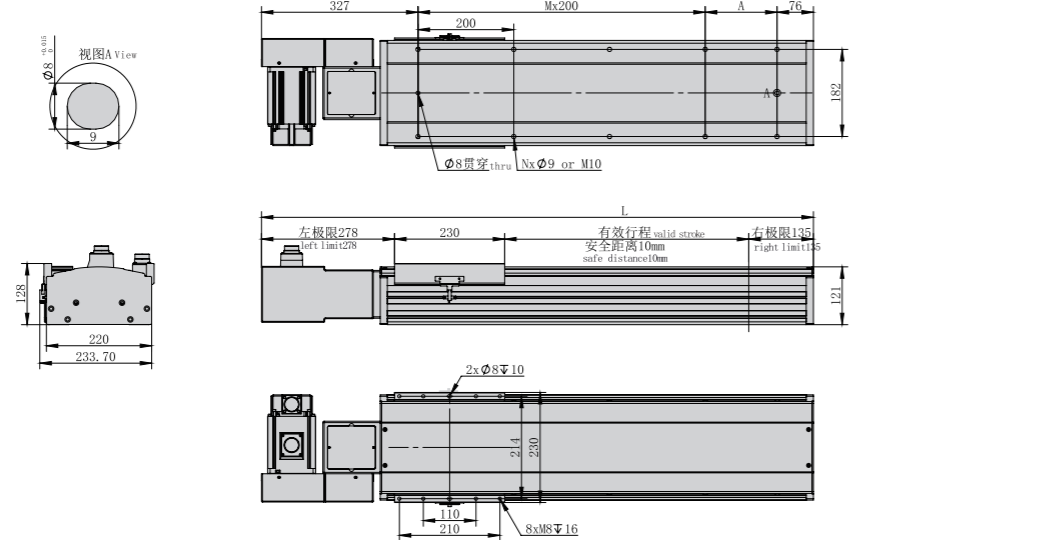


*不含电机重量。*Motor weight not included.

有效行程 Stroke	150	250	350	450	550	650	750	850	950	1050	1150	1250	1350	1450	1550	1650	1750	1850	1950	2050	2150	2250	2350	2450	2550	2650	2750	2850	2950	3050
L	675	775	875	975	1075	1175	1275	1375	1475	1575	1675	1775	1875	1975	2075	2175	2275	2375	2475	2575	2675	2775	2875	2975	3075	3175	3275	3375	3475	3575
A	200	100	200	100	200	100	200	100	200	100	200	100	200	100	200	100	200	100	200	100	200	100	200	100	200	100	200	100	200	100
N	6	8	8	10	10	12	12	14	14	16	16	18	18	20	20	22	22	24	24	26	26	28	28	30	30	32	32	34	34	36
M	2	2	3	3	4	4	5	5	6	6	7	7	8	8	9	9	10	10	11	11	12	12	13	13	14	14	15	15	16	16
KG	26.5	28	29.5	31	32.5	34	35.5	37	38.5	40	41.5	43	44.5	46	47.5	49	50.5	52	53.5	55	56.5	58	59.5	61	62.5	64	65.5	67	68.5	70

如有超长行程及定制需求,请咨询我司业务。If you have extra long trip and custom requirements, please consult our business.

MR 电机外置右侧 Motor external right side

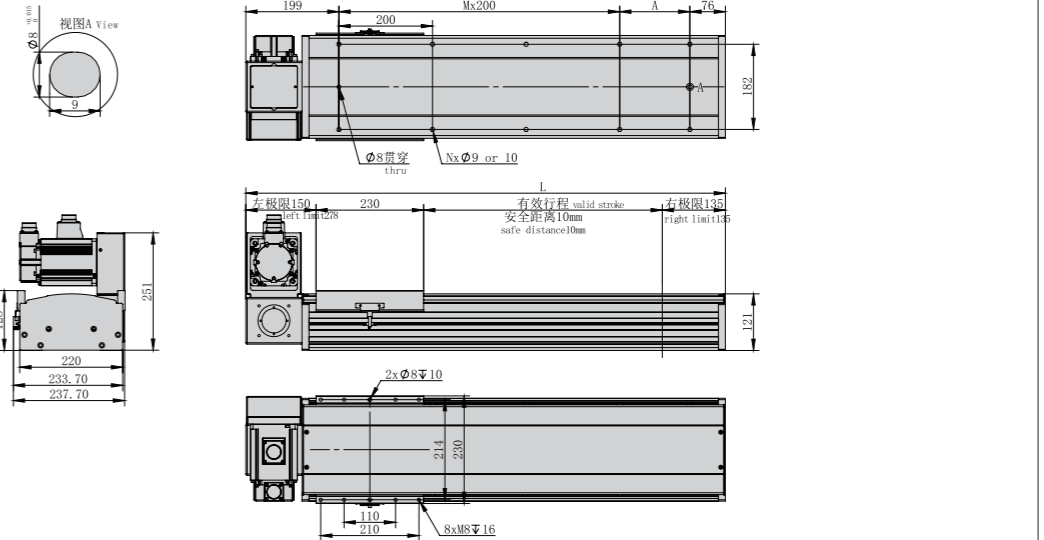


*不含电机重量。*Motor weight not included.

有效行程 Stroke	150	250	350	450	550	650	750	850	950	1050	1150	1250	1350	1450	1550	1650	1750	1850	1950	2050	2150	2250	2350	2450	2550	2650	2750	2850	2950	3050
L	803	903	1003	1103	1203	1303	1403	1503	1603	1703	1803	1903	2003	2103	2203	2303	2403	2503	2603	2703	2803	2903	3003	3103	3203	3303	3403	3503	3603	3703
A	200	100	200	100	200	100	200	100	200	100	200	100	200	100	200	100	200	100	200	100	200	100	200	100	200	100	200	100	200	100
N	6	8	8	10	10	12	12	14	14	16	16	18	18	20	20	22	22	24	24	26	26	28	28	30	30	32	32	34	34	36
M	2	2	3	3	4	4	5	5	6	6	7	7	8	8	9	9	10	10	11	11	12	12	13	13	14	14	15	15	16	16
KG	26.5	28	29.5	31	32.5	34	35.5	37	38.5	40	41.5	43	44.5	46	47.5	49	50.5	52	53.5	55	56.5	58	59.5	61	62.5	64	65.5	67	68.5	70

如有超长行程及定制需求,请咨询我司业务。If you have extra long trip and custom requirements, please consult our business.

LU 电机外置左上 Motor external upper left



*不含电机重量。*Motor weight not included.

有效行程 Stroke	150	250	350	450	550	650	750	850	950	1050	1150	1250	1350	1450	1550	1650	1750	1850	1950	2050	2150	2250	2350	2450	2550	2650	2750	2850	2950	3050
L	675	775	875	975	1075	1175	1275	1375	1475	1575	1675	1775	1875	1975	2075	2175	2275	2375	2475	2575	2675	2775	2875	2975	3075	3175	3275	3375	3475	3575
A	200	100	200	100	200	100	200	100	200	100	200	100	200	100	200	100	200	100	200	100	200	100	200	100	200	100	200	100	200	100
N	6	8	8	10	10	12	12	14	14	16	16	18	18	20	20	22	22	24	24	26	26	28	28	30	30	32	32	34	34	36
M	2	2	3	3	4	4	5	5	6	6	7	7	8	8	9	9	10	10	11	11	12	12	13	13	14	14	15	15	16	16
KG	26.5	28	29.5	31	32.5	34	35.5	37	38.5	40	41.5	43	44.5	46	47.5	49	50.5	52	53.5	55	56.5	58	59.5	61	62.5	64	65.5	67	68.5	70

如有超长行程及定制需求,请咨询我司业务。If you have extra long trip and custom requirements, please consult our business.

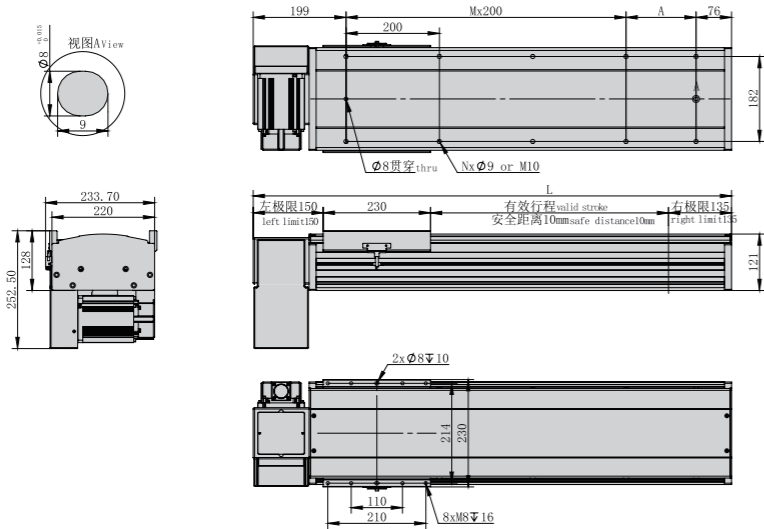
- HNR-E
- HNB-E
- HFR
- HNR
- HCR
- HNB**
- HCB
- HNT
- XYZ
- 参考资料
Reference data



电机外置右下/电机外置右上
Motor external lower right / Motor external upper right

RP 电机外置右下 Motor external lower right

单位:Unit:mm



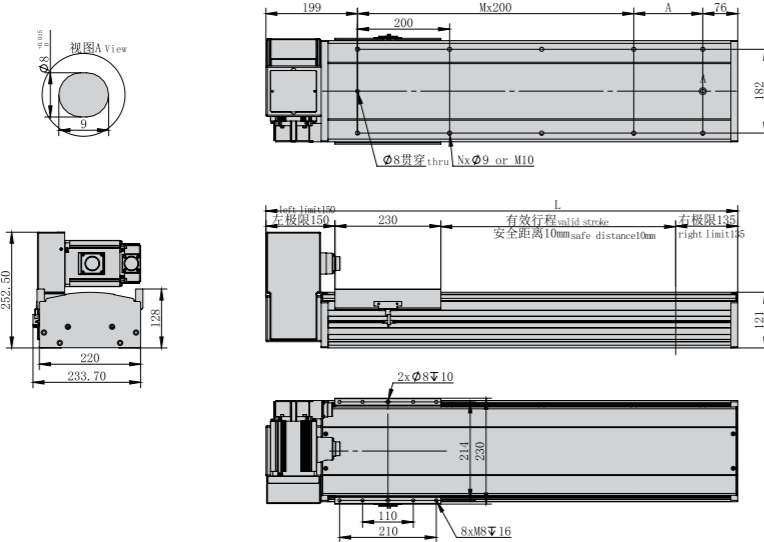
*不含电机重量。*Motor weight not included.

有效行程 Stroke	150	250	350	450	550	650	750	850	950	1050	1150	1250	1350	1450	1550	1650	1750	1850	1950	2050	2150	2250	2350	2450	2550	2650	2750	2850	2950	3050
L	675	775	875	975	1075	1175	1275	1375	1475	1575	1675	1775	1875	1975	2075	2175	2275	2375	2475	2575	2675	2775	2875	2975	3075	3175	3275	3375	3475	3575
A	200	100	200	100	200	100	200	100	200	100	200	100	200	100	200	100	200	100	200	100	200	100	200	100	200	100	200	100	200	100
N	6	8	8	10	10	12	12	14	14	16	16	18	18	20	20	22	22	24	24	26	26	28	28	30	30	32	32	34	34	36
M	2	2	3	3	4	4	5	5	6	6	7	7	8	8	9	9	10	10	11	11	12	12	13	13	14	14	15	15	16	16
KG	26.5	28	29.5	31	32.5	34	35.5	37	38.5	40	41.5	43	44.5	46	47.5	49	50.5	52	53.5	55	56.5	58	59.5	61	62.5	64	65.5	67	68.5	70

如有超长行程及定制需求,请咨询我司业务。If you have extra long trip and custom requirements, please consult our business.

RU 电机外置右上 Motor external upper right

单位:Unit:mm



*不含电机重量。*Motor weight not included.

有效行程 Stroke	150	250	350	450	550	650	750	850	950	1050	1150	1250	1350	1450	1550	1650	1750	1850	1950	2050	2150	2250	2350	2450	2550	2650	2750	2850	2950	3050
L	675	775	875	975	1075	1175	1275	1375	1475	1575	1675	1775	1875	1975	2075	2175	2275	2375	2475	2575	2675	2775	2875	2975	3075	3175	3275	3375	3475	3575
A	200	100	200	100	200	100	200	100	200	100	200	100	200	100	200	100	200	100	200	100	200	100	200	100	200	100	200	100	200	100
N	6	8	8	10	10	12	12	14	14	16	16	18	18	20	20	22	22	24	24	26	26	28	28	30	30	32	32	34	34	36
M	2	2	3	3	4	4	5	5	6	6	7	7	8	8	9	9	10	10	11	11	12	12	13	13	14	14	15	15	16	16
KG	26.5	28	29.5	31	32.5	34	35.5	37	38.5	40	41.5	43	44.5	46	47.5	49	50.5	52	53.5	55	56.5	58	59.5	61	62.5	64	65.5	67	68.5	70

如有超长行程及定制需求,请咨询我司业务。If you have extra long trip and custom requirements, please consult our business.

MEMO

- HNR-E
- HNB-E
- HFR
- HNR
- HCR
- HNB**
- HCB
- HNT
- XYZ
- 参考资料
Reference data



重复精度
Repeat Accuracy
±0.04 mm

此图仅供参考, 出货规格详见尺寸图面
This drawing is for reference only, Please refer to the size drawing for shipment specifications.

最大行程
Max stroke 3050mm

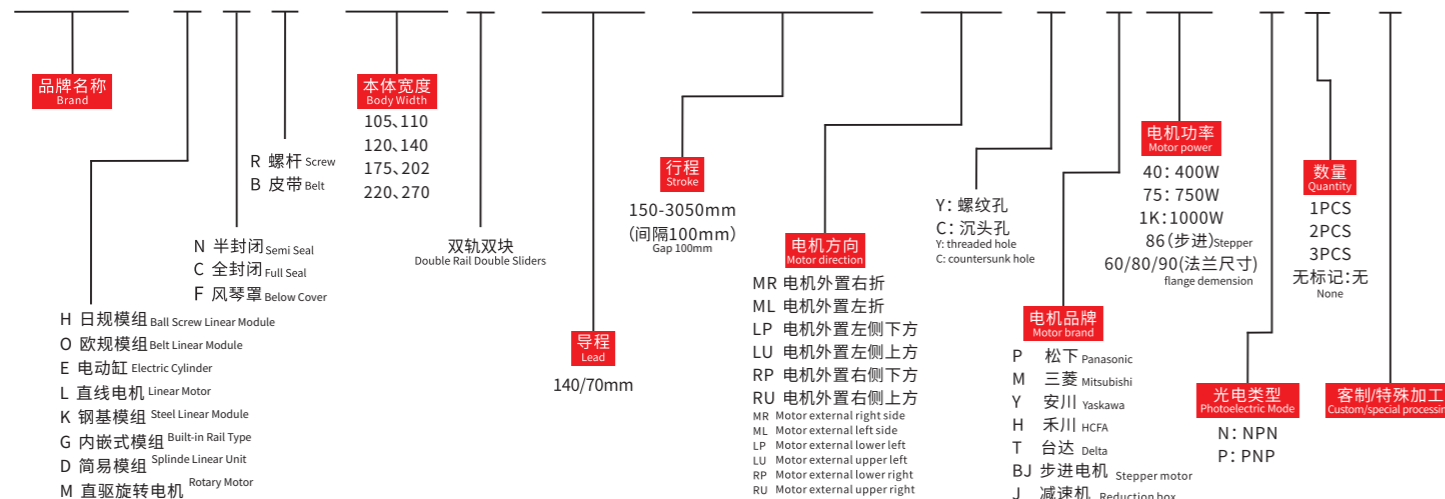
最高速度
Max speed 7000mm/s

马达容量
Motor output 1000W

直线滑轨
Linear guide 25X22-2支

型号表达方式 Ordering method

TPA-HNB-270D-140-L3050-MR-Y-P1K-N3-F



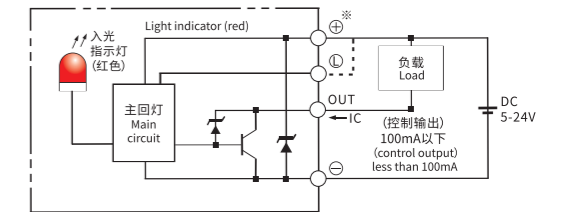
产品性能参数如下 Product performance parameters are as follows

电机功率 (W) Motor power (W)	1000	
重复定位精度 (mm) Repeated positioning accuracy (mm)	±0.04	
减速比 (mm) Reduction ratio	1:1	1:2
规格 Spec		
导程 (mm) Lead (mm)	140	70
最高速度 (mm/s) Maximum speed (mm/s)	7000	
电机额定转速 (RPM) Rated speed of motor (RPM)	3000	
最大可搬重量 Maximum Payload	70	140
标准行程 (mm) Stroke pitch (mm)	150~3050mm/100 间隔100 mm Pitch	
部品 Parts		
基座材质 Material of base	硬质挤压铝材A1 Hard extruded aluminum A1	
使用环境 Operating environment	0~40°C, 85%RH(无凝结) No condensation	

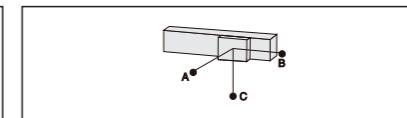
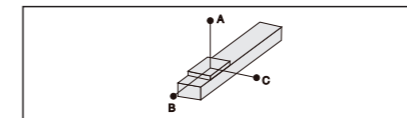
注1: 使用非上述功率电机时请依据实际参数推算。
Note 1: When using a motor with a power other than the above, please calculate according to the actual parameters.

注2: 最高速度因行程和负载而异, 当螺杆细长比大于1:50时, 可能会因螺杆临界速度产生共振和抖动, 应适当下调运行速度, 一般螺杆每增长100mm, 速度应下调10~15%。
Note 2: The maximum speed varies with stroke and load. When the screw slenderness ratio is greater than 1:50, resonance and jitter may occur due to the critical speed of the screw, so the running speed should be reduced appropriately. Generally, the speed should be reduced by 10~15% for every 100mm increase of the screw.

感应器连接图<原点及端点> Sensor layout

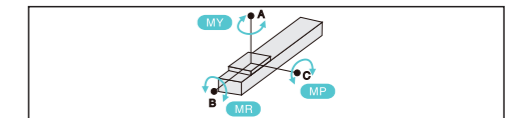


容许负载力矩表 N.m Allowable overhang



水平安装 Horizontal installation				侧面安装 Side mounting					
	A	B	C		A	B	C		
负载 Load	90kg	1579	605	336	负载 Load	90kg	485	682	1783
	115kg	1136	328	283		115kg	318	420	1136
	140kg	771	269	210		140kg	205	281	772

静态容许负载惯量 Static loading moment



	(单位Unit: N.m)
MY	3223
MP	3223
MR	2843

*力矩表所表示的数据, 代表重心。
The torque value in the chart indicate the center of gravity.

*符合型录规范的正常试用下, 保证寿命为10000公里。
Operation life is 10,000km when the product is using under the specified conditions.

*倒吊使用无法套用标准规范, 如有需求请咨询我司业务。
The standard specification cannot be applied to the use of inverted crane. Please consult our business if necessary.

搭配伺服马达一览表 Suitable motor brand

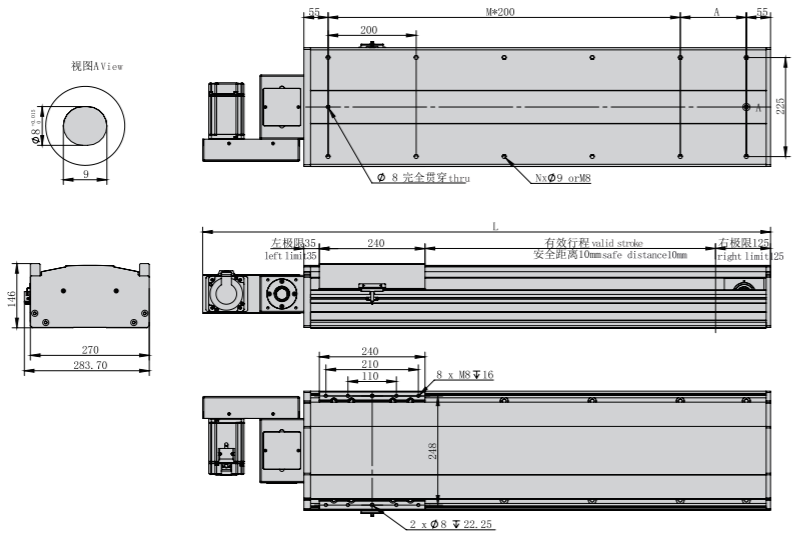
品牌 Brand	马达记号 Mark	刹车有无 Brake	马达容量 Motor capacity	电源电压 AC-Voltage	伺服马达型号 Servo motor model	驱动器型号 Driver Model
三菱 Mitsubishi	M	无刹车(水平式样) No brake (horizontal type)	750	220	HG-KN73J-S100	MR-JE-70A
松下 Panasonic	P	无刹车(水平式样) No brake (horizontal type)	750	220	MHMF082L1U2M	MCDLN35SE
台达 Delta	T	无刹车(水平式样) No brake (horizontal type)	750	220	ECM-B3M-C20807SS1	ASD-B3-0721-L



电机外置左侧/电机外置右侧
Motor external left side / Motor external right side

ML 电机外置左侧 Motor external left side

单位:Unit: mm



*不含电机重量。*Motor weight not included.

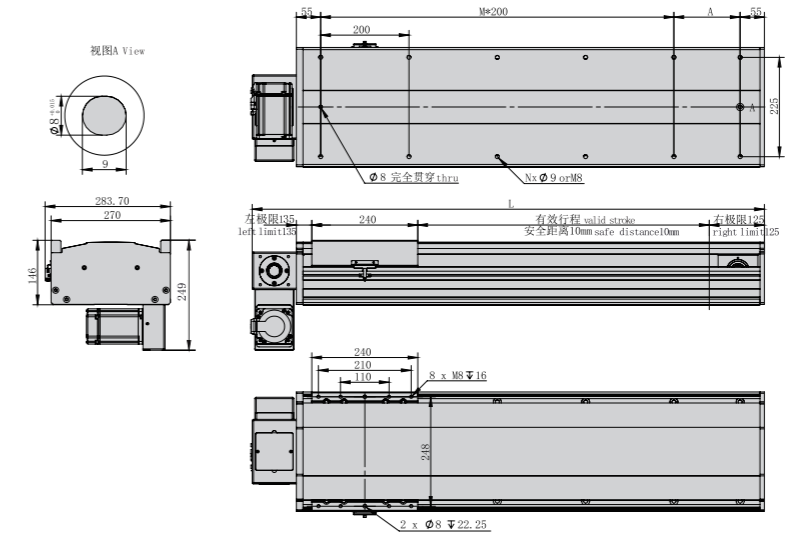
有效行程 Stroke	150	250	350	450	550	650	750	850	950	1050	1150	1250	1350	1450	1550	1650	1750	1850	1950	2050	2150	2250	2350	2450	2550	2650	2750	2850	2950	3050
L	790	890	990	1090	1190	1290	1390	1490	1590	1690	1790	1890	1990	2090	2190	2290	2390	2490	2590	2690	2790	2890	2990	3090	3190	3290	3390	3490	3590	3690
A	50	150	50	150	50	150	50	150	50	150	50	150	50	150	50	150	50	150	50	150	50	150	50	150	50	150	50	150	50	150
N	8	8	10	10	12	12	14	14	16	16	18	18	20	20	22	22	24	24	26	26	28	28	30	30	32	32	34	34	36	36
M	2	2	3	3	4	4	5	5	6	6	7	7	8	8	9	9	10	10	11	11	12	12	13	13	14	14	15	15	16	16
KG	37	39.2	41.4	43.6	45.8	48	50.2	52.4	54.6	56.8	59	61.2	63.4	65.6	67.8	70	72.2	74.4	76.6	78.8	81	83.2	85.4	87.6	89.8	92	94.2	96.4	98.6	100.8

如有超长行程及定制需求,请咨询我司业务。If you have extra long trip and custom requirements, please consult our business.

电机外置左下/电机外置左上
Motor external lower left / Motor external upper left

LP 电机外置左下 Motor external lower left

单位:Unit: mm



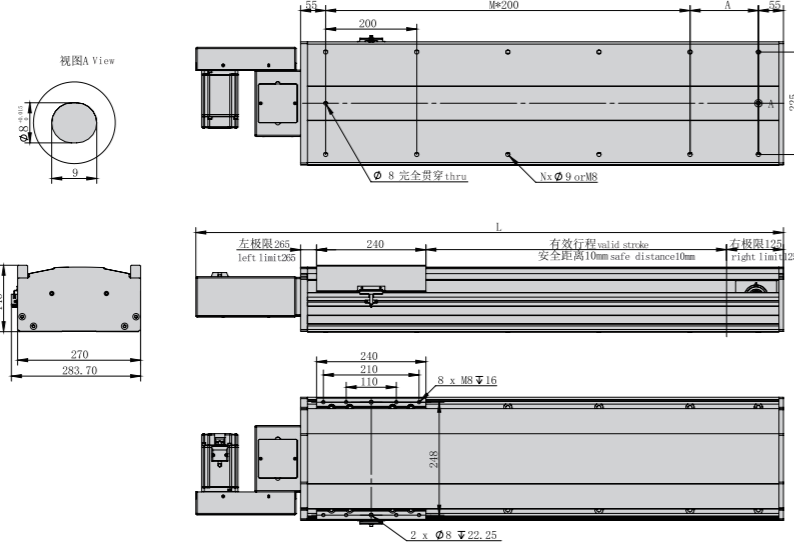
*不含电机重量。*Motor weight not included.

有效行程 Stroke	150	250	350	450	550	650	750	850	950	1050	1150	1250	1350	1450	1550	1650	1750	1850	1950	2050	2150	2250	2350	2450	2550	2650	2750	2850	2950	3050
L	660	760	860	960	1060	1160	1260	1360	1460	1560	1660	1760	1860	1960	2060	2160	2260	2360	2460	2560	2660	2760	2860	2960	3060	3160	3260	3360	3460	3560
A	50	150	50	150	50	150	50	150	50	150	50	150	50	150	50	150	50	150	50	150	50	150	50	150	50	150	50	150	50	150
N	8	8	10	10	12	12	14	14	16	16	18	18	20	20	22	22	24	24	26	26	28	28	30	30	32	32	34	34	36	36
M	2	2	3	3	4	4	5	5	6	6	7	7	8	8	9	9	10	10	11	11	12	12	13	13	14	14	15	15	16	16
KG	37	39.2	41.4	43.6	45.8	48	50.2	52.4	54.6	56.8	59	61.2	63.4	65.6	67.8	70	72.2	74.4	76.6	78.8	81	83.2	85.4	87.6	89.8	92	94.2	96.4	98.6	100.8

如有超长行程及定制需求,请咨询我司业务。If you have extra long trip and custom requirements, please consult our business.

MR 电机外置右侧 Motor external right side

单位:Unit: mm



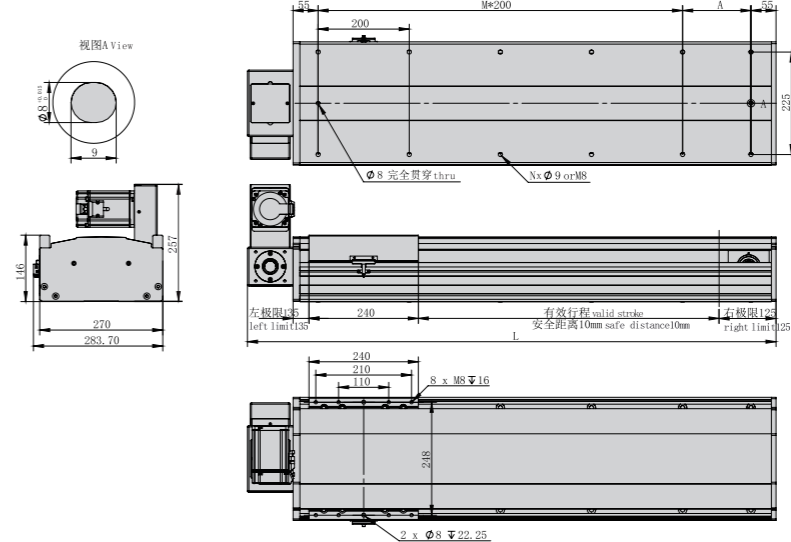
*不含电机重量。*Motor weight not included.

有效行程 Stroke	150	250	350	450	550	650	750	850	950	1050	1150	1250	1350	1450	1550	1650	1750	1850	1950	2050	2150	2250	2350	2450	2550	2650	2750	2850	2950	3050
L	790	890	990	1090	1190	1290	1390	1490	1590	1690	1790	1890	1990	2090	2190	2290	2390	2490	2590	2690	2790	2890	2990	3090	3190	3290	3390	3490	3590	3690
A	50	150	50	150	50	150	50	150	50	150	50	150	50	150	50	150	50	150	50	150	50	150	50	150	50	150	50	150	50	150
N	8	8	10	10	12	12	14	14	16	16	18	18	20	20	22	22	24	24	26	26	28	28	30	30	32	32	34	34	36	36
M	2	2	3	3	4	4	5	5	6	6	7	7	8	8	9	9	10	10	11	11	12	12	13	13	14	14	15	15	16	16
KG	37	39.2	41.4	43.6	45.8	48	50.2	52.4	54.6	56.8	59	61.2	63.4	65.6	67.8	70	72.2	74.4	76.6	78.8	81	83.2	85.4	87.6	89.8	92	94.2	96.4	98.6	100.8

如有超长行程及定制需求,请咨询我司业务。If you have extra long trip and custom requirements, please consult our business.

LU 电机外置左上 Motor external upper left

单位:Unit: mm



*不含电机重量。*Motor weight not included.

有效行程 Stroke	150	250	350	450	550	650	750	850	950	1050	1150	1250	1350	1450	1550	1650	1750	1850	1950	2050	2150	2250	2350	2450	2550	2650	2750	2850	2950	3050
L	660	760	860	960	1060	1160	1260	1360	1460	1560	1660	1760	1860	1960	2060	2160	2260	2360	2460	2560	2660	2760	2860	2960	3060	3160	3260	3360	3460	3560
A	50	150	50	150	50	150	50	150	50	150	50	150	50	150	50	150	50	150	50	150	50	150	50	150	50	150	50	150	50	150
N	8	8	10	10	12	12	14	14	16	16	18	18	20	20	22	22	24	24	26	26	28	28	30	30	32	32	34	34	36	36
M	2	2	3	3	4	4	5	5	6	6	7	7	8	8	9	9	10	10	11	11	12	12	13	13	14	14	15	15	16	16
KG	37	39.2	41.4	43.6	45.8	48	50.2	52.4	54.6	56.8	59	61.2	63.4	65.6	67.8	70	72.2	74.4	76.6	78.8	81	83.2	85.4	87.6	89.8	92	94.2	96.4	98.6	100.8

如有超长行程及定制需求,请咨询我司业务。If you have extra long trip and custom requirements, please consult our business.

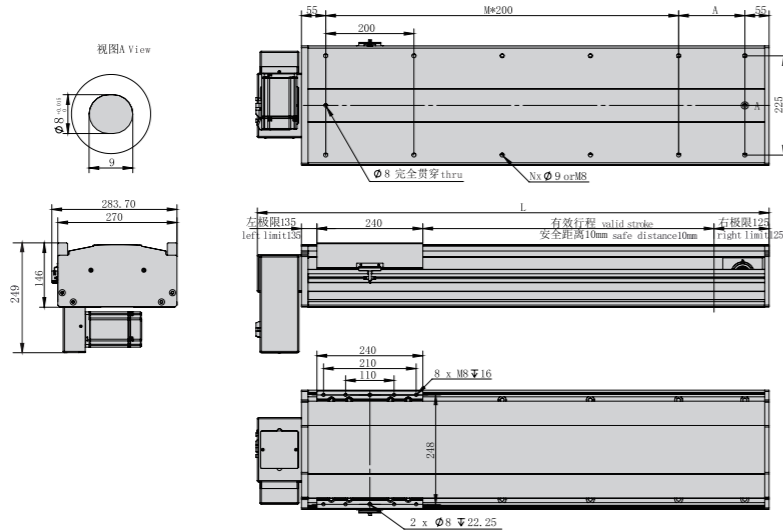
- HNR-E
- HNB-E
- HFR
- HNR
- HCR
- HNB**
- HCB
- HNT
- XYZ
- 参考资料
Reference data



电机外置右下/电机外置右上
Motor external lower right / Motor external upper right

RP 电机外置右下 Motor external lower right

单位:Unit:mm



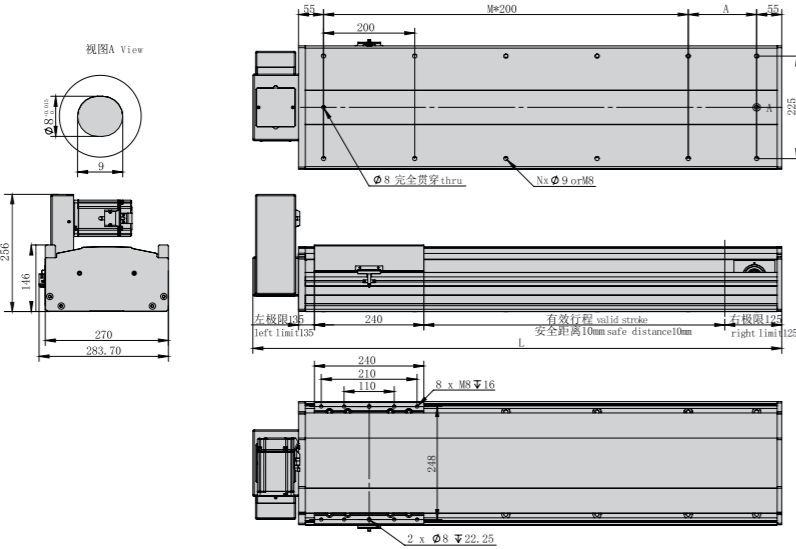
*不含电机重量。*Motor weight not included.

有效行程 Stroke	150	250	350	450	550	650	750	850	950	1050	1150	1250	1350	1450	1550	1650	1750	1850	1950	2050	2150	2250	2350	2450	2550	2650	2750	2850	2950	3050
L	660	760	860	960	1060	1160	1260	1360	1460	1560	1660	1760	1860	1960	2060	2160	2260	2360	2460	2560	2660	2760	2860	2960	3060	3160	3260	3360	3460	3560
A	50	150	50	150	50	150	50	150	50	150	50	150	50	150	50	150	50	150	50	150	50	150	50	150	50	150	50	150	50	150
N	8	8	10	10	12	12	14	14	16	16	18	18	20	20	22	22	24	24	26	26	28	28	30	30	32	32	34	34	36	36
M	2	2	3	3	4	4	5	5	6	6	7	7	8	8	9	9	10	10	11	11	12	12	13	13	14	14	15	15	16	16
KG	37	39.2	41.4	43.6	45.8	48	50.2	52.4	54.6	56.8	59	61.2	63.4	65.6	67.8	70	72.2	74.4	76.6	78.8	81	83.2	85.4	87.6	89.8	92	94.2	96.4	98.6	100.8

如有超长行程及定制需求,请咨询我司业务。If you have extra long trip and custom requirements, please consult our business.

RU 电机外置右上 Motor external upper right

单位:Unit:mm



*不含电机重量。*Motor weight not included.

有效行程 Stroke	150	250	350	450	550	650	750	850	950	1050	1150	1250	1350	1450	1550	1650	1750	1850	1950	2050	2150	2250	2350	2450	2550	2650	2750	2850	2950	3050
L	660	760	860	960	1060	1160	1260	1360	1460	1560	1660	1760	1860	1960	2060	2160	2260	2360	2460	2560	2660	2760	2860	2960	3060	3160	3260	3360	3460	3560
A	50	150	50	150	50	150	50	150	50	150	50	150	50	150	50	150	50	150	50	150	50	150	50	150	50	150	50	150	50	150
N	8	8	10	10	12	12	14	14	16	16	18	18	20	20	22	22	24	24	26	26	28	28	30	30	32	32	34	34	36	36
M	2	2	3	3	4	4	5	5	6	6	7	7	8	8	9	9	10	10	11	11	12	12	13	13	14	14	15	15	16	16
KG	37	39.2	41.4	43.6	45.8	48	50.2	52.4	54.6	56.8	59	61.2	63.4	65.6	67.8	70	72.2	74.4	76.6	78.8	81	83.2	85.4	87.6	89.8	92	94.2	96.4	98.6	100.8

如有超长行程及定制需求,请咨询我司业务。If you have extra long trip and custom requirements, please consult our business.

MEMO

- HNR-E
- HNB-E
- HFR
- HNR
- HCR
- HNB**
- HC
- HNT
- XYZ
- 参考资料
Reference data



重复精度
Repeat Accuracy
±0.04 mm

此图仅供参考, 出货规格详见尺寸图
This drawing is for reference only, Please refer to the size drawing for shipment specifications.

最大行程
Max stroke 3050mm

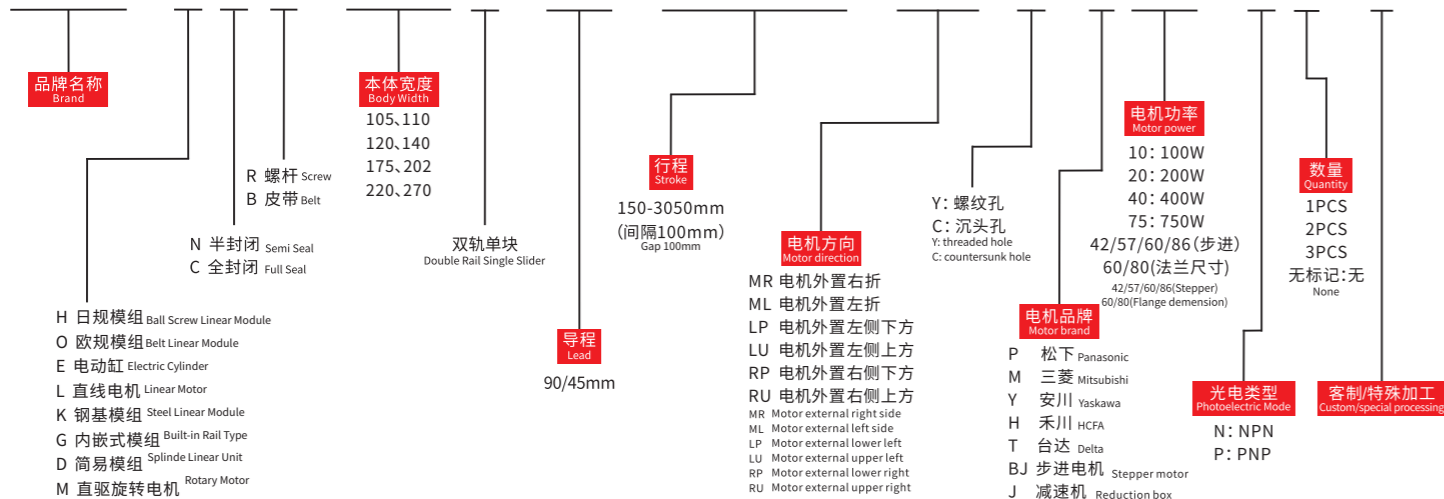
最高速度
Max speed 4500mm/s

马达容量
Motor output 200W

直线滑轨
Linear guide 20X18-2支

型号表达方式 Ordering method

TPA-HCB-105D-90-L3050-MR-Y-P20-N3-F



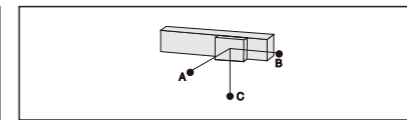
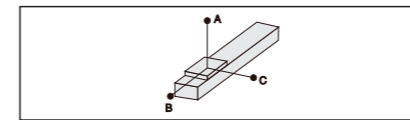
产品性能参数如下 Product performance parameters are as follows

电机功率 (W) Motor power (W)	200	
重复定位精度 (mm) Repeated positioning accuracy (mm)	±0.04	
减速比 (mm) Reduction ratio	1:1	1:2
规格 Spec		
导程 (mm) Lead (mm)	90	45
最高速度 (mm/s) Maximum speed (mm/s)	4500	
电机额定转速 (RPM) Rated speed of motor (RPM)	3000	
最大可搬重量 Maximum Payload	9	18
标准行程 (mm) Stroke pitch (mm)	150~3050mm/100 间隔100 mm Pitch	
部品 Parts		
基座材质 Material of base	硬质挤压铝材A1 Hard extruded aluminum A1	
使用环境 Operating environment	0~40°C, 85%RH(无凝结) No condensation	

注1: 使用非上述功率电机时请依据实际参数推算。
Note 1: When using a motor with a power other than the above, please calculate according to the actual parameters.

注2: 最高速度因行程和负载而异, 当螺杆细长比大于1:50时, 可能会因螺杆临界速度产生共振和抖动, 应适当下调运行速度, 一般螺杆每增长100mm, 速度应下调10~15%。
Note 2: The maximum speed varies with stroke and load. When the screw slenderness ratio is greater than 1:50, resonance and jitter may occur due to the critical speed of the screw, so the running speed should be reduced appropriately. Generally, the speed should be reduced by 10~15% for every 100mm increase of the screw.

容许负载力矩表 N.m Allowable overhang

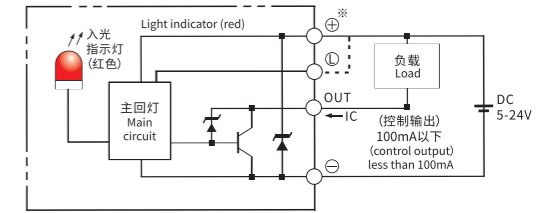


水平安装 Horizontal installation				侧面安装 Side mounting			
	A	B	C		A	B	C
负载 Load	5kg	495	152	4kg	162	192	625
	8kg	301	91	7kg	89	106	347
	10kg	236	71	10kg	60	71	236

搭配伺服马达一览表 Suitable motor brand

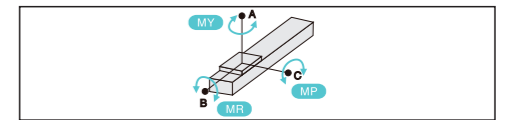
品牌 Brand	马达记号 Mark	刹车有无 Brake	马达容量 Motor capacity	电源电压 AC-Voltage	伺服马达型号 Servo motor model	驱动器型号 Driver Model
三菱 Mitsubishi	M	无刹车(水平式样) No brake (horizontal type)	200	220	HG-KR73	MR-J4-70A
松下 Panasonic	P	无刹车(水平式样) No brake (horizontal type)	200	220	MHMD082G1U	MBDHT3520
台达 Delta	T	无刹车(水平式样) No brake (horizontal type)	200	220	ECMA-C20807ES	ASD-B20721-B

感应器连接图<原点及端点> Sensor layout



- HNR-E
- HNB-E
- HFR
- HNR
- HCR
- HNB
- HCB**
- HNT
- XYZ
- 参考资料
Reference data

静态容许负载惯量 Static loading moment



	(单位Unit:N.m)
MY	150
MP	150
MR	130

*力矩表所表示的数据, 代表重心。
The torque value in the chart indicate the center of gravity.

*符合型录规范的正常试用下, 保证寿命为10000公里。
Operation life is 10,000km when the product is using under the specified conditions.

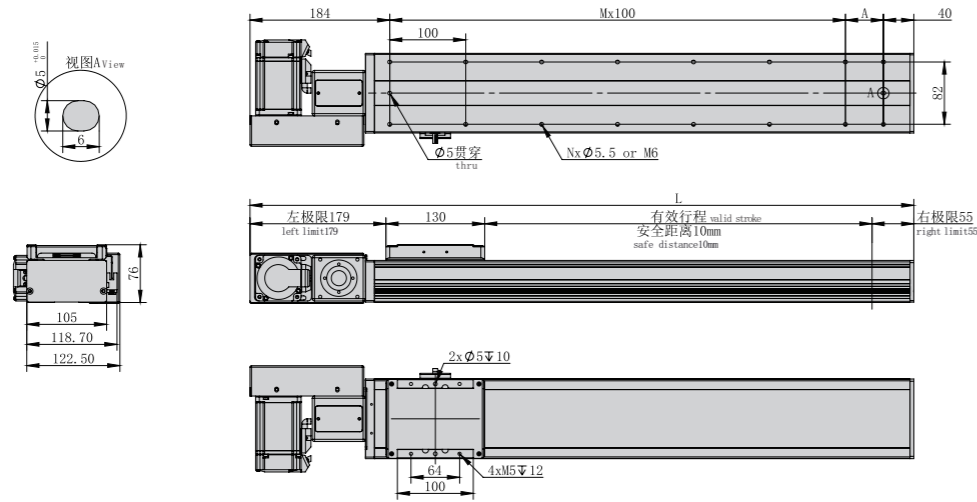
*倒吊使用无法套用标准规范, 如有需求请咨询我司业务。
The standard specification cannot be applied to the use of inverted crane. Please consult our business if necessary.



电机外置左侧/电机外置右侧
Motor external left side / Motor external right side

ML 电机外置左侧 Motor external left side

单位:Unit: mm



*不含电机重量。*Motor weight not included.

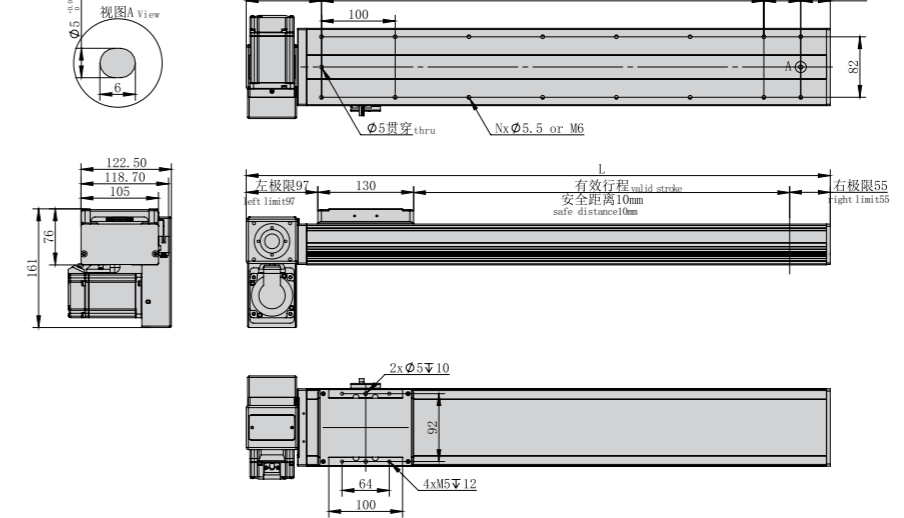
有效行程 Stroke	150	250	350	450	550	650	750	850	950	1050	1150	1250	1350	1450	1550	1650	1750	1850	1950	2050	2150	2250	2350	2450	2550	2650	2750	2850	2950	3050
L	524	624	724	824	924	1024	1124	1224	1324	1424	1524	1624	1724	1824	1924	2024	2124	2224	2324	2424	2524	2624	2724	2824	2924	3024	3124	3224	3324	3424
A	100	100	100	100	100	100	100	100	100	100	100	100	100	100	100	100	100	100	100	100	100	100	100	100	100	100	100	100	100	100
N	8	10	12	14	16	18	20	22	24	26	28	30	32	34	36	38	40	42	44	46	48	50	52	54	56	58	60	62	64	66
M	3	4	5	6	7	8	9	10	11	12	13	14	15	16	17	18	19	20	21	22	23	24	25	26	27	28	29	30	31	32
KG	4.8	5.5	6.2	6.9	7.6	8.3	9	9.7	10.4	11.1	11.8	12.5	13.2	13.9	14.6	15.3	16	16.7	17.4	18.1	18.8	19.5	20.2	20.9	21.6	22.3	23	23.7	24.4	25.1

如有超长行程及定制需求, 请咨询我司业务。If you have extra long trip and custom requirements, please consult our business.

电机外置左下/电机外置左上
Motor external lower left / Motor external upper left

LP 电机外置左下 Motor external lower left

单位:Unit: mm



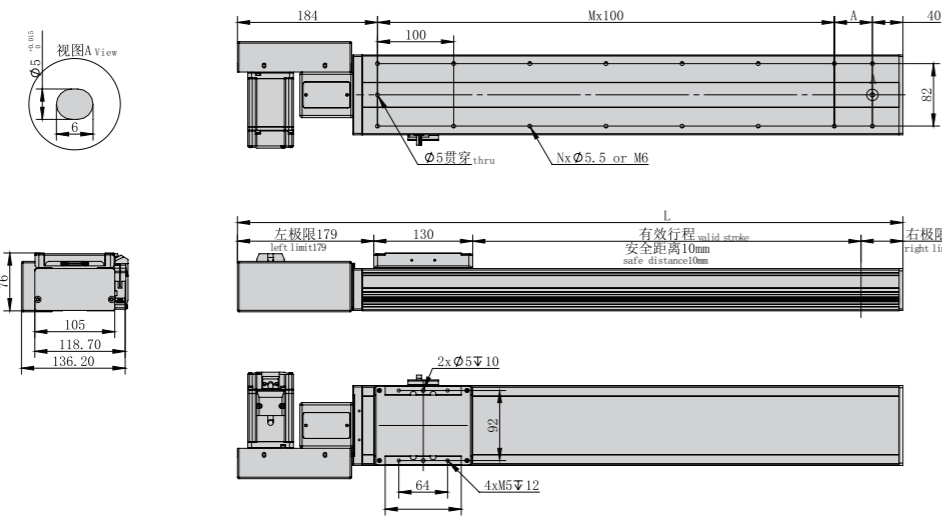
*不含电机重量。*Motor weight not included.

有效行程 Stroke	150	250	350	450	550	650	750	850	950	1050	1150	1250	1350	1450	1550	1650	1750	1850	1950	2050	2150	2250	2350	2450	2550	2650	2750	2850	2950	3050
L	442	542	642	742	842	942	1042	1142	1242	1342	1442	1542	1642	1742	1842	1942	2042	2142	2242	2342	2442	2542	2642	2742	2842	2942	3042	3142	3242	3342
A	100	100	100	100	100	100	100	100	100	100	100	100	100	100	100	100	100	100	100	100	100	100	100	100	100	100	100	100	100	100
N	8	10	12	14	16	18	20	22	24	26	28	30	32	34	36	38	40	42	44	46	48	50	52	54	56	58	60	62	64	66
M	3	4	5	6	7	8	9	10	11	12	13	14	15	16	17	18	19	20	21	22	23	24	25	26	27	28	29	30	31	32
KG	4.8	5.5	6.2	6.9	7.6	8.3	9	9.7	10.4	11.1	11.8	12.5	13.2	13.9	14.6	15.3	16	16.7	17.4	18.1	18.8	19.5	20.2	20.9	21.6	22.3	23	23.7	24.4	25.1

如有超长行程及定制需求, 请咨询我司业务。If you have extra long trip and custom requirements, please consult our business.

MR 电机外置右侧 Motor external right side

单位:Unit: mm



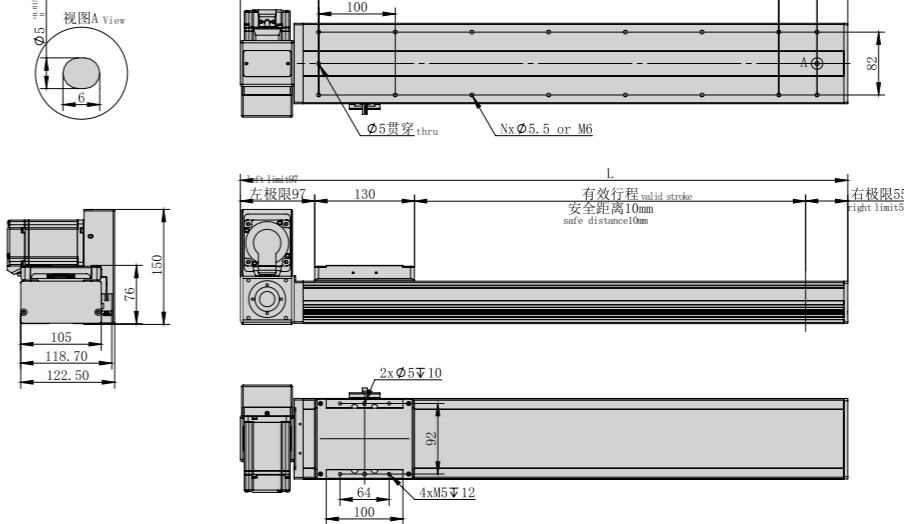
*不含电机重量。*Motor weight not included.

有效行程 Stroke	150	250	350	450	550	650	750	850	950	1050	1150	1250	1350	1450	1550	1650	1750	1850	1950	2050	2150	2250	2350	2450	2550	2650	2750	2850	2950	3050
L	524	624	724	824	924	1024	1124	1224	1324	1424	1524	1624	1724	1824	1924	2024	2124	2224	2324	2424	2524	2624	2724	2824	2924	3024	3124	3224	3324	3424
A	100	100	100	100	100	100	100	100	100	100	100	100	100	100	100	100	100	100	100	100	100	100	100	100	100	100	100	100	100	100
N	8	10	12	14	16	18	20	22	24	26	28	30	32	34	36	38	40	42	44	46	48	50	52	54	56	58	60	62	64	66
M	3	4	5	6	7	8	9	10	11	12	13	14	15	16	17	18	19	20	21	22	23	24	25	26	27	28	29	30	31	32
KG	4.8	5.5	6.2	6.9	7.6	8.3	9	9.7	10.4	11.1	11.8	12.5	13.2	13.9	14.6	15.3	16	16.7	17.4	18.1	18.8	19.5	20.2	20.9	21.6	22.3	23	23.7	24.4	25.1

如有超长行程及定制需求, 请咨询我司业务。If you have extra long trip and custom requirements, please consult our business.

LU 电机外置左上 Motor external upper left

单位:Unit: mm



*不含电机重量。*Motor weight not included.

有效行程 Stroke	150	250	350	450	550	650	750	850	950	1050	1150	1250	1350	1450	1550	1650	1750	1850	1950	2050	2150	2250	2350	2450	2550	2650	2750	2850	2950	3050
L	442	542	642	742	842	942	1042	1142	1242	1342	1442	1542	1642	1742	1842	1942	2042	2142	2242	2342	2442	2542	2642	2742	2842	2942	3042	3142	3242	3342
A	100	100	100	100	100	100	100	100	100	100	100	100	100	100	100	100	100	100	100	100	100	100	100	100	100	100	100	100	100	100
N	8	10	12	14	16	18	20	22	24	26	28	30	32	34	36	38	40	42	44	46	48	50	52	54	56	58	60	62	64	66
M	3	4	5	6	7	8	9	10	11	12	13	14	15	16	17	18	19	20	21	22	23	24	25	26	27	28	29	30	31	32
KG	4.8	5.5	6.2	6.9	7.6	8.3	9	9.7	10.4	11.1	11.8	12.5	13.2	13.9	14.6	15.3	16	16.7	17.4	18.1	18.8	19.5	20.2	20.9	21.6	22.3	23	23.7	24.4	25.1

如有超长行程及定制需求, 请咨询我司业务。If you have extra long trip and custom requirements, please consult our business.



重复精度
Repeat Accuracy
±0.04 mm

此图仅供参考, 出货规格详见尺寸图
This drawing is for reference only, Please refer to the size drawing for shipment specifications.

最大行程 Max stroke **1850mm**

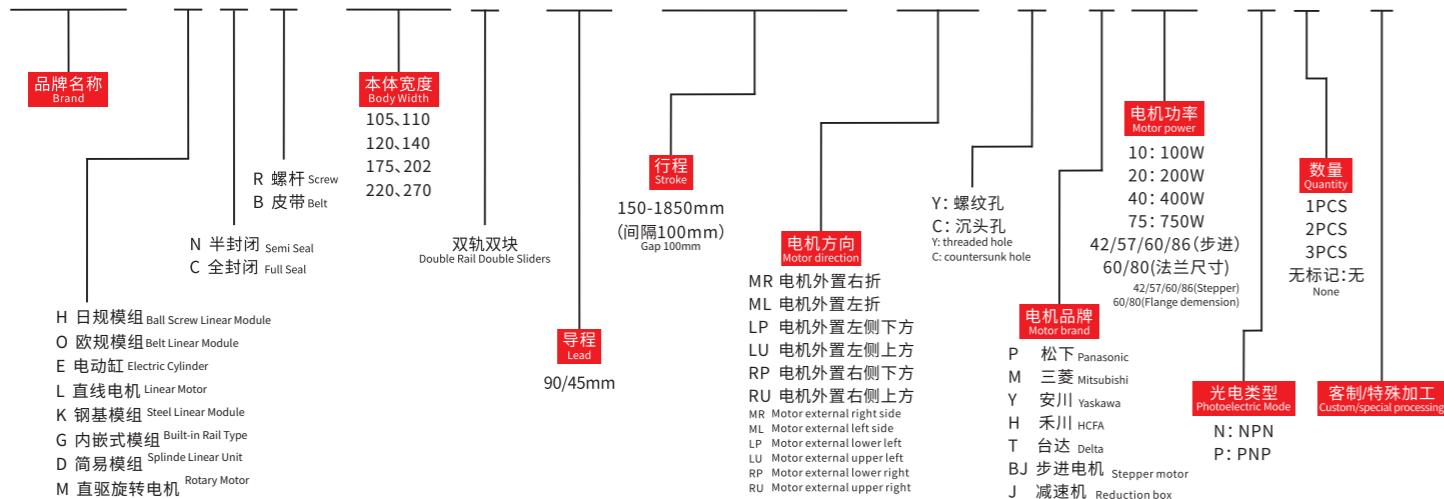
最高速度 Max speed **4500mm/s**

马达容量 Motor output **200W**

直线导轨 Linear guide **12X8-2支**

型号表达方式 Ordering method

TPA-HCB-110D-90-L1850-MR-Y-P20-N3-F



产品性能参数如下 Product performance parameters are as follows

电机功率 (W) Motor power (W)	200	
重复定位精度 (mm) Repeated positioning accuracy (mm)	±0.04	
减速比 (mm) Reduction ratio	1:1	1:2
规格 Spec		
导程 (mm) Lead (mm)	90	45
最高速度 (mm/s) Maximum speed (mm/s)	4500	
电机额定转速 (RPM) Rated speed of motor (RPM)	3000	
最大可搬重量 Maximum Payload	9	18
标准行程 (mm) Stroke pitch (mm)	150~1850mm/100 间隔100 mm Pitch	
部品 Parts		
基座材质 Material of base	硬质挤压铝材A1 Hard extruded aluminum A1	
使用环境 Operating environment	0~40°C, 85%RH(无凝结) No condensation	

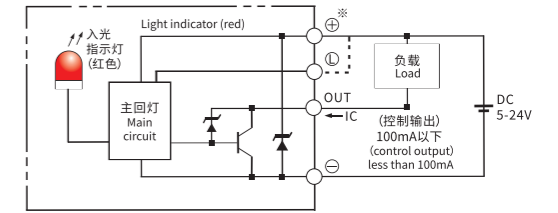
注1: 使用非上述功率电机时请依据实际参数推算。
Note 1: When using a motor with a power other than the above, please calculate according to the actual parameters.

注2: 最高速度因行程和负载而异, 当螺杆细长比大于1:50时, 可能会因螺杆临界速度产生共振和抖动, 应适当下调运行速度, 一般螺杆每增长100mm, 速度应下调10~15%。
Note 2: The maximum speed varies with stroke and load. When the screw slenderness ratio is greater than 1:50, resonance and jitter may occur due to the critical speed of the screw, so the running speed should be reduced appropriately. Generally, the speed should be reduced by 10~15% for every 100mm increase of the screw.

容许负载力矩表 N.m Allowable overhang

(单位Unit:mm)				(单位Unit:mm)					
水平安装 Horizontal installation	A	B	C	侧面安装 Side mounting	A	B	C		
负载 Load	5kg	1400	750	600	负载 Load	5kg	660	500	1100
	8kg	1100	450	400		8kg	450	300	850
	10kg	1000	350	350		10kg	350	220	800

感应器连接图<原点及端点> Sensor layout



静态容许负载惯量 Static loading moment

(单位Unit:N.m)	
MY	110
MP	110
MR	120

*力矩表所表示的数据, 代表重心。
The torque value in the chart indicate the center of gravity.

*符合型录规范的正常试用下, 保证寿命为10000公里。
Operation life is 10,000km when the product is using under the specified conditions.

*倒吊使用无法套用标准规范, 如有需求请咨询我司业务。
The standard specification cannot be applied to the use of inverted crane. Please consult our business if necessary.

搭配伺服马达一览表 Suitable motor brand

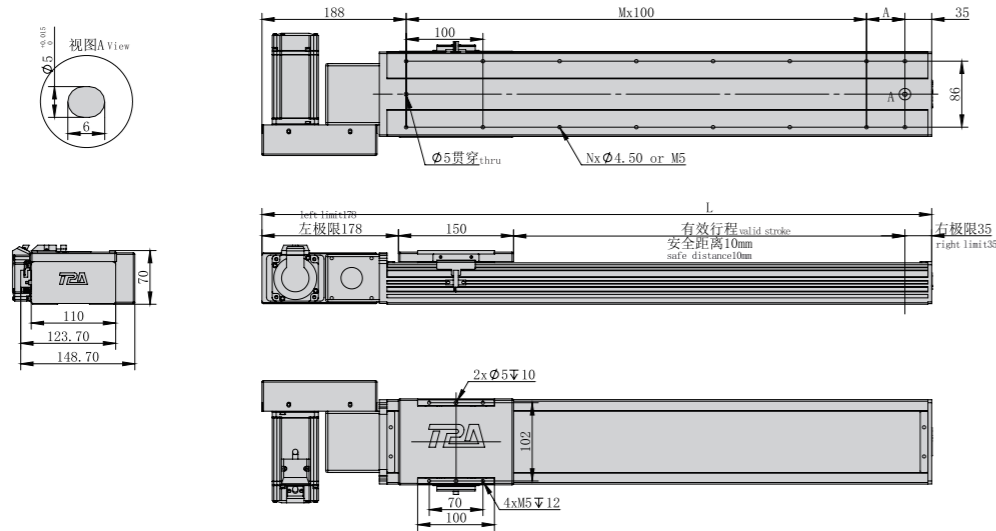
品牌 Brand	马达记号 Mark	刹车有无 Brake	马达容量 Motor capacity	电源电压 AC-Voltage	伺服马达型号 Servo motor model	驱动器型号 Driver Model
三菱 Mitsubishi	M	无刹车(水平式样) No brake (horizontal type)	200	220	HG-KR73	MR-J4-70A
松下 Panasonic	P	无刹车(水平式样) No brake (horizontal type)	200	220	MHMD082G1U	MBDHT3520
台达 Delta	T	无刹车(水平式样) No brake (horizontal type)	200	220	ECMA-C20807ES	ASD-B20721-B



电机外置左侧/电机外置右侧
Motor external left side / Motor external right side

ML 电机外置左侧 Motor external left side

单位:Unit: mm



*不含电机重量。*Motor weight not included.

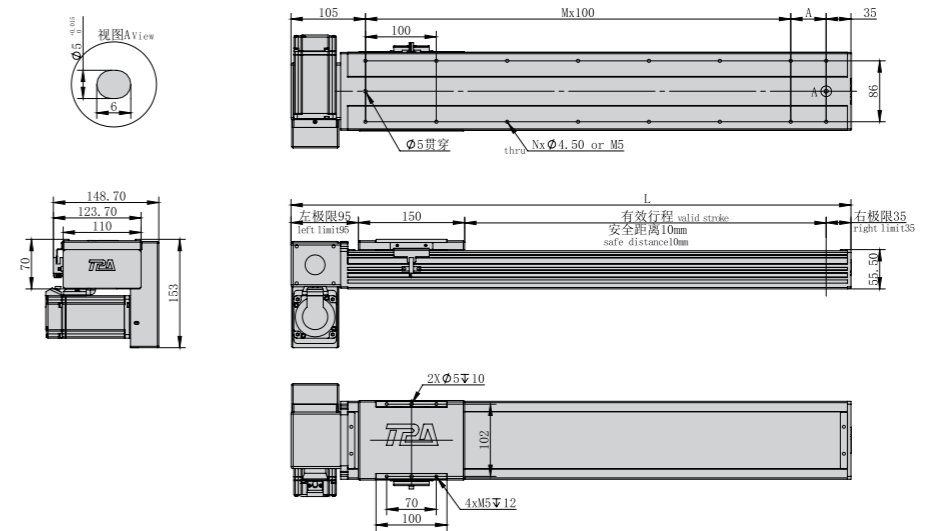
有效行程 Stroke	150	250	350	450	550	650	750	850	950	1050	1150	1250	1350	1450	1550	1650	1750	1850
L	523	623	723	823	923	1023	1123	1223	1323	1423	1523	1623	1723	1823	1923	2023	2123	2223
A	100	100	100	100	100	100	100	100	100	100	100	100	100	100	100	100	100	100
N	8	10	12	14	16	18	20	22	24	26	28	30	32	34	36	38	40	42
M	2	3	4	5	6	7	8	9	10	11	12	13	14	15	16	17	18	19
KG	4.8	5.3	5.8	6.3	6.8	7.3	7.8	8.3	8.8	9.3	9.8	10.3	10.8	11.3	11.8	12.3	12.8	13.3

如有超长行程及定制需求,请咨询我司业务。If you have extra long trip and custom requirements, please consult our business.

电机外置左下/电机外置左上
Motor external lower left / Motor external upper left

LP 电机外置左下 Motor external lower left

单位:Unit: mm



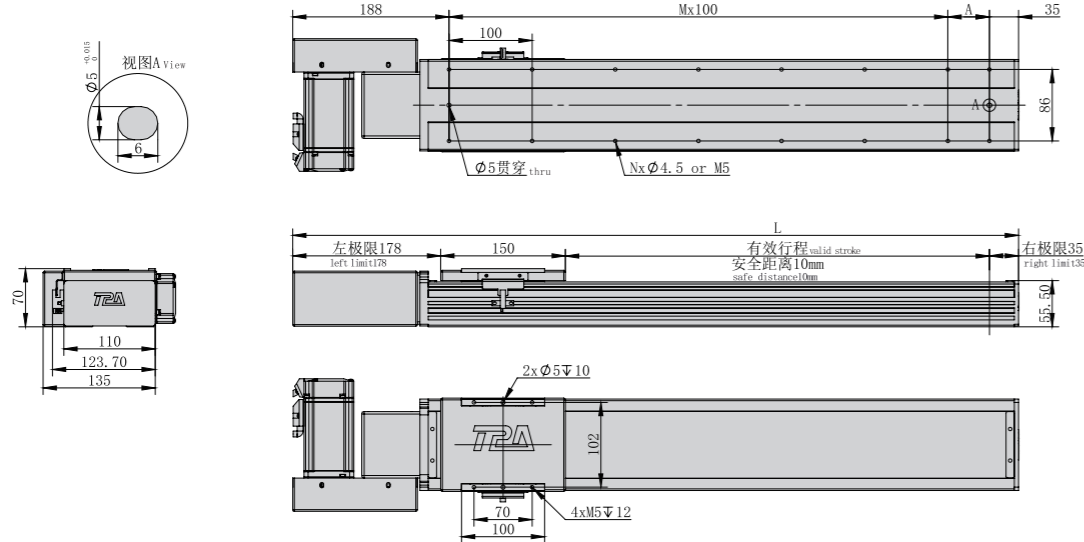
*不含电机重量。*Motor weight not included.

有效行程 Stroke	150	250	350	450	550	650	750	850	950	1050	1150	1250	1350	1450	1550	1650	1750	1850
L	440	540	640	740	840	940	1040	1140	1240	1340	1440	1540	1640	1740	1840	1940	2040	2140
A	100	100	100	100	100	100	100	100	100	100	100	100	100	100	100	100	100	100
N	8	10	12	14	16	18	20	22	24	26	28	30	32	34	36	38	40	42
M	2	3	4	5	6	7	8	9	10	11	12	13	14	15	16	17	18	19
KG	4.8	5.3	5.8	6.3	6.8	7.3	7.8	8.3	8.8	9.3	9.8	10.3	10.8	11.3	11.8	12.3	12.8	13.3

如有超长行程及定制需求,请咨询我司业务。If you have extra long trip and custom requirements, please consult our business.

MR 电机外置右侧 Motor external right side

单位:Unit: mm



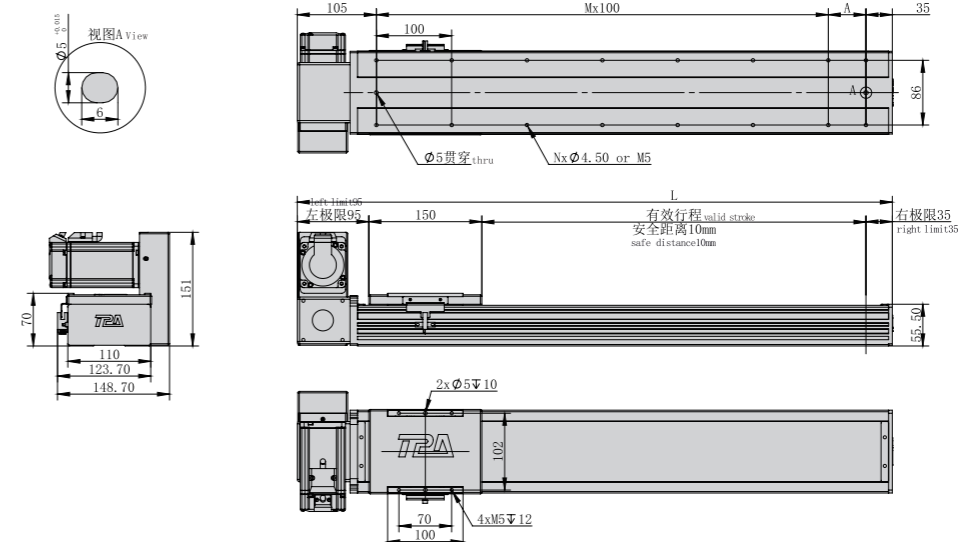
*不含电机重量。*Motor weight not included.

有效行程 Stroke	150	250	350	450	550	650	750	850	950	1050	1150	1250	1350	1450	1550	1650	1750	1850
L	523	623	723	823	923	1023	1123	1223	1323	1423	1523	1623	1723	1823	1923	2023	2123	2223
A	100	100	100	100	100	100	100	100	100	100	100	100	100	100	100	100	100	100
N	8	10	12	14	16	18	20	22	24	26	28	30	32	34	36	38	40	42
M	2	3	4	5	6	7	8	9	10	11	12	13	14	15	16	17	18	19
KG	4.8	5.3	5.8	6.3	6.8	7.3	7.8	8.3	8.8	9.3	9.8	10.3	10.8	11.3	11.8	12.3	12.8	13.3

如有超长行程及定制需求,请咨询我司业务。If you have extra long trip and custom requirements, please consult our business.

LU 电机外置左上 Motor external upper left

单位:Unit: mm



*不含电机重量。*Motor weight not included.

有效行程 Stroke	150	250	350	450	550	650	750	850	950	1050	1150	1250	1350	1450	1550	1650	1750	1850
L	440	540	640	740	840	940	1040	1140	1240	1340	1440	1540	1640	1740	1840	1940	2040	2140
A	100	100	100	100	100	100	100	100	100	100	100	100	100	100	100	100	100	100
N	8	10	12	14	16	18	20	22	24	26	28	30	32	34	36	38	40	42
M	2	3	4	5	6	7	8	9	10	11	12	13	14	15	16	17	18	19
KG	4.8	5.3	5.8	6.3	6.8	7.3	7.8	8.3	8.8	9.3	9.8	10.3	10.8	11.3	11.8	12.3	12.8	13.3

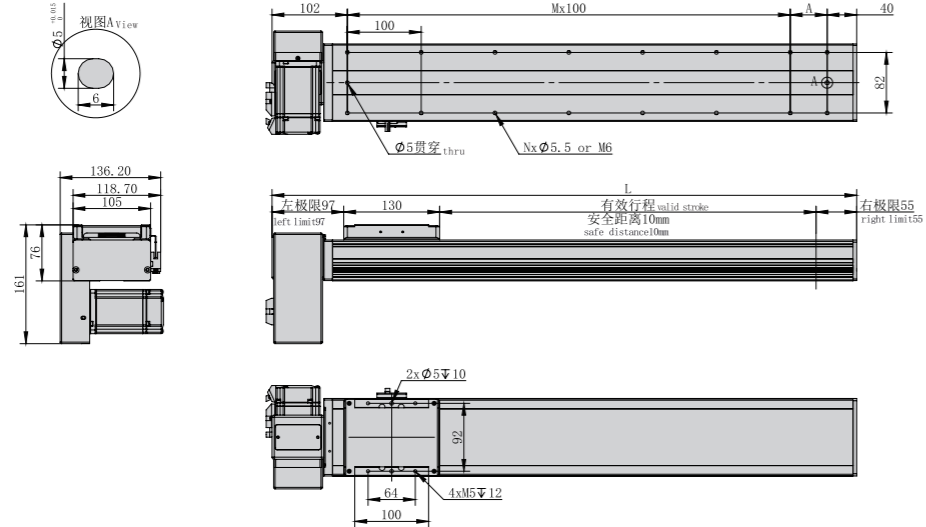
如有超长行程及定制需求,请咨询我司业务。If you have extra long trip and custom requirements, please consult our business.



电机外置右下/电机外置右上
Motor external lower right / Motor external upper right

RP 电机外置右下 Motor external lower right

单位:Unit: mm



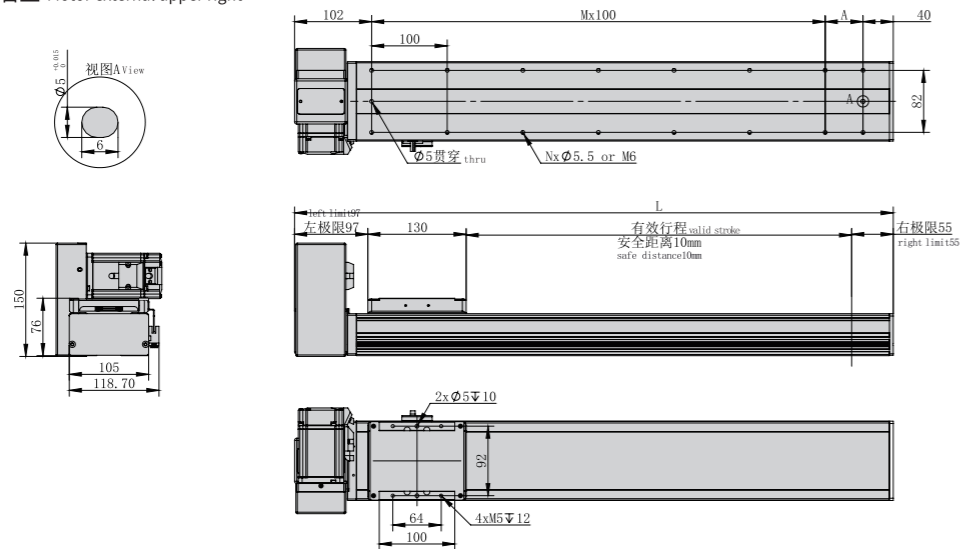
*不含电机重量。*Motor weight not included.

有效行程 Stroke	150	250	350	450	550	650	750	850	950	1050	1150	1250	1350	1450	1550	1650	1750	1850
L	440	540	640	740	840	940	1040	1140	1240	1340	1440	1540	1640	1740	1840	1940	2040	2140
A	100	100	100	100	100	100	100	100	100	100	100	100	100	100	100	100	100	100
N	8	10	12	14	16	18	20	22	24	26	28	30	32	34	36	38	40	42
M	2	3	4	5	6	7	8	9	10	11	12	13	14	15	16	17	18	19
KG	4.8	5.3	5.8	6.3	6.8	7.3	7.8	8.3	8.8	9.3	9.8	10.3	10.8	11.3	11.8	12.3	12.8	13.3

如有超长行程及定制需求,请咨询我司业务。If you have extra long trip and custom requirements, please consult our business.

RU 电机外置右上 Motor external upper right

单位:Unit: mm



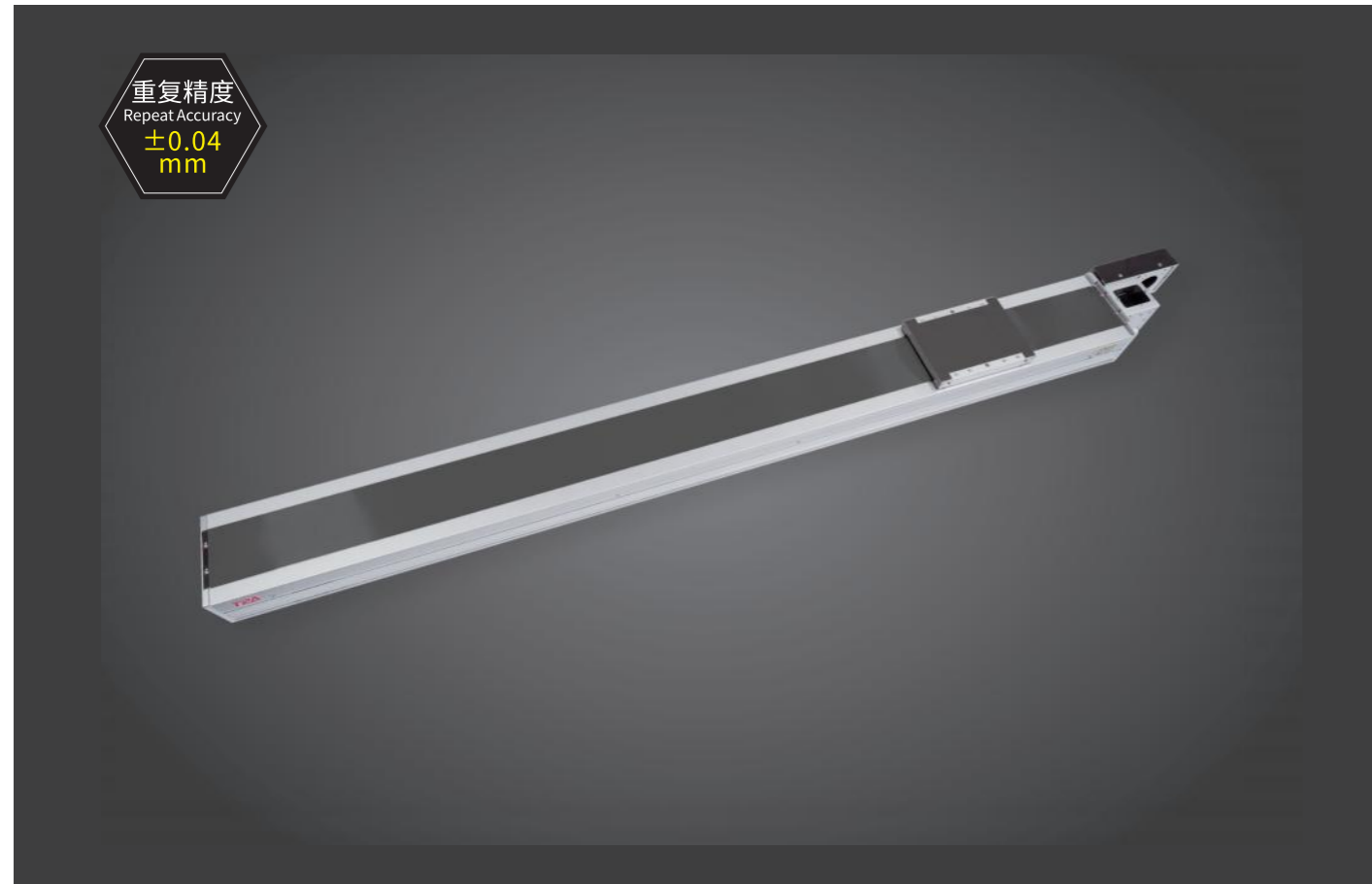
*不含电机重量。*Motor weight not included.

有效行程 Stroke	150	250	350	450	550	650	750	850	950	1050	1150	1250	1350	1450	1550	1650	1750	1850
L	440	540	640	740	840	940	1040	1140	1240	1340	1440	1540	1640	1740	1840	1940	2040	2140
A	100	100	100	100	100	100	100	100	100	100	100	100	100	100	100	100	100	100
N	8	10	12	14	16	18	20	22	24	26	28	30	32	34	36	38	40	42
M	2	3	4	5	6	7	8	9	10	11	12	13	14	15	16	17	18	19
KG	4.8	5.3	5.8	6.3	6.8	7.3	7.8	8.3	8.8	9.3	9.8	10.3	10.8	11.3	11.8	12.3	12.8	13.3

如有超长行程及定制需求,请咨询我司业务。If you have extra long trip and custom requirements, please consult our business.

MEMO

HNR-E
HNB-E
HFR
HNR
HCR
HNB
HCB
HNT
XYZ
参考资料
Reference data



重复精度
Repeat Accuracy
±0.04 mm

此图仅供参考, 出货规格详见尺寸图面
This drawing is for reference only, Please refer to the size drawing for shipment specifications.

最大行程
Max stroke 3050mm

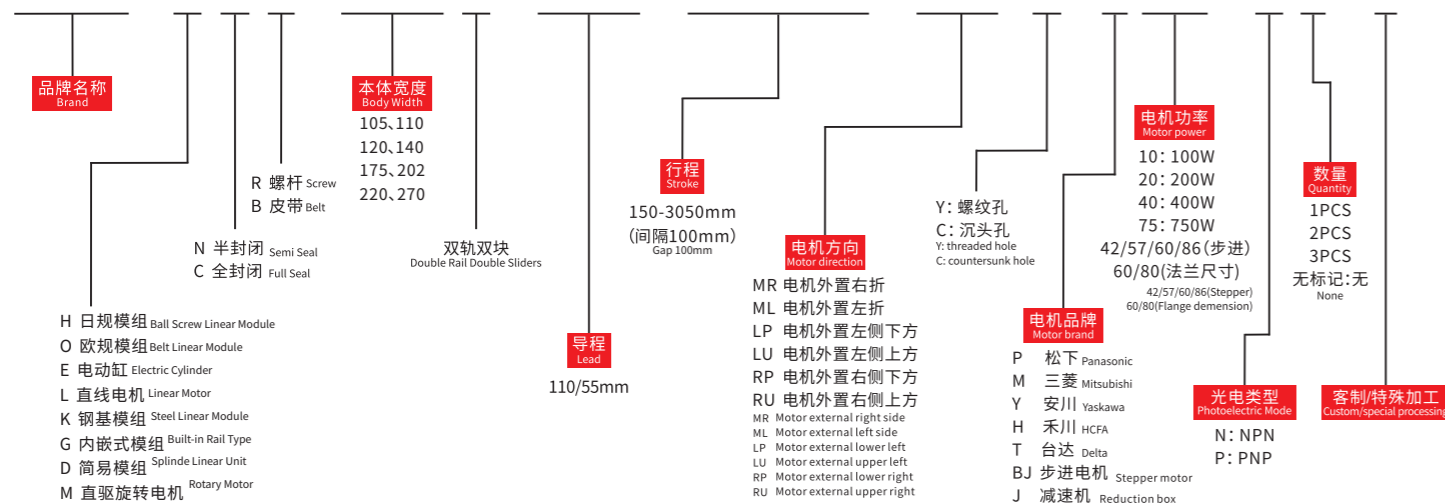
最高速度
Max speed 5500mm/s

马达容量
Motor output 400W

直线滑轨
Linear guide 15X12.5-2支

型号表达方式 Ordering method

TPA-HCB-120D-110-L3050-MR-Y-P20-N3-F



产品性能参数如下 Product performance parameters are as follows

电机功率 (W) Motor power (W)	200	
重复定位精度 (mm) Repeated positioning accuracy (mm)	±0.04	
减速比 (mm) Reduction ratio	1:1	1:2
规格 Spec	导程 (mm) Lead (mm)	110 55
最高速度 (mm/s) Maximum speed (mm/s)	5500	
电机额定转速 (RPM) Rated speed of motor (RPM)	3000	
最大可搬重量 Maximum Payload	14	28
标准行程 (mm) Stroke pitch (mm)	150~3050mm/100 间隔100 mm Pitch	
部品 Parts	基座材质 Material of base	硬质挤压铝材A1 Hard extruded aluminum A1
使用环境 Operating environment	0~40°C, 85%RH(无凝结) No condensation	

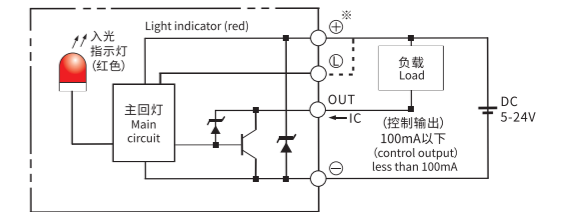
注1: 使用非上述功率电机时请依据实际参数推算。
Note 1: When using a motor with a power other than the above, please calculate according to the actual parameters.

注2: 最高速度因行程和负载而异, 当螺杆细长比大于1:50时, 可能会因螺杆临界速度产生共振和抖动, 应适当下调运行速度, 一般螺杆每增长100mm, 速度应下调10~15%。
Note 2: The maximum speed varies with stroke and load. When the screw slenderness ratio is greater than 1:50, resonance and jitter may occur due to the critical speed of the screw, so the running speed should be reduced appropriately. Generally, the speed should be reduced by 10~15% for every 100mm increase of the screw.

容许负载力矩表 N.m Allowable overhang

(单位Unit:mm)				(单位Unit:mm)					
水平安装 Horizontal installation	A	B	C	侧面安装 Side mounting	A	B	C		
负载 Load	5kg	1794	688	538	负载 Load	5kg	348	446	1170
	10kg	858	324	253		10kg	285	365	961
	20kg	670	251	197		20kg	197	251	670

感应器连接图<原点及端点> Sensor layout



HNR-E
HNB-E
HFR
HNR
HCR
HNB
HCB
HNT
XYZ
参考资料 Reference data

静态容许负载惯量 Static loading moment

(单位Unit:N.m)	
MY	150
MP	150
MR	130

*力矩表所表示的数据, 代表重心。
The torque value in the chart indicate the center of gravity.

*符合型录规范的正常试用下, 保证寿命为10000公里。
Operation life is 10,000km when the product is using under the specified conditions.

*倒吊使用无法套用标准规范, 如有需求请咨询我司业务。
The standard specification cannot be applied to the use of inverted crane. Please consult our business if necessary.

搭配伺服马达一览表 Suitable motor brand

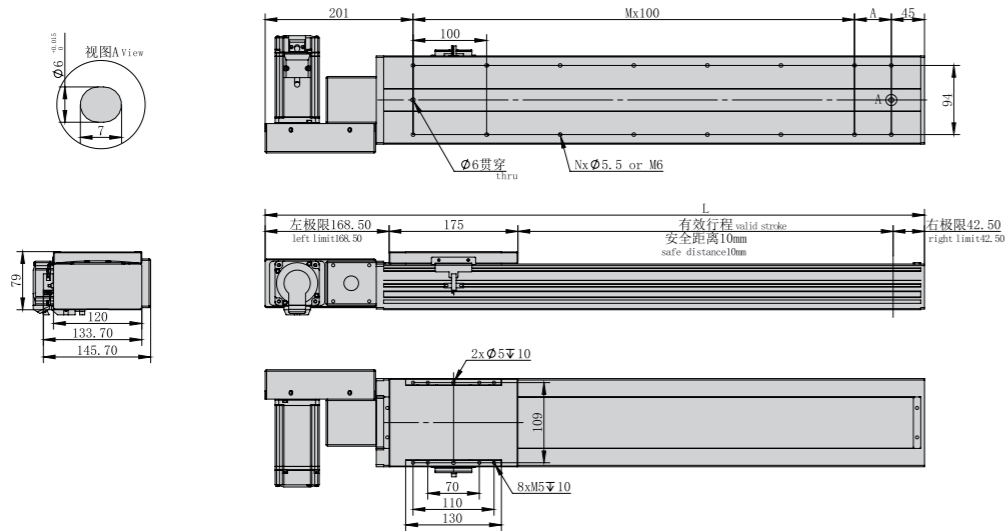
品牌 Brand	马达记号 Mark	刹车有无 Brake	马达容量 Motor capacity	电源电压 AC-Voltage	伺服马达型号 Servo motor model	驱动器型号 Driver Model
三菱 Mitsubishi	M	无刹车(水平式样) No brake (horizontal type)	400	220	HG-KN43J-S100	MR-JE-40A
松下 Panasonic	P	无刹车(水平式样) No brake (horizontal type)	400	220	MHMF042L1U2M	MBDLN25SE
台达 Delta	T	无刹车(水平式样) No brake (horizontal type)	400	220	ECM-B3M-C20604RS1	ASD-B3-0421-L



电机外置左侧/电机外置右侧
Motor external left side / Motor external right side

ML 电机外置左侧 Motor external left side

单位:Unit: mm



*不含电机重量。*Motor weight not included.

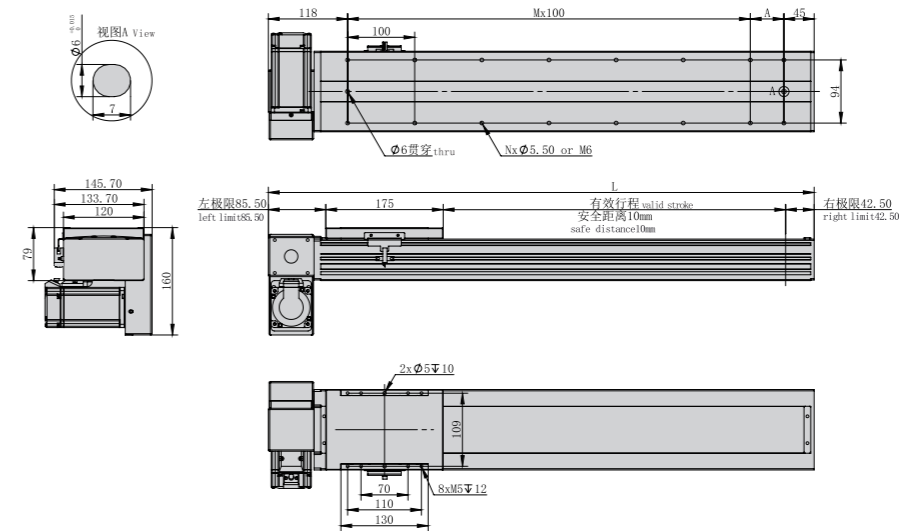
有效行程 Stroke	150	250	350	450	550	650	750	850	950	1050	1150	1250	1350	1450	1550	1650	1750	1850	1950	2050	2150	2250	2350	2450	2550	2650	2750	2850	2950	3050
L	546	646	746	846	946	1046	1146	1246	1346	1446	1546	1646	1746	1846	1946	2046	2146	2246	2346	2446	2546	2646	2746	2846	2946	3046	3146	3246	3346	3446
A	100	100	100	100	100	100	100	100	100	100	100	100	100	100	100	100	100	100	100	100	100	100	100	100	100	100	100	100	100	100
N	8	10	12	14	16	18	20	22	24	26	28	30	32	34	36	38	40	42	44	46	48	50	52	54	56	58	60	62	64	66
M	2	3	4	5	6	7	8	9	10	11	12	13	14	15	16	17	18	19	20	21	22	23	24	25	26	27	28	29	30	31
KG	7	8	9	10	11	12	13	14	15	16	17	18	19	20	21	22	23	24	25	26	27	28	29	30	31	32	33	34	35	36

如有超长行程及定制需求,请咨询我司业务。If you have extra long trip and custom requirements, please consult our business.

电机外置左下/电机外置左上
Motor external lower left / Motor external upper left

LP 电机外置左下 Motor external lower left

单位:Unit: mm



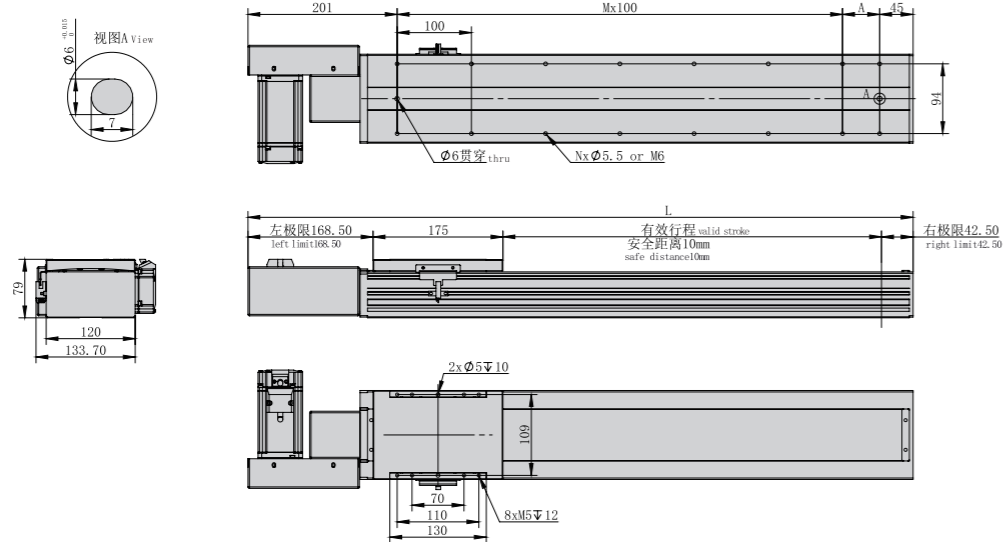
*不含电机重量。*Motor weight not included.

有效行程 Stroke	150	250	350	450	550	650	750	850	950	1050	1150	1250	1350	1450	1550	1650	1750	1850	1950	2050	2150	2250	2350	2450	2550	2650	2750	2850	2950	3050
L	463	563	663	763	863	963	1063	1163	1263	1363	1463	1563	1663	1763	1863	1963	2063	2163	2263	2363	2463	2563	2663	2763	2863	2963	3063	3163	3263	3363
A	100	100	100	100	100	100	100	100	100	100	100	100	100	100	100	100	100	100	100	100	100	100	100	100	100	100	100	100	100	100
N	8	10	12	14	16	18	20	22	24	26	28	30	32	34	36	38	40	42	44	46	48	50	52	54	56	58	60	62	64	66
M	2	3	4	5	6	7	8	9	10	11	12	13	14	15	16	17	18	19	20	21	22	23	24	25	26	27	28	29	30	31
KG	7	8	9	10	11	12	13	14	15	16	17	18	19	20	21	22	23	24	25	26	27	28	29	30	31	32	33	34	35	36

如有超长行程及定制需求,请咨询我司业务。If you have extra long trip and custom requirements, please consult our business.

MR 电机外置右侧 Motor external right side

单位:Unit: mm



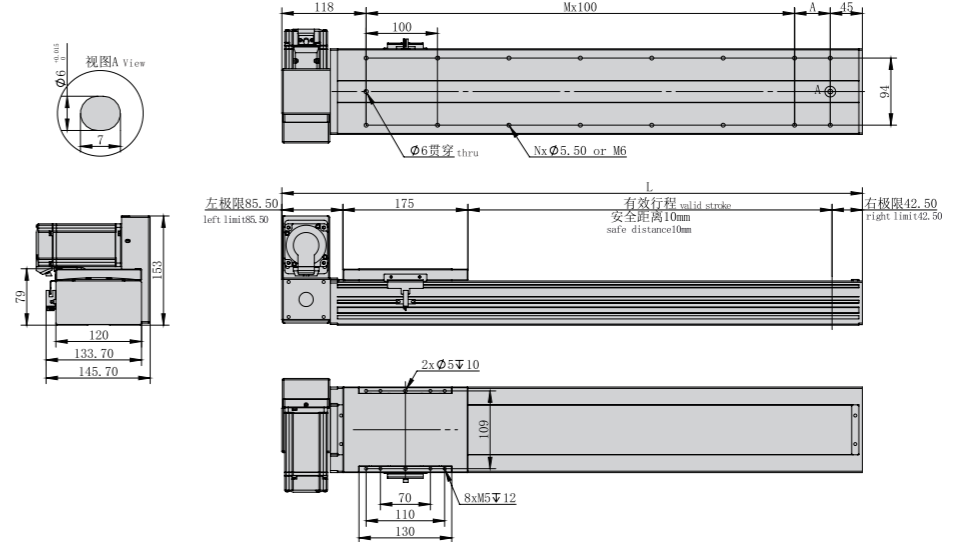
*不含电机重量。*Motor weight not included.

有效行程 Stroke	150	250	350	450	550	650	750	850	950	1050	1150	1250	1350	1450	1550	1650	1750	1850	1950	2050	2150	2250	2350	2450	2550	2650	2750	2850	2950	3050
L	546	646	746	846	946	1046	1146	1246	1346	1446	1546	1646	1746	1846	1946	2046	2146	2246	2346	2446	2546	2646	2746	2846	2946	3046	3146	3246	3346	3446
A	100	100	100	100	100	100	100	100	100	100	100	100	100	100	100	100	100	100	100	100	100	100	100	100	100	100	100	100	100	100
N	8	10	12	14	16	18	20	22	24	26	28	30	32	34	36	38	40	42	44	46	48	50	52	54	56	58	60	62	64	66
M	2	3	4	5	6	7	8	9	10	11	12	13	14	15	16	17	18	19	20	21	22	23	24	25	26	27	28	29	30	31
KG	7	8	9	10	11	12	13	14	15	16	17	18	19	20	21	22	23	24	25	26	27	28	29	30	31	32	33	34	35	36

如有超长行程及定制需求,请咨询我司业务。If you have extra long trip and custom requirements, please consult our business.

LU 电机外置左上 Motor external upper left

单位:Unit: mm



*不含电机重量。*Motor weight not included.

有效行程 Stroke	150	250	350	450	550	650	750	850	950	1050	1150	1250	1350	1450	1550	1650	1750	1850	1950	2050	2150	2250	2350	2450	2550	2650	2750	2850	2950	3050
L	463	563	663	763	863	963	1063	1163	1263	1363	1463	1563	1663	1763	1863	1963	2063	2163	2263	2363	2463	2563	2663	2763	2863	2963	3063	3163	3263	3363
A	100	100	100	100	100	100	100	100	100	100	100	100	100	100	100	100	100	100	100	100	100	100	100	100	100	100	100	100	100	100
N	8	10	12	14	16	18	20	22	24	26	28	30	32	34	36	38	40	42	44	46	48	50	52	54	56	58	60	62	64	66
M	2	3	4	5	6	7	8	9	10	11	12	13	14	15	16	17	18	19	20	21	22	23	24	25	26	27	28	29	30	31
KG	7	8	9	10	11	12	13	14	15	16	17	18	19	20	21	22	23	24	25	26	27	28	29	30	31	32	33	34	35	36

如有超长行程及定制需求,请咨询我司业务。If you have extra long trip and custom requirements, please consult our business.

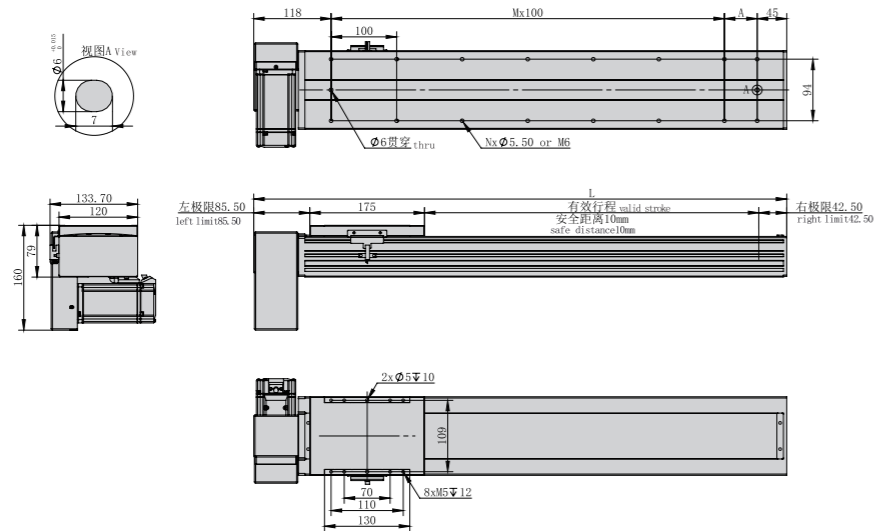
HNR-E
HNB-E
HFR
HNR
HCR
HNB
HCB
HNT
XYZ
参考资料 Reference data



电机外置右下/电机外置右上
Motor external lower right / Motor external upper right

RP 电机外置右下 Motor external lower right

单位:Unit: mm



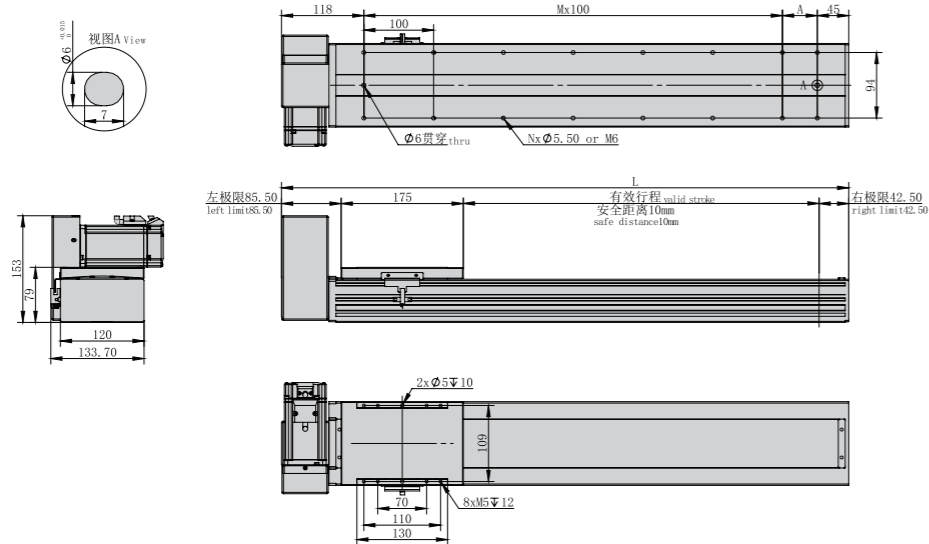
*不含电机重量。*Motor weight not included.

有效行程 Stroke	150	250	350	450	550	650	750	850	950	1050	1150	1250	1350	1450	1550	1650	1750	1850	1950	2050	2150	2250	2350	2450	2550	2650	2750	2850	2950	3050
L	463	563	663	763	863	963	1063	1163	1263	1363	1463	1563	1663	1763	1863	1963	2063	2163	2263	2363	2463	2563	2663	2763	2863	2963	3063	3163	3263	3363
A	100	100	100	100	100	100	100	100	100	100	100	100	100	100	100	100	100	100	100	100	100	100	100	100	100	100	100	100	100	100
N	8	10	12	14	16	18	20	22	24	26	28	30	32	34	36	38	40	42	44	46	48	50	52	54	56	58	60	62	64	66
M	2	3	4	5	6	7	8	9	10	11	12	13	14	15	16	17	18	19	20	21	22	23	24	25	26	27	28	29	30	31
KG	7	8	9	10	11	12	13	14	15	16	17	18	19	20	21	22	23	24	25	26	27	28	29	30	31	32	33	34	35	36

如有超长行程及定制需求,请咨询我司业务。If you have extra long trip and custom requirements, please consult our business.

RU 电机外置右上 Motor external upper right

单位:Unit: mm



*不含电机重量。*Motor weight not included.

有效行程 Stroke	150	250	350	450	550	650	750	850	950	1050	1150	1250	1350	1450	1550	1650	1750	1850	1950	2050	2150	2250	2350	2450	2550	2650	2750	2850	2950	3050
L	463	563	663	763	863	963	1063	1163	1263	1363	1463	1563	1663	1763	1863	1963	2063	2163	2263	2363	2463	2563	2663	2763	2863	2963	3063	3163	3263	3363
A	100	100	100	100	100	100	100	100	100	100	100	100	100	100	100	100	100	100	100	100	100	100	100	100	100	100	100	100	100	100
N	8	10	12	14	16	18	20	22	24	26	28	30	32	34	36	38	40	42	44	46	48	50	52	54	56	58	60	62	64	66
M	2	3	4	5	6	7	8	9	10	11	12	13	14	15	16	17	18	19	20	21	22	23	24	25	26	27	28	29	30	31
KG	7	8	9	10	11	12	13	14	15	16	17	18	19	20	21	22	23	24	25	26	27	28	29	30	31	32	33	34	35	36

如有超长行程及定制需求,请咨询我司业务。If you have extra long trip and custom requirements, please consult our business.

MEMO

HNR-E
HNB-E
HFR
HNR
HCR
HNB
HCB
HNT
XYZ
参考资料
Reference
data



重复精度
Repeat Accuracy
±0.04 mm

此图仅供参考, 出货规格详见尺寸图面
This drawing is for reference only, Please refer to the size drawing for shipment specifications.

最大行程
Max stroke 3050mm

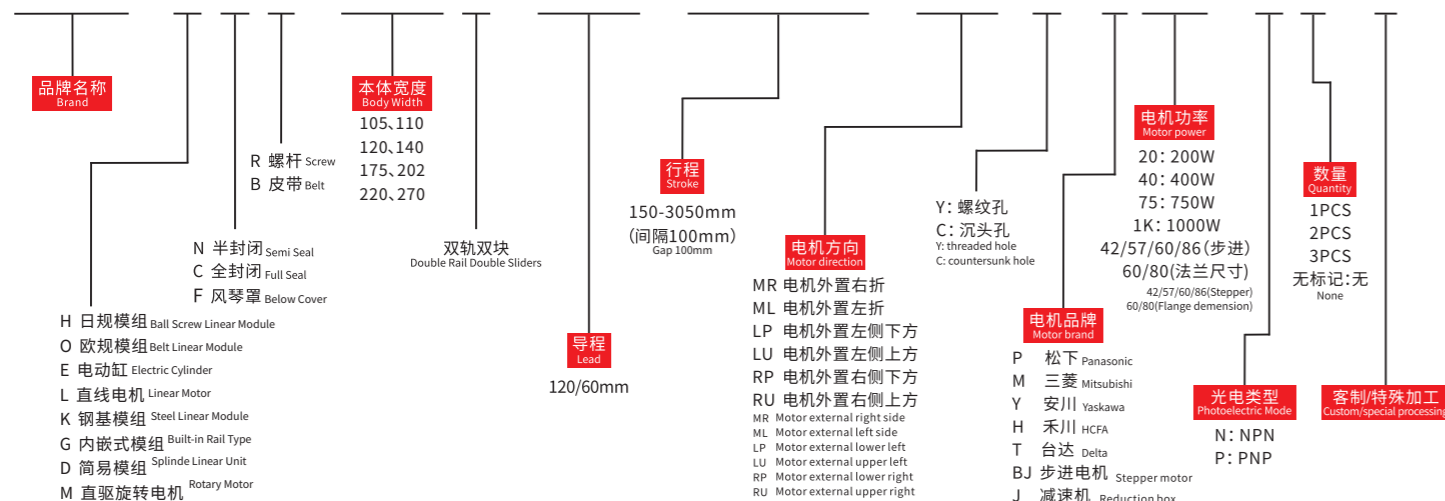
最高速度
Max speed 6000mm/s

马达容量
Motor output 400W

直线滑轨
Linear guide 15X12.5-2支

型号表达方式 Ordering method

TPA-HCB-140D-120-L3050-MR-Y-P40-N3-F



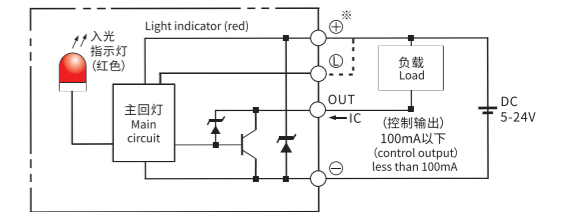
产品性能参数如下 Product performance parameters are as follows

电机功率 (W) Motor power (W)	400	
重复定位精度 (mm) Repeated positioning accuracy (mm)	±0.04	
减速比 (mm) Reduction ratio	1:1	1:2
规格 Spec	导程 (mm) Lead (mm)	120 60
最高速度 (mm/s) Maximum speed (mm/s)	6000	
电机额定转速 (RPM) Rated speed of motor (RPM)	3000	
最大可搬重量 Maximum Payload	18	36
标准行程 (mm) Stroke pitch (mm)	150~3050mm/100 间隔100 mm Pitch	
部品 Parts	基座材质 Material of base	硬质挤压铝材A1 Hard extruded aluminum A1
使用环境 Operating environment	0~40°C, 85%RH(无凝结) No condensation	

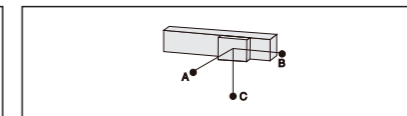
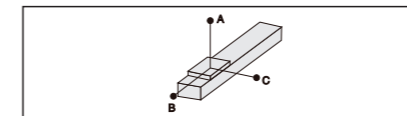
注1: 使用非上述功率电机时请依据实际参数推算。
Note 1: When using a motor with a power other than the above, please calculate according to the actual parameters.

注2: 最高速度因行程和负载而异, 当螺杆细长比大于1:50时, 可能会因螺杆临界速度产生共振和抖动, 应适当下调运行速度, 一般螺杆每增长100mm, 速度应下调10~15%。
Note 2: The maximum speed varies with stroke and load. When the screw slenderness ratio is greater than 1:50, resonance and jitter may occur due to the critical speed of the screw, so the running speed should be reduced appropriately. Generally, the speed should be reduced by 10~15% for every 100mm increase of the screw.

感应器连接图<原点及端点> Sensor layout

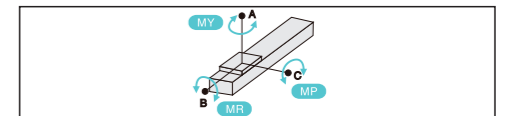


容许负载力矩表 N.m Allowable overhang



水平安装 Horizontal installation (单位Unit:mm)				侧面安装 Side mounting (单位Unit:mm)				
负载 Load	重量 Weight	A	B	C	重量 Weight	A	B	C
5kg	5kg	2629	1279	1150	5kg	1365	1219	2339
	10kg	1559	719	712	10kg	699	649	1319
	20kg	1209	475	434	20kg	379	385	935
	32kg	766	310	288	32kg	199	220	600

静态容许负载惯量 Static loading moment



惯量 Inertia	容许值 Allowable value (单位Unit:N.m)
MY	551
MP	552
MR	485

*力矩表所表示的数据, 代表重心。
The torque value in the chart indicate the center of gravity.

*符合型录规范的正常试用下, 保证寿命为10000公里。
Operation life is 10,000km when the product is using under the specified conditions.

*倒吊使用无法套用标准规范, 如有需求请咨询我司业务。
The standard specification cannot be applied to the use of inverted crane. Please consult our business if necessary.

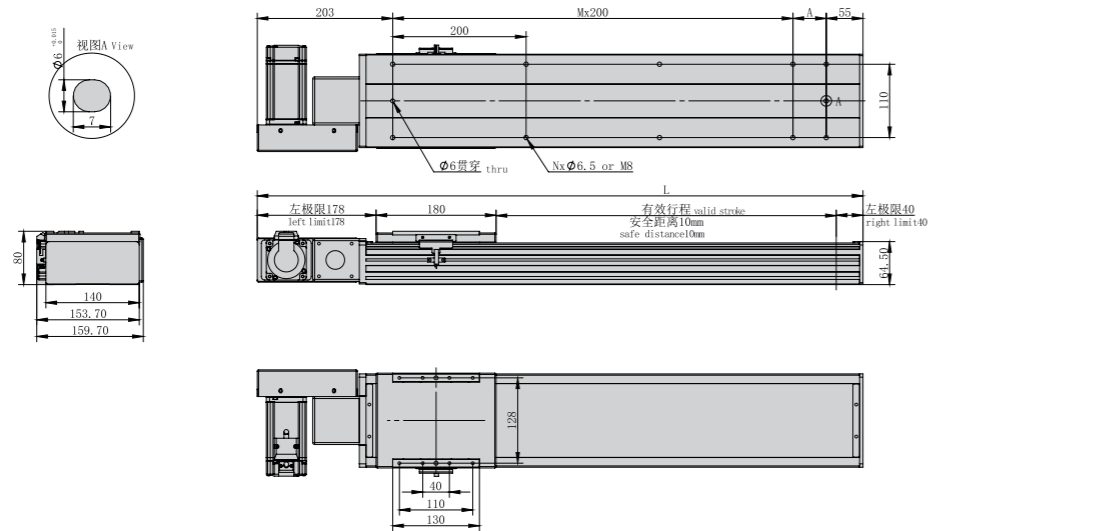
搭配伺服马达一览表 Suitable motor brand

品牌 Brand	马达记号 Mark	刹车有无 Brake	马达容量 Motor capacity	电源电压 AC-Voltage	伺服马达型号 Servo motor model	驱动器型号 Driver Model
三菱 Mitsubishi	M	无刹车(水平式样) No brake (horizontal type)	400	220	HG-KN43J-S100	MR-JE-40A
松下 Panasonic	P	无刹车(水平式样) No brake (horizontal type)	400	220	MHMF042L1U2M	MBDLN25SE
台达 Delta	T	无刹车(水平式样) No brake (horizontal type)	400	220	ECM-B3M-C20604RS1	ASD-B3-0421-L



电机外置左侧/电机外置右侧
Motor external left side / Motor external right side

ML 电机外置左侧 Motor external left side



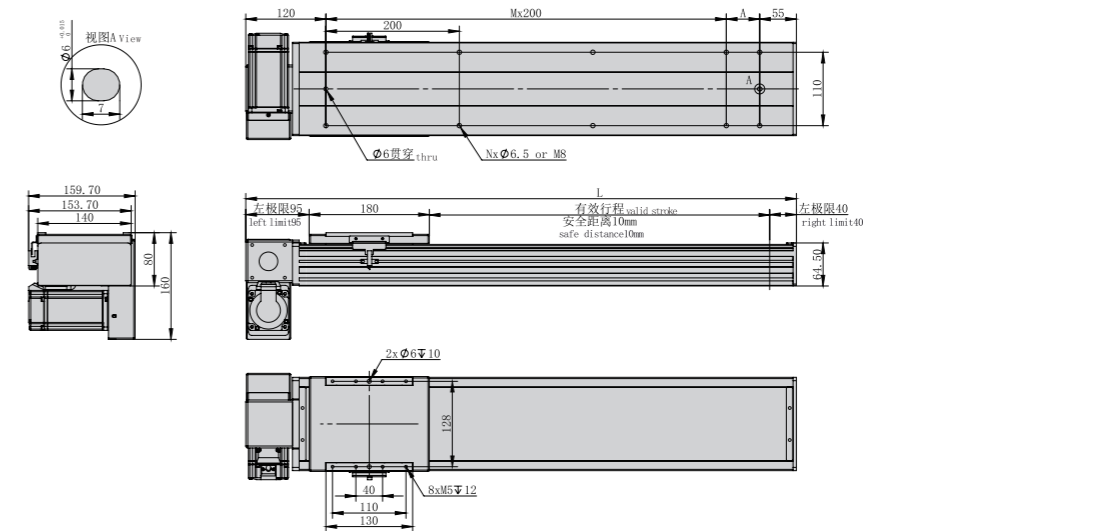
*不含电机重量。*Motor weight not included.

有效行程 Stroke	150	250	350	450	550	650	750	850	950	1050	1150	1250	1350	1450	1550	1650	1750	1850	1950	2050	2150	2250	2350	2450	2550	2650	2750	2850	2950	3050
L	558	658	758	858	958	1058	1158	1258	1358	1458	1558	1658	1758	1858	1958	2058	2158	2258	2358	2458	2558	2658	2758	2858	2958	3058	3158	3258	3358	3458
A	100	200	100	200	100	200	100	200	100	200	100	200	100	200	100	200	100	200	100	200	100	200	100	200	100	200	100	200	100	200
N	6	6	8	8	10	10	12	12	14	14	16	16	18	18	20	20	22	22	24	24	26	26	28	28	30	30	32	32	34	34
M	1	1	2	2	3	3	4	4	5	5	6	6	7	7	8	8	9	9	10	10	11	11	12	12	13	13	14	14	15	15
KG	8.5	9	9.5	10	10.5	11	11.5	12	12.5	13	13.5	14	14.5	15	15.5	16	16.5	17	17.5	18	18.5	19	19.5	20	20.5	21	21.5	22	22.5	23

如有超长行程及定制需求,请咨询我司业务。If you have extra long trip and custom requirements, please consult our business.

电机外置左下/电机外置左上
Motor external lower left / Motor external upper left

LP 电机外置左下 Motor external lower left

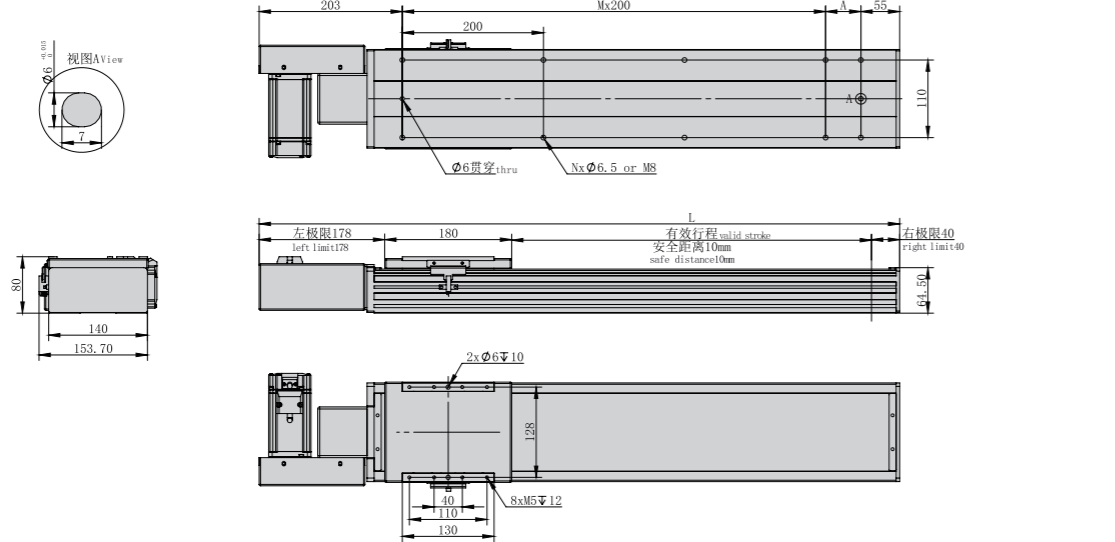


*不含电机重量。*Motor weight not included.

有效行程 Stroke	150	250	350	450	550	650	750	850	950	1050	1150	1250	1350	1450	1550	1650	1750	1850	1950	2050	2150	2250	2350	2450	2550	2650	2750	2850	2950	3050
L	475	575	675	775	875	975	1075	1175	1275	1375	1475	1575	1675	1775	1875	1975	2075	2175	2275	2375	2475	2575	2675	2775	2875	2975	3075	3175	3275	3375
A	100	200	100	200	100	200	100	200	100	200	100	200	100	200	100	200	100	200	100	200	100	200	100	200	100	200	100	200	100	200
N	6	6	8	8	10	10	12	12	14	14	16	16	18	18	20	20	22	22	24	24	26	26	28	28	30	30	32	32	34	34
M	1	1	2	2	3	3	4	4	5	5	6	6	7	7	8	8	9	9	10	10	11	11	12	12	13	13	14	14	15	15
KG	8.5	9	9.5	10	10.5	11	11.5	12	12.5	13	13.5	14	14.5	15	15.5	16	16.5	17	17.5	18	18.5	19	19.5	20	20.5	21	21.5	22	22.5	23

如有超长行程及定制需求,请咨询我司业务。If you have extra long trip and custom requirements, please consult our business.

MR 电机外置右侧 Motor external right side

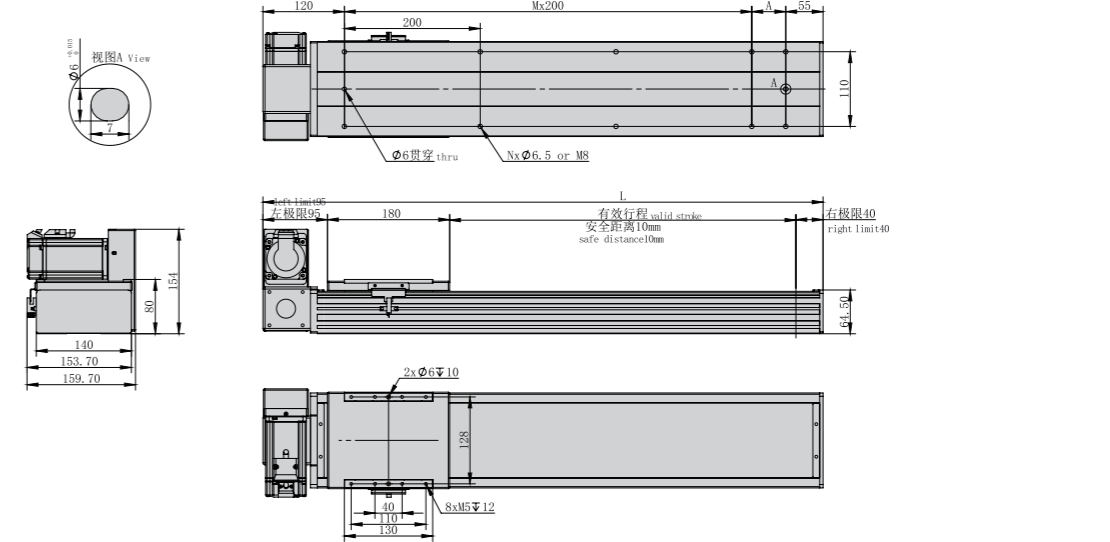


*不含电机重量。*Motor weight not included.

有效行程 Stroke	150	250	350	450	550	650	750	850	950	1050	1150	1250	1350	1450	1550	1650	1750	1850	1950	2050	2150	2250	2350	2450	2550	2650	2750	2850	2950	3050
L	558	658	758	858	958	1058	1158	1258	1358	1458	1558	1658	1758	1858	1958	2058	2158	2258	2358	2458	2558	2658	2758	2858	2958	3058	3158	3258	3358	3458
A	100	200	100	200	100	200	100	200	100	200	100	200	100	200	100	200	100	200	100	200	100	200	100	200	100	200	100	200	100	200
N	6	6	8	8	10	10	12	12	14	14	16	16	18	18	20	20	22	22	24	24	26	26	28	28	30	30	32	32	34	34
M	1	1	2	2	3	3	4	4	5	5	6	6	7	7	8	8	9	9	10	10	11	11	12	12	13	13	14	14	15	15
KG	8.5	9	9.5	10	10.5	11	11.5	12	12.5	13	13.5	14	14.5	15	15.5	16	16.5	17	17.5	18	18.5	19	19.5	20	20.5	21	21.5	22	22.5	23

如有超长行程及定制需求,请咨询我司业务。If you have extra long trip and custom requirements, please consult our business.

LU 电机外置左上 Motor external upper left



*不含电机重量。*Motor weight not included.

有效行程 Stroke	150	250	350	450	550	650	750	850	950	1050	1150	1250	1350	1450	1550	1650	1750	1850	1950	2050	2150	2250	2350	2450	2550	2650	2750	2850	2950	3050
L	475	575	675	775	875	975	1075	1175	1275	1375	1475	1575	1675	1775	1875	1975	2075	2175	2275	2375	2475	2575	2675	2775	2875	2975	3075	3175	3275	3375
A	100	200	100	200	100	200	100	200	100	200	100	200	100	200	100	200	100	200	100	200	100	200	100	200	100	200	100	200	100	200
N	6	6	8	8	10	10	12	12	14	14	16	16	18	18	20	20	22	22	24	24	26	26	28	28	30	30	32	32	34	34
M	1	1	2	2	3	3	4	4	5	5	6	6	7	7	8	8	9	9	10	10	11	11	12	12	13	13	14	14	15	15
KG	8.5	9	9.5	10	10.5	11	11.5	12	12.5	13	13.5	14	14.5	15	15.5	16	16.5	17	17.5	18	18.5	19	19.5	20	20.5	21	21.5	22	22.5	23

如有超长行程及定制需求,请咨询我司业务。If you have extra long trip and custom requirements, please consult our business.

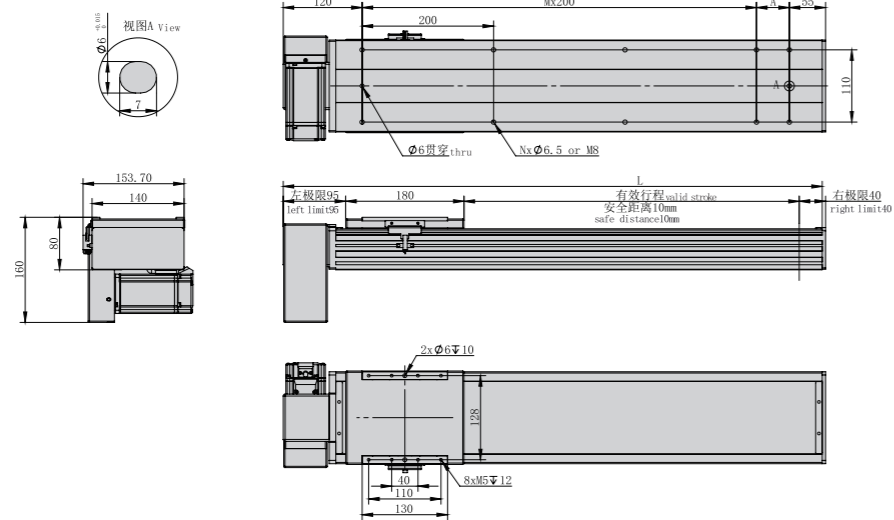
HNR-E
HNB-E
HFR
HNR
HCR
HNB
HCB
HNT
XYZ
参考资料
Reference data



电机外置右下/电机外置右上
Motor external lower right / Motor external upper right

RP 电机外置右下 Motor external lower right

单位:Unit:mm



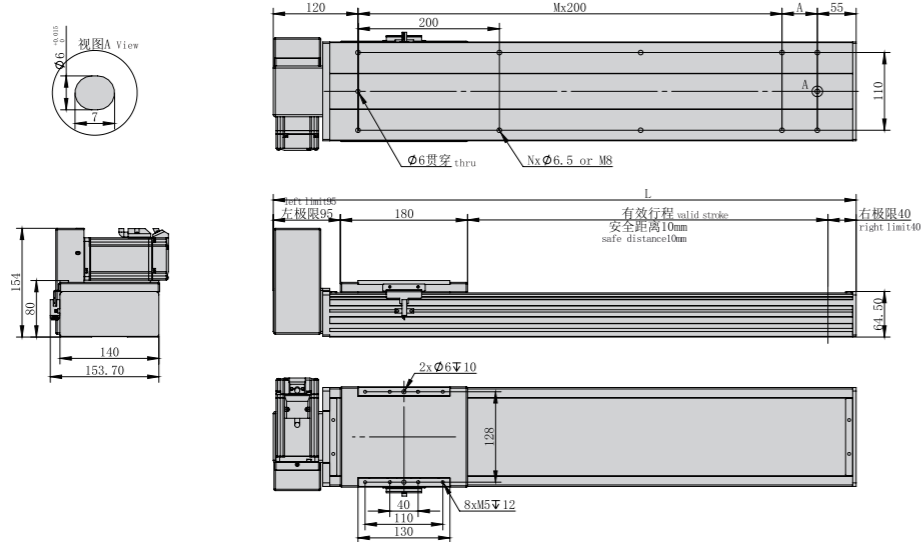
*不含电机重量。*Motor weight not included.

有效行程 Stroke	150	250	350	450	550	650	750	850	950	1050	1150	1250	1350	1450	1550	1650	1750	1850	1950	2050	2150	2250	2350	2450	2550	2650	2750	2850	2950	3050
L	475	575	675	775	875	975	1075	1175	1275	1375	1475	1575	1675	1775	1875	1975	2075	2175	2275	2375	2475	2575	2675	2775	2875	2975	3075	3175	3275	3375
A	100	200	100	200	100	200	100	200	100	200	100	200	100	200	100	200	100	200	100	200	100	200	100	200	100	200	100	200	100	200
N	6	6	8	8	10	10	12	12	14	14	16	16	18	18	20	20	22	22	24	24	26	26	28	28	30	30	32	32	34	34
M	1	1	2	2	3	3	4	4	5	5	6	6	7	7	8	8	9	9	10	10	11	11	12	12	13	13	14	14	15	15
KG	8.5	9	9.5	10	10.5	11	11.5	12	12.5	13	13.5	14	14.5	15	15.5	16	16.5	17	17.5	18	18.5	19	19.5	20	20.5	21	21.5	22	22.5	23

如有超长行程及定制需求,请咨询我司业务。If you have extra long trip and custom requirements, please consult our business.

RU 电机外置右上 Motor external upper right

单位:Unit:mm



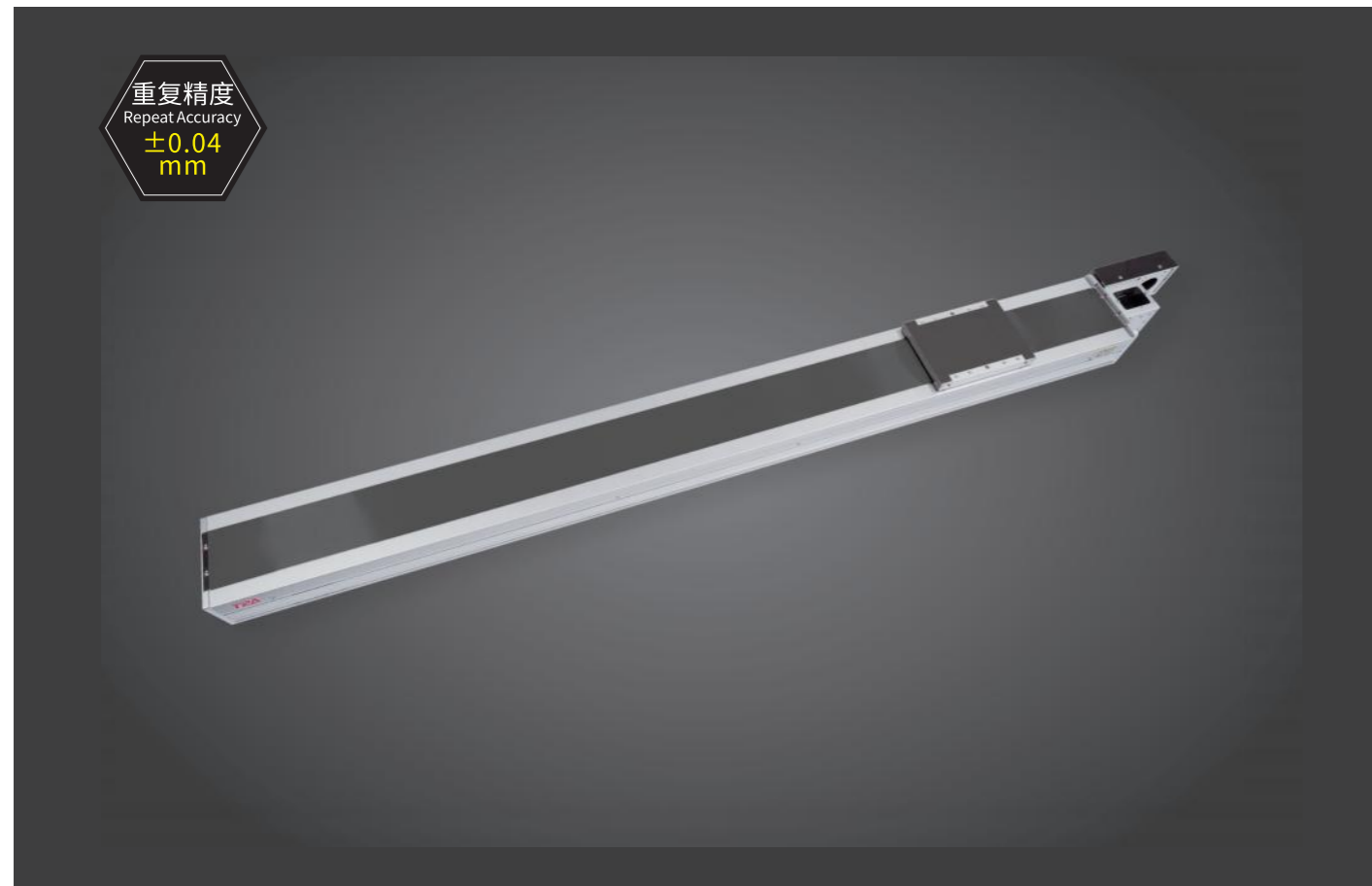
*不含电机重量。*Motor weight not included.

有效行程 Stroke	150	250	350	450	550	650	750	850	950	1050	1150	1250	1350	1450	1550	1650	1750	1850	1950	2050	2150	2250	2350	2450	2550	2650	2750	2850	2950	3050
L	475	575	675	775	875	975	1075	1175	1275	1375	1475	1575	1675	1775	1875	1975	2075	2175	2275	2375	2475	2575	2675	2775	2875	2975	3075	3175	3275	3375
A	100	200	100	200	100	200	100	200	100	200	100	200	100	200	100	200	100	200	100	200	100	200	100	200	100	200	100	200	100	200
N	6	6	8	8	10	10	12	12	14	14	16	16	18	18	20	20	22	22	24	24	26	26	28	28	30	30	32	32	34	34
M	1	1	2	2	3	3	4	4	5	5	6	6	7	7	8	8	9	9	10	10	11	11	12	12	13	13	14	14	15	15
KG	8.5	9	9.5	10	10.5	11	11.5	12	12.5	13	13.5	14	14.5	15	15.5	16	16.5	17	17.5	18	18.5	19	19.5	20	20.5	21	21.5	22	22.5	23

如有超长行程及定制需求,请咨询我司业务。If you have extra long trip and custom requirements, please consult our business.

MEMO

HNR-E
HN B-E
HFR
HNR
HCR
HN B
HC B
HNT
XYZ
参考资料 Reference data



重复精度
Repeat Accuracy
±0.04 mm

此图仅供参考, 出货规格详见尺寸图面
This drawing is for reference only, Please refer to the size drawing for shipment specifications.

最大行程
Max stroke 3050mm

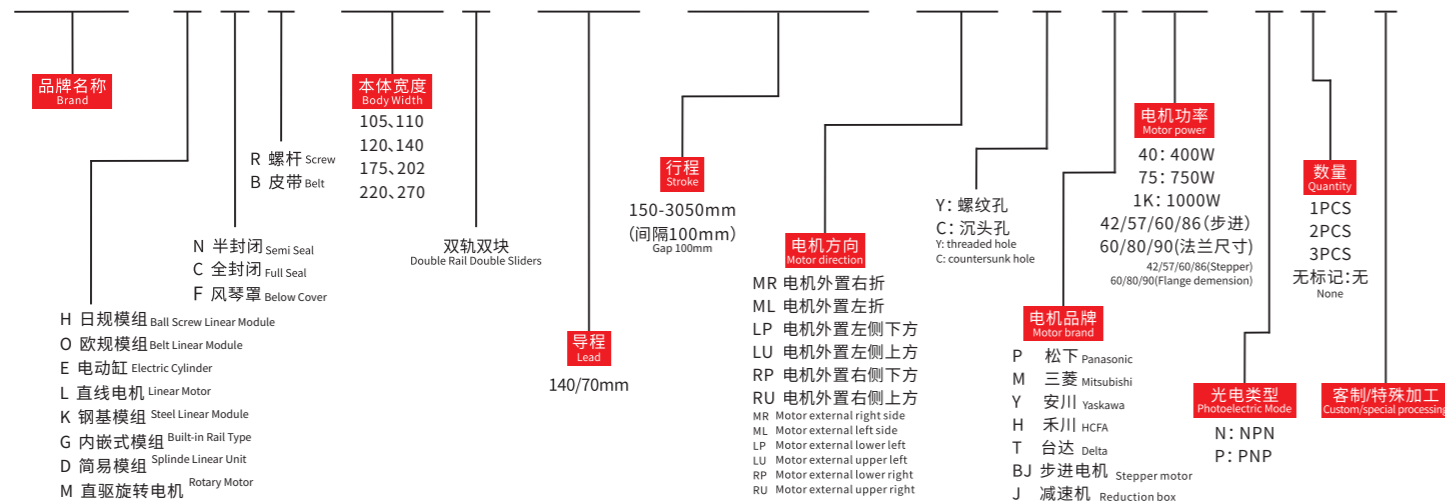
最高速度
Max speed 7000mm/s

马达容量
Motor output 750W

直线滑轨
Linear guide 15X12.5-2支

型号表达方式 Ordering method

TPA-HCB-175D-140-L3050-MR-Y-P75-N3-F



产品性能参数如下 Product performance parameters are as follows

电机功率 (W) Motor power (W)	750	
重复定位精度 (mm) Repeated positioning accuracy (mm)	±0.04	
减速比 (mm) Reduction ratio	1:1	1:2
规格 Spec	导程 (mm) Lead (mm)	140 70
最高速度 (mm/s) Maximum speed (mm/s)	7000	
电机额定转速 (RPM) Rated speed of motor (RPM)	3000	
最大可搬重量 Maximum Payload	30	60
标准行程 (mm) Stroke pitch (mm)	150~3050mm/100 间隔100 mm Pitch	
部品 Parts	基座材质 Material of base	硬质挤压铝材A1 Hard extruded aluminum A1
使用环境 Operating environment	0~40°C, 85%RH(无凝结) No condensation	

注1: 使用非上述功率电机时请依据实际参数推算。
Note 1: When using a motor with a power other than the above, please calculate according to the actual parameters.

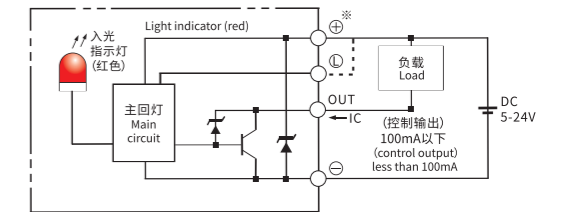
注2: 最高速度因行程和负载而异, 当螺杆细长比大于1:50时, 可能会因螺杆临界速度产生共振和抖动, 应适当下调运行速度, 一般螺杆每增长100mm, 速度应下调10~15%。
Note 2: The maximum speed varies with stroke and load. When the screw slenderness ratio is greater than 1:50, resonance and jitter may occur due to the critical speed of the screw, so the running speed should be reduced appropriately. Generally, the speed should be reduced by 10~15% for every 100mm increase of the screw.

容许负载力矩表 N.m Allowable overhang



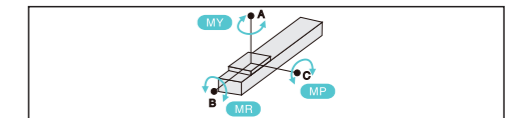
水平安装 Horizontal installation		A	B	C	侧面安装 Side mounting		A	B	C
负载 Load	10kg	2942	1133	1033	负载 Load	15kg	676	742	1933
	20kg	1430	547	498		25kg	390	428	1127
	30kg	926	350	320		35kg	269	294	781
	45kg	588	219	201		45kg	201	219	588

感应器连接图<原点及端点> Sensor layout



HNR-E
HNB-E
HFR
HNR
HCR
HNB
HCB
HNT
XYZ
参考资料 Reference data

静态容许负载惯量 Static loading moment



	(单位Unit: N.m)
MY	1032
MP	1034
MR	908

*力矩表所表示的数据, 代表重心。
The torque value in the chart indicate the center of gravity.

*符合型录规范的正常试用下, 保证寿命为10000公里。
Operation life is 10,000km when the product is using under the specified conditions.

*倒吊使用无法套用标准规范, 如有需求请咨询我司业务。
The standard specification cannot be applied to the use of inverted crane. Please consult our business if necessary.

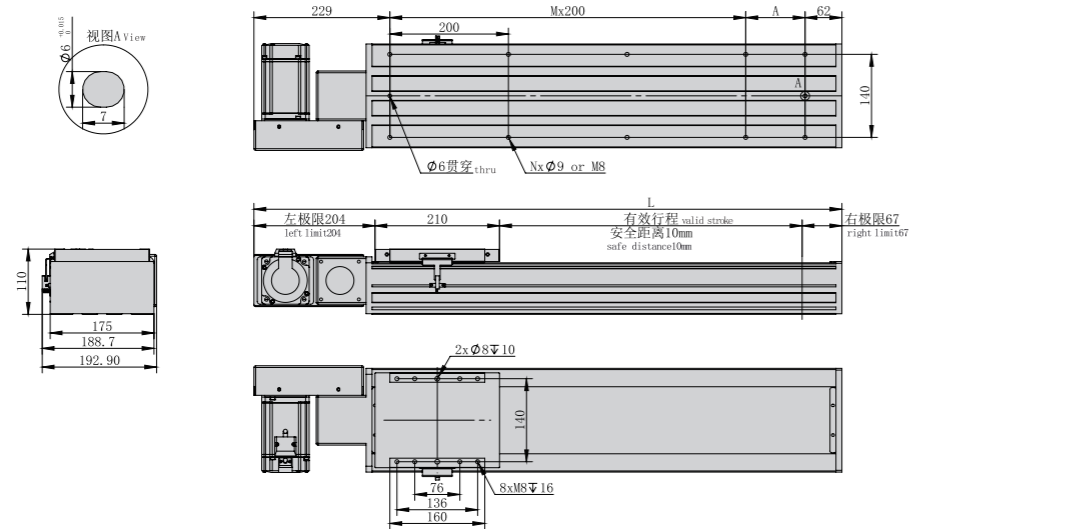
搭配伺服马达一览表 Suitable motor brand

品牌 Brand	马达记号 Mark	刹车有无 Brake	马达容量 Motor capacity	电源电压 AC-Voltage	伺服马达型号 Servo motor model	驱动器型号 Driver Model
三菱 Mitsubishi	M	无刹车(水平式样) No brake (horizontal type)	750	220	HG-KN73J-S100	MR-JE-70A
松下 Panasonic	P	无刹车(水平式样) No brake (horizontal type)	750	220	MHMF082L1U2M	MCDLN35SE
台达 Delta	T	无刹车(水平式样) No brake (horizontal type)	750	220	ECM-B3M-C20807SS1	ASD-B3-0721-L



电机外置左侧/电机外置右侧
Motor external left side / Motor external right side

ML 电机外置左侧 Motor external left side



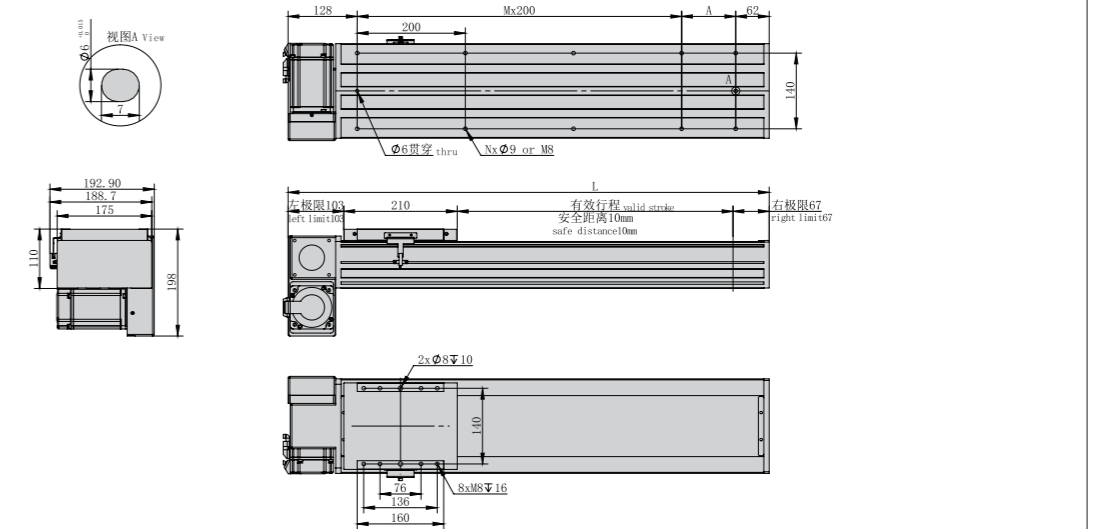
*不含电机重量。*Motor weight not included.

有效行程 Stroke	150	250	350	450	550	650	750	850	950	1050	1150	1250	1350	1450	1550	1650	1750	1850	1950	2050	2150	2250	2350	2450	2550	2650	2750	2850	2950	3050
L	641	741	841	941	1041	1141	1241	1341	1441	1541	1641	1741	1841	1941	2041	2141	2241	2341	2441	2541	2641	2741	2841	2941	3041	3141	3241	3341	3441	3541
A	150	50	150	50	150	50	150	50	150	50	150	50	150	50	150	50	150	50	150	50	150	50	150	50	150	50	150	50	150	50
N	6	8	8	10	10	12	12	14	14	16	16	18	18	20	20	22	22	24	24	26	26	28	28	30	30	32	32	34	34	36
M	2	3	3	4	4	5	5	6	6	7	7	8	8	9	9	10	10	11	11	12	12	13	13	14	14	15	15	16	16	17
KG	10.6	11.6	12.6	13.6	14.6	15.6	16.6	17.6	18.6	19.6	20.6	21.6	22.6	23.6	24.6	25.6	26.6	27.6	28.6	29.6	30.6	31.6	32.6	33.6	34.6	35.6	36.6	37.6	38.6	39.6

如有超长行程及定制需求,请咨询我司业务。If you have extra long trip and custom requirements, please consult our business.

电机外置左下/电机外置左上
Motor external lower left / Motor external upper left

LP 电机外置左下 Motor external lower left

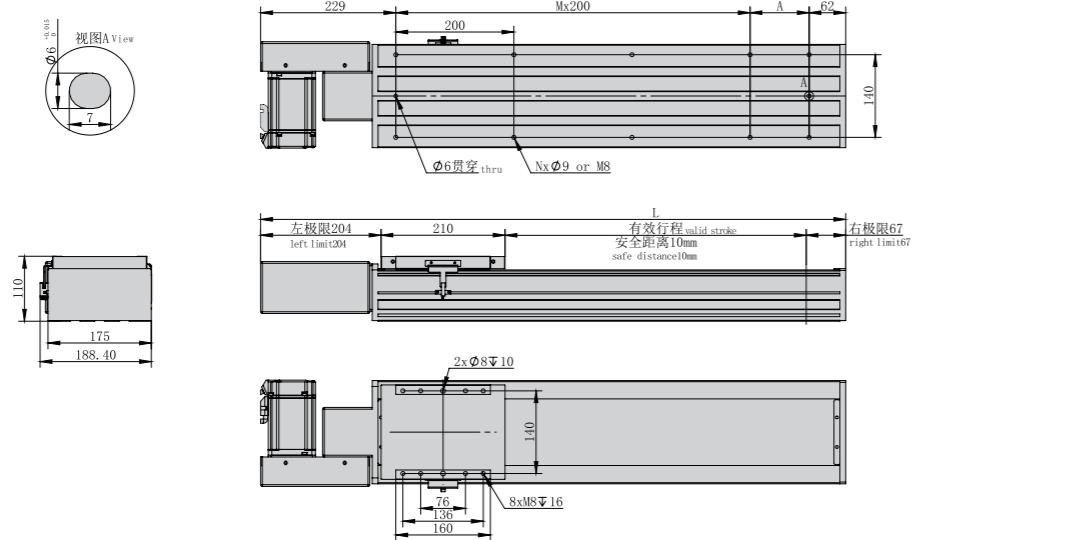


*不含电机重量。*Motor weight not included.

有效行程 Stroke	150	250	350	450	550	650	750	850	950	1050	1150	1250	1350	1450	1550	1650	1750	1850	1950	2050	2150	2250	2350	2450	2550	2650	2750	2850	2950	3050
L	540	640	740	840	940	1040	1140	1240	1340	1440	1540	1640	1740	1840	1940	2040	2140	2240	2340	2440	2540	2640	2740	2840	2940	3040	3140	3240	3340	3440
A	150	50	150	50	150	50	150	50	150	50	150	50	150	50	150	50	150	50	150	50	150	50	150	50	150	50	150	50	150	50
N	6	8	8	10	10	12	12	14	14	16	16	18	18	20	20	22	22	24	24	26	26	28	28	30	30	32	32	34	34	36
M	2	3	3	4	4	5	5	6	6	7	7	8	8	9	9	10	10	11	11	12	12	13	13	14	14	15	15	16	16	17
KG	10.6	11.6	12.6	13.6	14.6	15.6	16.6	17.6	18.6	19.6	20.6	21.6	22.6	23.6	24.6	25.6	26.6	27.6	28.6	29.6	30.6	31.6	32.6	33.6	34.6	35.6	36.6	37.6	38.6	39.6

如有超长行程及定制需求,请咨询我司业务。If you have extra long trip and custom requirements, please consult our business.

MR 电机外置右侧 Motor external right side

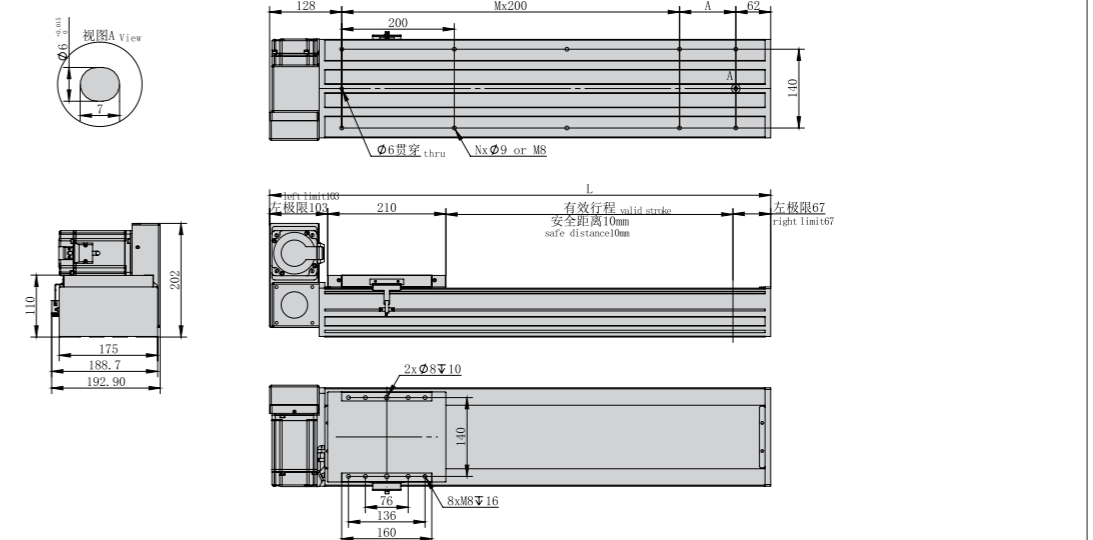


*不含电机重量。*Motor weight not included.

有效行程 Stroke	150	250	350	450	550	650	750	850	950	1050	1150	1250	1350	1450	1550	1650	1750	1850	1950	2050	2150	2250	2350	2450	2550	2650	2750	2850	2950	3050
L	641	741	841	941	1041	1141	1241	1341	1441	1541	1641	1741	1841	1941	2041	2141	2241	2341	2441	2541	2641	2741	2841	2941	3041	3141	3241	3341	3441	3541
A	150	50	150	50	150	50	150	50	150	50	150	50	150	50	150	50	150	50	150	50	150	50	150	50	150	50	150	50	150	50
N	6	8	8	10	10	12	12	14	14	16	16	18	18	20	20	22	22	24	24	26	26	28	28	30	30	32	32	34	34	36
M	2	3	3	4	4	5	5	6	6	7	7	8	8	9	9	10	10	11	11	12	12	13	13	14	14	15	15	16	16	17
KG	10.6	11.6	12.6	13.6	14.6	15.6	16.6	17.6	18.6	19.6	20.6	21.6	22.6	23.6	24.6	25.6	26.6	27.6	28.6	29.6	30.6	31.6	32.6	33.6	34.6	35.6	36.6	37.6	38.6	39.6

如有超长行程及定制需求,请咨询我司业务。If you have extra long trip and custom requirements, please consult our business.

LU 电机外置左上 Motor external upper left



*不含电机重量。*Motor weight not included.

有效行程 Stroke	150	250	350	450	550	650	750	850	950	1050	1150	1250	1350	1450	1550	1650	1750	1850	1950	2050	2150	2250	2350	2450	2550	2650	2750	2850	2950	3050
L	540	640	740	840	940	1040	1140	1240	1340	1440	1540	1640	1740	1840	1940	2040	2140	2240	2340	2440	2540	2640	2740	2840	2940	3040	3140	3240	3340	3440
A	150	50	150	50	150	50	150	50	150	50	150	50	150	50	150	50	150	50	150	50	150	50	150	50	150	50	150	50	150	50
N	6	8	8	10	10	12	12	14	14	16	16	18	18	20	20	22	22	24	24	26	26	28	28	30	30	32	32	34	34	36
M	2	3	3	4	4	5	5	6	6	7	7	8	8	9	9	10	10	11	11	12	12	13	13	14	14	15	15	16	16	17
KG	10.6	11.6	12.6	13.6	14.6	15.6	16.6	17.6	18.6	19.6	20.6	21.6	22.6	23.6	24.6	25.6	26.6	27.6	28.6	29.6	30.6	31.6	32.6	33.6	34.6	35.6	36.6	37.6	38.6	39.6

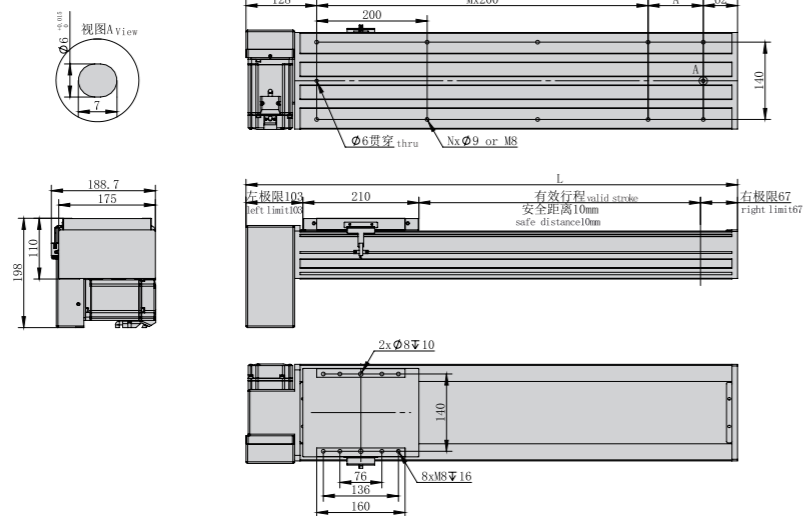
如有超长行程及定制需求,请咨询我司业务。If you have extra long trip and custom requirements, please consult our business.



电机外置右下/电机外置右上
Motor external lower right / Motor external upper right

RP 电机外置右下 Motor external lower right

单位:Unit: mm



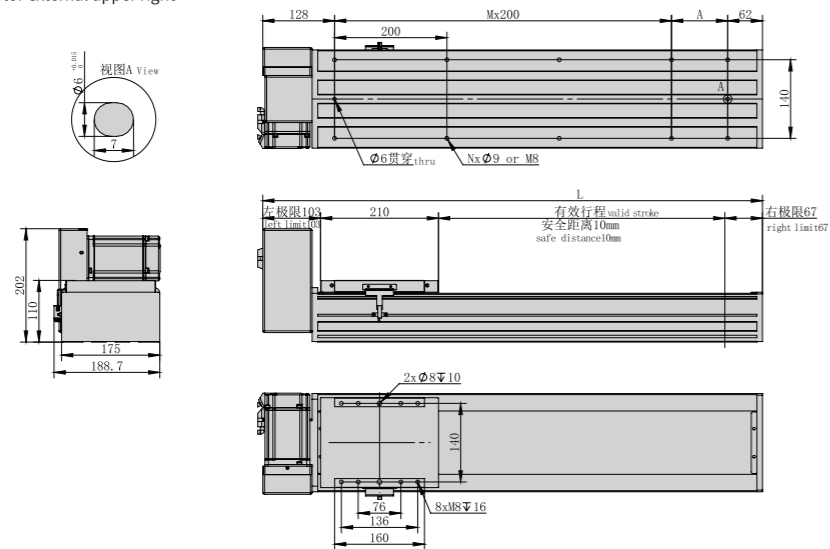
*不含电机重量。*Motor weight not included.

有效行程 Stroke	150	250	350	450	550	650	750	850	950	1050	1150	1250	1350	1450	1550	1650	1750	1850	1950	2050	2150	2250	2350	2450	2550	2650	2750	2850	2950	3050
L	540	640	740	840	940	1040	1140	1240	1340	1440	1540	1640	1740	1840	1940	2040	2140	2240	2340	2440	2540	2640	2740	2840	2940	3040	3140	3240	3340	3440
A	150	50	150	50	150	50	150	50	150	50	150	50	150	50	150	50	150	50	150	50	150	50	150	50	150	50	150	50	150	50
N	6	8	8	10	10	12	12	14	14	16	16	18	18	20	20	22	22	24	24	26	26	28	28	30	30	32	32	34	34	36
M	2	3	3	4	4	5	5	6	6	7	7	8	8	9	9	10	10	11	11	12	12	13	13	14	14	15	15	16	16	17
KG	10.6	11.6	12.6	13.6	14.6	15.6	16.6	17.6	18.6	19.6	20.6	21.6	22.6	23.6	24.6	25.6	26.6	27.6	28.6	29.6	30.6	31.6	32.6	33.6	34.6	35.6	36.6	37.6	38.6	39.6

如有超长行程及定制需求,请咨询我司业务。If you have extra long trip and custom requirements, please consult our business.

RU 电机外置右上 Motor external upper right

单位:Unit: mm



*不含电机重量。*Motor weight not included.

有效行程 Stroke	150	250	350	450	550	650	750	850	950	1050	1150	1250	1350	1450	1550	1650	1750	1850	1950	2050	2150	2250	2350	2450	2550	2650	2750	2850	2950	3050
L	540	640	740	840	940	1040	1140	1240	1340	1440	1540	1640	1740	1840	1940	2040	2140	2240	2340	2440	2540	2640	2740	2840	2940	3040	3140	3240	3340	3440
A	150	50	150	50	150	50	150	50	150	50	150	50	150	50	150	50	150	50	150	50	150	50	150	50	150	50	150	50	150	50
N	6	8	8	10	10	12	12	14	14	16	16	18	18	20	20	22	22	24	24	26	26	28	28	30	30	32	32	34	34	36
M	2	3	3	4	4	5	5	6	6	7	7	8	8	9	9	10	10	11	11	12	12	13	13	14	14	15	15	16	16	17
KG	10.6	11.6	12.6	13.6	14.6	15.6	16.6	17.6	18.6	19.6	20.6	21.6	22.6	23.6	24.6	25.6	26.6	27.6	28.6	29.6	30.6	31.6	32.6	33.6	34.6	35.6	36.6	37.6	38.6	39.6

如有超长行程及定制需求,请咨询我司业务。If you have extra long trip and custom requirements, please consult our business.

MEMO

HNR-E
HNB-E
HFR
HNR
HCR
HNB
HCB
HNT
XYZ
参考资料
Reference data



重复精度
Repeat Accuracy
±0.04 mm

此图仅供参考, 出货规格详见尺寸图
This drawing is for reference only, Please refer to the size drawing for shipment specifications.

最大行程
Max stroke 3050mm

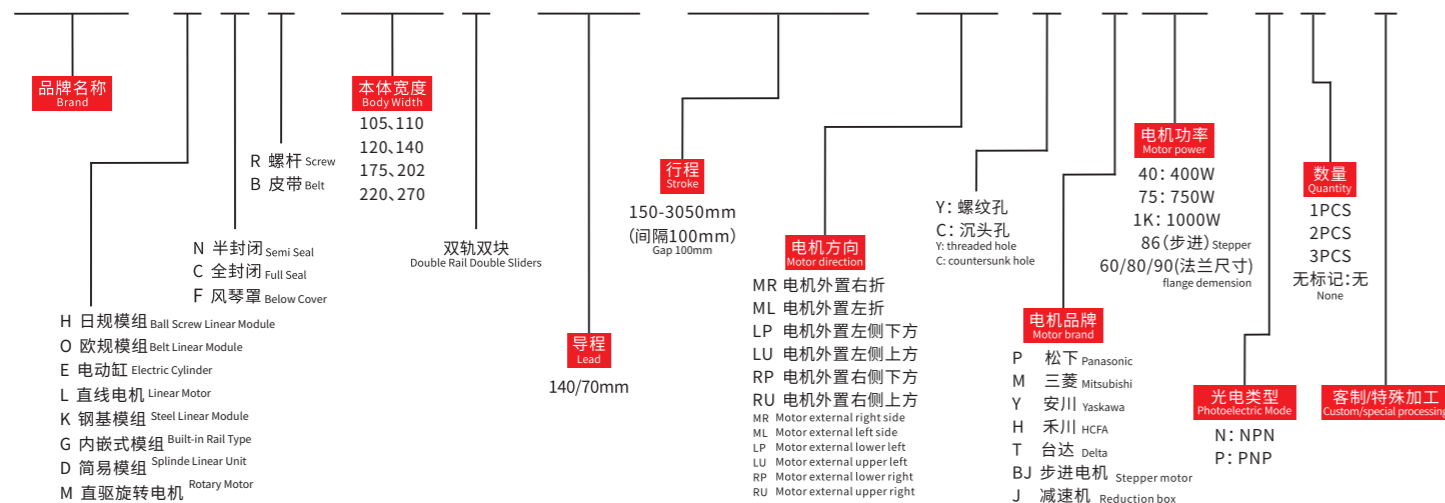
最高速度
Max speed 7000mm/s

马达容量
Motor output 750W

直线滑轨
Linear guide 25X22-2支

型号表达方式 Ordering method

TPA-HCB-202D-140-L3050-MR-Y-P75-N3-F



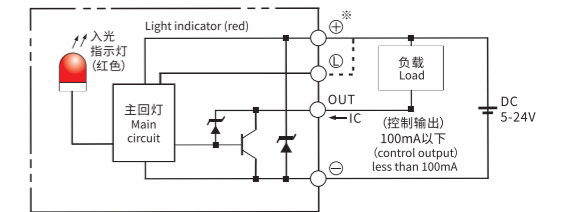
产品性能参数如下 Product performance parameters are as follows

电机功率 (W) Motor power (W)	750	
重复定位精度 (mm) Repeated positioning accuracy (mm)	±0.04	
减速比 (mm) Reduction ratio	1:1	1:2
规格 Spec		
导程 (mm) Lead (mm)	140	70
最高速度 (mm/s) Maximum speed (mm/s)	7000	
电机额定转速 (RPM) Rated speed of motor (RPM)	3000	
最大可搬重量 Maximum Payload	40	80
标准行程 (mm) Stroke pitch (mm)	150~3050mm/100 间隔100 mm Pitch	
部品 Parts		
基座材质 Material of base	硬质挤压铝材A1 Hard extruded aluminum A1	
使用环境 Operating environment	0~40°C, 85%RH (无凝结) No condensation	

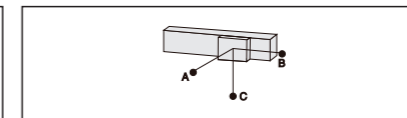
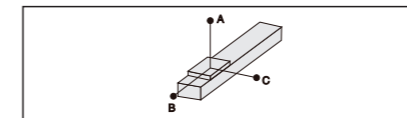
注1: 使用非上述功率电机时请依据实际参数推算。
Note 1: When using a motor with a power other than the above, please calculate according to the actual parameters.

注2: 最高速度因行程和负载而异, 当螺杆细长比大于1:50时, 可能会因螺杆临界速度产生共振和抖动, 应适当下调运行速度, 一般螺杆每增长100mm, 速度应下调10~15%。
Note 2: The maximum speed varies with stroke and load. When the screw slenderness ratio is greater than 1:50, resonance and jitter may occur due to the critical speed of the screw, so the running speed should be reduced appropriately. Generally, the speed should be reduced by 10~15% for every 100mm increase of the screw.

感应器连接图<原点及端点> Sensor layout

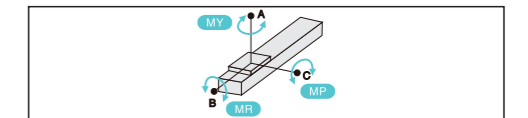


容许负载力矩表 N.m Allowable overhang



(单位Unit:mm)				(单位Unit:mm)			
水平安装 Horizontal installation	A	B	C	侧面安装 Side mounting	A	B	C
负载 Load	45kg	1588	600	40kg	500	685	1805
	65kg	1052	328	60kg	315	430	1152
	85kg	768	281	85kg	206	281	768

静态容许负载惯量 Static loading moment



(单位Unit:N.m)	
MY	2052
MP	2052
MR	1810

*力矩表所表示的数据, 代表重心。
The torque value in the chart indicate the center of gravity.

*符合型录规范的正常试用下, 保证寿命为10000公里。
Operation life is 10,000km when the product is using under the specified conditions.

*倒吊使用无法套用标准规范, 如有需求请咨询我司业务。
The standard specification cannot be applied to the use of inverted crane. Please consult our business if necessary.

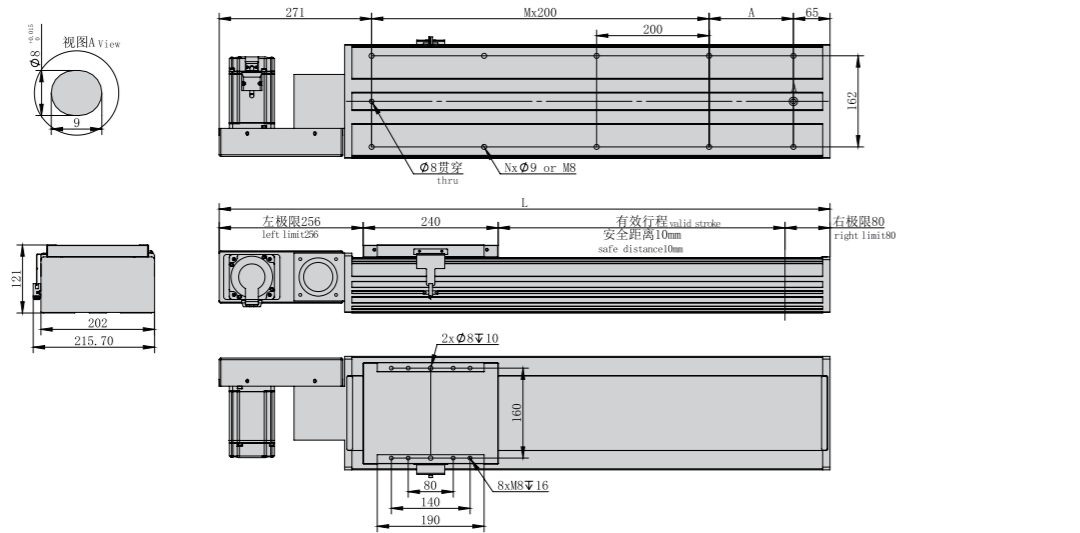
搭配伺服马达一览表 Suitable motor brand

品牌 Brand	马达记号 Mark	刹车有无 Brake	马达容量 Motor capacity	电源电压 AC-Voltage	伺服马达型号 Servo motor model	驱动器型号 Driver Model
三菱 Mitsubishi	M	无刹车(水平式样) No brake (horizontal type)	750	220	HG-KN73J-S100	MR-JE-70A
松下 Panasonic	P	无刹车(水平式样) No brake (horizontal type)	750	220	MHM082L1U2M	MCDLN35SE
台达 Delta	T	无刹车(水平式样) No brake (horizontal type)	750	220	ECM-B3M-C20807SS1	ASD-B3-0721-L



电机外置左侧/电机外置右侧
Motor external left side / Motor external right side

ML 电机外置左侧 Motor external left side



单位:Unit: mm

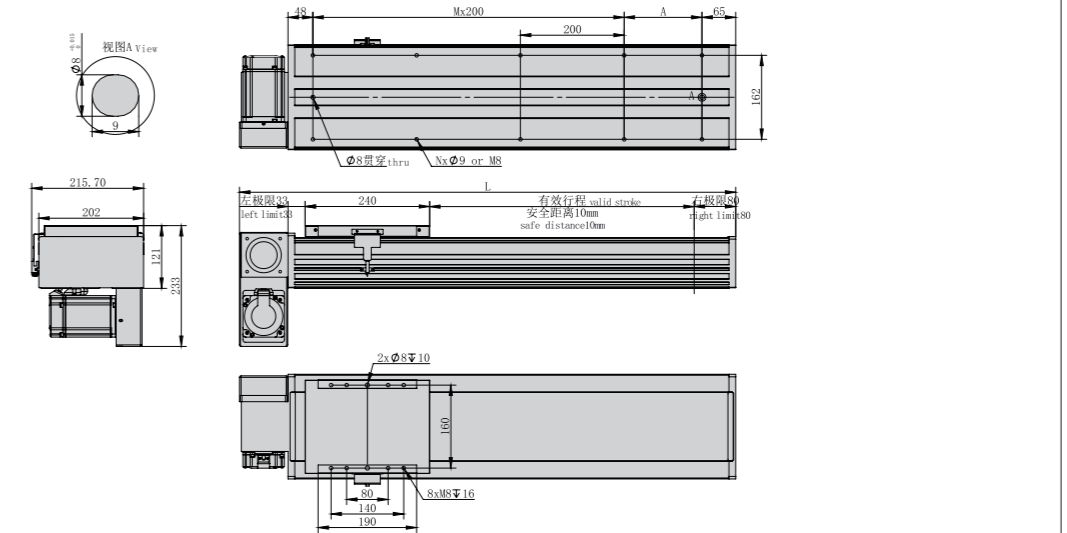
*不含电机重量。*Motor weight not included.

有效行程 Stroke	150	250	350	450	550	650	750	850	950	1050	1150	1250	1350	1450	1550	1650	1750	1850	1950	2050	2150	2250	2350	2450	2550	2650	2750	2850	2950	3050
L	736	836	936	1036	1136	1236	1336	1436	1536	1636	1736	1836	1936	2036	2136	2236	2336	2436	2536	2636	2736	2836	2936	3036	3136	3236	3336	3436	3536	3636
A	200	100	200	100	200	100	200	100	200	100	200	100	200	100	200	100	200	100	200	100	200	100	200	100	200	100	200	100	200	100
N	6	8	8	10	10	12	12	14	14	16	16	18	18	20	20	22	22	24	24	26	26	28	28	30	30	32	32	34	34	36
M	1	2	2	3	3	4	4	5	5	6	6	7	7	8	8	9	9	10	10	11	11	12	12	13	13	14	14	15	15	16
KG	21.5	23	24.5	26	27.5	29	30.5	32	33.5	35	36.5	38	39.5	41	42.5	44	45.5	47	48.5	50	51.5	53	54.5	56	57.5	59	60.5	62	63.5	65

如有超长行程及定制需求,请咨询我司业务。If you have extra long trip and custom requirements, please consult our business.

电机外置左下/电机外置左上
Motor external lower left / Motor external upper left

LP 电机外置左下 Motor external lower left



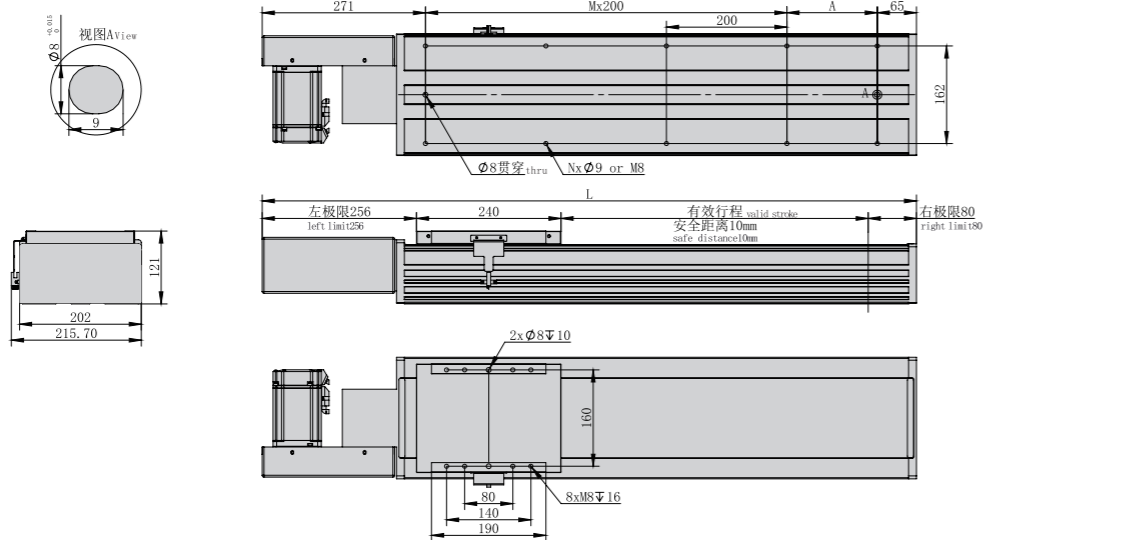
单位:Unit: mm

*不含电机重量。*Motor weight not included.

有效行程 Stroke	150	250	350	450	550	650	750	850	950	1050	1150	1250	1350	1450	1550	1650	1750	1850	1950	2050	2150	2250	2350	2450	2550	2650	2750	2850	2950	3050
L	513	613	713	813	913	1013	1113	1213	1313	1413	1513	1613	1713	1813	1913	2013	2113	2213	2313	2413	2513	2613	2713	2813	2913	3013	3113	3213	3313	3413
A	200	100	200	100	200	100	200	100	200	100	200	100	200	100	200	100	200	100	200	100	200	100	200	100	200	100	200	100	200	100
N	6	8	8	10	10	12	12	14	14	16	16	18	18	20	20	22	22	24	24	26	26	28	28	30	30	32	32	34	34	36
M	1	2	2	3	3	4	4	5	5	6	6	7	7	8	8	9	9	10	10	11	11	12	12	13	13	14	14	15	15	16
KG	21.5	23	24.5	26	27.5	29	30.5	32	33.5	35	36.5	38	39.5	41	42.5	44	45.5	47	48.5	50	51.5	53	54.5	56	57.5	59	60.5	62	63.5	65

如有超长行程及定制需求,请咨询我司业务。If you have extra long trip and custom requirements, please consult our business.

MR 电机外置右侧 Motor external right side



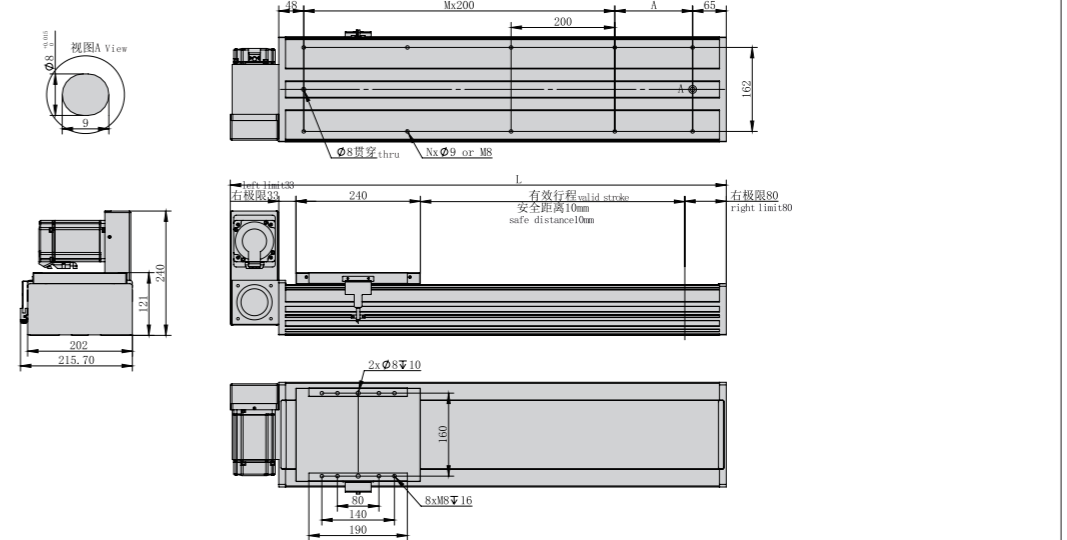
单位:Unit: mm

*不含电机重量。*Motor weight not included.

有效行程 Stroke	150	250	350	450	550	650	750	850	950	1050	1150	1250	1350	1450	1550	1650	1750	1850	1950	2050	2150	2250	2350	2450	2550	2650	2750	2850	2950	3050
L	736	836	936	1036	1136	1236	1336	1436	1536	1636	1736	1836	1936	2036	2136	2236	2336	2436	2536	2636	2736	2836	2936	3036	3136	3236	3336	3436	3536	3636
A	200	100	200	100	200	100	200	100	200	100	200	100	200	100	200	100	200	100	200	100	200	100	200	100	200	100	200	100	200	100
N	6	8	8	10	10	12	12	14	14	16	16	18	18	20	20	22	22	24	24	26	26	28	28	30	30	32	32	34	34	36
M	1	2	2	3	3	4	4	5	5	6	6	7	7	8	8	9	9	10	10	11	11	12	12	13	13	14	14	15	15	16
KG	21.5	23	24.5	26	27.5	29	30.5	32	33.5	35	36.5	38	39.5	41	42.5	44	45.5	47	48.5	50	51.5	53	54.5	56	57.5	59	60.5	62	63.5	65

如有超长行程及定制需求,请咨询我司业务。If you have extra long trip and custom requirements, please consult our business.

LU 电机外置左上 Motor external upper left



单位:Unit: mm

*不含电机重量。*Motor weight not included.

有效行程 Stroke	150	250	350	450	550	650	750	850	950	1050	1150	1250	1350	1450	1550	1650	1750	1850	1950	2050	2150	2250	2350	2450	2550	2650	2750	2850	2950	3050
L	513	613	713	813	913	1013	1113	1213	1313	1413	1513	1613	1713	1813	1913	2013	2113	2213	2313	2413	2513	2613	2713	2813	2913	3013	3113	3213	3313	3413
A	200	100	200	100	200	100	200	100	200	100	200	100	200	100	200	100	200	100	200	100	200	100	200	100	200	100	200	100	200	100
N	6	8	8	10	10	12	12	14	14	16	16	18	18	20	20	22	22	24	24	26	26	28	28	30	30	32	32	34	34	36
M	1	2	2	3	3	4	4	5	5	6	6	7	7	8	8	9	9	10	10	11	11	12	12	13	13	14	14	15	15	16
KG	21.5	23	24.5	26	27.5	29	30.5	32	33.5	35	36.5	38	39.5	41	42.5	44	45.5	47	48.5	50	51.5	53	54.5	56	57.5	59	60.5	62	63.5	65

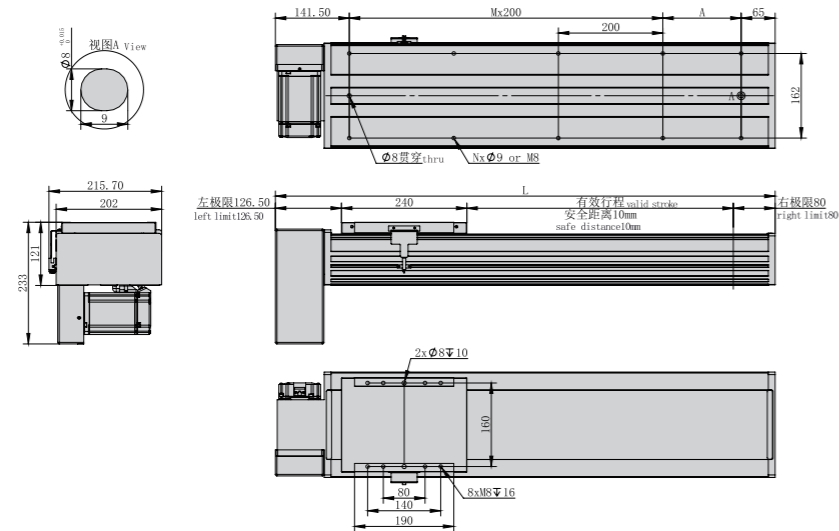
如有超长行程及定制需求,请咨询我司业务。If you have extra long trip and custom requirements, please consult our business.



电机外置右下/电机外置右上
Motor external lower right / Motor external upper right

RP 电机外置右下 Motor external lower right

单位:Unit:mm



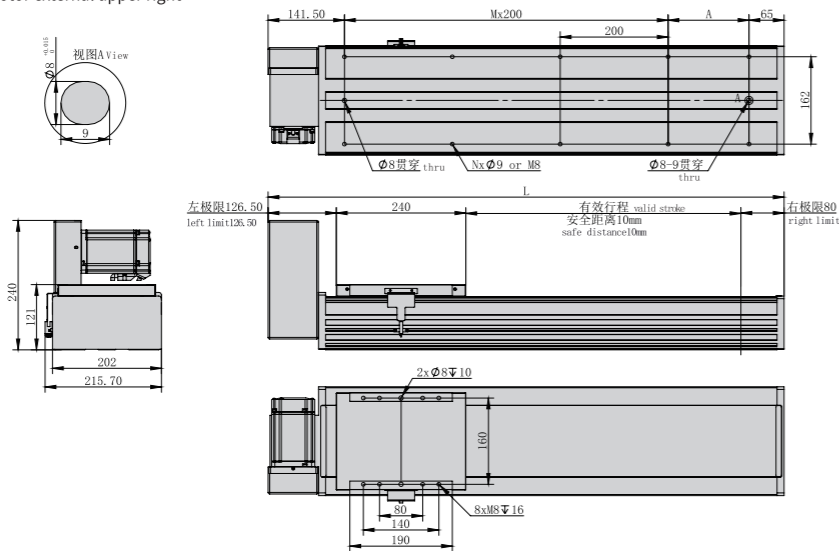
*不含电机重量。*Motor weight not included.

有效行程 Stroke	150	250	350	450	550	650	750	850	950	1050	1150	1250	1350	1450	1550	1650	1750	1850	1950	2050	2150	2250	2350	2450	2550	2650	2750	2850	2950	3050
L	513	613	713	813	913	1013	1113	1213	1313	1413	1513	1613	1713	1813	1913	2013	2113	2213	2313	2413	2513	2613	2713	2813	2913	3013	3113	3213	3313	3413
A	200	100	200	100	200	100	200	100	200	100	200	100	200	100	200	100	200	100	200	100	200	100	200	100	200	100	200	100	200	100
N	6	8	8	10	10	12	12	14	14	16	16	18	18	20	20	22	22	24	24	26	26	28	28	30	30	32	32	34	34	36
M	1	2	2	3	3	4	4	5	5	6	6	7	7	8	8	9	9	10	10	11	11	12	12	13	13	14	14	15	15	16
KG	21.5	23	24.5	26	27.5	29	30.5	32	33.5	35	36.5	38	39.5	41	42.5	44	45.5	47	48.5	50	51.5	53	54.5	56	57.5	59	60.5	62	63.5	65

如有超长行程及定制需求,请咨询我司业务。If you have extra long trip and custom requirements, please consult our business.

RU 电机外置右上 Motor external upper right

单位:Unit:mm



*不含电机重量。*Motor weight not included.

有效行程 Stroke	150	250	350	450	550	650	750	850	950	1050	1150	1250	1350	1450	1550	1650	1750	1850	1950	2050	2150	2250	2350	2450	2550	2650	2750	2850	2950	3050
L	513	613	713	813	913	1013	1113	1213	1313	1413	1513	1613	1713	1813	1913	2013	2113	2213	2313	2413	2513	2613	2713	2813	2913	3013	3113	3213	3313	3413
A	200	100	200	100	200	100	200	100	200	100	200	100	200	100	200	100	200	100	200	100	200	100	200	100	200	100	200	100	200	100
N	6	8	8	10	10	12	12	14	14	16	16	18	18	20	20	22	22	24	24	26	26	28	28	30	30	32	32	34	34	36
M	1	2	2	3	3	4	4	5	5	6	6	7	7	8	8	9	9	10	10	11	11	12	12	13	13	14	14	15	15	16
KG	21.5	23	24.5	26	27.5	29	30.5	32	33.5	35	36.5	38	39.5	41	42.5	44	45.5	47	48.5	50	51.5	53	54.5	56	57.5	59	60.5	62	63.5	65

如有超长行程及定制需求,请咨询我司业务。If you have extra long trip and custom requirements, please consult our business.

MEMO

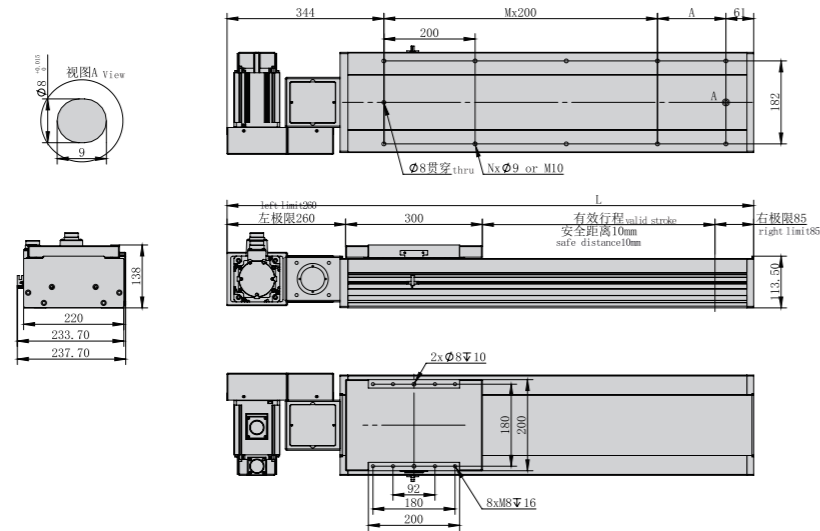
HNR-E
HNB-E
HFR
HNR
HCR
HNB
HCB
HNT
XYZ
参考资料
Reference data



电机外置左侧/电机外置右侧
Motor external left side / Motor external right side

ML 电机外置左侧 Motor external left side

单位:Unit: mm



*不含电机重量。*Motor weight not included.

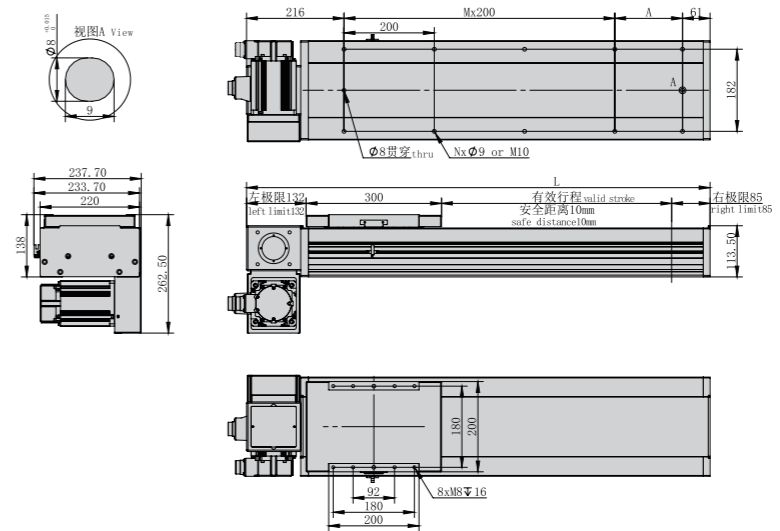
有效行程 Stroke	150	250	350	450	550	650	750	850	950	1050	1150	1250	1350	1450	1550	1650	1750	1850	1950	2050	2150	2250	2350	2450	2550	2650	2750	2850	2950	3050
L	805	905	1005	1105	1205	1305	1405	1505	1605	1705	1805	1905	2005	2105	2205	2305	2405	2505	2605	2705	2805	2905	3005	3105	3205	3305	3405	3505	3605	3705
A	50	150	50	150	50	150	50	150	50	150	50	150	50	150	50	150	50	150	50	150	50	150	50	150	50	150	50	150	50	150
N	6	6	8	8	10	10	12	12	14	14	16	16	18	18	20	20	22	22	24	24	26	26	28	28	30	30	32	32	34	34
M	2	2	3	3	4	4	5	5	6	6	7	7	8	8	9	9	10	10	11	11	12	12	13	13	14	14	15	15	16	16
KG	25.6	27.5	29.4	31.3	33.2	35.1	37	38.9	40.8	42.7	44.6	46.5	48.4	50.3	52.2	54.1	56	57.9	59.8	61.7	63.6	65.5	67.4	69.3	71.2	73.1	75	76.9	78.8	80.7

如有超长行程及定制需求,请咨询我司业务。If you have extra long trip and custom requirements, please consult our business.

电机外置左下/电机外置左上
Motor external lower left / Motor external upper left

LP 电机外置左下 Motor external lower left

单位:Unit: mm



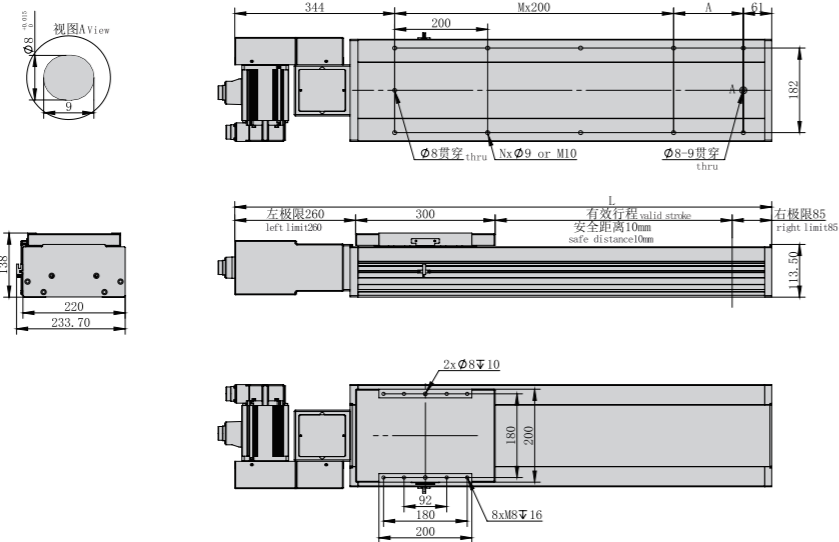
*不含电机重量。*Motor weight not included.

有效行程 Stroke	150	250	350	450	550	650	750	850	950	1050	1150	1250	1350	1450	1550	1650	1750	1850	1950	2050	2150	2250	2350	2450	2550	2650	2750	2850	2950	3050
L	677	777	877	977	1077	1177	1277	1377	1477	1577	1677	1777	1877	1977	2077	2177	2277	2377	2477	2577	2677	2777	2877	2977	3077	3177	3277	3377	3477	3577
A	50	150	50	150	50	150	50	150	50	150	50	150	50	150	50	150	50	150	50	150	50	150	50	150	50	150	50	150	50	150
N	6	6	8	8	10	10	12	12	14	14	16	16	18	18	20	20	22	22	24	24	26	26	28	28	30	30	32	32	34	34
M	2	2	3	3	4	4	5	5	6	6	7	7	8	8	9	9	10	10	11	11	12	12	13	13	14	14	15	15	16	16
KG	25.6	27.5	29.4	31.3	33.2	35.1	37	38.9	40.8	42.7	44.6	46.5	48.4	50.3	52.2	54.1	56	57.9	59.8	61.7	63.6	65.5	67.4	69.3	71.2	73.1	75	76.9	78.8	80.7

如有超长行程及定制需求,请咨询我司业务。If you have extra long trip and custom requirements, please consult our business.

MR 电机外置右侧 Motor external right side

单位:Unit: mm



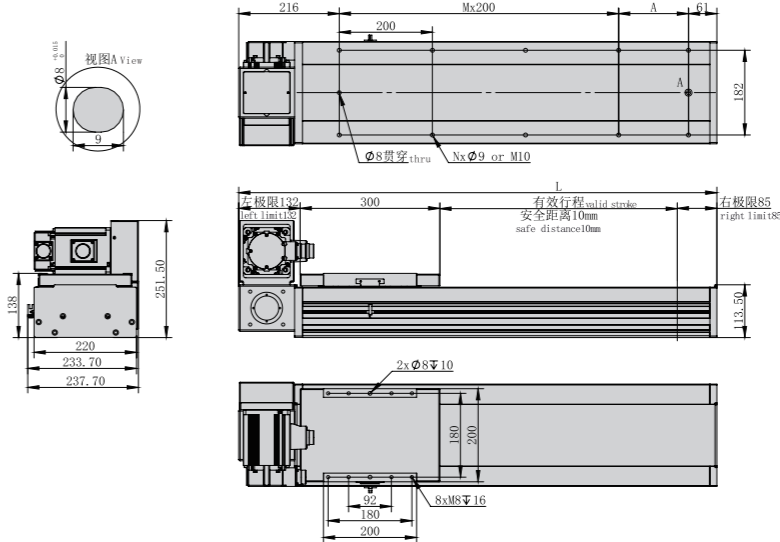
*不含电机重量。*Motor weight not included.

有效行程 Stroke	150	250	350	450	550	650	750	850	950	1050	1150	1250	1350	1450	1550	1650	1750	1850	1950	2050	2150	2250	2350	2450	2550	2650	2750	2850	2950	3050
L	805	905	1005	1105	1205	1305	1405	1505	1605	1705	1805	1905	2005	2105	2205	2305	2405	2505	2605	2705	2805	2905	3005	3105	3205	3305	3405	3505	3605	3705
A	50	150	50	150	50	150	50	150	50	150	50	150	50	150	50	150	50	150	50	150	50	150	50	150	50	150	50	150	50	150
N	6	6	8	8	10	10	12	12	14	14	16	16	18	18	20	20	22	22	24	24	26	26	28	28	30	30	32	32	34	34
M	2	2	3	3	4	4	5	5	6	6	7	7	8	8	9	9	10	10	11	11	12	12	13	13	14	14	15	15	16	16
KG	25.6	27.5	29.4	31.3	33.2	35.1	37	38.9	40.8	42.7	44.6	46.5	48.4	50.3	52.2	54.1	56	57.9	59.8	61.7	63.6	65.5	67.4	69.3	71.2	73.1	75	76.9	78.8	80.7

如有超长行程及定制需求,请咨询我司业务。If you have extra long trip and custom requirements, please consult our business.

LU 电机外置左上 Motor external upper left

单位:Unit: mm



*不含电机重量。*Motor weight not included.

有效行程 Stroke	150	250	350	450	550	650	750	850	950	1050	1150	1250	1350	1450	1550	1650	1750	1850	1950	2050	2150	2250	2350	2450	2550	2650	2750	2850	2950	3050
L	677	777	877	977	1077	1177	1277	1377	1477	1577	1677	1777	1877	1977	2077	2177	2277	2377	2477	2577	2677	2777	2877	2977	3077	3177	3277	3377	3477	3577
A	50	150	50	150	50	150	50	150	50	150	50	150	50	150	50	150	50	150	50	150	50	150	50	150	50	150	50	150	50	150
N	6	6	8	8	10	10	12	12	14	14	16	16	18	18	20	20	22	22	24	24	26	26	28	28	30	30	32	32	34	34
M	2	2	3	3	4	4	5	5	6	6	7	7	8	8	9	9	10	10	11	11	12	12	13	13	14	14	15	15	16	16
KG	25.6	27.5	29.4	31.3	33.2	35.1	37	38.9	40.8	42.7	44.6	46.5	48.4	50.3	52.2	54.1	56	57.9	59.8	61.7	63.6	65.5	67.4	69.3	71.2	73.1	75	76.9	78.8	80.7

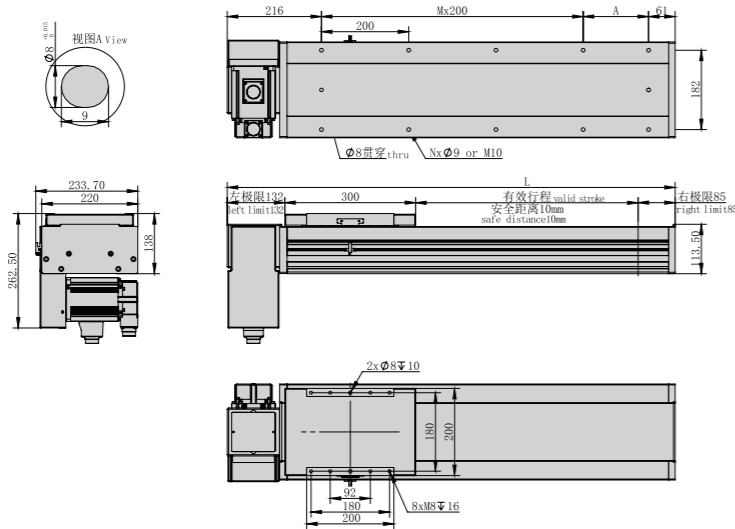
如有超长行程及定制需求,请咨询我司业务。If you have extra long trip and custom requirements, please consult our business.



电机外置右下/电机外置右上
Motor external lower right / Motor external upper right

RP 电机外置右下 Motor external lower right

单位:Unit:mm



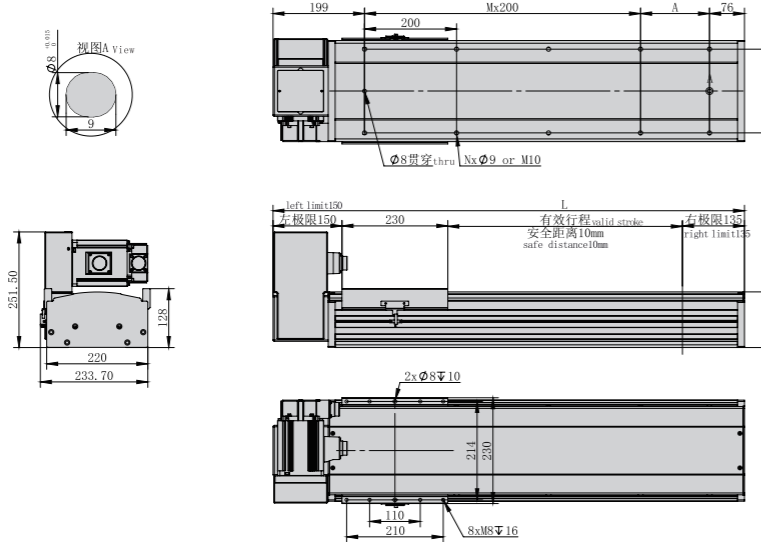
*不含电机重量。*Motor weight not included.

有效行程 Stroke	150	250	350	450	550	650	750	850	950	1050	1150	1250	1350	1450	1550	1650	1750	1850	1950	2050	2150	2250	2350	2450	2550	2650	2750	2850	2950	3050
L	677	777	877	977	1077	1177	1277	1377	1477	1577	1677	1777	1877	1977	2077	2177	2277	2377	2477	2577	2677	2777	2877	2977	3077	3177	3277	3377	3477	3577
A	50	150	50	150	50	150	50	150	50	150	50	150	50	150	50	150	50	150	50	150	50	150	50	150	50	150	50	150	50	150
N	6	6	8	8	10	10	12	12	14	14	16	16	18	18	20	20	22	22	24	24	26	26	28	28	30	30	32	32	34	34
M	2	2	3	3	4	4	5	5	6	6	7	7	8	8	9	9	10	10	11	11	12	12	13	13	14	14	15	15	16	16
KG	25.6	27.5	29.4	31.3	33.2	35.1	37	38.9	40.8	42.7	44.6	46.5	48.4	50.3	52.2	54.1	56	57.9	59.8	61.7	63.6	65.5	67.4	69.3	71.2	73.1	75	76.9	78.8	80.7

如有超长行程及定制需求,请咨询我司业务。If you have extra long trip and custom requirements, please consult our business.

RU 电机外置右上 Motor external upper right

单位:Unit:mm



*不含电机重量。*Motor weight not included.

有效行程 Stroke	150	250	350	450	550	650	750	850	950	1050	1150	1250	1350	1450	1550	1650	1750	1850	1950	2050	2150	2250	2350	2450	2550	2650	2750	2850	2950	3050
L	677	777	877	977	1077	1177	1277	1377	1477	1577	1677	1777	1877	1977	2077	2177	2277	2377	2477	2577	2677	2777	2877	2977	3077	3177	3277	3377	3477	3577
A	50	150	50	150	50	150	50	150	50	150	50	150	50	150	50	150	50	150	50	150	50	150	50	150	50	150	50	150	50	150
N	6	6	8	8	10	10	12	12	14	14	16	16	18	18	20	20	22	22	24	24	26	26	28	28	30	30	32	32	34	34
M	2	2	3	3	4	4	5	5	6	6	7	7	8	8	9	9	10	10	11	11	12	12	13	13	14	14	15	15	16	16
KG	25.6	27.5	29.4	31.3	33.2	35.1	37	38.9	40.8	42.7	44.6	46.5	48.4	50.3	52.2	54.1	56	57.9	59.8	61.7	63.6	65.5	67.4	69.3	71.2	73.1	75	76.9	78.8	80.7

如有超长行程及定制需求,请咨询我司业务。If you have extra long trip and custom requirements, please consult our business.

MEMO

HNR-E
HNB-E
HFR
HNR
HCR
HNB
HCB
HNT
XYZ
参考资料
Reference
data



重复精度
Repeat Accuracy
±0.04 mm

此图仅供参考, 出货规格详见尺寸图面
This drawing is for reference only, Please refer to the size drawing for shipment specifications.

最大行程
Max stroke 3050mm

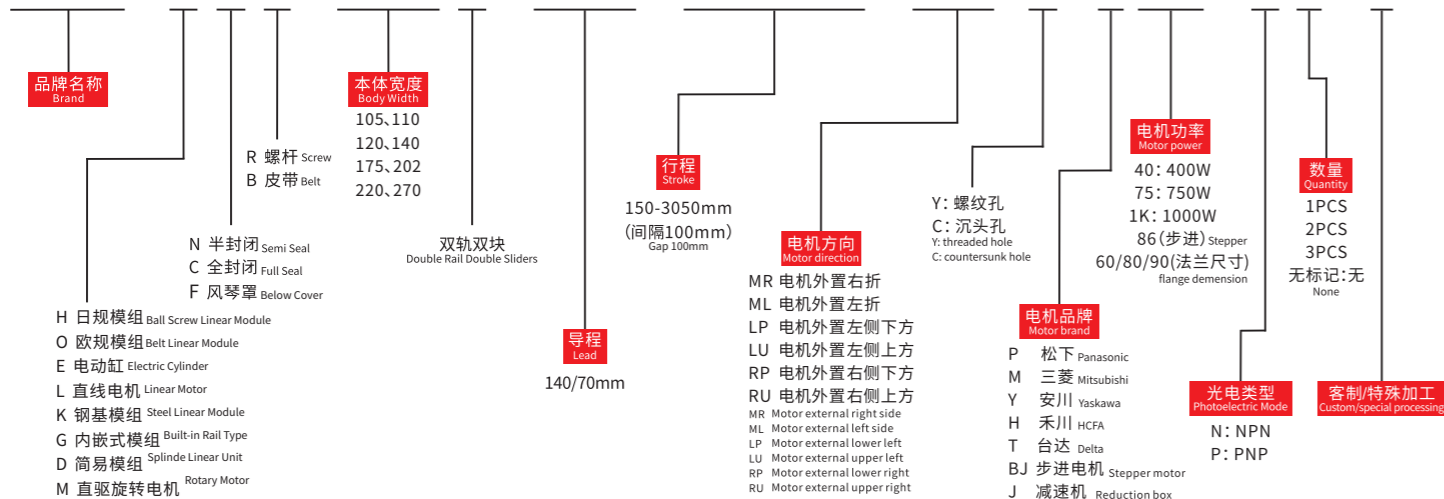
最高速度
Max speed 7000mm/s

马达容量
Motor output 1000W

直线滑轨
Linear guide 25X22-2支

型号表达方式 Ordering method

TPA-HCB-270D-140-L3050-MR-Y-P1K-N3-F



产品性能参数如下 Product performance parameters are as follows

电机功率 (W) Motor power (W)	1000	
重复定位精度 (mm) Repeated positioning accuracy (mm)	±0.04	
减速比 (mm) Reduction ratio	1:1	1:2
规格 Spec	导程 (mm) Lead (mm)	140 70
最高速度 (mm/s) Maximum speed (mm/s)	7000	
电机额定转速 (RPM) Rated speed of motor (RPM)	3000	
最大可搬重量 Maximum Payload	70	140
标准行程 (mm) Stroke pitch (mm)	150~3050mm/100 间隔100 mm Pitch	
部品 Parts	基座材质 Material of base	硬质挤压铝材A1 Hard extruded aluminum A1
使用环境 Operating environment	0~40°C, 85%RH (无凝结) No condensation	

注1: 使用非上述功率电机时请依据实际参数推算。
Note 1: When using a motor with a power other than the above, please calculate according to the actual parameters.

注2: 最高速度因行程和负载而异, 当螺杆细长比大于1:50时, 可能会因螺杆临界速度产生共振和抖动, 应适当下调运行速度, 一般螺杆每增长100mm, 速度应下调10~15%。
Note 2: The maximum speed varies with stroke and load. When the screw slenderness ratio is greater than 1:50, resonance and jitter may occur due to the critical speed of the screw, so the running speed should be reduced appropriately. Generally, the speed should be reduced by 10~15% for every 100mm increase of the screw.

容许负载力矩表 N.m Allowable overhang

水平安装 Horizontal installation (单位Unit: mm)				侧面安装 Side mounting (单位Unit: mm)			
负载 Load	A	B	C	负载 Load	A	B	C
90kg	1579	605	336	90kg	485	682	1783
115kg	1136	328	283	115kg	318	420	1136
140kg	771	269	210	140kg	205	281	772

静态容许负载惯量 Static loading moment

点 Point	惯量 Inertia (单位Unit: N.m)
MY	3223
MP	3223
MR	2843

*力矩表所表示的数据, 代表重心。
The torque value in the chart indicate the center of gravity.

*符合型录规范的正常试用下, 保证寿命为10000公里。
Operation life is 10,000km when the product is using under the specified conditions.

*倒吊使用无法套用标准规范, 如有需求请咨询我司业务。
The standard specification cannot be applied to the use of inverted crane. Please consult our business if necessary.

搭配伺服马达一览表 Suitable motor brand

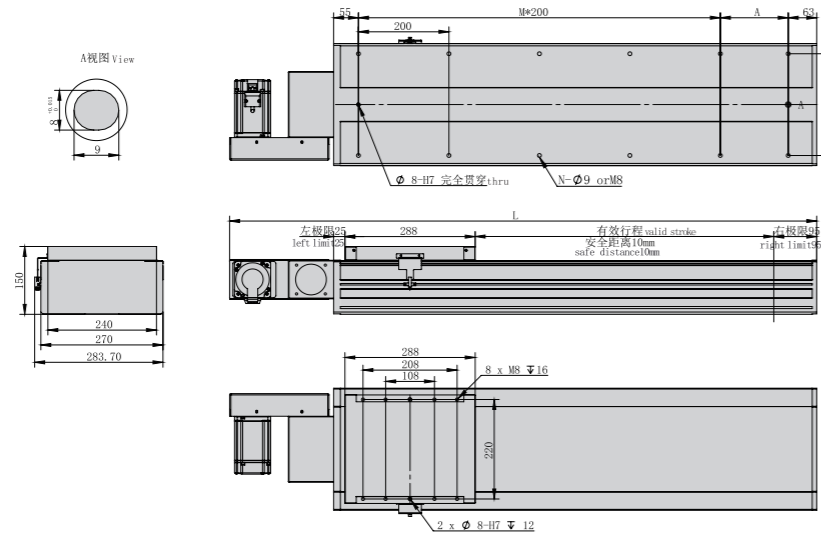
品牌 Brand	马达记号 Mark	刹车有无 Brake	马达容量 Motor capacity	电源电压 AC-Voltage	伺服马达型号 Servo motor model	驱动器型号 Driver Model
三菱 Mitsubishi	M	无刹车(水平式样) No brake (horizontal type)	750	220	HG-KN73J-S100	MR-JE-70A
松下 Panasonic	P	无刹车(水平式样) No brake (horizontal type)	750	220	MHMF082L1U2M	MCDLN35SE
台达 Delta	T	无刹车(水平式样) No brake (horizontal type)	750	220	ECM-B3M-C20807SS1	ASD-B3-0721-L



电机外置左侧/电机外置右侧
Motor external left side / Motor external right side

ML 电机外置左侧 Motor external left side

单位:Unit: mm



*不含电机重量。*Motor weight not included.

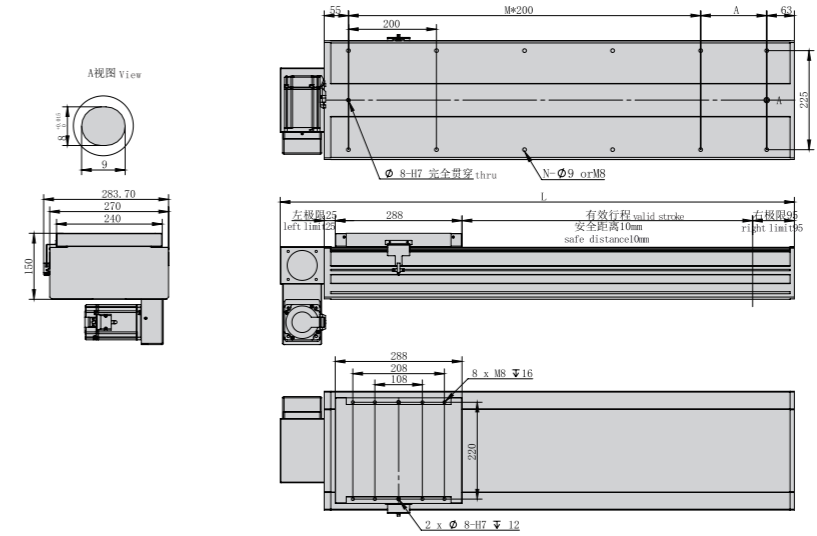
有效行程 Stroke	150	250	350	450	550	650	750	850	950	1050	1150	1250	1350	1450	1550	1650	1750	1850	1950	2050	2150	2250	2350	2450	2550	2650	2750	2850	2950	3050
L	798	898	998	1098	1198	1298	1398	1498	1598	1698	1798	1898	1998	2098	2198	2298	2398	2498	2598	2698	2798	2898	2998	3098	3198	3298	3398	3498	3598	3698
A	50	150	50	150	50	150	50	150	50	150	50	150	50	150	50	150	50	150	50	150	50	150	50	150	50	150	50	150	50	150
N	8	8	10	10	12	12	14	14	16	16	18	18	20	20	22	22	24	24	26	26	28	28	30	30	32	32	34	34	36	36
M	2	2	3	3	4	4	5	5	6	6	7	7	8	8	9	9	10	10	11	11	12	12	13	13	14	14	15	15	16	16
KG	32	34	36	38	40	42	44	46	48	50	52	54	56	58	60	62	64	66	68	70	72	74	76	78	80	82	84	86	88	90

如有超长行程及定制需求, 请咨询我司业务。If you have extra long trip and custom requirements, please consult our business.

电机外置左下/电机外置左上
Motor external lower left / Motor external upper left

LP 电机外置左下 Motor external lower left

单位:Unit: mm



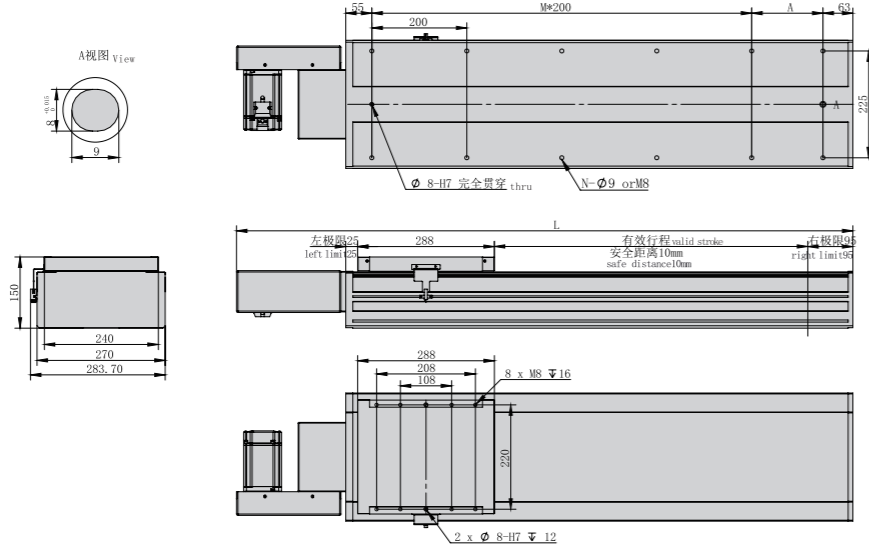
*不含电机重量。*Motor weight not included.

有效行程 Stroke	150	250	350	450	550	650	750	850	950	1050	1150	1250	1350	1450	1550	1650	1750	1850	1950	2050	2150	2250	2350	2450	2550	2650	2750	2850	2950	3050
L	668	768	868	968	1068	1168	1268	1368	1468	1568	1668	1768	1868	1968	2068	2168	2268	2368	2468	2568	2668	2768	2868	2968	3068	3168	3268	3368	3468	3568
A	50	150	50	150	50	150	50	150	50	150	50	150	50	150	50	150	50	150	50	150	50	150	50	150	50	150	50	150	50	150
N	8	8	10	10	12	12	14	14	16	16	18	18	20	20	22	22	24	24	26	26	28	28	30	30	32	32	34	34	36	36
M	2	2	3	3	4	4	5	5	6	6	7	7	8	8	9	9	10	10	11	11	12	12	13	13	14	14	15	15	16	16
KG	32	34	36	38	40	42	44	46	48	50	52	54	56	58	60	62	64	66	68	70	72	74	76	78	80	82	84	86	88	90

如有超长行程及定制需求, 请咨询我司业务。If you have extra long trip and custom requirements, please consult our business.

MR 电机外置右侧 Motor external right side

单位:Unit: mm



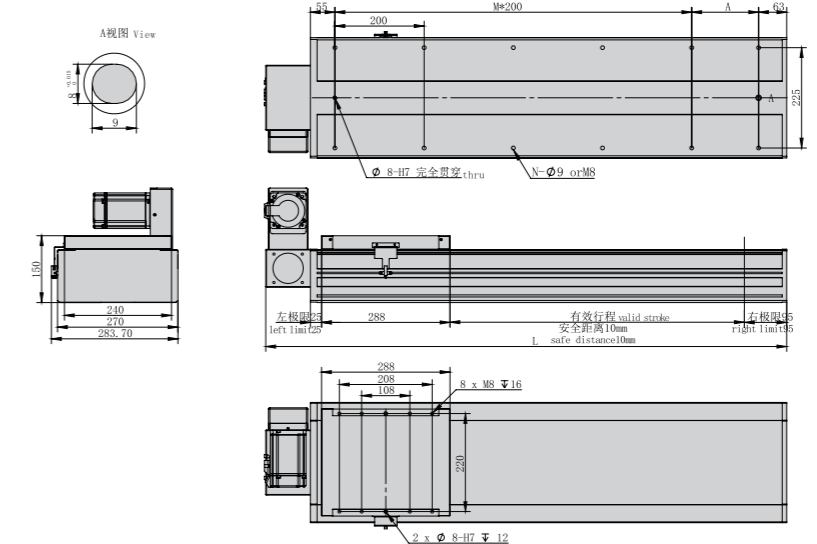
*不含电机重量。*Motor weight not included.

有效行程 Stroke	150	250	350	450	550	650	750	850	950	1050	1150	1250	1350	1450	1550	1650	1750	1850	1950	2050	2150	2250	2350	2450	2550	2650	2750	2850	2950	3050
L	798	898	998	1098	1198	1298	1398	1498	1598	1698	1798	1898	1998	2098	2198	2298	2398	2498	2598	2698	2798	2898	2998	3098	3198	3298	3398	3498	3598	3698
A	50	150	50	150	50	150	50	150	50	150	50	150	50	150	50	150	50	150	50	150	50	150	50	150	50	150	50	150	50	150
N	8	8	10	10	12	12	14	14	16	16	18	18	20	20	22	22	24	24	26	26	28	28	30	30	32	32	34	34	36	36
M	2	2	3	3	4	4	5	5	6	6	7	7	8	8	9	9	10	10	11	11	12	12	13	13	14	14	15	15	16	16
KG	32	34	36	38	40	42	44	46	48	50	52	54	56	58	60	62	64	66	68	70	72	74	76	78	80	82	84	86	88	90

如有超长行程及定制需求, 请咨询我司业务。If you have extra long trip and custom requirements, please consult our business.

LU 电机外置左上 Motor external upper left

单位:Unit: mm



*不含电机重量。*Motor weight not included.

有效行程 Stroke	150	250	350	450	550	650	750	850	950	1050	1150	1250	1350	1450	1550	1650	1750	1850	1950	2050	2150	2250	2350	2450	2550	2650	2750	2850	2950	3050
L	668	768	868	968	1068	1168	1268	1368	1468	1568	1668	1768	1868	1968	2068	2168	2268	2368	2468	2568	2668	2768	2868	2968	3068	3168	3268	3368	3468	3568
A	50	150	50	150	50	150	50	150	50	150	50	150	50	150	50	150	50	150	50	150	50	150	50	150	50	150	50	150	50	150
N	8	8	10	10	12	12	14	14	16	16	18	18	20	20	22	22	24	24	26	26	28	28	30	30	32	32	34	34	36	36
M	2	2	3	3	4	4	5	5	6	6	7	7	8	8	9	9	10	10	11	11	12	12	13	13	14	14	15	15	16	16
KG	32	34	36	38	40	42	44	46	48	50	52	54	56	58	60	62	64	66	68	70	72	74	76	78	80	82	84	86	88	90

如有超长行程及定制需求, 请咨询我司业务。If you have extra long trip and custom requirements, please consult our business.

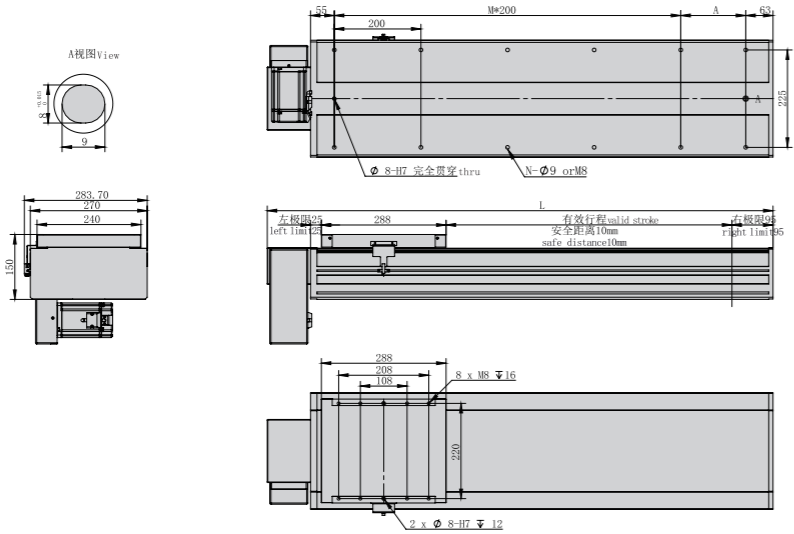
HNR-E
HNB-E
HFR
HNR
HCR
HNB
HCB
HNT
XYZ
参考资料
Reference data



电机外置右下/电机外置右上
Motor external lower right / Motor external upper right

RP 电机外置右下 Motor external lower right

单位:Unit:mm



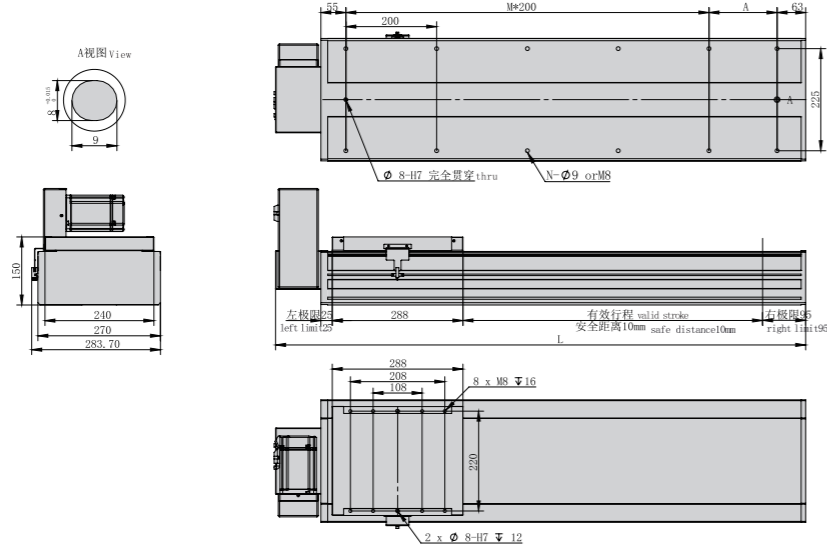
*不含电机重量。*Motor weight not included.

有效行程 Stroke	150	250	350	450	550	650	750	850	950	1050	1150	1250	1350	1450	1550	1650	1750	1850	1950	2050	2150	2250	2350	2450	2550	2650	2750	2850	2950	3050
L	668	768	868	968	1068	1168	1268	1368	1468	1568	1668	1768	1868	1968	2068	2168	2268	2368	2468	2568	2668	2768	2868	2968	3068	3168	3268	3368	3468	3568
A	50	150	50	150	50	150	50	150	50	150	50	150	50	150	50	150	50	150	50	150	50	150	50	150	50	150	50	150	50	150
N	8	8	10	10	12	12	14	14	16	16	18	18	20	20	22	22	24	24	26	26	28	28	30	30	32	32	34	34	36	36
M	2	2	3	3	4	4	5	5	6	6	7	7	8	8	9	9	10	10	11	11	12	12	13	13	14	14	15	15	16	16
KG	32	34	36	38	40	42	44	46	48	50	52	54	56	58	60	62	64	66	68	70	72	74	76	78	80	82	84	86	88	90

如有超长行程及定制需求,请咨询我司业务。If you have extra long trip and custom requirements, please consult our business.

RU 电机外置右上 Motor external upper right

单位:Unit:mm



*不含电机重量。*Motor weight not included.

有效行程 Stroke	150	250	350	450	550	650	750	850	950	1050	1150	1250	1350	1450	1550	1650	1750	1850	1950	2050	2150	2250	2350	2450	2550	2650	2750	2850	2950	3050
L	668	768	868	968	1068	1168	1268	1368	1468	1568	1668	1768	1868	1968	2068	2168	2268	2368	2468	2568	2668	2768	2868	2968	3068	3168	3268	3368	3468	3568
A	50	150	50	150	50	150	50	150	50	150	50	150	50	150	50	150	50	150	50	150	50	150	50	150	50	150	50	150	50	150
N	8	8	10	10	12	12	14	14	16	16	18	18	20	20	22	22	24	24	26	26	28	28	30	30	32	32	34	34	36	36
M	2	2	3	3	4	4	5	5	6	6	7	7	8	8	9	9	10	10	11	11	12	12	13	13	14	14	15	15	16	16
KG	32	34	36	38	40	42	44	46	48	50	52	54	56	58	60	62	64	66	68	70	72	74	76	78	80	82	84	86	88	90

如有超长行程及定制需求,请咨询我司业务。If you have extra long trip and custom requirements, please consult our business.

MEMO

- HNR-E
- HNB-E
- HFR
- HNR
- HCR
- HNB
- HCB
- HNT
- XYZ
- 参考资料
Reference data



重复精度
Repeat Accuracy
±0.04 mm

此图仅供参考, 出货规格详见尺寸图画
This drawing is for reference only, Please refer to the size drawing for shipment specifications.

最大行程
Max stroke **4200mm**

最高速度
Max speed **2500mm/s**

马达容量
Motor output **400W**

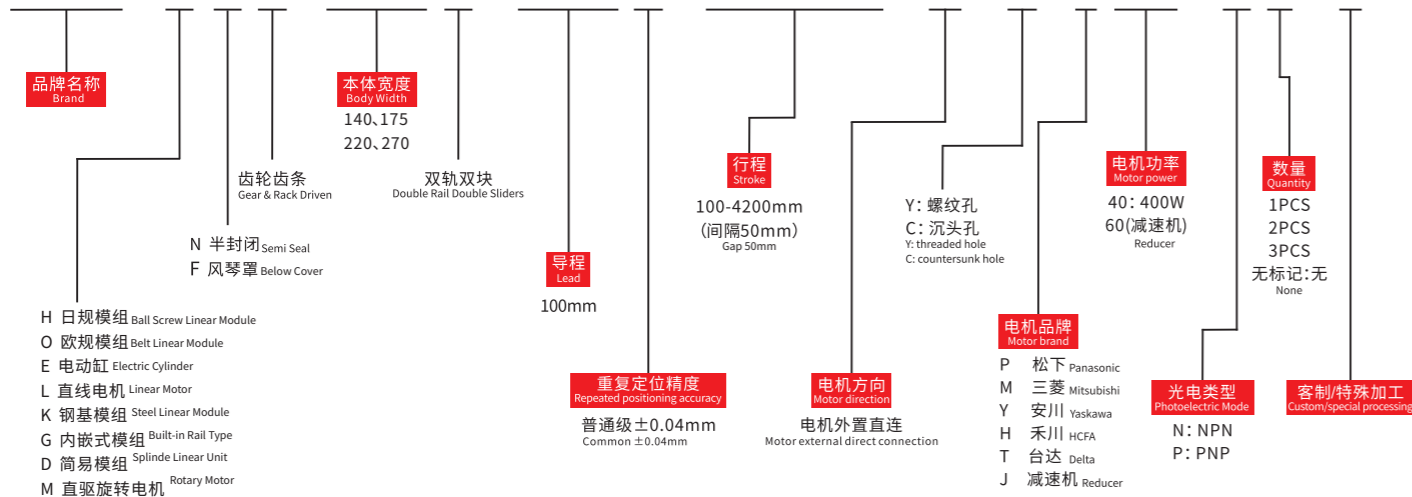
齿条
Rack **1.5M**

直线滑轨
Linear guide **15X12.5-2支**

※依减速比不同而异
The maximum speed depends on different gear ratio.

型号表达方式 Ordering method

TPA-HNT-140D-100C-L4200-M-C-J60-N3-F

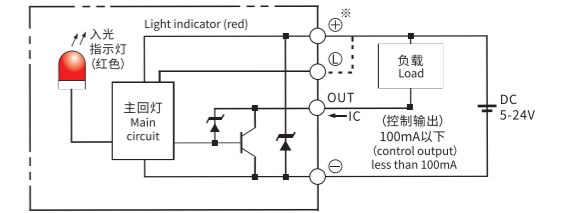


产品性能参数如下 Product performance parameters are as follows

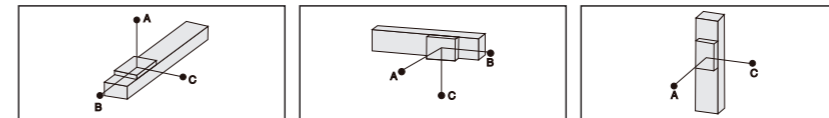
规格 Spec	电机功率 (W) Motor power (W)	400W				
	额定扭矩 (N.M) Rated torque (N.M)	1.27				
	重复定位精度 (mm) Repeated positioning accuracy (mm)	±0.04				
	导程 (mm) Lead (mm)	100				
	减速比 Reduction ratio	3:1	5:1	7:1	10:1	
	最高速度 (mm/s) Maximum speed (mm/s)	1665	1000	715	500	
	电机额定转速 (RPM) Rated speed of motor (RPM)	3000				
	最大可搬重量 Maximum Payload	水平使用 (kg) Horizontal (kg)	35	45	60	80
		垂直使用 (kg) Vertical (kg)	11	15	20	30
	额定推力 (N) Rated thrust (N)	218	347	520	694	
行程 (mm) Stroke (mm)	100~4200mm/50 间隔 50 mm Pitch					
部品 Parts	基座材质 Material of base	硬质挤压铝材A1 Hard extruded aluminum A1				
	使用环境 Operating environment	0~40°C, 85%RH (无凝结) No condensation				

注1: 使用非上述功率电机时请依据实际参数推算。
Note 1: When using a motor with a power other than the above, please calculate according to the actual parameters.

感应器连接图<原点及端点> Sensor layout

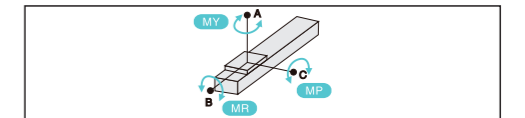


容许负载力矩表 N.m Allowable overhang



水平安装 Horizontal installation				侧面安装 Side mounting				垂直安装 Vertical installation			
	A	B	C		A	B	C		A	C	
3:1	15kg	1023	535	395	15kg	395	535	1023	5kg	1493	1493
	25kg	594	301	223	30kg	178	241	485	8kg	934	934
	30kg	485	241	178	-	-	-	-	-	-	-
5:1	10kg	2294	1212	1018	12kg	844	1009	2542	7kg	1690	1690
	22kg	1433	530	441	20kg	490	586	1578	10kg	1178	1178
	40kg	850	267	223	40kg	223	267	850	-	-	-
7:1	20kg	1658	871	719	23kg	598	697	2450	8kg	1595	1595
	36kg	1500	393	336	37kg	349	407	1506	12kg	1120	1120
	64kg	847	195	167	64kg	168	195	847	18kg	735	735
10:1	30kg	2717	460	420	35kg	353	385	2358	10kg	1490	1490
	50kg	1567	256	232	55kg	208	228	1435	14kg	1062	1062
	88kg	844	124	112	88kg	113	124	844	22kg	672	672

静态容许负载惯量 Static loading moment



	(单位Unit:N.m)
MY	551
MP	552
MR	485

*力矩表所表示的数据, 代表重心。
The torque value in the chart indicate the center of gravity.
*符合型录规范的正常试用下, 保证寿命为10000公里。
Operation life is 10,000km when the product is using under the specified conditions.
*倒吊使用无法套用标准规范, 如有需求请咨询我司业务。
The standard specification cannot be applied to the use of inverted crane. Please consult our business if necessary.

搭配伺服马达一览表 Suitable motor brand

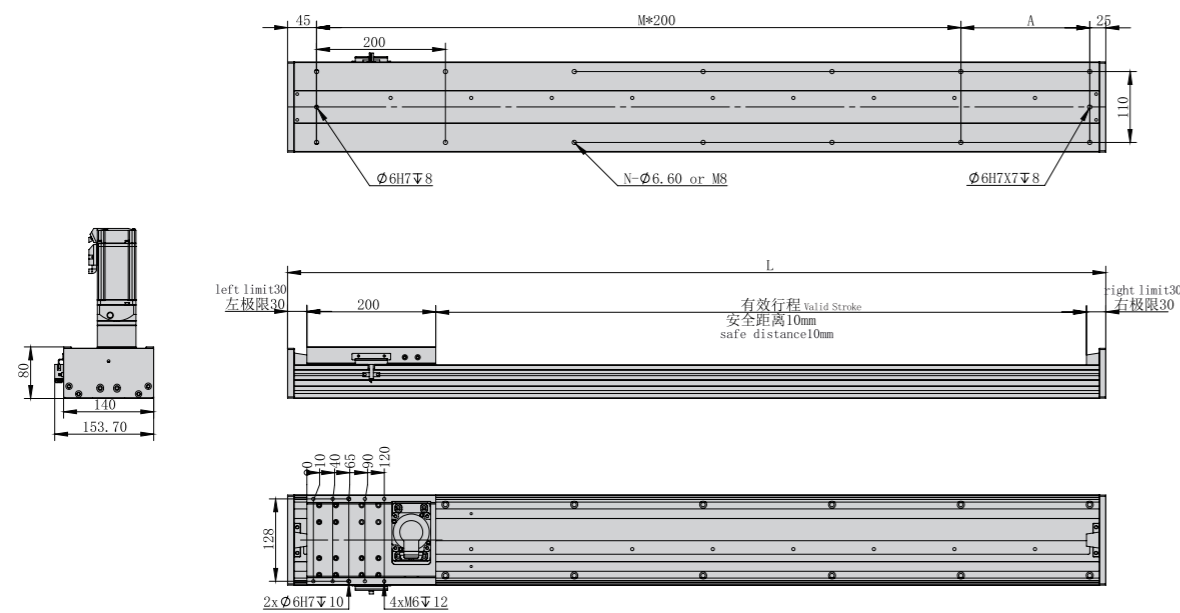
品牌 Brand	马达记号 Mark	刹车有无 Brake	马达容量 Motor capacity	电源电压 AC-Voltage	伺服马达型号 Servo motor model	驱动器型号 Driver Model
三菱 Mitsubishi	M	无刹车(水平式样) No brake (horizontal type)	400	220	HG-KN43J-S100	MR-JE-40A
松下 Panasonic	P	无刹车(水平式样) No brake (horizontal type)	400	220	MHMF042L1U2M	MBDLN25SE
台达 Delta	T	无刹车(水平式样) No brake (horizontal type)	400	220	ECM-B3M-C20604RS1	ASD-B3-0421-L



电机外置直连
Motor external direct connection

M 电机外置直连 Motor external direct connection

单位:Unit: mm



*不含电机重量。*Motor weight not included.

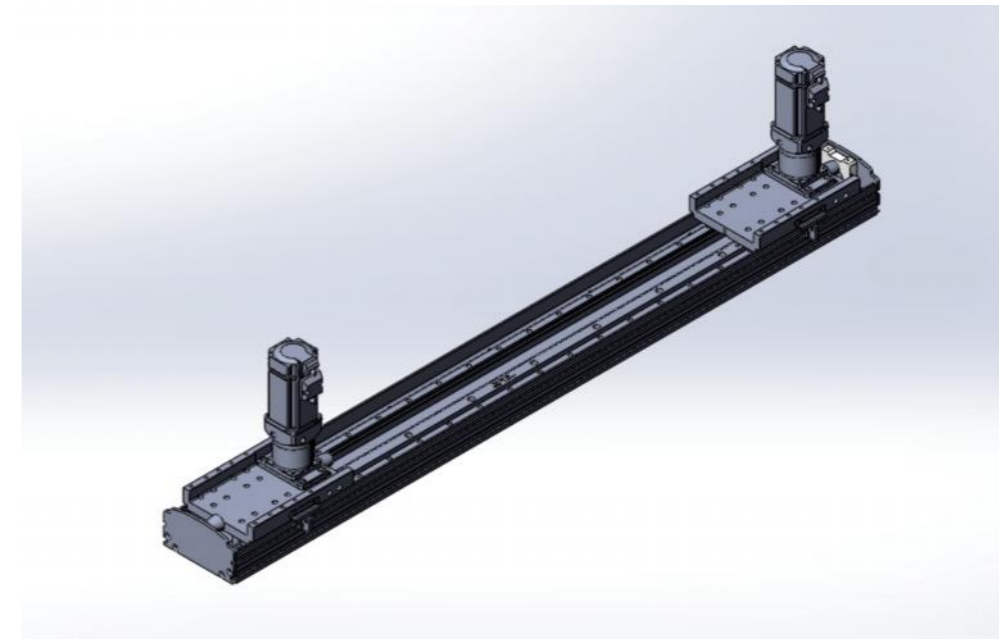
有效行程 Stroke	100	150	200	250	300	350	400	450	500	550	600	650	700	750	800	850	900	950	1000	1050	1100	1150	1200	1250	1300	1350	1400	1450
L	370	420	470	520	570	620	670	720	770	820	870	920	970	1020	1070	1120	1170	1220	1270	1320	1370	1420	1470	1520	1570	1620	1670	1720
A	100	150	200	50	100	150	200	50	100	150	200	50	100	150	200	50	100	150	200	50	100	150	200	50	100	150	200	50
N	6	6	6	8	8	8	8	10	10	10	10	12	12	12	12	14	14	14	14	16	16	16	16	18	18	18	18	20
M	1	1	1	2	2	2	2	3	3	3	3	4	4	4	4	5	5	5	5	6	6	6	6	7	7	7	7	8
KG	6	6.5	7	7.5	8	8.5	9	9.5	10	10.5	11	11.5	12	12.5	13	13.5	14	14.5	15	15.5	16	16.5	17	17.5	18	18.5	19	19.5

有效行程 Stroke	1500	1550	1600	1650	1700	1750	1800	1850	1900	1950	2000	2050	2100	2150	2200	2250	2300	2350	2400	2450	2500	2550	2600	2650	2700	2750	2800	2850
L	1770	1820	1870	1920	1970	2020	2070	2120	2170	2220	2270	2320	2370	2420	2470	2520	2570	2620	2670	2720	2770	2820	2870	2920	2970	3020	3070	3120
A	100	150	200	50	100	150	200	50	100	150	200	50	100	150	200	50	100	150	200	50	100	150	200	50	100	150	200	50
N	20	20	20	22	22	22	22	24	24	24	24	26	26	26	26	28	28	28	28	30	30	30	30	32	32	32	32	34
M	8	8	8	9	9	9	9	10	10	10	10	11	11	11	11	12	12	12	12	13	13	13	13	14	14	14	14	15
KG	20	20.5	21	21.5	22	22.5	23	23.5	24	24.5	25	25.5	26	26.5	27	27.5	28	28.5	29	29.5	30	30.5	31	31.5	32	32.5	33	33.5

有效行程 Stroke	2900	2950	3000	3050	3100	3150	3200	3250	3300	3350	3400	3450	3500	3550	3600	3650	3700	3750	3800	3850	3900	3950	4000	4050	4100	4150	4200
L	3170	3220	3270	3320	3370	3420	3470	3520	3570	3620	3670	3720	3770	3820	3870	3920	3970	4020	4070	4120	4170	4220	4270	4320	4370	4420	4470
A	100	150	200	50	100	150	200	50	100	150	200	50	100	150	200	50	100	150	200	50	100	150	200	50	100	150	200
N	34	34	34	36	36	36	36	38	38	38	38	40	40	40	40	42	42	42	42	44	44	44	44	46	46	46	46
M	15	15	15	16	16	16	16	17	17	17	17	18	18	18	18	19	19	19	19	20	20	20	20	21	21	21	21
KG	34	34.5	35	35.5	36	36.5	37	37.5	38	38.5	39	39.5	40	40.5	41	41.5	42	42.5	43	43.5	44	44.5	45	45.5	46	46.5	47

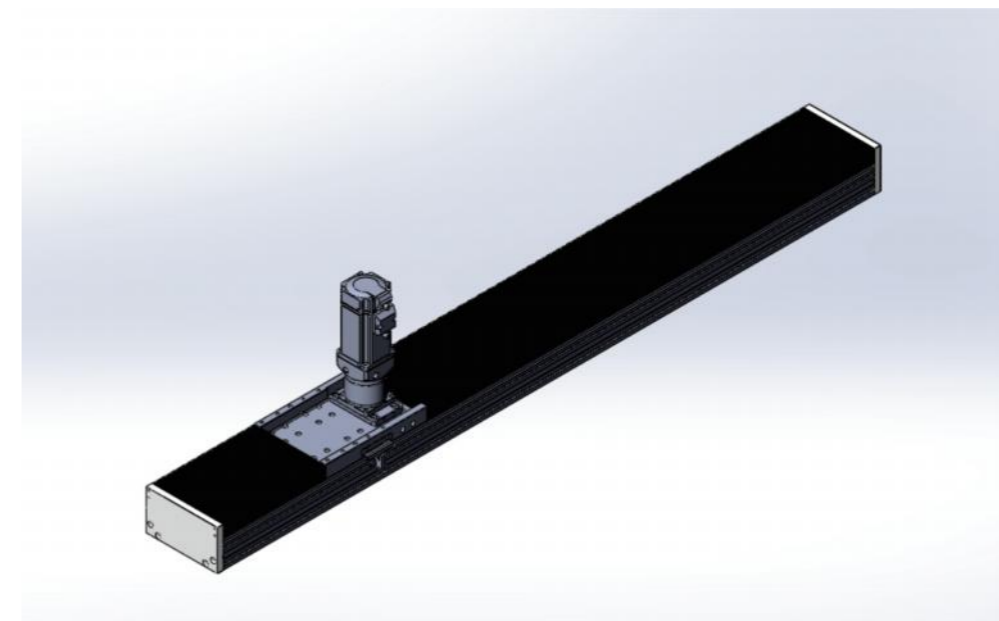
如有超长行程及定制需求, 请咨询我司业务。 If you have extra long trip and custom requirements, please consult our business.

可选定制方案介绍(多个载重滑台)
Introduction to optional customized solutions (multiple load slides)



升级款: 增加多个滑台, 满足更多使用需求。
Upgraded version: add multiple axis to meet demands.

F款防尘型产品
F type dust-proof product



升级款: 增加防尘风琴罩, 可满足更多使用环境。
Upgraded version: add a dust-proof organ cover to meet more usage environments.

HNR-E
HNB-E
HFR
HNR
HCR
HNB
HCB
HNT
XYZ
参考资料
Reference data



重复精度
Repeat Accuracy
±0.04 mm

此图仅供参考, 出货规格详见尺寸图面
This drawing is for reference only, Please refer to the size drawing for shipment specifications.

最大行程
Max stroke **5650mm**

最高速度
Max speed **3000mm/s**

马达容量
Motor output **750W**

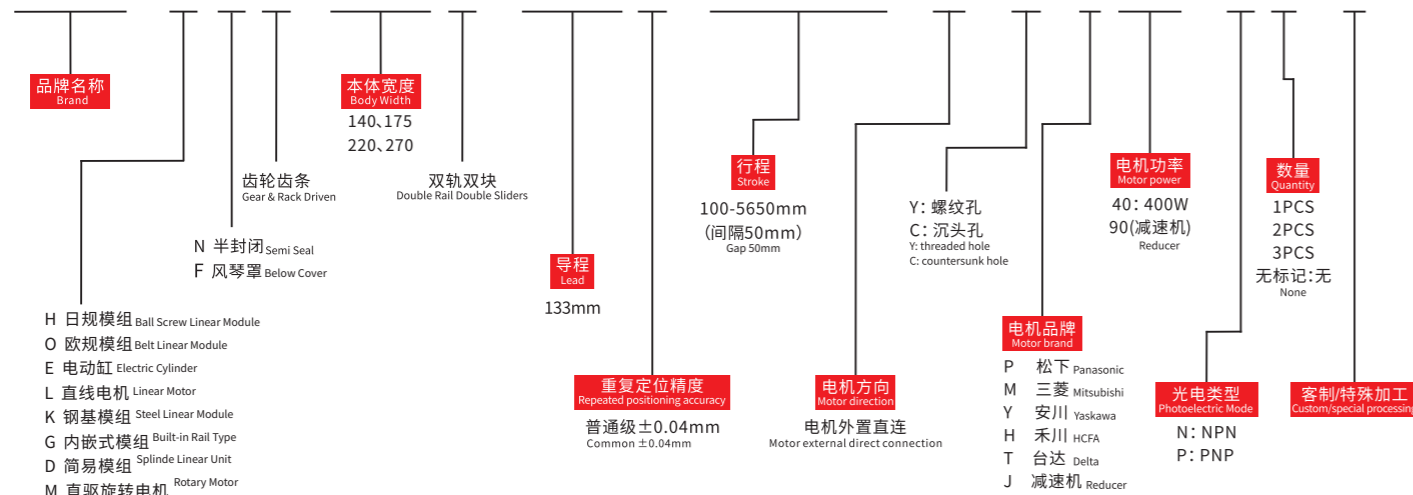
齿条
Rack **2M**

直线滑轨
Linear guide **20X15-2支**

※依减速比不同而异
The maximum speed depends on different gear ratio.

型号表达方式 Ordering method

TPA-HNT-175D-133C-L5650-M-C-J90-N3-F

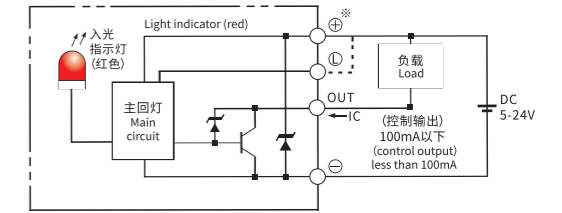


产品性能参数如下 Product performance parameters are as follows

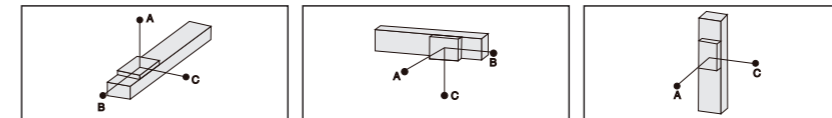
规格 Spec	电机功率 (W) Motor power (W)	750W				
	额定扭矩 (N.M) Rated torque (N.M)	2.4				
	重复定位精度 (mm) Repeated positioning accuracy (mm)	±0.04				
	导程 (mm) Lead (mm)	133				
	减速比 Reduction ratio	3:1	5:1	7:1	10:1	
	最高速度 (mm/s) Maximum speed (mm/s)	2216	1330	950	665	
	电机额定转速 (RPM) Rated speed of motor (RPM)	3000				
	最大可搬重量 Maximum Payload	水平使用 (kg) Horizontal (kg)	31	63	83	102
		垂直使用 (kg) Vertical (kg)	9	18	25	33
	额定推力 (N) Rated thrust (N)	287	479	671	958	
行程 (mm) Stroke (mm)	100~5650mm/50 间隔 50 mm Pitch					
部 品 Parts	基座材质 Material of base	硬质挤压铝材A1 Hard extruded aluminum A1				
	使用环境 Operating environment	0~40°C, 85%RH (无凝结) No condensation				

注1: 使用非上述功率电机时请依据实际参数推算。
Note 1: When using a motor with a power other than the above, please calculate according to the actual parameters.

感应器连接图<原点及端点> Sensor layout

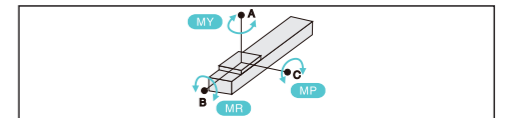


容许负载力矩表 N.m Allowable overhang



水平安装 Horizontal installation				侧面安装 Side mounting				垂直安装 Vertical installation			
	A	B	C		A	B	C		A	C	
3:1	10kg	991	837	587	8kg	777	1009	1281	5kg	1215	1215
	14kg	687	531	398	15kg	389	521	658	9kg	644	644
	31kg	294	244	188	33kg	188	237	294	-	-	-
5:1	25kg	1396	643	557	21kg	681	790	1689	8kg	1639	1639
	38kg	892	411	356	36kg	374	430	949	13kg	1083	1083
	63kg	510	218	193	63kg	193	218	511	18kg	868	868
7:1	35kg	1666	547	538	30kg	633	644	1961	10kg	1922	1922
	55kg	1030	331	328	50kg	365	369	1143	14kg	1377	1377
	83kg	654	206	204	83kg	204	206	656	25kg	769	769
10:1	50kg	1789	443	456	45kg	521	506	2027	13kg	1770	1770
	70kg	1238	290	302	65kg	331	218	1349	20kg	1174	1174
	102kg	827	185	193	102kg	193	185	829	33kg	688	688

静态容许负载惯量 Static loading moment



	(单位Unit:N.m)
MY	1032
MP	1034
MR	908

*力矩表所表示的数据, 代表重心。
The torque value in the chart indicate the center of gravity.
*符合型录规范的正常试用下, 保证寿命为10000公里。
Operation life is 10,000km when the product is using under the specified conditions.
*倒吊使用无法套用标准规范, 如有需求请咨询我司业务。
The standard specification cannot be applied to the use of inverted crane. Please consult our business if necessary.

搭配伺服马达一览表 Suitable motor brand

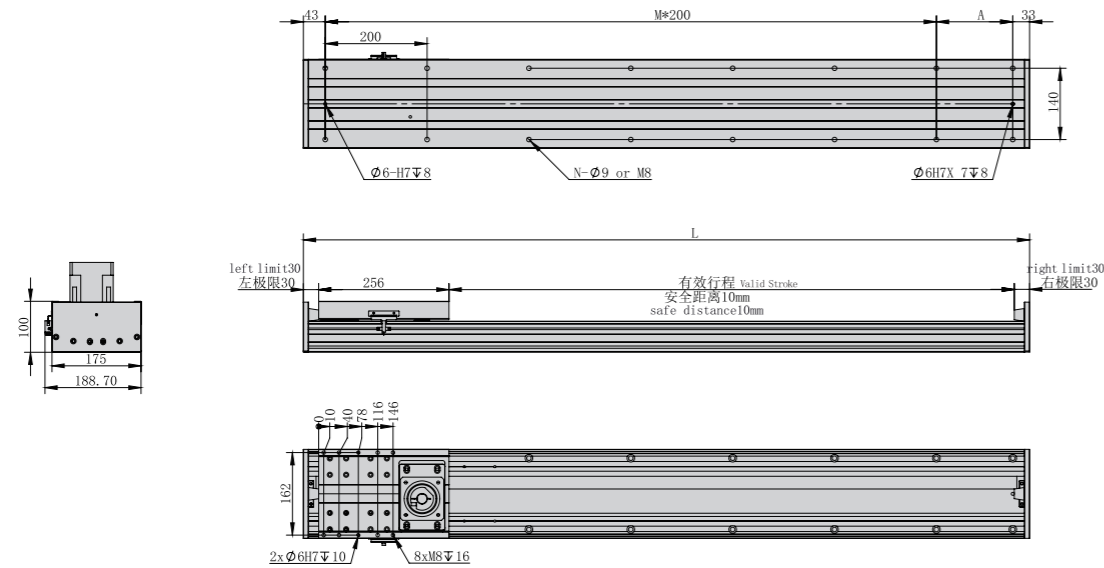
品牌 Brand	马达记号 Mark	刹车有无 Brake	马达容量 Motor capacity	电源电压 AC-Voltage	伺服马达型号 Servo motor model	驱动器型号 Driver Model
三菱 Mitsubishi	M	无刹车(水平式样) No brake (horizontal type)	750	220	HG-KN73J-S100	MR-JE-70A
松下 Panasonic	P	无刹车(水平式样) No brake (horizontal type)	750	220	MHMF082L1U2M	MCDLN35SE
台达 Delta	T	无刹车(水平式样) No brake (horizontal type)	750	220	ECM-B3M-C20807SS1	ASD-B3-0721-L



电机外置直连
Motor external direct connection

M 电机外置直连 Motor external direct connection

单位:Unit: mm



*不含电机重量。*Motor weight not included.

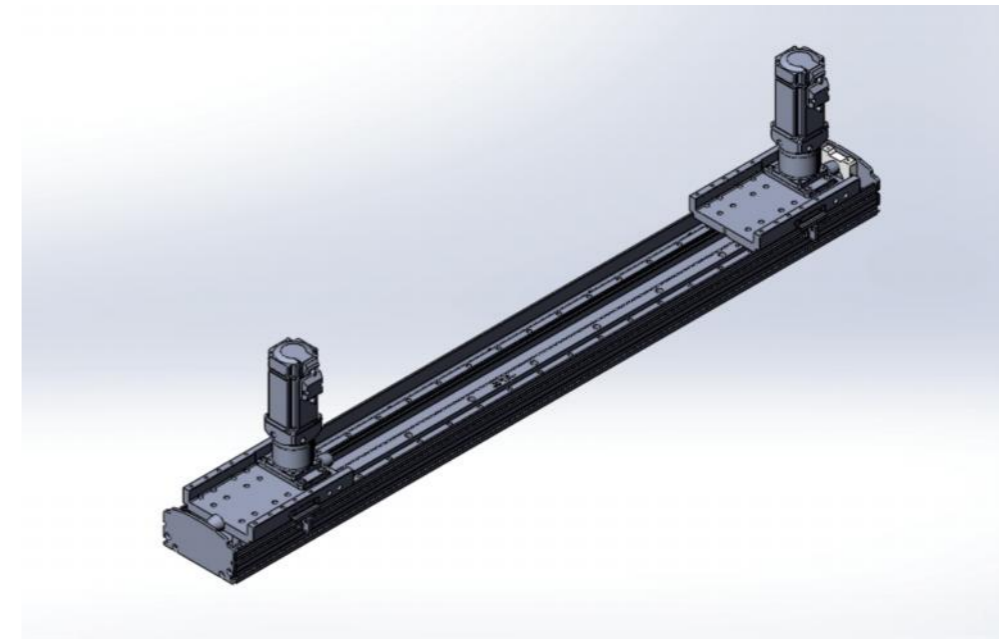
有效行程 Stroke	100	150	200	250	300	350	400	450	500	550	600	650	700	750	800	850	900	950	1000	1050	1100	1150	1200	1250	1300	1350	1400	1450	1500	1550	1600	1650	1700	1750	1800	1850	1900
L	426	476	526	576	626	676	726	776	826	876	926	976	1026	1076	1126	1176	1226	1276	1326	1376	1426	1476	1526	1576	1626	1676	1726	1776	1826	1876	1926	1976	2026	2076	2126	2176	2226
A	150	200	50	100	150	200	50	100	150	200	50	100	150	200	50	100	150	200	50	100	150	200	50	100	150	200	50	100	150	200	50	100	150	200	50	100	150
N	6	6	8	8	8	8	10	10	10	10	12	12	12	12	14	14	14	14	16	16	16	16	18	18	18	18	20	20	20	20	22	22	22	22	24	24	24
M	1	1	2	2	2	2	3	3	3	3	4	4	4	4	5	5	5	5	6	6	6	6	7	7	7	7	8	8	8	8	9	9	9	9	10	10	10
KG	9	9.5	10	10.5	11	11.5	12	12.5	13	13.5	14	14.5	15	15.5	16	16.5	17	17.5	18	18.5	19	19.5	20	20.5	21	21.5	22	22.5	23	23.5	24	24.5	25	25.5	26	26.5	27

有效行程 Stroke	1950	2000	2050	2100	2150	2200	2250	2300	2350	2400	2450	2500	2550	2600	2650	2700	2750	2800	2850	2900	2950	3000	3050	3100	3150	3200	3250	3300	3350	3400	3450	3500	3550	3600	3650	3700	3750
L	2276	2326	2376	2426	2476	2526	2576	2626	2676	2726	2776	2826	2876	2926	2976	3026	3076	3126	3176	3226	3276	3326	3376	3426	3476	3526	3576	3626	3676	3726	3776	3826	3876	3926	3976	4026	4076
A	200	50	100	150	200	50	100	150	200	50	100	150	200	50	100	150	200	50	100	150	200	50	100	150	200	50	100	150	200	50	100	150	200	50	100	150	200
N	24	26	26	26	26	28	28	28	28	30	30	30	30	32	32	32	32	34	34	34	34	36	36	36	36	38	38	38	38	40	40	40	40	42	42	42	42
M	10	11	11	11	11	12	12	12	12	13	13	13	13	14	14	14	14	15	15	15	15	16	16	16	16	17	17	17	17	18	18	18	18	19	19	19	19
KG	27.5	28	28.5	29	29.5	30	30.5	31	31.5	32	32.5	33	33.5	34	34.5	35	35.5	36	36.5	37	37.5	38	38.5	39	39.5	40	40.5	41	41.5	42	42.5	43	43.5	44	44.5	45	45.5

有效行程 Stroke	3800	3850	3900	3950	4000	4050	4100	4150	4200	4250	4300	4350	4400	4450	4500	4550	4600	4650	4700	4750	4800	4850	4900	4950	5000	5050	5100	5150	5200	5250	5300	5350	5400	5450	5500	5550	5600	5650
L	4126	4176	4226	4276	4326	4376	4426	4476	4526	4576	4626	4676	4726	4776	4826	4876	4926	4976	5026	5076	5126	5176	5226	5276	5326	5376	5426	5476	5526	5576	5626	5676	5726	5776	5826	5876	5926	5976
A	50	100	150	200	50	100	150	200	50	100	150	200	50	100	150	200	50	100	150	200	50	100	150	200	50	100	150	200	50	100	150	200	50	100	150	200	50	100
N	44	44	44	44	46	46	46	46	48	48	48	48	50	50	50	52	52	52	52	54	54	54	54	56	56	56	56	58	58	58	58	60	60	60	60	62	62	
M	20	20	20	20	21	21	21	22	22	22	22	23	23	23	24	24	24	24	25	25	25	25	26	26	26	26	27	27	27	27	28	28	28	28	29	29	29	
KG	46	46.5	47	47.5	48	48.5	49	49.5	50	50.5	51	51.5	52	52.5	53	53.5	54	54.5	55	55.5	56	56.5	57	57.5	58	58.5	59	59.5	60	60.5	61	61.5	62	62.5	63	63.5	64	64.5

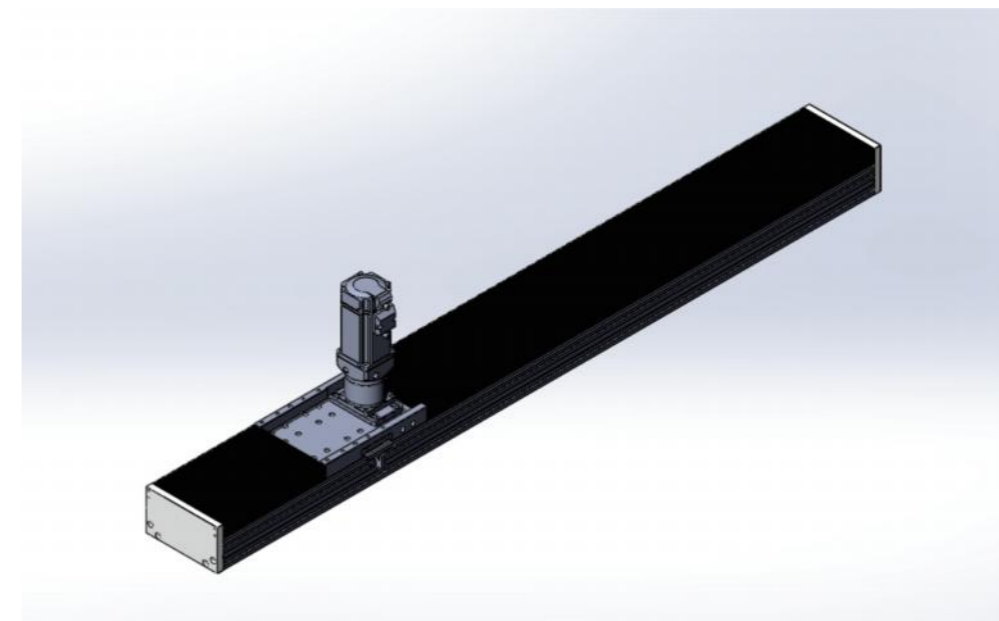
如有超长行程及定制需求,请咨询我司业务。If you have extra long trip and custom requirements, please consult our business.

可选定制方案介绍(多个载重滑台)
Introduction to optional customized solutions (multiple load slides)



升级款:增加多个滑台,满足更多使用需求。
Upgraded version: add multiple axis to meet demands.

F款防尘型产品
F type dust-proof product



升级款:增加防尘风琴罩,可满足更多使用环境。
Upgraded version: add a dust-proof organ cover to meet more usage environments.

HNR-E
HNB-E
HFR
HNR
HCR
HNB
HCB
HNT
XYZ
参考资料
Reference data



重复精度
Repeat Accuracy
±0.04 mm

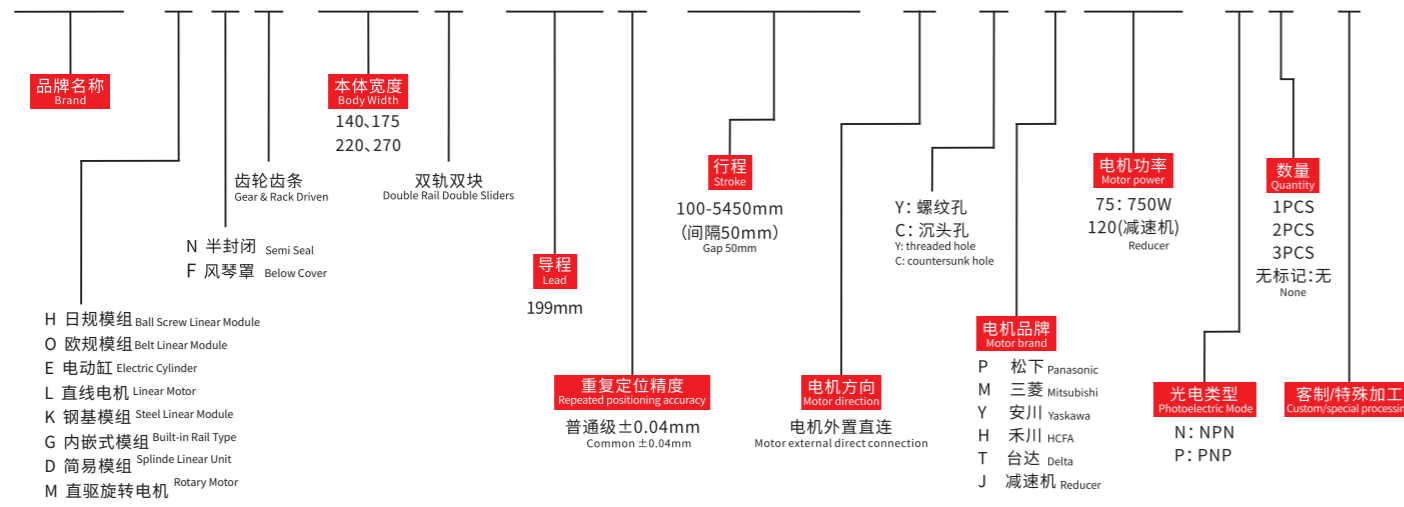
此图仅供参考, 出货规格详见尺寸图面
This drawing is for reference only, Please refer to the size drawing for shipment specifications.

- 最大行程 Max stroke: 5450mm
- 最高速度 Max speed: 3500mm/s
- 马达容量 Motor output: 1500W
- 齿条 Rack: 2M
- 直线导轨 Linear guide: 20X15-2支

※依减速比不同而异
The maximum speed depends on different gear ratio.

型号表达方式 Ordering method

TPA-HNT-220D-199C-L5450-M-C-J120-N3-F

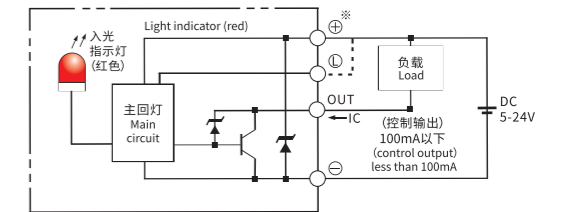


产品性能参数如下 Product performance parameters are as follows

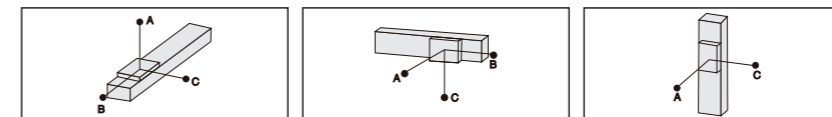
电机功率 (W) Motor power (W)	1000W				
额定扭矩 (N.M) Rated torque (N.M)	3.18				
重复定位精度 (mm) Repeated positioning accuracy (mm)	±0.04				
导程 (mm) Lead (mm)	199				
减速比 Reduction ratio	5:1	7:1	10:1	20:1	
最高速度 (mm/s) Maximum speed (mm/s)	1990	1421	995	497	
电机额定转速 (RPM) Rated speed of motor (RPM)	3000				
最大可搬重量 Maximum Payload	水平使用 (kg) Horizontal (kg)	43	105	128	150
	垂直使用 (kg) Vertical (kg)	15	21	42	50
额定推力 (N) Rated thrust (N)	427	597	854	1708	
行程 (mm) Stroke (mm)	100~5450mm/50 间隔 50 mm Pitch				
部品 Parts	基座材质 Material of base	硬质挤压铝材A1 Hard extruded aluminum A1			
	使用环境 Operating environment	0~40°C, 85%RH(无凝结) No condensation			

注1: 使用非上述功率电机时请依据实际参数推算。
Note 1: When using a motor with a power other than the above, please calculate according to the actual parameters.

感应器连接图<原点及端点> Sensor layout

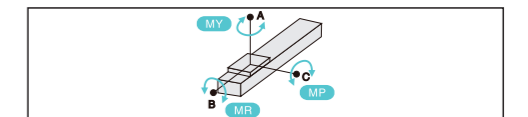


容许负载力矩表 N.m Allowable overhang



水平安装 Horizontal installation (单位Unit:mm)				侧面安装 Side mounting (单位Unit:mm)				垂直安装 Vertical installation (单位Unit:mm)			
	A	B	C		A	B	C		A	C	
3:1	10kg	2450	1621	1057	8kg	1277	1960	2953	5kg	3516	3516
	14kg	1441	943	618	15kg	783	1195	1818	9kg	2060	2060
	31kg	983	635	417	33kg	417	635	983	-	-	-
5:1	25kg	1527	619	463	21kg	425	569	1409	8kg	2716	2716
	38kg	1141	456	341	36kg	320	425	1071	13kg	2038	2038
	63kg	898	355	267	63kg	267	355	898	-	-	-
7:1	35kg	2076	594	471	30kg	429	534	2157	10kg	2613	2613
	55kg	1850	448	357	50kg	338	422	1760	14kg	1919	1919
	83kg	1508	355	284	83kg	284	355	1508	25kg	1516	1516
10:1	50kg	3225	568	479	45kg	432	508	2905	13kg	2510	2510
	70kg	2559	439	372	65kg	356	419	2449	20kg	1800	1800
	102kg	2118	354	300	102kg	300	354	2118	33kg	1401	1401

静态容许负载惯量 Static loading moment



	(单位Unit:N.m)
MY	2052
MP	2052
MR	1810

*力矩表所表示的数据, 代表重心。
The torque value in the chart indicate the center of gravity.
*符合型录规范的正常试用下, 保证寿命为10000公里。
Operation life is 10,000km when the product is using under the specified conditions.
*倒吊使用无法套用标准规范, 如有需求请咨询我司业务。
The standard specification cannot be applied to the use of inverted crane. Please consult our business if necessary.

搭配伺服马达一览表 Suitable motor brand

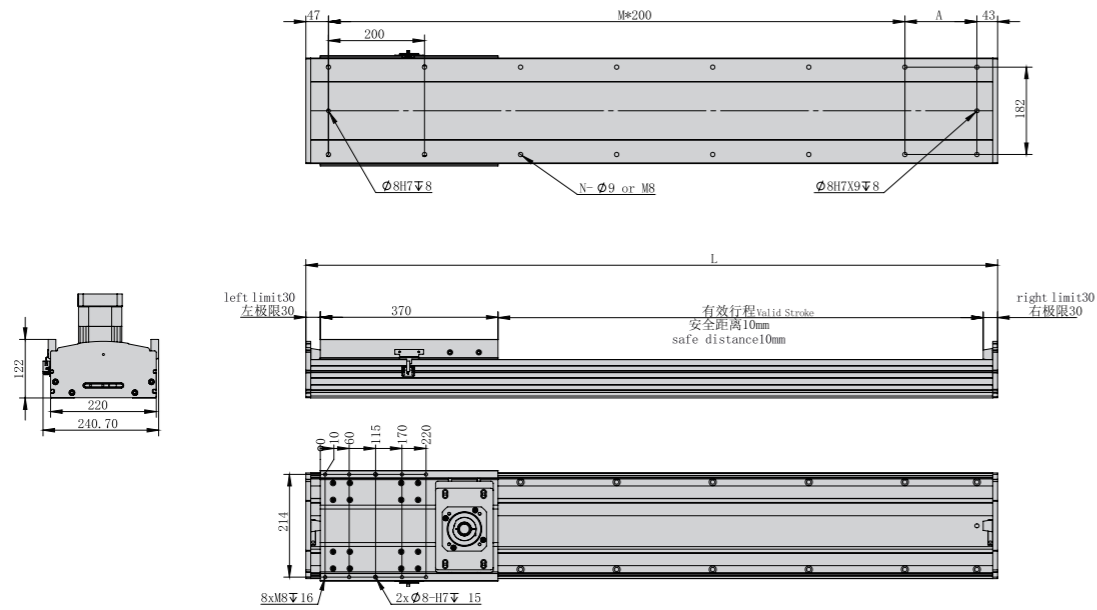
品牌 Brand	马达记号 Mark	刹车有无 Brake	马达容量 Motor capacity	电源电压 AC-Voltage	伺服马达型号 Servo motor model	驱动器型号 Driver Model
三菱 Mitsubishi	M	无刹车(水平式样) No brake (horizontal type)	750	220	HG-KN73J-S100	MR-JE-70A
松下 Panasonic	P	无刹车(水平式样) No brake (horizontal type)	750	220	MHMF082L1U2M	MCDLN35SE
台达 Delta	T	无刹车(水平式样) No brake (horizontal type)	750	220	ECM-B3M-C20807SS1	ASD-B3-0721-L



电机外置直连
Motor external direct connection

M 电机外置直连 Motor external direct connection

单位:Unit: mm



*不含电机重量。*Motor weight not included.

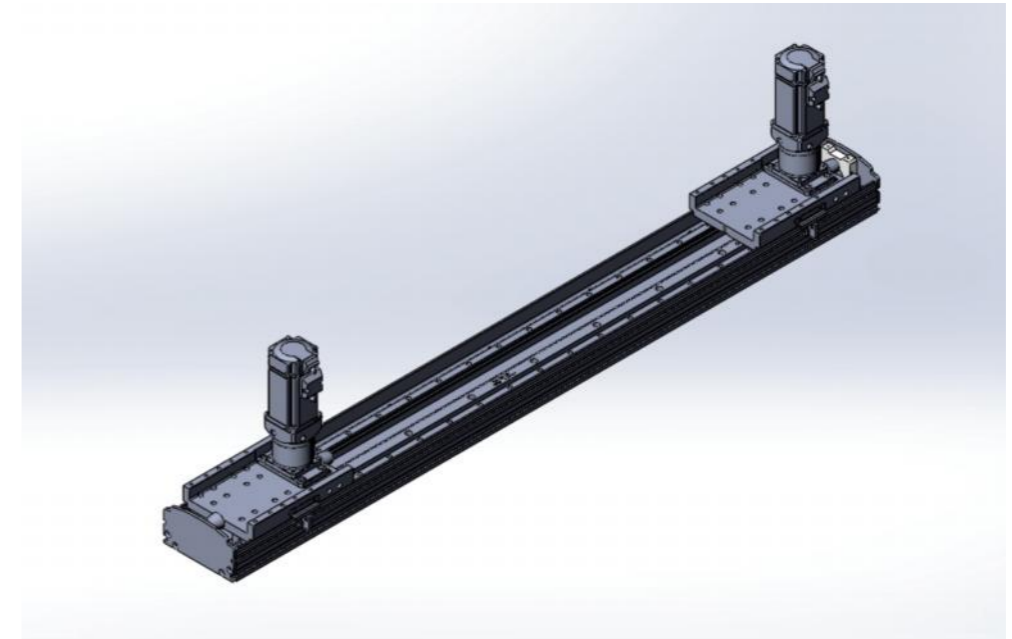
有效行程 Stroke	100	150	200	250	300	350	400	450	500	550	600	650	700	750	800	850	900	950	1000	1050	1100	1150	1200	1250	1300	1350	1400	1450	1500	1550	1600	1650	1700	1750	1800	1850
L	540	590	640	690	740	790	840	890	940	990	1040	1090	1140	1190	1240	1290	1340	1390	1440	1490	1540	1590	1640	1690	1740	1790	1840	1890	1940	1990	2040	2090	2140	2190	2240	2290
A	50	100	150	200	50	100	150	200	50	100	150	200	50	100	150	200	50	100	150	200	50	100	150	200	50	100	150	200	50	100	150	200	50	100	150	200
N	8	8	8	8	10	10	10	10	12	12	12	12	14	14	14	14	16	16	16	16	18	18	18	18	20	20	20	20	22	22	22	22	24	24	24	24
M	2	2	2	3	3	3	3	4	4	4	4	5	5	5	5	6	6	6	6	7	7	7	7	8	8	8	8	9	9	9	9	10	10	10	10	11
KG	23	25	27	29	31	33	35	37	39	41	43	45	47	49	51	53	55	57	59	61	63	65	67	69	71	73	75	77	79	81	83	85	87	89	91	93

有效行程 Stroke	1900	1950	2000	2050	2100	2150	2200	2250	2300	2350	2400	2450	2500	2550	2600	2650	2700	2750	2800	2850	2900	2950	3000	3050	3100	3150	3200	3250	3300	3350	3400	3450	3500	3550	3600	3650
L	2340	2390	2440	2490	2540	2590	2640	2690	2740	2790	2840	2890	2940	2990	3040	3090	3140	3190	3240	3290	3340	3390	3440	3490	3540	3590	3640	3690	3740	3790	3840	3890	3940	3990	4040	4090
A	50	100	150	200	50	100	150	200	50	100	150	200	50	100	150	200	50	100	150	200	50	100	150	200	50	100	150	200	50	100	150	200	50	100	150	200
N	26	26	26	26	28	28	28	28	30	30	30	30	32	32	32	32	34	34	34	34	36	36	36	36	38	38	38	38	40	40	40	40	42	42	42	42
M	11	11	11	12	12	12	12	13	13	13	14	14	14	14	15	15	15	15	16	16	16	16	17	17	17	17	18	18	18	18	19	19	19	19	20	20
KG	95	97	99	101	103	105	107	109	111	113	115	117	119	121	123	125	127	129	131	133	135	137	139	141	143	145	147	149	151	153	155	157	159	161	163	165

有效行程 Stroke	3700	3750	3800	3850	3900	3950	4000	4050	4100	4150	4200	4250	4300	4350	4400	4450	4500	4550	4600	4650	4700	4750	4800	4850	4900	4950	5000	5050	5100	5150	5200	5250	5300	5350	5400	5450
L	4140	4190	4240	4290	4340	4390	4440	4490	4540	4590	4640	4690	4740	4790	4840	4890	4940	4990	5040	5090	5140	5190	5240	5290	5340	5390	5440	5490	5540	5590	5640	5690	5740	5790	5840	5890
A	50	100	150	200	50	100	150	200	50	100	150	200	50	100	150	200	50	100	150	200	50	100	150	200	50	100	150	200	50	100	150	200	50	100	150	200
N	44	44	44	44	46	46	46	46	48	48	48	48	50	50	50	52	52	52	52	54	54	54	54	56	56	56	56	58	58	58	58	60	60	60	60	60
M	20	20	21	21	22	22	22	22	23	23	23	23	23	24	24	24	24	25	25	25	25	26	26	26	26	27	27	27	27	28	28	28	28	29	29	29
KG	167	169	171	173	175	177	179	181	183	185	187	189	191	193	195	197	199	201	203	205	207	209	211	213	215	217	219	221	223	225	227	229	231	233	235	237

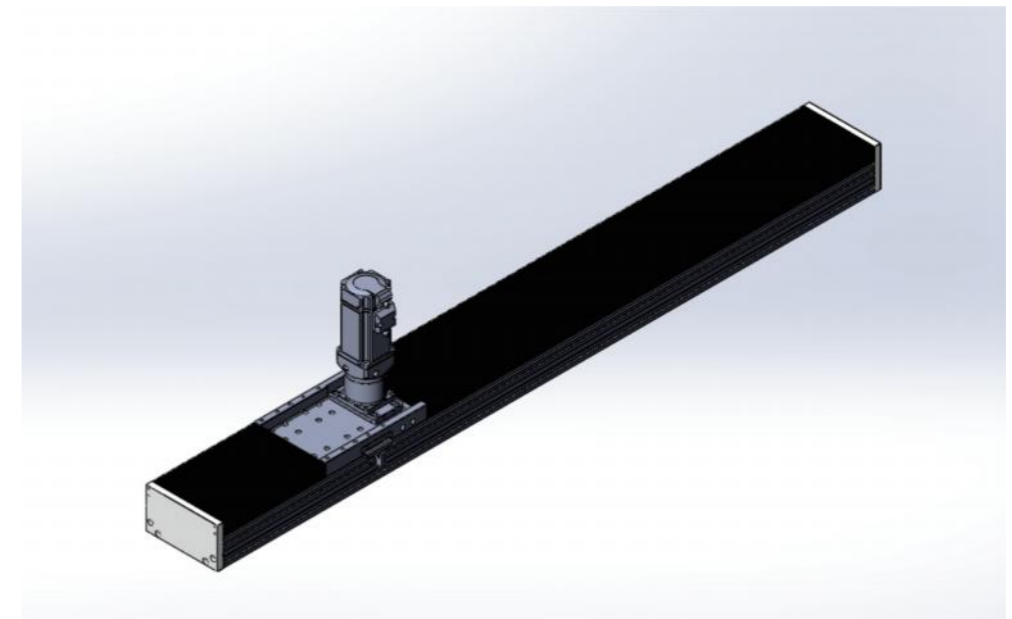
如有超长行程及定制需求,请咨询我司业务。If you have extra long trip and custom requirements, please consult our business.

可选定制方案介绍(多个载重滑台)
Introduction to optional customized solutions (multiple load slides)



升级款:增加多个滑台,满足更多使用需求。
Upgraded version: add multiple axis to meet demands.

F款防尘型产品
F type dust-proof product



升级款:增加防尘风琴罩,可满足更多使用环境。
Upgraded version: add a dust-proof organ cover to meet more usage environments.

HNR-E
HNB-E
HFR
HNR
HCR
HNB
HCB
HNT
XYZ
参考资料
Reference data



重复精度
Repeat Accuracy
±0.04 mm

此图仅供参考, 出货规格详见尺寸图画
This drawing is for reference only, Please refer to the size drawing for shipment specifications.

最大行程
Max stroke **5450mm**

最高速度
Max speed **4000mm/s**

马达容量
Motor output **1500W**

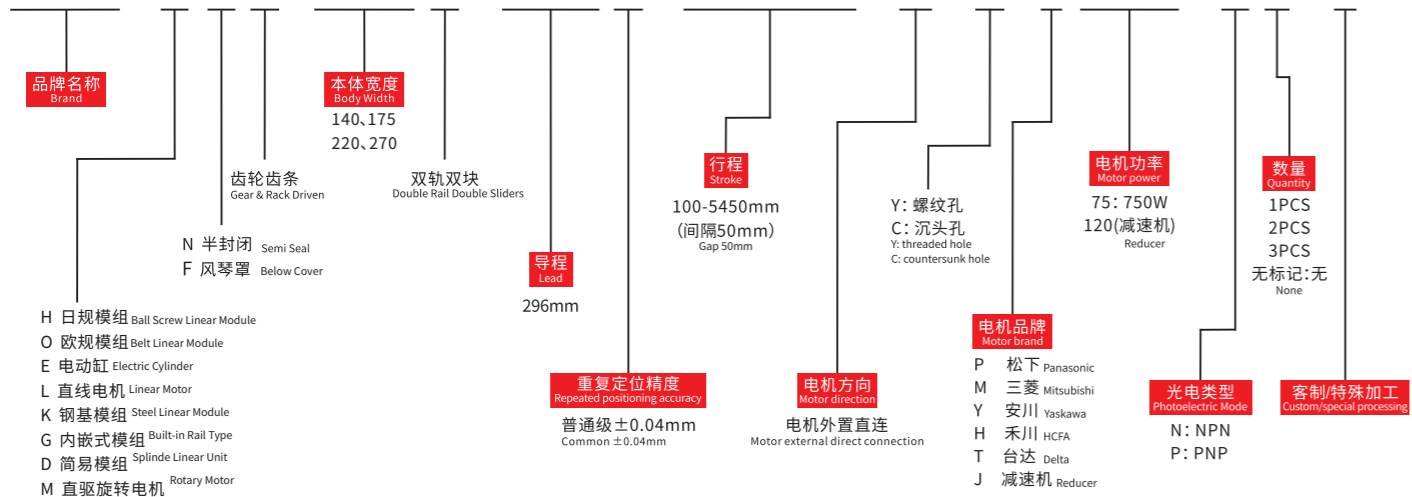
齿条
Rack **3M**

直线导轨
Linear guide **25X22-2支**

※依减速比不同而异
The maximum speed depends on different gear ratio.

型号表达方式 Ordering method

TPA-HNT-270D-296C-L5450-M-C-J120-N3-F

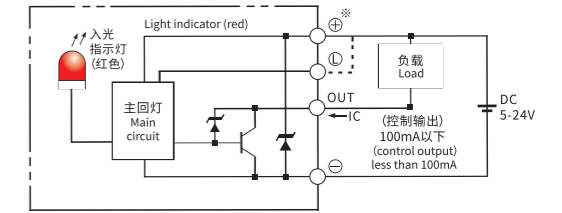


产品性能参数如下 Product performance parameters are as follows

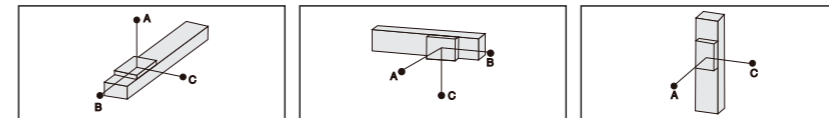
电机功率 (W) Motor power (W)	1500W				
额定扭矩 (N.M) Rated torque (N.M)	4.77				
重复定位精度 (mm) Repeated positioning accuracy (mm)	±0.04				
导程 (mm) Lead (mm)	296				
减速比 Reduction ratio	5:1	7:1	10:1	20:1	
最高速度 (mm/s) Maximum speed (mm/s)	2490	1778	1240	622.5	
电机额定转速 (RPM) Rated speed of motor (RPM)	3000				
最大可搬重量 Maximum Payload	水平使用 (kg) Horizontal (kg)	51	110	139	170
	垂直使用 (kg) Vertical (kg)	20	30	50	65
额定推力 (N) Rated thrust (N)	512	716	1024	2048	
行程 (mm) Stroke (mm)	100~5450mm/50 间隔 50 mm Pitch				
部品 Parts	基座材质 Material of base	硬质挤压铝材A1 Hard extruded aluminum A1			
	使用环境 Operating environment	0~40°C, 85%RH(无凝结) No condensation			

注1: 使用非上述功率电机时请依据实际参数推算。
Note 1: When using a motor with a power other than the above, please calculate according to the actual parameters.

感应器连接图<原点及端点> Sensor layout

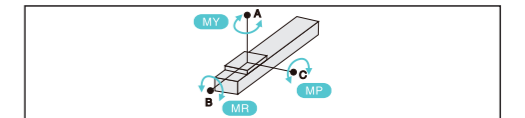


容许负载力矩表 N.m Allowable overhang



水平安装 Horizontal installation				侧面安装 Side mounting				垂直安装 Vertical installation			
	A	B	C		A	B	C		A	C	
3:1	15kg	2460	1631	1067	13kg	1287	1970	2963	10kg	3526	3526
	19kg	1451	953	628	20kg	793	1205	1828	14kg	2070	2070
	36kg	993	645	427	38kg	427	645	993	-	-	-
5:1	30kg	1537	629	473	26kg	435	579	1419	13kg	2726	2726
	43kg	1151	466	351	41kg	330	435	1081	18kg	2048	2048
	68kg	908	365	277	68kg	277	365	908	-	-	-
7:1	40kg	2086	604	481	35kg	439	544	2167	15kg	2623	2623
	60kg	1860	458	367	55kg	348	432	1770	19kg	1929	1929
	88kg	1518	365	294	88kg	294	365	1518	30kg	1526	1526
10:1	55kg	3235	578	489	50kg	442	518	2915	18kg	2520	2520
	75kg	2569	449	382	70kg	366	429	2459	25kg	1810	1810
	107kg	2128	364	310	107kg	310	364	2128	38kg	1411	1411

静态容许负载惯量 Static loading moment



	(单位Unit:N.m)
MY	3223
MP	3223
MR	2843

*力矩表所表示的数据, 代表重心。
The torque value in the chart indicate the center of gravity.
*符合型录规范的正常试用下, 保证寿命为10000公里。
Operation life is 10,000km when the product is using under the specified conditions.
*倒吊使用无法套用标准规范, 如有需求请咨询我司业务。
The standard specification cannot be applied to the use of inverted crane. Please consult our business if necessary.

搭配伺服马达一览表 Suitable motor brand

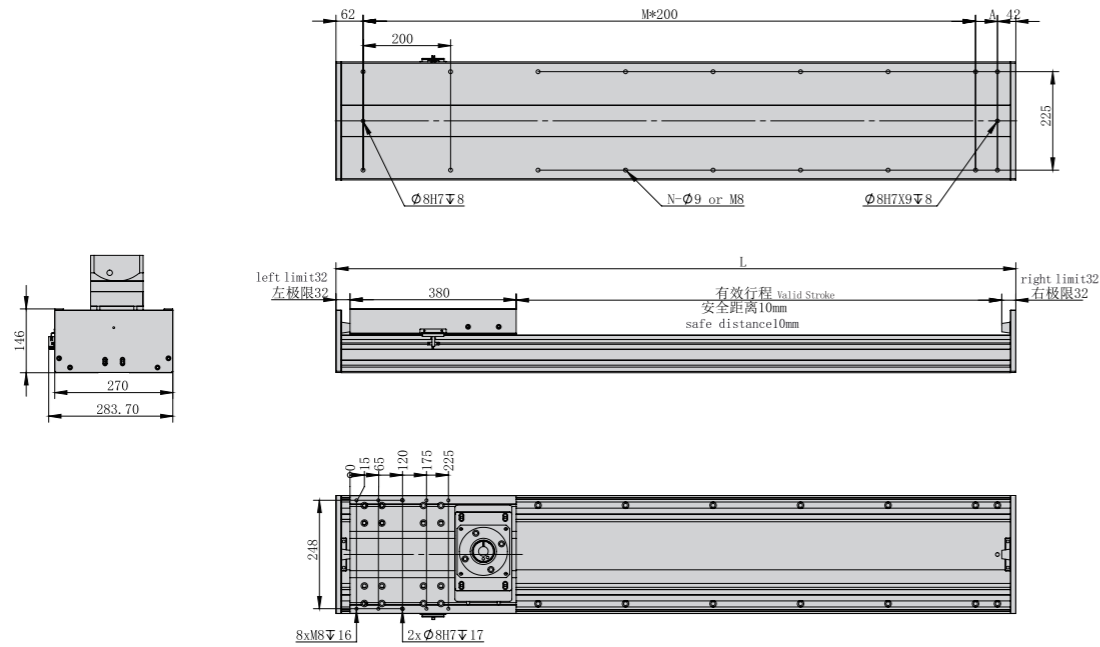
品牌 Brand	马达记号 Mark	刹车有无 Brake	马达容量 Motor capacity	电源电压 AC-Voltage	伺服马达型号 Servo motor model	驱动器型号 Driver Model
三菱 Mitsubishi	M	无刹车(水平式样) No brake (horizontal type)	750	220	HG-KN73J-S100	MR-JE-70A
松下 Panasonic	P	无刹车(水平式样) No brake (horizontal type)	750	220	MHM082L1U2M	MCDLN35SE
台达 Delta	T	无刹车(水平式样) No brake (horizontal type)	750	220	ECM-B3M-C20807SS1	ASD-B3-0721-L



电机外置直连
Motor external direct connection

M 电机外置直连 Motor external direct connection

单位:Unit: mm



*不含电机重量。*Motor weight not included.

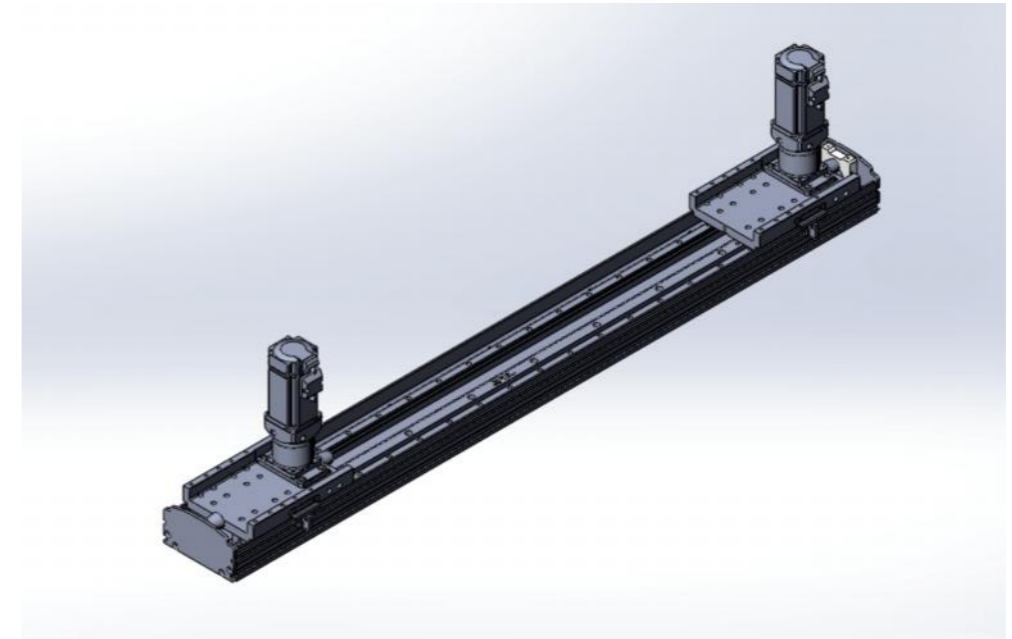
有效行程 Stroke	100	150	200	250	300	350	400	450	500	550	600	650	700	750	800	850	900	950	1000	1050	1100	1150	1200	1250	1300	1350	1400	1450	1500	1550	1600	1650	1700	1750	1800	1850
L	554	604	654	704	754	804	854	904	954	1004	1054	1104	1154	1204	1254	1304	1354	1404	1454	1504	1554	1604	1654	1704	1754	1804	1854	1904	1954	2004	2054	2104	2154	2204	2254	2304
A	50	100	150	200	50	100	150	200	50	100	150	200	50	100	150	200	50	100	150	200	50	100	150	200	50	100	150	200	50	100	150	200	50	100	150	200
N	8	8	8	10	10	10	10	12	12	12	12	14	14	14	14	16	16	16	16	18	18	18	18	20	20	20	20	22	22	22	22	24	24	24	24	26
M	2	2	2	3	3	3	3	4	4	4	4	5	5	5	5	6	6	6	6	7	7	7	7	8	8	8	8	9	9	9	9	10	10	10	10	11
KG	27	30	33	36	39	42	45	48	51	54	57	60	63	66	69	72	75	78	81	84	87	90	93	96	99	102	105	108	111	114	117	120	123	126	129	132

有效行程 Stroke	1900	1950	2000	2050	2100	2150	2200	2250	2300	2350	2400	2450	2500	2550	2600	2650	2700	2750	2800	2850	2900	2950	3000	3050	3100	3150	3200	3250	3300	3350	3400	3450	3500	3550	3600	3650
L	2354	2404	2454	2504	2554	2604	2654	2704	2754	2804	2854	2904	2954	3004	3054	3104	3154	3204	3254	3304	3354	3404	3454	3504	3554	3604	3654	3704	3754	3804	3854	3904	3954	4004	4054	4104
A	50	100	150	200	50	100	150	200	50	100	150	200	50	100	150	200	50	100	150	200	50	100	150	200	50	100	150	200	50	100	150	200	50	100	150	200
N	26	26	26	28	28	28	28	30	30	30	30	32	32	32	32	34	34	34	34	36	36	36	36	38	38	38	38	40	40	40	40	42	42	42	42	44
M	11	11	11	12	12	12	12	13	13	13	14	14	14	14	15	15	15	15	16	16	16	16	17	17	17	17	18	18	18	18	19	19	19	19	20	20
KG	135	138	141	144	147	150	153	156	159	162	165	168	171	174	177	180	183	186	189	192	195	198	201	204	207	210	213	216	219	222	225	228	231	234	237	240

有效行程 Stroke	3700	3750	3800	3850	3900	3950	4000	4050	4100	4150	4200	4250	4300	4350	4400	4450	4500	4550	4600	4650	4700	4750	4800	4850	4900	4950	5000	5050	5100	5150	5200	5250	5300	5350	5400	5450
L	4154	4204	4254	4304	4354	4404	4454	4504	4554	4604	4654	4704	4754	4804	4854	4904	4954	5004	5054	5104	5154	5204	5254	5304	5354	5404	5454	5504	5554	5604	5654	5704	5754	5804	5854	5904
A	50	100	150	200	50	100	150	200	50	100	150	200	50	100	150	200	50	100	150	200	50	100	150	200	50	100	150	200	50	100	150	200	50	100	150	200
N	44	44	44	46	46	46	46	48	48	48	48	50	50	50	52	52	52	52	54	54	54	54	56	56	56	56	58	58	58	58	60	60	60	60	62	
M	20	20	21	21	21	22	22	22	22	23	23	23	23	24	24	24	24	25	25	25	25	26	26	26	26	27	27	27	27	28	28	28	28	29	29	29
KG	243	246	249	252	255	258	261	264	267	270	273	276	279	282	285	288	291	294	297	300	303	306	309	312	315	318	321	324	327	330	333	336	339	342	345	348

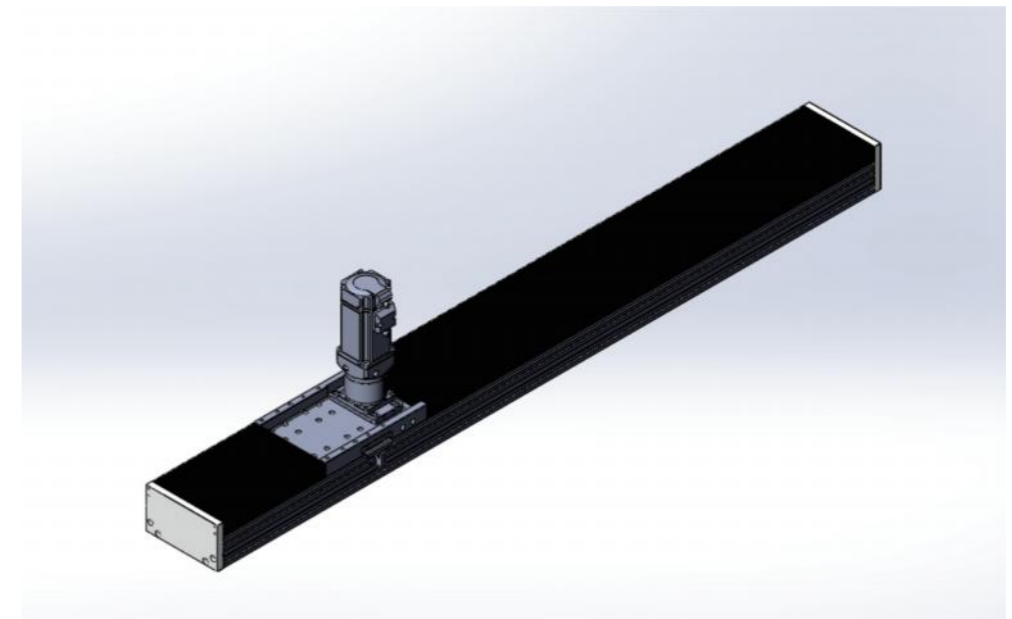
如有超长行程及定制需求,请咨询我司业务。If you have extra long trip and custom requirements, please consult our business.

可选定制方案介绍(多个载重滑台)
Introduction to optional customized solutions (multiple load slides)



升级款:增加多个滑台,满足更多使用需求。
Upgraded version: add multiple axis to meet demands.

F款防尘型产品
F type dust-proof product



升级款:增加防尘风琴罩,可满足更多使用环境。
Upgraded version: add a dust-proof organ cover to meet more usage environments.

HNR-E
HNB-E
HFR
HNR
HCR
HNB
HCB
HNT
XYZ
参考资料
Reference data

型号表达方式 Ordering method

TPA - G1 - HN203G2 - X500 - Y800 - Z200

品牌名称
Brand

组合类型
Combination type

A1、A2、A3、A4
G1、G2、G3、G4
F1、F2、F3、F4
P1、P2、P3、P4

组合方式
Combination mode

A 悬臂型
G 龙门型
F 十字型
P 极坐标型
A cantilever type
G gantry type
F cross
P polar coordinate type

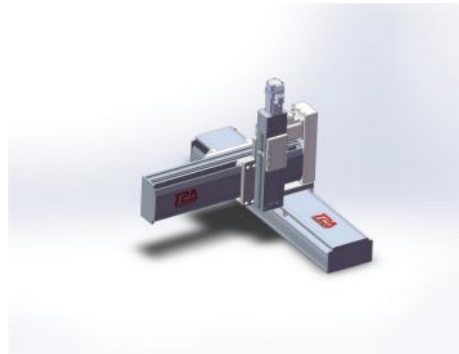
型号代码
Model code

X轴有效行程
X-Axis Valid Stroke

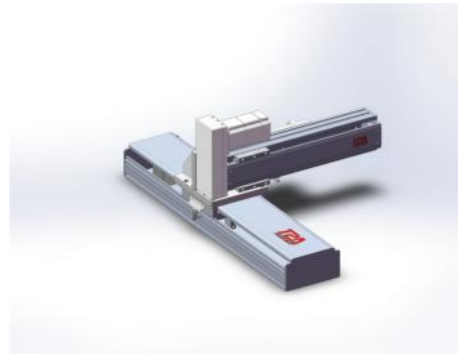
Y轴有效行程
Y-Axis Valid Stroke

Z轴有效行程
Z-Axis Valid Stroke

多轴组合形式
Multiaxial combination type



三轴悬臂型-A1
3-Axis cantilever type -A1



两轴悬臂型-A2
2-Axis cantilever type -A2



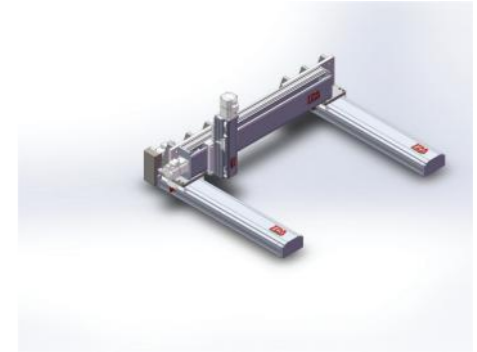
三轴悬臂型-A3
3-Axis cantilever type -A3



两轴连杆-G1
2-Axis connecting rod -G1



两轴龙门加辅轨-G2
2-Axis gantry plus auxiliary rail



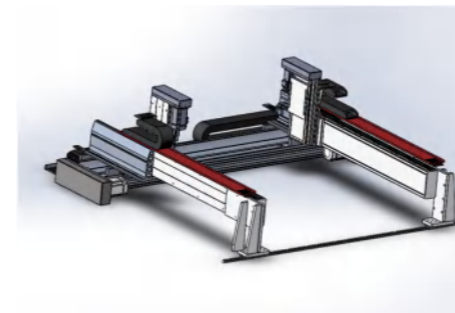
三轴龙门-G3
3-Axis gantry



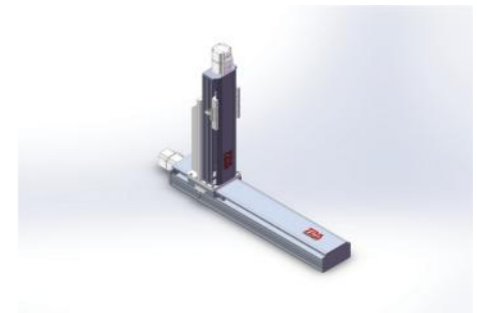
三轴龙门加辅轨-G4
3-Axis gantry plus auxiliary rail



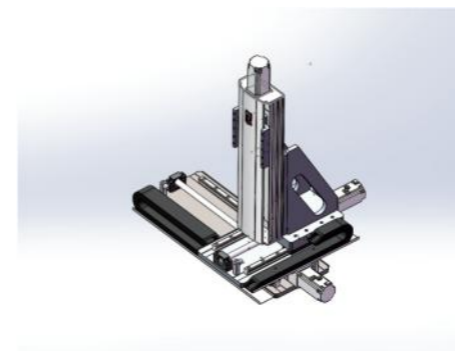
双横梁龙门-G4
Double beam gantry



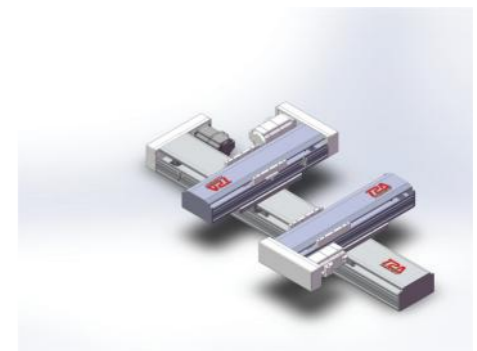
双横梁龙门加辅轨-G5
Double beam gantry plus auxiliary rail



极坐标两轴-P1
Polar coordinates 3-Axis

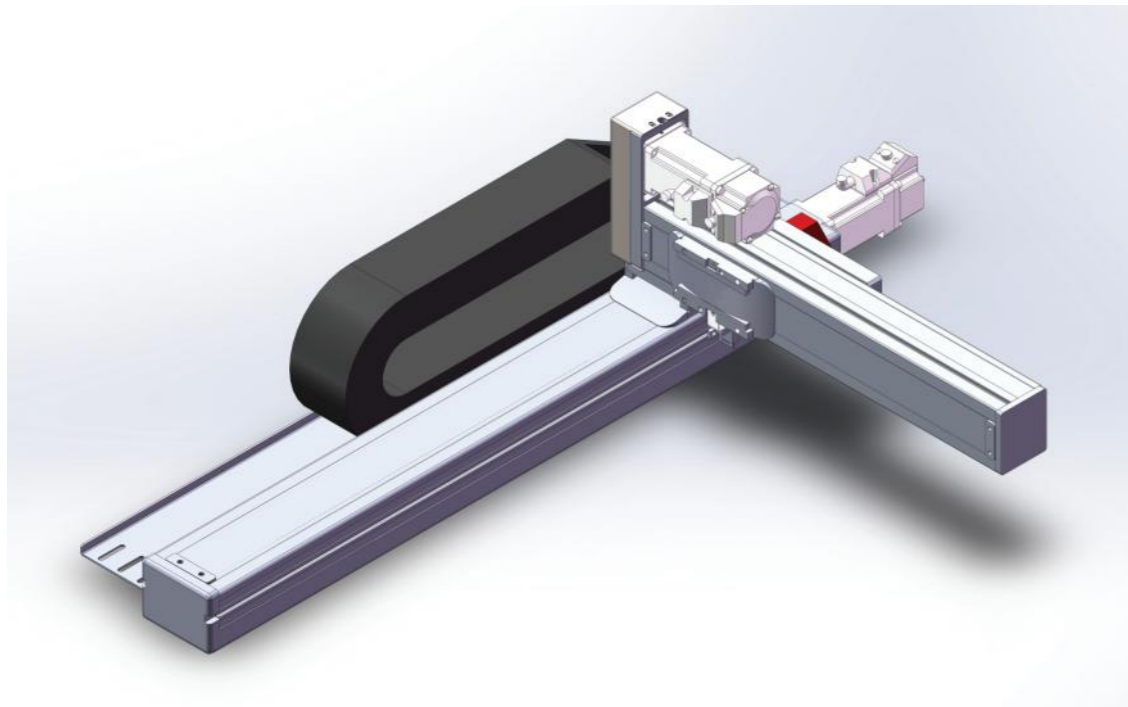


极坐标三轴-P2
Polar coordinates 3-Axis

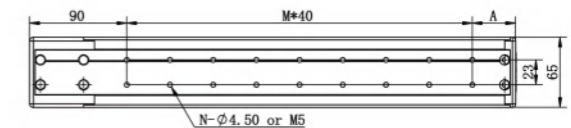
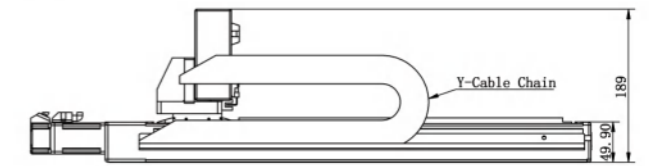
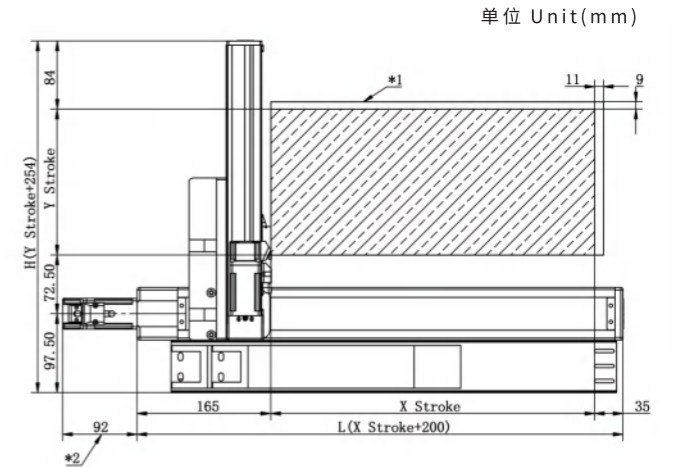
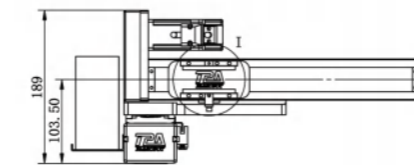
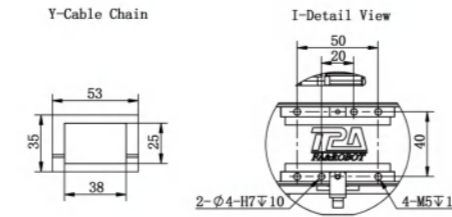


两轴对位-F1
2-Axis alignment

HNR-E
HNB-E
HFR
HNR
HCR
HNB
HCB
HNT
XYZ
参考资料 Reference data



两轴悬臂型-A2
2-Axis cantilever type -A2



*1: 原点回复时的移动范围及机械的停止位置。
The moving range of the origin and the stopping position of the machine.
*2: 电机长度根据实际情况而变动。
The length of the motor varies according to the actual situation.

多轴组合对应参数表
Multi-axis combination corresponding parameter table

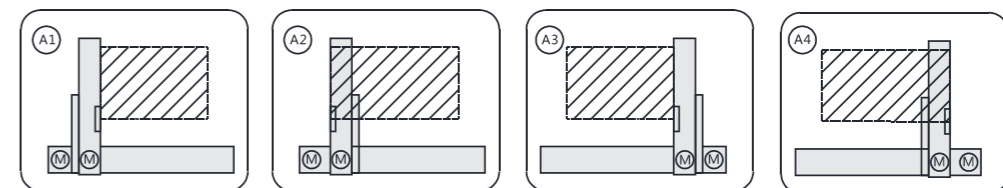
项目 Item	本体宽度 Ontology width (mm)		最大速度 Maximum speed (mm/S)		最大行程 Maximum stroke (mm)		建议马达功率 Motor power (W)		重复定位精度 Repeated positioning accuracy (mm)		最大负载 Maximum load (kg)
	X轴	Y轴	X轴	Y轴	X轴	Y轴	X轴	Y轴	X轴	Y轴	Y轴
参数 Parameter	65	50	500	500	700	350	100	100	±0.02	±0.02	5

说明:Y轴行程越长,负载越小。
Description:the longer the Y-axis stroke, the smaller the load.

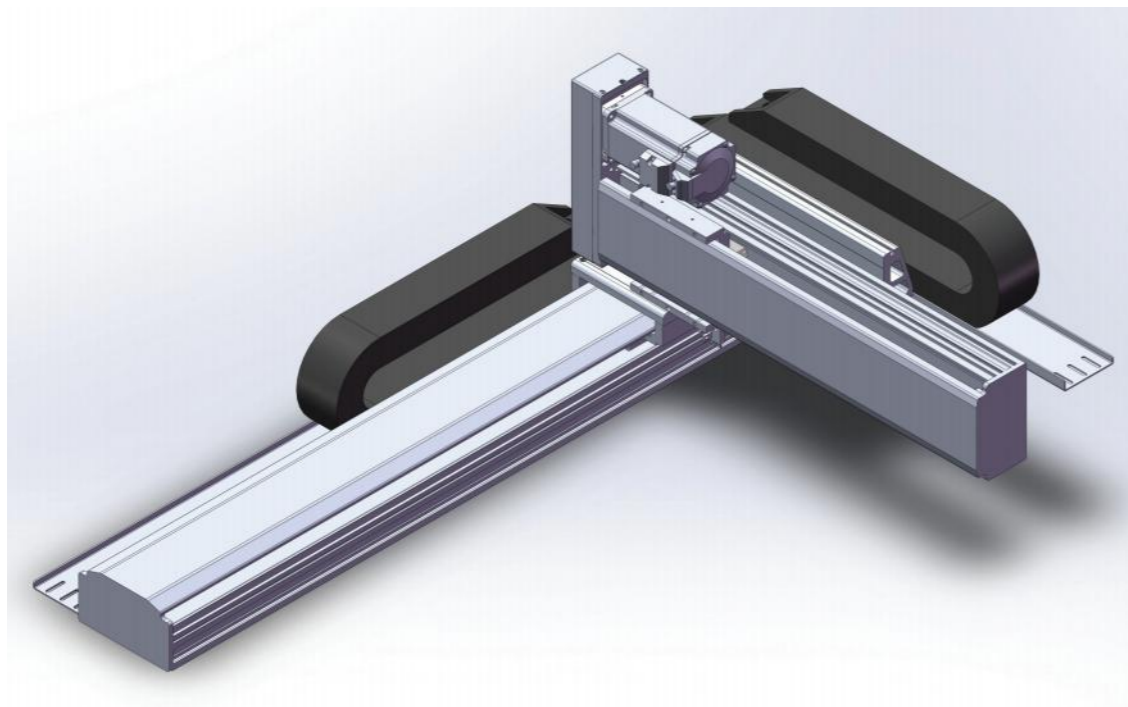
X轴行程 X Stroke(mm)	100	150	200	250	300	350	400	450	500	550	600	650	700
L	300	350	400	450	500	550	600	650	700	750	800	850	900
A	50	60	30	40	50	60	30	40	50	60	30	40	50
N	10	12	16	18	20	22	26	28	30	32	36	38	40
M	4	5	7	8	9	10	12	13	14	15	17	18	19
最快速度 Max Speed(mm/s)	500											450	400

Y轴行程 Y Stroke(mm)	100	150	200	250	300	350
H	354	404	454	504	554	604
最快速度 Max Speed(mm/s)	500					

组合方向 Combination direction

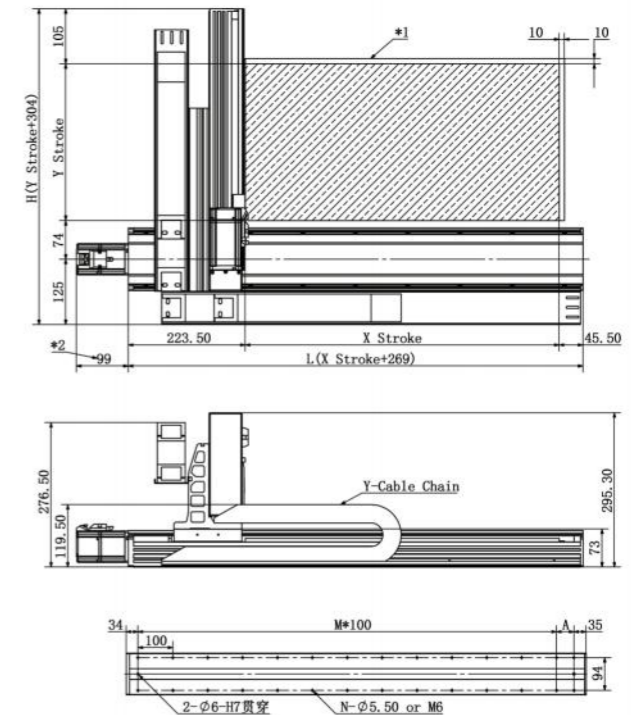
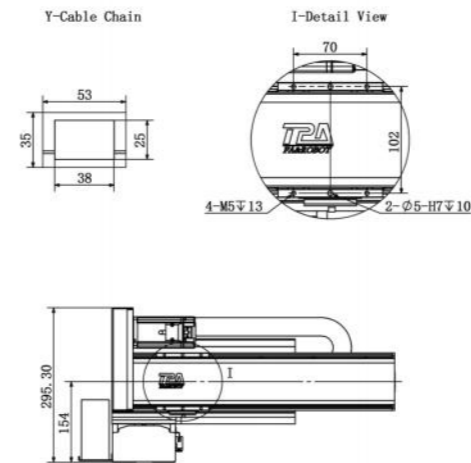


补充:最快速度表示该行程内可使用的安全速度,若超过此速度,滑台可能会发生严重抖动。
Supplement: The fastest speed means the safe speed that can be used in this trip. If the speed is exceeded, the sliding table may shake seriously.



悬臂型-A2
Cantilever type -A2

单位 Unit(mm)



*1: 原点回复时的移动范围及机械的停止位置。
The moving range of the origin and the stopping position of the machine.
*2: 电机长度根据实际情况而变动。
The length of the motor varies according to the actual situation.

多轴组合对应参数表
Multi-axis combination corresponding parameter table

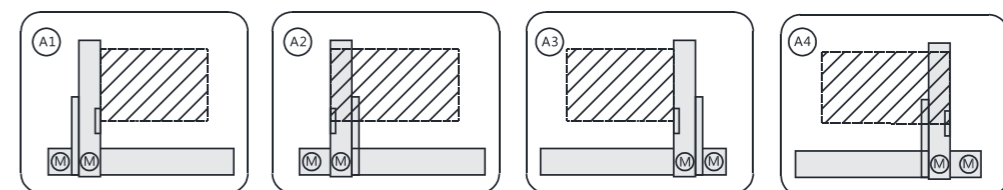
项目 Item	本体宽度 Ontology width (mm)		最大速度 Maximum speed (mm/s)		最大行程 Maximum stroke (mm)		建议马达功率 Motor power (W)		重复定位精度 Repeated positioning accuracy (mm)		最大负载 Maximum load (kg)
	X轴	Y轴	X轴	Y轴	X轴	Y轴	X轴	Y轴	X轴	Y轴	
参数 Parameter	120	110	1000	1000	1050	550	200	200	±0.02	±0.02	8

说明:Y轴行程越长,负载越小。
Description:the longer the Y-axis stroke, the smaller the load.

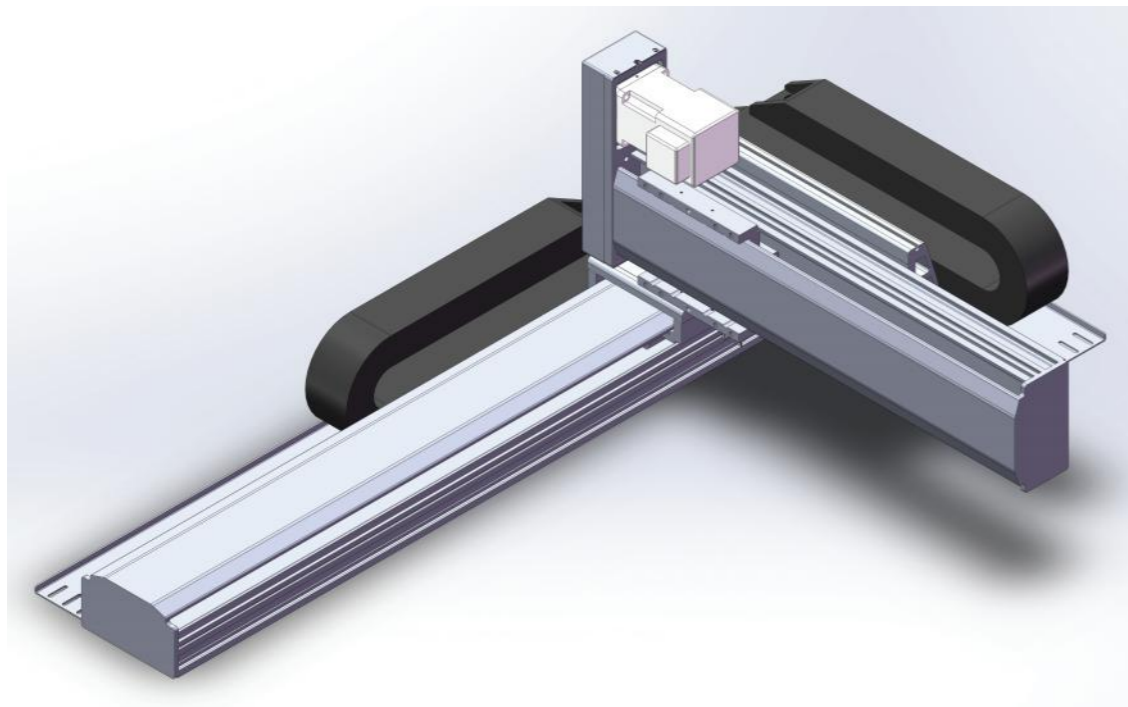
X轴行程 X Stroke(mm)	100	150	200	250	300	350	400	450	500	550	600	650	700	750	800	850	900	950	1000	1050		
L	369	419	469	519	569	619	669	719	769	819	869	919	969	1019	1069	1119	1169	1219	1269	1319		
A	100	50	100	50	100	50	100	50	100	50	100	50	100	50	100	50	100	50	100	50		
N	8	10	10	12	12	14	14	16	16	18	18	20	20	22	22	24	24	26	26	28		
M	2	3	3	4	4	5	5	6	6	7	7	8	8	9	9	10	10	11	11	12		
最快速度 Max Speed(mm/s)	1000																900	800	700	600	500	400

Y轴行程 Y Stroke(mm)	100	150	200	250	300	350	400	450	500	550
H	404	454	504	554	604	654	704	754	804	854
最快速度 Max Speed(mm/s)	1000									

组合方向 Combination direction

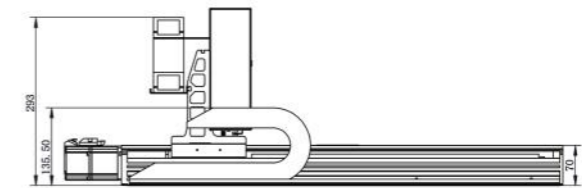
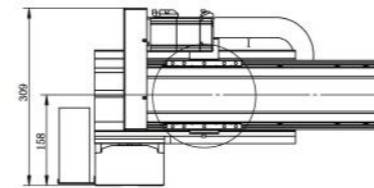
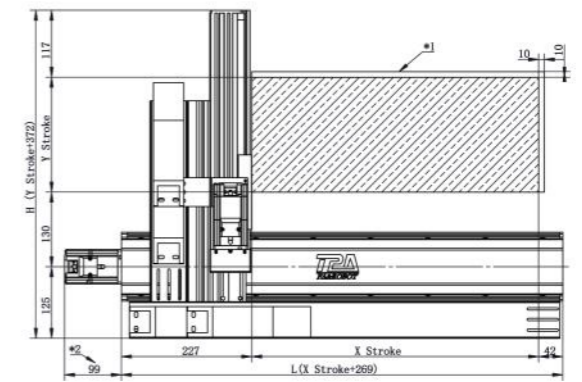
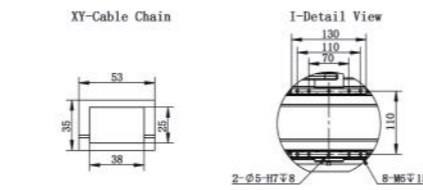


补充:最快速度表示该行程内可使用的安全速度,若超过此速度,滑台可能会发生严重抖动。
Supplement: The fastest speed means the safe speed that can be used in this trip. If the speed is exceeded, the sliding table may shake seriously.

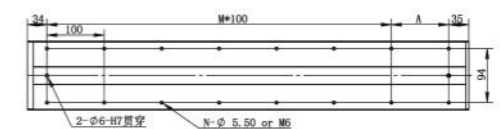


悬臂型-A2
Cantilever type -A2

单位 Unit(mm)



*1: 原点回复时的移动范围及机械的停止位置。
The moving range of the origin and the stopping position of the machine.
*2: 电机长度根据实际情况而变动。
The length of the motor varies according to the actual situation.



多轴组合对应参数表
Multi-axis combination corresponding parameter table

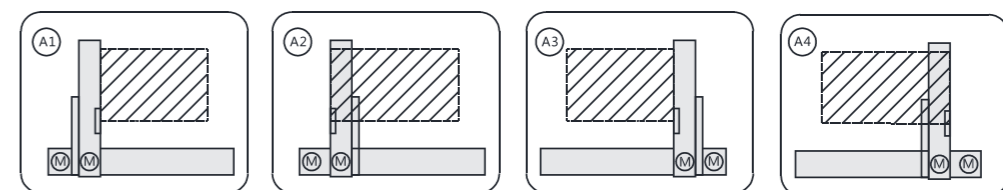
项目 Item	本体宽度 Ontology width (mm)		最大速度 Maximum speed (mm/S)		最大行程 Maximum stroke (mm)		建议马达功率 Motor power (W)		重复定位精度 Repeated positioning accuracy (mm)		最大负载 Maximum load (kg)
	X轴	Y轴	X轴	Y轴	X轴	Y轴	X轴	Y轴	X轴	Y轴	
轴 Axis	X轴	Y轴	X轴	Y轴	X轴	Y轴	X轴	Y轴	X轴	Y轴	Y轴
参数 Parameter	120	120	1000	1000	1050	550	400	200	±0.02	±0.02	11

说明:Y轴行程越长,负载越小。
Description:the longer the Y-axis stroke, the smaller the load.

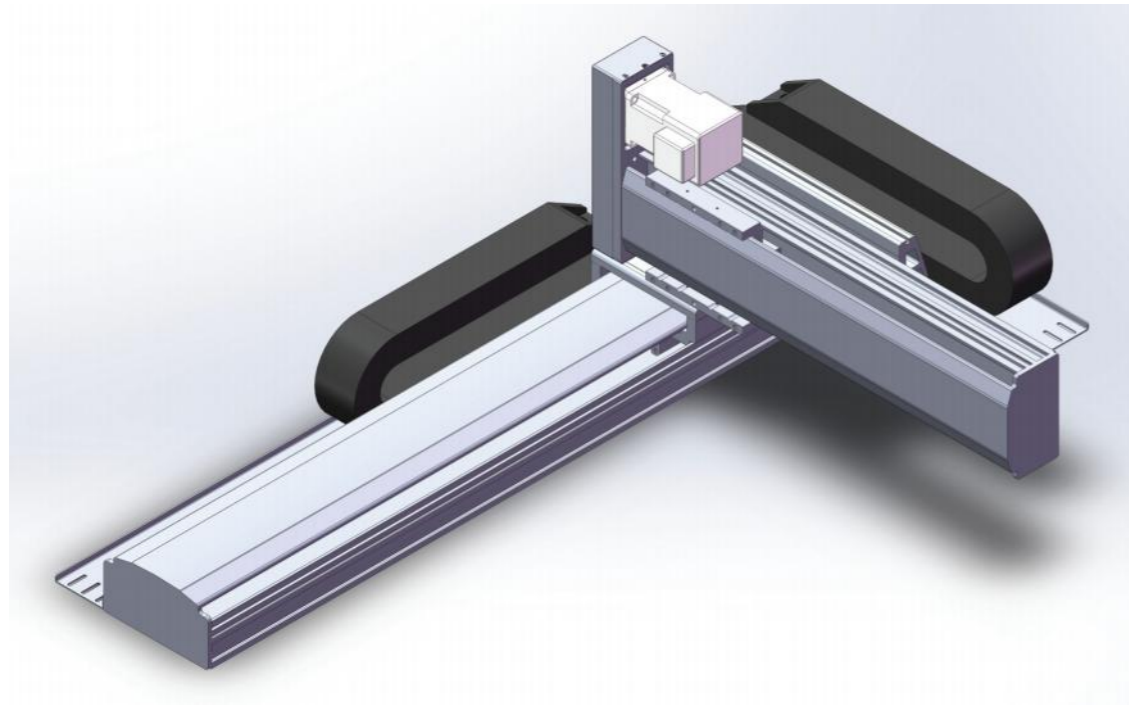
X轴行程 X Stroke(mm)	100	150	200	250	300	350	400	450	500	550	600	650	700	750	800	850	900	950	1000	1050	
L	369	419	469	519	569	619	669	719	769	819	869	919	969	1019	1069	1119	1169	1219	1269	1319	
A	100	50	100	50	100	50	100	50	100	50	100	50	100	50	100	50	100	50	100	50	
N	8	10	10	12	12	14	14	16	16	18	18	20	20	22	22	24	24	26	26	28	
M	2	3	3	4	4	5	5	6	6	7	7	8	8	9	9	10	10	11	11	12	
最快速度 Max Speed(mm/s)	1000															900	800	700	600	500	400

Y轴行程 Y Stroke(mm)	100	150	200	250	300	350	400	450	500	550
H	472	522	572	622	672	722	772	822	872	922
最快速度 Max Speed(mm/s)	1000									

组合方向 Combination direction

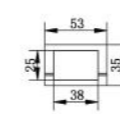


补充:最快速度表示该行程内可使用的安全速度,若超过此速度,滑台可能会发生严重抖动。
Supplement: The fastest speed means the safe speed that can be used in this trip. If the speed is exceeded, the sliding table may shake seriously.

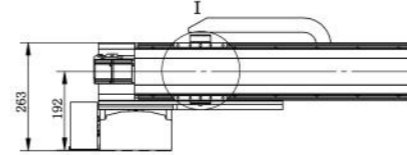
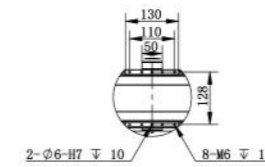


悬臂型-A2
Cantilever type -A2

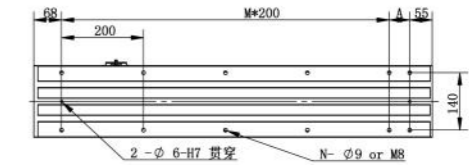
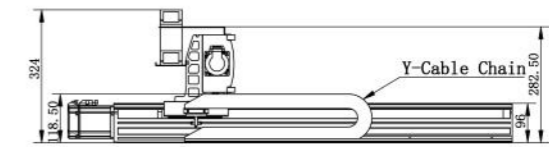
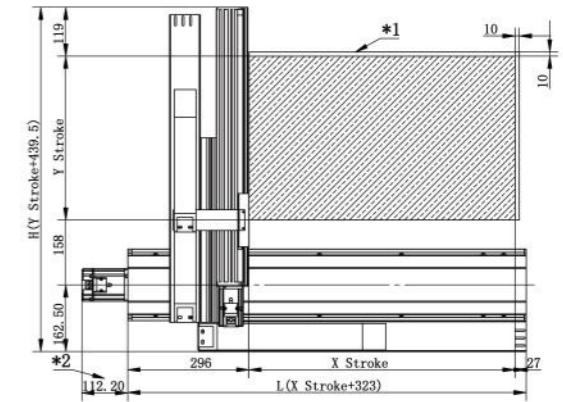
Y-Cable Chain



I-Drtail View



单位 Unit(mm)



*1: 原点回复时的移动范围及机械的停止位置。
The moving range of the origin and the stopping position of the machine.
*2: 电机长度根据实际情况而变动。
The length of the motor varies according to the actual situation.

多轴组合对应参数表
Multi-axis combination corresponding parameter table

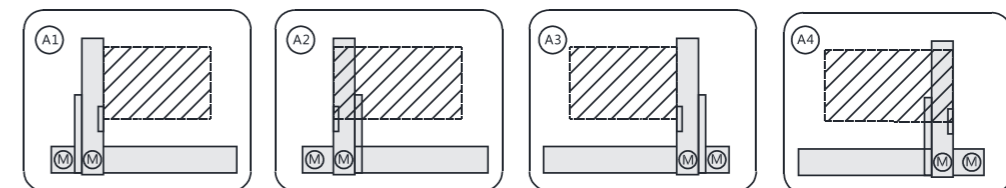
项目 Item	本体宽度 Ontology width (mm)		最大速度 Maximum speed (mm/s)		最大行程 Maximum stroke (mm)		建议马达功率 Motor power (W)		重复定位精度 Repeated positioning accuracy (mm)		最大负载 Maximum load (kg)
	X轴	Y轴	X轴	Y轴	X轴	Y轴	X轴	Y轴	X轴	Y轴	Y轴
参数 Parameter	140	120	1000	1000	1200	650	400	200	±0.02	±0.02	20

说明:Y轴行程越长,负载越小。
Description:the longer the Y-axis stroke, the smaller the load.

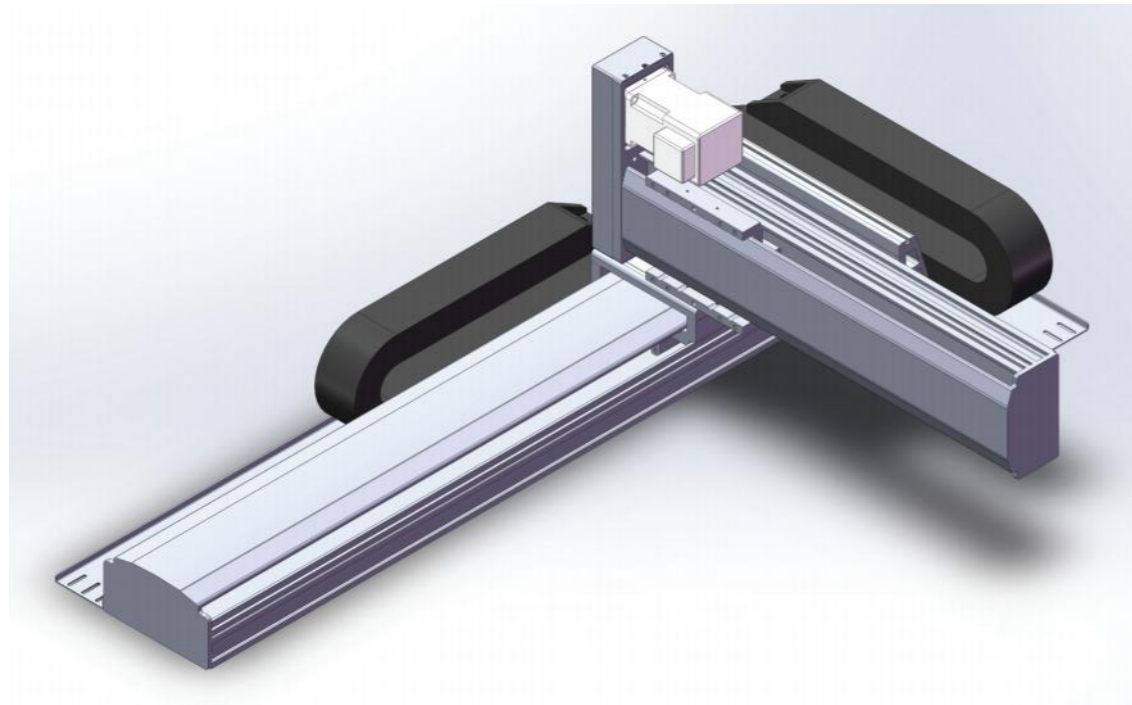
X轴行程 X Stroke(mm)	100	150	200	250	300	350	400	450	500	550	600	650	700	750	800	850	900	950	1000	1050	1100	1150	1200		
L	380	430	480	530	580	630	680	730	780	830	880	930	980	1030	1080	1130	1180	1230	1280	1330	1380	1430	1480		
A	100	150	200	50	100	150	200	50	100	150	200	50	100	150	200	50	100	150	200	50	100	150	200		
N	6	6	6	8	8	8	8	10	10	10	10	12	12	12	12	14	14	14	14	16	16	16	16		
M	1	1	1	2	2	2	2	3	3	3	3	4	4	4	4	5	5	5	5	6	6	6	6		
最快速度 Max Speed(mm/s)	1000																900	800	700	600	500	400	300	200	100

Y轴行程 Y Stroke(mm)	100	150	200	250	300	350	400	450	500	550	600	650
H	421	471	521	571	621	671	721	771	821	871	921	971
最快速度 Max Speed(mm/s)	1000											

组合方向 Combination direction

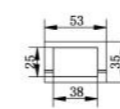


补充:最快速度表示该行程内可使用的安全速度,若超过此速度,滑台可能会发生严重抖动。
Supplement: The fastest speed means the safe speed that can be used in this trip. If the speed is exceeded, the sliding table may shake seriously.

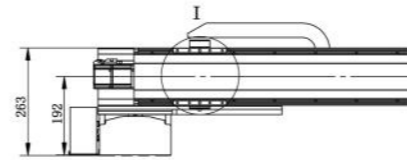
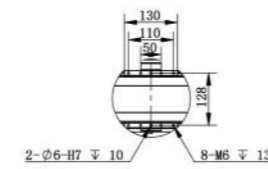


悬臂型-A2
Cantilever type -A2

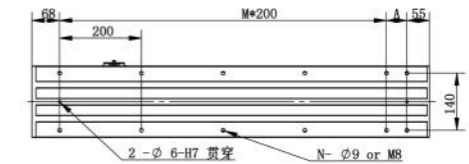
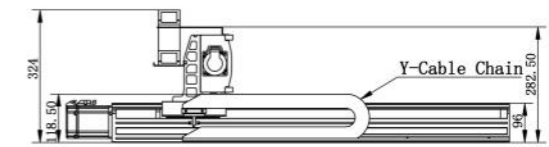
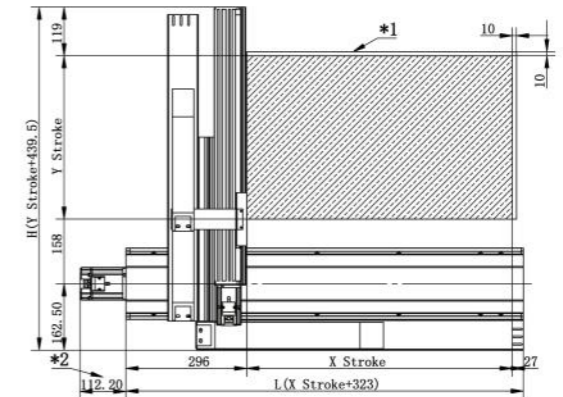
Y-Cable Chain



I-Drtail View



单位 Unit(mm)



*1: 原点回复时的移动范围及机械的停止位置。
The moving range of the origin and the stopping position of the machine.
*2: 电机长度根据实际情况而变动。
The length of the motor varies according to the actual situation.

多轴组合对应参数表
Multi-axis combination corresponding parameter table

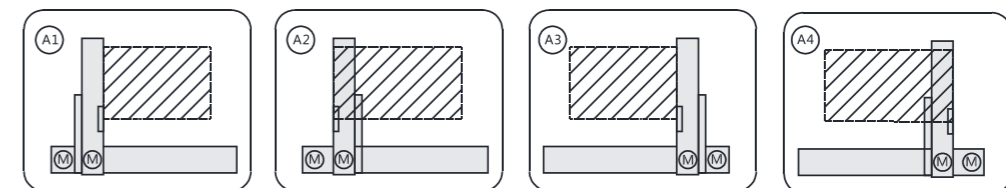
项目 Item	本体宽度 Ontology width (mm)		最大速度 Maximum speed (mm/S)		最大行程 Maximum stroke (mm)		建议马达功率 Motor power (W)		重复定位精度 Repeated positioning accuracy (mm)		最大负载 Maximum load (kg)
	X轴	Y轴	X轴	Y轴	X轴	Y轴	X轴	Y轴	X轴	Y轴	Y轴
参数 Parameter	175	140	1250	1000	1250	650	750	400	±0.02	±0.02	30

说明:Y轴行程越长,负载越小。
Description:the longer the Y-axis stroke, the smaller the load.

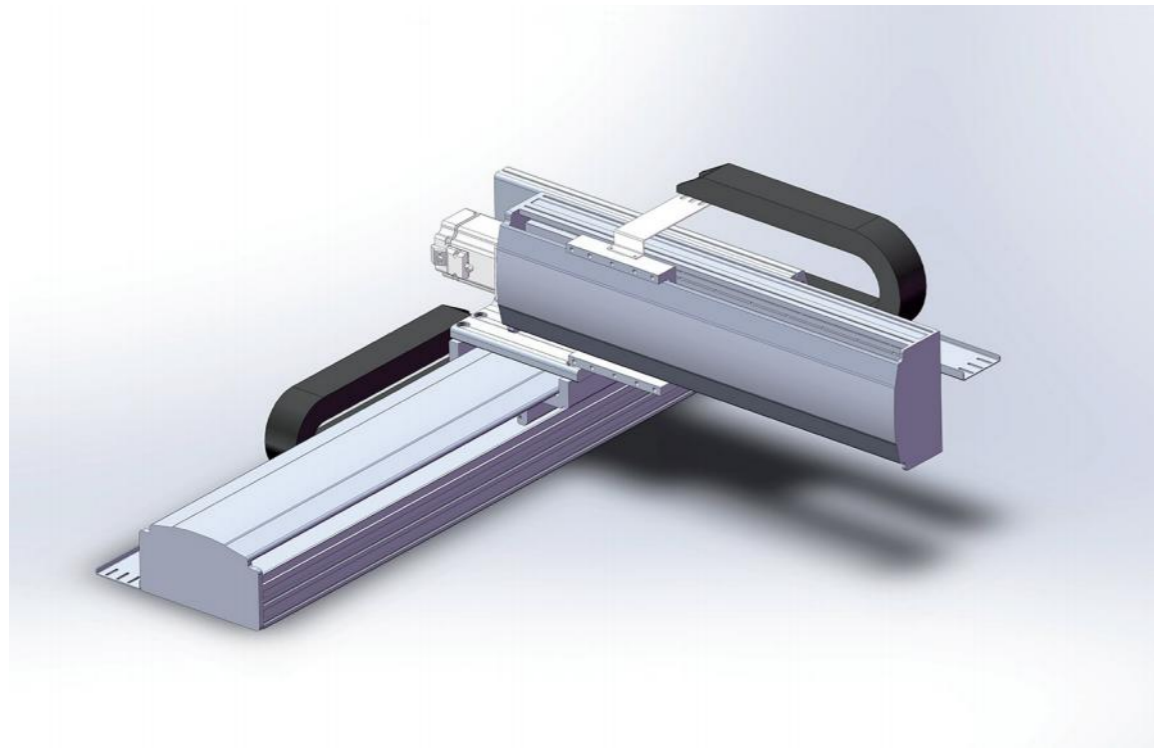
X轴行程 X Stroke(mm)	100	150	200	250	300	350	400	450	500	550	600	650	700	750	800	850	900	950	1000	1050	1100	1150	1200	1250
L	423	473	523	573	623	673	723	773	823	873	923	973	1023	1073	1123	1173	1223	1273	1323	1373	1423	1473	1523	1573
A	100	150	200	50	100	150	200	50	100	150	200	50	100	150	200	50	100	150	200	50	100	150	200	50
N	6	6	6	8	8	8	8	10	10	10	10	12	12	12	12	14	14	14	14	16	16	16	16	18
M	1	1	1	2	2	2	2	3	3	3	3	4	4	4	4	5	5	5	5	6	6	6	6	7
最快速度 Max Speed(mm/s)	1000																	900	800	700	600			

Y轴行程 Y Stroke(mm)	100	150	200	250	300	350	400	450	500	550	600	650
H	539.5	589.5	639.5	689.5	739.5	789.5	839.5	889.5	939.5	989.5	1039.5	1089.5
最快速度 Max Speed(mm/s)	1000											

组合方向 Combination direction

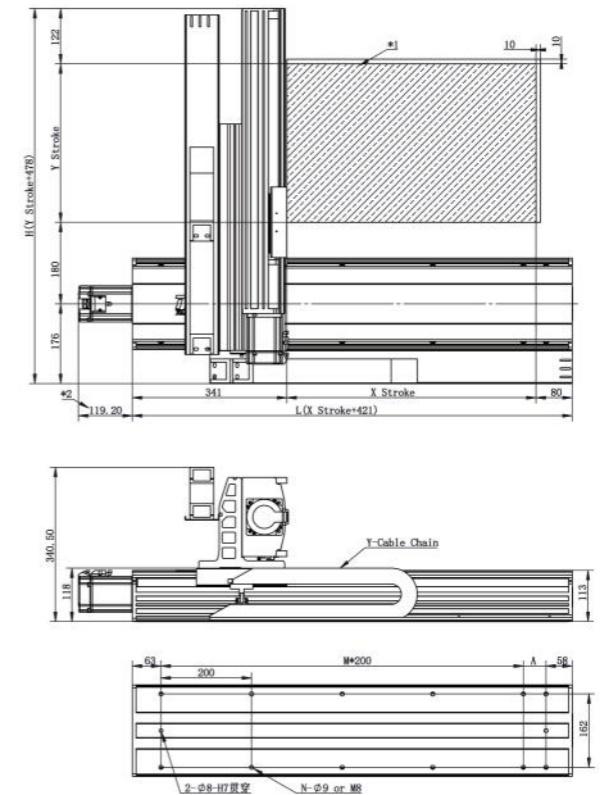
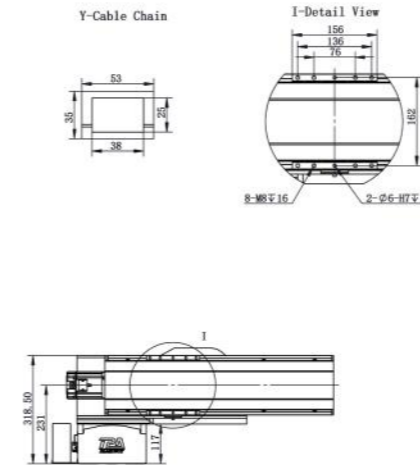


补充:最快速度表示该行程内可使用的安全速度,若超过此速度,滑台可能会发生严重抖动。
Supplement: The fastest speed means the safe speed that can be used in this trip. If the speed is exceeded, the sliding table may shake seriously.



悬臂型-A2
Cantilever type -A2

单位 Unit(mm)



*1: 原点回复时的移动范围及机械的停止位置。
The moving range of the origin and the stopping position of the machine.
*2: 电机长度根据实际情况而变动。
The length of the motor varies according to the actual situation.

多轴组合对应参数表
Multi-axis combination corresponding parameter table

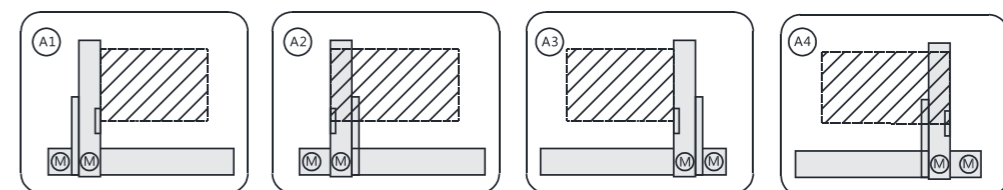
项目 Item	本体宽度 Ontology width (mm)		最大速度 Maximum speed (mm/s)		最大行程 Maximum stroke (mm)		建议马达功率 Motor power (W)		重复定位精度 Repeated positioning accuracy (mm)		最大负载 Maximum load (kg)
	X轴	Y轴	X轴	Y轴	X轴	Y轴	X轴	Y轴	X轴	Y轴	Y轴
参数 Parameter	202	175	1600	1250	1500	750	750	750	±0.02	±0.02	50

说明:Y轴行程越长,负载越小。
Description:the longer the Y-axis stroke, the smaller the load.

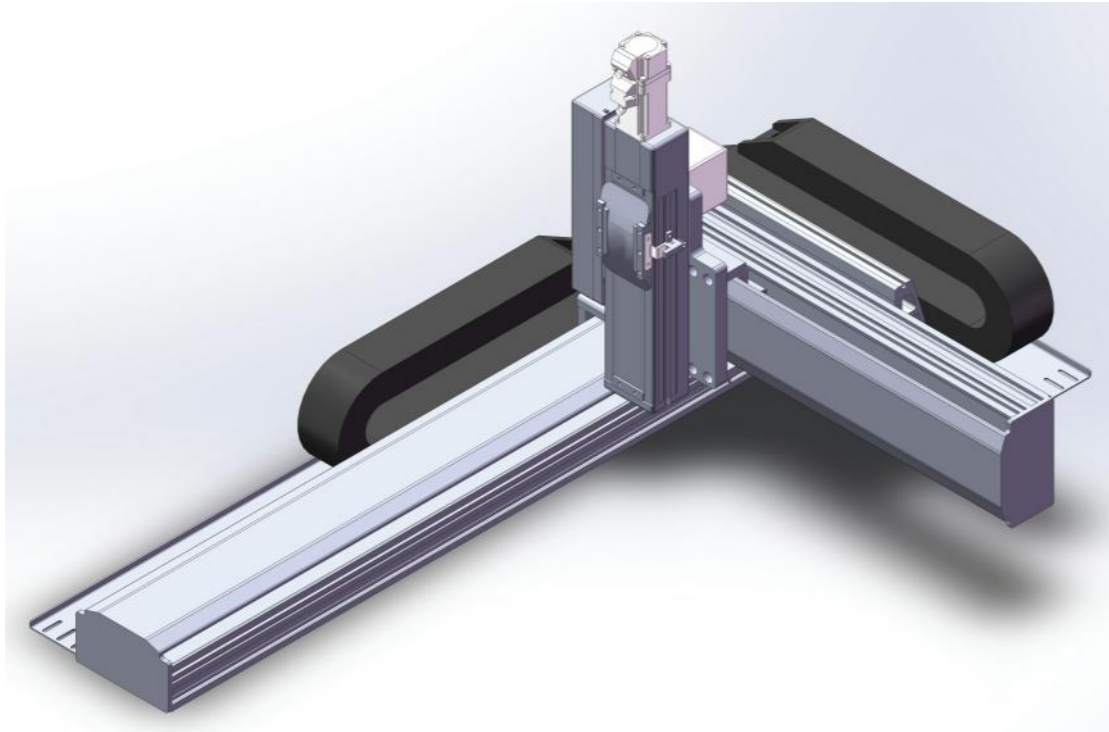
X轴行程 X Stroke (mm)	100	150	200	250	300	350	400	450	500	550	600	650	700	750	800	850	900	950	1000	1050	1100	1150	1200	1250	1300	1350	1400	1450	1500
L	521	571	621	671	721	771	821	871	921	971	1021	1071	1121	1171	1221	1271	1321	1371	1421	1471	1521	1571	1621	1671	1721	1771	1821	1871	1921
A	200	50	100	150	200	50	100	150	200	50	100	150	200	50	100	150	200	50	100	150	200	50	100	150	200	50	100	150	200
N	6	8	8	8	8	10	10	10	10	12	12	12	12	14	14	14	14	16	16	16	16	18	18	18	18	20	20	20	20
M	1	2	2	2	2	3	3	3	3	4	4	4	4	5	5	5	5	6	6	6	6	7	7	7	7	8	8	8	8
最快速度 Max Speed (mm/s)	1600																1500	1400	1200	1000	800	600							

Y轴行程 Y Stroke (mm)	100	150	200	250	300	350	400	450	500	550	600	650	700	750
H	578	628	678	728	778	828	878	928	978	1028	1078	1128	1178	1228
最快速度 Max Speed (mm/s)	1250													

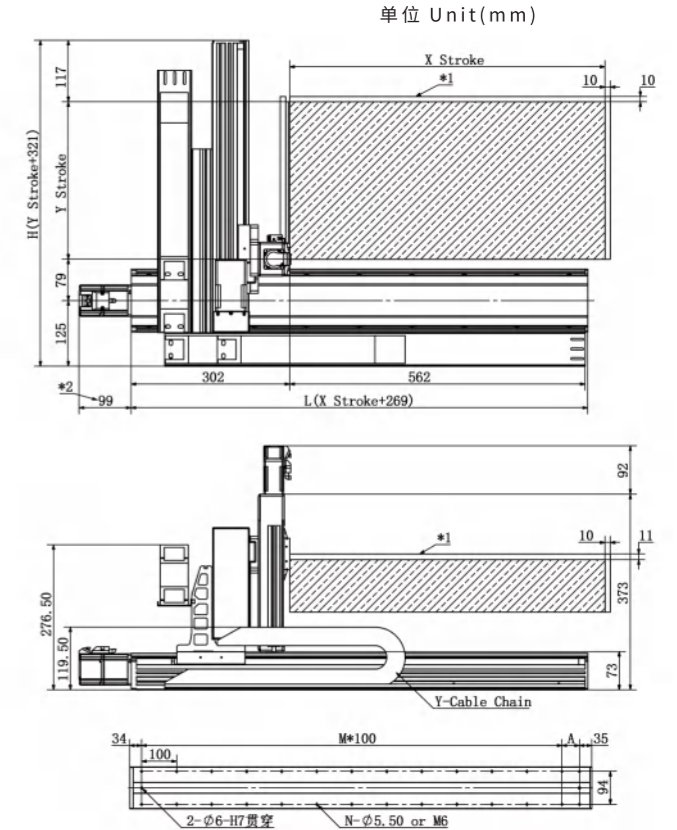
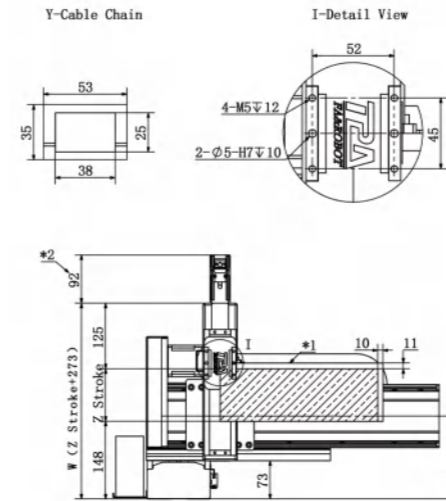
组合方向 Combination direction



补充: 最快速度表示该行程内可使用的安全速度,若超过此速度,滑台可能会发生严重抖动。
Supplement: The fastest speed means the safe speed that can be used in this trip. If the speed is exceeded, the sliding table may shake seriously.



悬臂型-A1
Cantilever type -A1



*1: 原点回复时的移动范围及机械的停止位置。
The moving range of the origin and the stopping position of the machine.
*2: 电机长度根据实际情况而变动。
The length of the motor varies according to the actual situation.

多轴组合对应参数表
Multi-axis combination corresponding parameter table

项目 Item	本体宽度 Ontology width (mm)			最大速度 Maximum speed (mm/s)			最大行程 Maximum stroke (mm)			建议马达功率 Motor power (W)			重复定位精度 Repeated positioning accuracy (mm)			最大负载 Maximum load (kg)
	X轴	Y轴	Z轴	X轴	Y轴	Z轴	X轴	Y轴	Z轴	X轴	Y轴	Z轴	X轴	Y轴	Z轴	
轴 Axis																Z轴
参数 Parameter	120	120	65	1000	1000	500	1050	450	250	200	200	100	±0.02			5

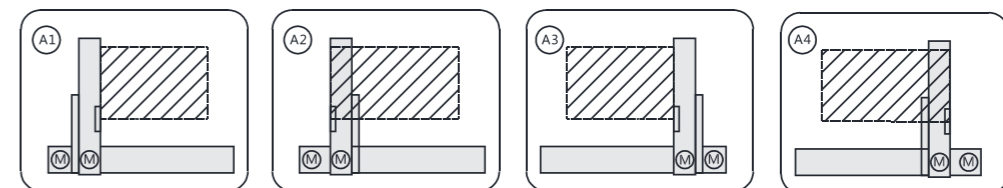
说明: Y轴行程越长, 负载越小。
Description: the longer the Y-axis stroke, the smaller the load.

X轴行程 X Stroke (mm)	100	150	200	250	300	350	400	450	500	550	600	650	700	750	800	850	900	950	1000	1050	
L	369	419	469	519	569	619	669	719	769	819	869	919	969	1019	1069	1119	1169	1219	1269	1319	
A	100	50	100	50	100	50	100	50	100	50	100	50	100	50	100	50	100	50	100	50	
N	8	10	10	12	12	14	14	16	16	18	18	20	22	22	24	24	26	26	28	28	
M	2	3	3	4	4	5	5	6	6	7	7	8	8	9	9	10	10	11	11	12	
最快速度 Max Speed (mm/s)	1000															720	640	560	480	400	320

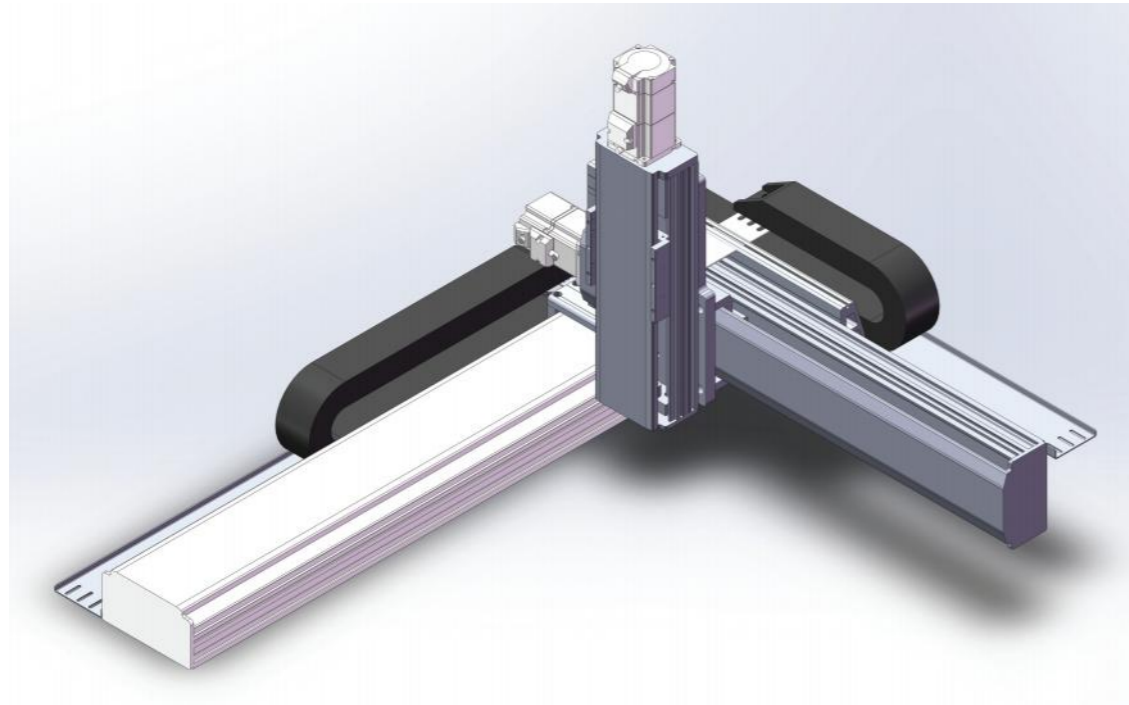
Y轴行程 Y Stroke (mm)	100	150	200	250	300	350	400	450	500	550	600	650
H	421	471	521	571	621	671	721	771	821	871	921	971
最快速度 Max Speed (mm/s)	1000											

Z轴行程 Z Stroke (mm)	100	150	200	250
W	373	423	473	523
最快速度 Max Speed (mm/s)	500			

组合方向 Combination direction

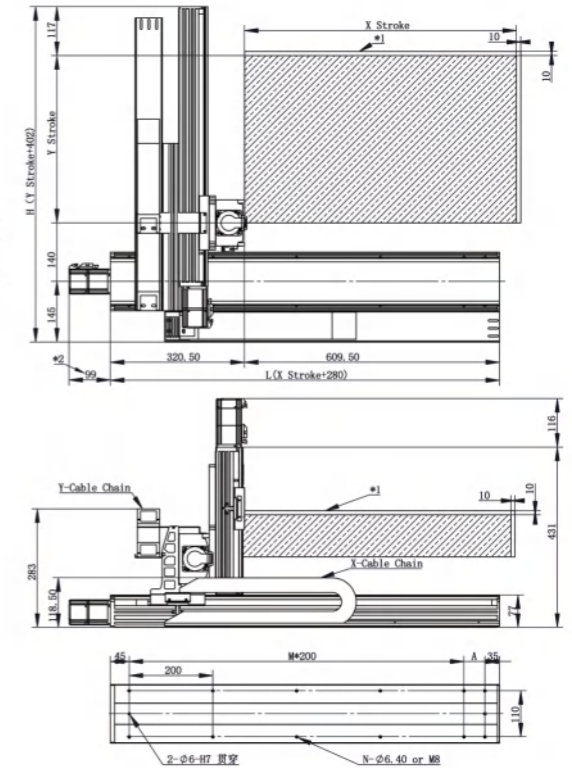
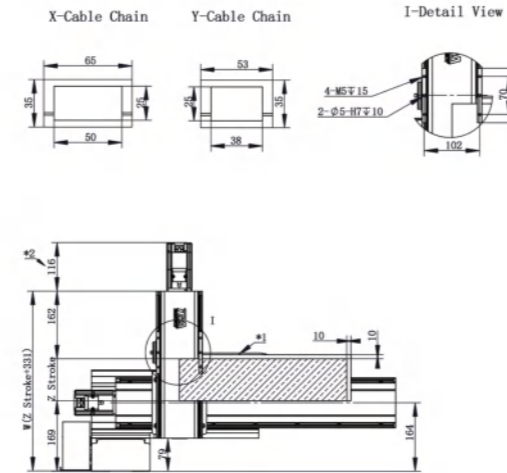


补充: 最快速度表示该行程内可使用的安全速度, 若超过此速度, 滑台可能会发生严重抖动。
Supplement: The fastest speed means the safe speed that can be used in this trip. If the speed is exceeded, the sliding table may shake seriously.



悬臂型-A1
Cantilever type -A1

单位 Unit(mm)



*1: 原点回复时的移动范围及机械的停止位置。
The moving range of the origin and the stopping position of the machine.
*2: 电机长度根据实际情况而变动。
The length of the motor varies according to the actual situation.

多轴组合对应参数表
Multi-axis combination corresponding parameter table

项目 Item	本体宽度 Ontology width (mm)			最大速度 Maximum speed (mm/s)			最大行程 Maximum stroke (mm)			建议马达功率 Motor power (W)			重复定位精度 Repeated positioning accuracy (mm)			最大负载 Maximum load (kg)
	X轴	Y轴	Z轴	X轴	Y轴	Z轴	X轴	Y轴	Z轴	X轴	Y轴	Z轴	X轴	Y轴	Z轴	
轴 Axis	X轴	Y轴	Z轴	X轴	Y轴	Z轴	X轴	Y轴	Z轴	X轴	Y轴	Z轴	X轴	Y轴	Z轴	Z轴
参数 Parameter	140	120	110	1000	1000	1000	1050	650	300	400	200	200	±0.02			10

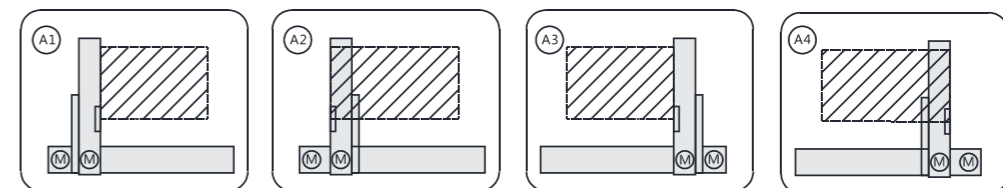
说明:Y轴行程越长,负载越小。
Description:the longer the Y-axis stroke, the smaller the load.

X轴行程 X Stroke(mm)	100	150	200	250	300	350	400	450	500	550	600	650	700	750	800	850	900	950	1000	1050	
L	380	430	480	530	580	630	680	730	780	830	880	930	980	1030	1080	1130	1180	1230	1280	1330	
A	100	150	200	50	100	150	200	50	100	150	200	50	100	150	200	50	100	150	200	50	
N	6	6	6	8	8	8	8	10	10	10	10	12	12	12	12	14	14	14	14	16	
M	1	1	1	2	2	2	2	3	3	3	3	4	4	4	4	5	5	5	5	6	
最快速度 Max Speed(mm/s)	1000															900	800	700	600	500	400

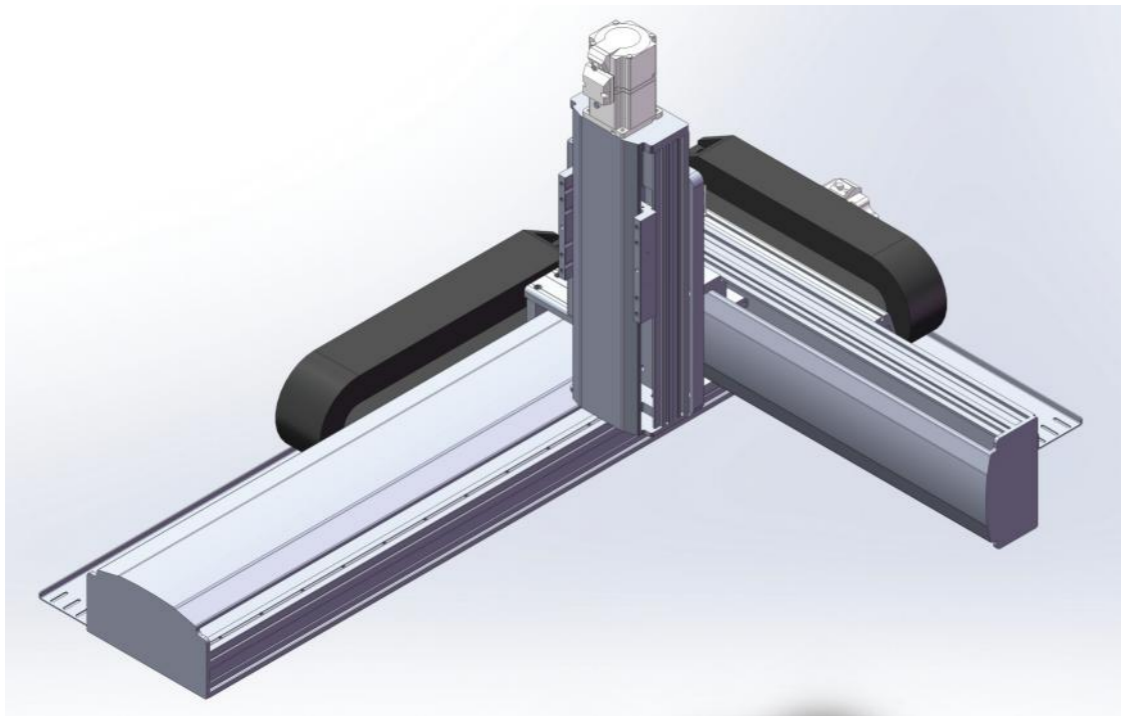
Z轴行程 Z Stroke(mm)	100	150	200	250	300	350	400	450	500
H	502	552	602	652	702	752	802	852	902
最快速度 Max Speed(mm/s)	1000								

Y轴行程 Y Stroke(mm)	100	150	200	250	300
W	481	431	531	581	631
最快速度 Max Speed(mm/s)	1000				

组合方向 Combination direction

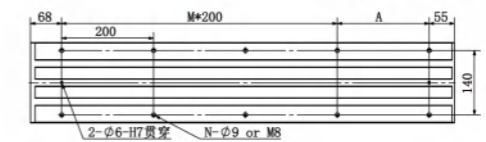
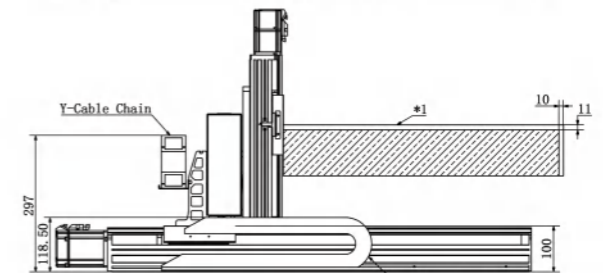
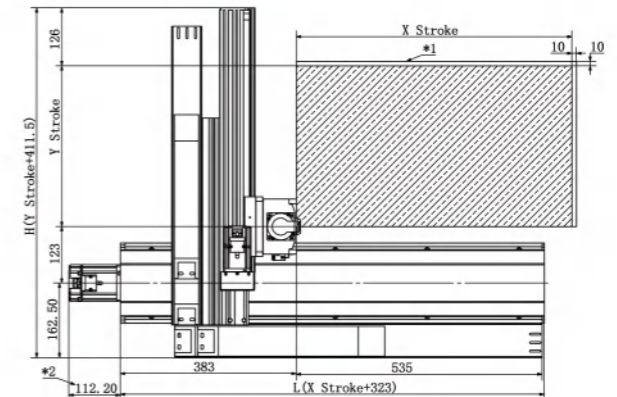
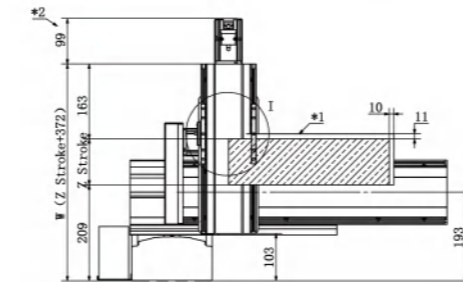
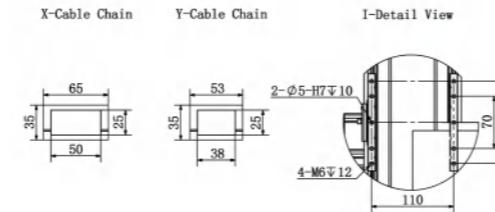


补充:最快速度表示该行程内可使用的安全速度,若超过此速度,滑台可能会发生严重抖动。
Supplement: The fastest speed means the safe speed that can be used in this trip. If the speed is exceeded, the sliding table may shake seriously.



悬臂型-A1
Cantilever type -A1

单位 Unit(mm)



*1: 原点回复时的移动范围及机械的停止位置。
The moving range of the origin and the stopping position of the machine.
*2: 电机长度根据实际情况而变动。
The length of the motor varies according to the actual situation.

多轴组合对应参数表
Multi-axis combination corresponding parameter table

项目 Item	本体宽度 Ontology width (mm)			最大速度 Maximum speed (mm/s)			最大行程 Maximum stroke (mm)			建议马达功率 Motor power (W)			重复定位精度 Repeated positioning accuracy (mm)			最大负载 Maximum load (kg)
	X轴	Y轴	Z轴	X轴	Y轴	Z轴	X轴	Y轴	Z轴	X轴	Y轴	Z轴	X轴	Y轴	Z轴	
轴 Axis	X轴	Y轴	Z轴	X轴	Y轴	Z轴	X轴	Y轴	Z轴	X轴	Y轴	Z轴	X轴	Y轴	Z轴	Z轴
参数 Parameter	175	140	120	1250	1000	1000	1450	500	300	750	400	200	±0.02			14

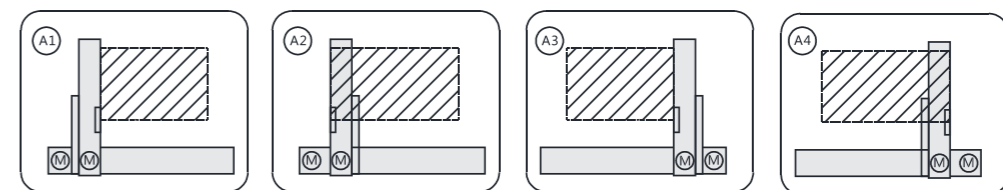
说明:Y轴行程越长,负载越小。
Description:the longer the Y-axis stroke, the smaller the load.

X轴行程 X Stroke(mm)	100	150	200	250	300	350	400	450	500	550	600	650	700	750	800	850	900	950	1000	1050	1100	1150	1200	1250	1300	1350	1400	1450
L	423	473	523	573	623	673	723	773	823	873	923	973	1023	1073	1123	1173	1223	1273	1323	1373	1423	1473	1523	1573	1623	1673	1723	1773
A	100	150	200	50	100	150	200	50	100	150	200	50	100	150	200	50	100	150	200	50	100	150	200	50	100	150	200	50
N	6	6	6	8	8	8	8	10	10	10	10	12	12	12	12	14	14	14	14	16	16	16	16	18	18	18	18	20
M	1	1	1	2	2	2	2	3	3	3	3	4	4	4	4	5	5	5	5	6	6	6	6	7	7	7	7	8
最快速度 Max Speed(mm/s)	1250																		1000	800	650	500	350	200				

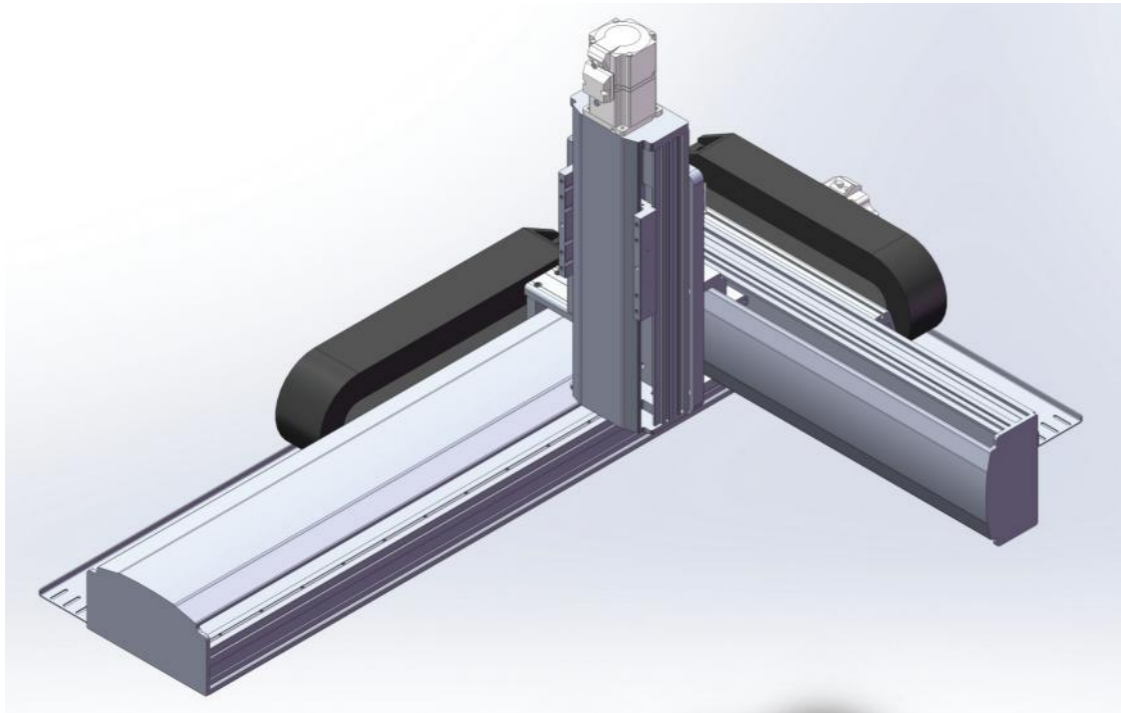
Y轴行程 Y Stroke(mm)	100	150	200	250	300	350	400	450	500
H	512	562	714	764	815	865	613	663	916
最快速度 Max Speed(mm/s)	1000								

Z轴行程 Z Stroke(mm)	100	150	200	250	300
W	472	522	572	622	672
最快速度 Max Speed(mm/s)	1000				

组合方向 Combination direction

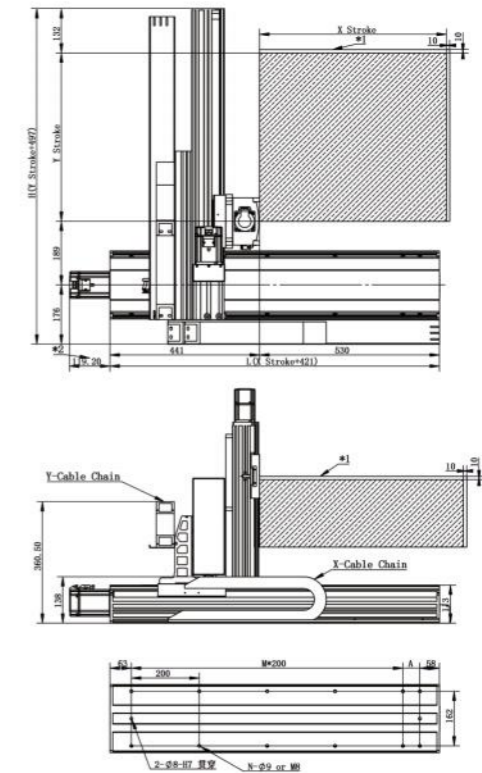
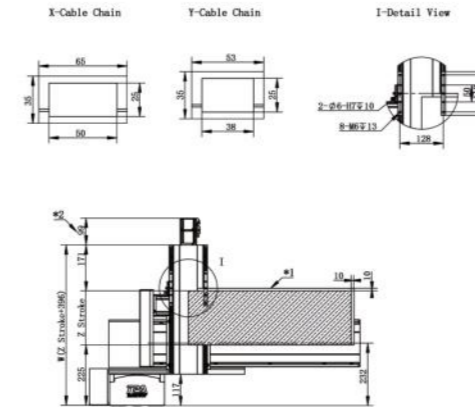


补充:最快速度表示该行程内可使用的安全速度,若超过此速度,滑台可能会发生严重抖动。
Supplement: The fastest speed means the safe speed that can be used in this trip. If the speed is exceeded, the sliding table may shake seriously.



悬臂型-A1
Cantilever type -A1

单位 Unit(mm)



*1: 原点回复时的移动范围及机械的停止位置。
The moving range of the origin and the stopping position of the machine.
*2: 电机长度根据实际情况而变动。
The length of the motor varies according to the actual situation.

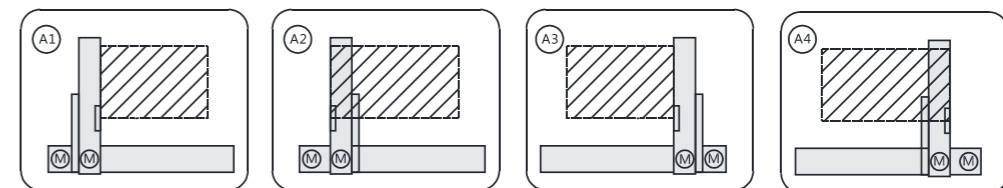
多轴组合对应参数表
Multi-axis combination corresponding parameter table

项目 Item	本体宽度 Ontology width (mm)			最大速度 Maximum speed (mm/s)			最大行程 Maximum stroke (mm)			建议马达功率 Motor power (W)			重复定位精度 Repeated positioning accuracy (mm)			最大负载 Maximum load (kg)
	X轴	Y轴	Z轴	X轴	Y轴	Z轴	X轴	Y轴	Z轴	X轴	Y轴	Z轴	X轴	Y轴	Z轴	Z轴
参数 Parameter	202	175	140	1600	1250	1000	1500	750	550	750	750	400	±0.02			23

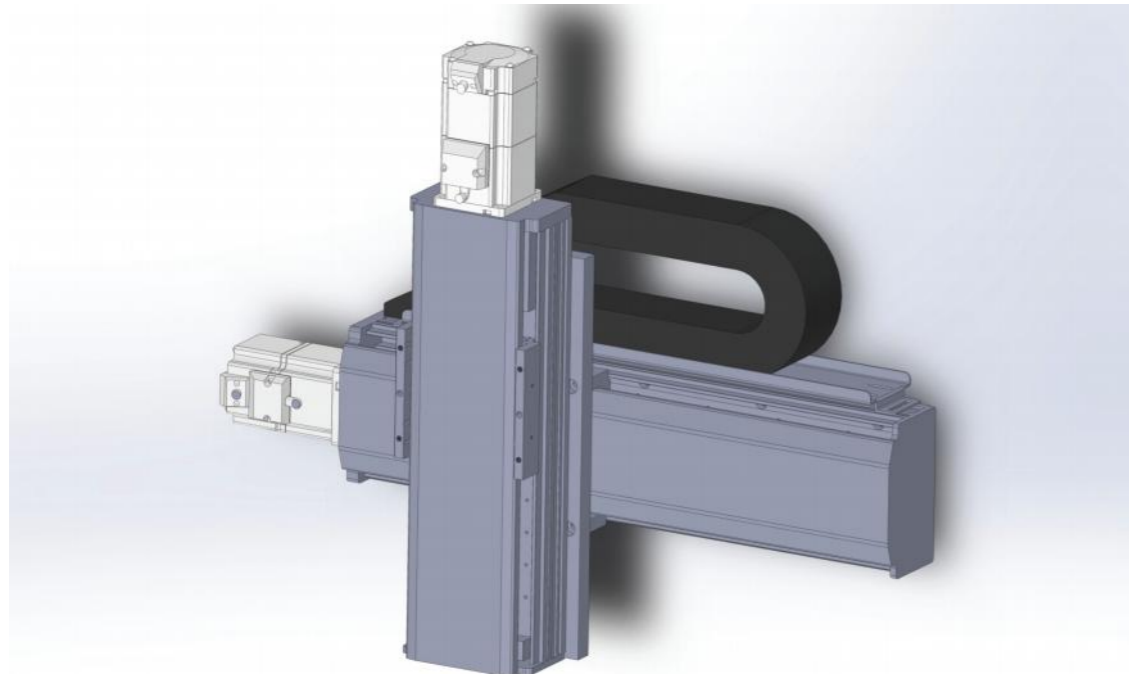
说明:Y轴行程越长,负载越小。
Description:the longer the Y-axis stroke, the smaller the load.

X轴行程 X Stroke(mm)	100	150	200	250	300	350	400	450	500	550	600	650	700	750	800	850	900	950	1000	1050	1100	1150	1200	1250	1300	1350	1400	1450	1500
L	521	571	621	671	721	771	821	871	921	971	1021	1071	1121	1171	1221	1271	1321	1371	1421	1471	1521	1571	1621	1671	1721	1771	1821	1871	1921
A	200	50	100	150	200	50	100	150	200	50	100	150	200	50	100	150	200	50	100	150	200	50	100	150	200	50	100	150	200
N	6	8	8	8	8	10	10	10	10	12	12	12	12	14	14	14	14	16	16	16	16	18	18	18	18	20	20	20	20
M	1	2	2	2	2	3	3	3	3	4	4	4	4	5	5	5	5	6	6	6	6	7	7	7	7	8	8	8	8
最快速度 Max Speed(mm/s)	1600																		1500	1400	1200	1000	800	600					
Z轴行程 Z Stroke(mm)	100	150	200	250	300	350	400	450	500	550																			
W	496	546	596	646	696	746	796	846	896	946																			
最快速度 Max Speed(mm/s)	1000																												
Y轴行程 Y Stroke(mm)	100	150	200	250	300	350	400	450	500	550	600	650	700	750															
H	597	647	697	747	797	847	897	947	997	1047	1097	1147	1197	1247															
最快速度 Max Speed(mm/s)	1000																												

组合方向 Combination direction

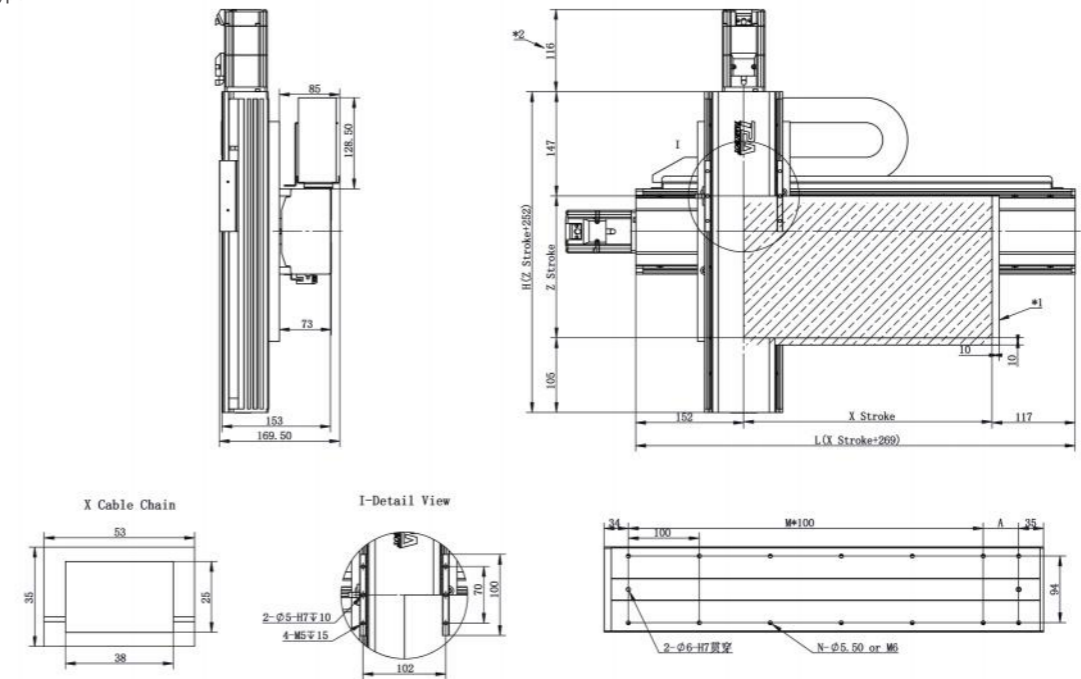


补充:最快速度表示该行程内可使用的安全速度,若超过此速度,滑台可能会发生严重抖动。
Supplement: The fastest speed means the safe speed that can be used in this trip. If the speed is exceeded, the sliding table may shake seriously.



十字型-F1
Cross type -F1

单位 Unit(mm)



*1: 原点回复时的移动范围及机械的停止位置。
The moving range of the origin and the stopping position of the machine.
*2: 电机长度根据实际情况而变动。
The length of the motor varies according to the actual situation.

多轴组合对应参数表
Multi-axis combination corresponding parameter table

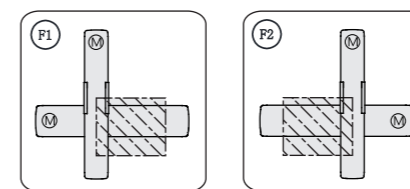
项目 Item	本体宽度 Ontology width (mm)		最大速度 Maximum speed (mm/s)		最大行程 Maximum stroke (mm)		建议马达功率 Motor power (W)		重复定位精度 Repeated positioning accuracy (mm)		最大负载 Maximum load (kg)
	X轴	Z轴	X轴	Z轴	X轴	Z轴	X轴	Z轴	X轴	Z轴	Z轴
参数 Parameter	120	110	1000	1000	1050	350	200	200	±0.02	±0.02	8

说明:Y轴行程越长,负载越小。
Description:the longer the Y-axis stroke, the smaller the load.

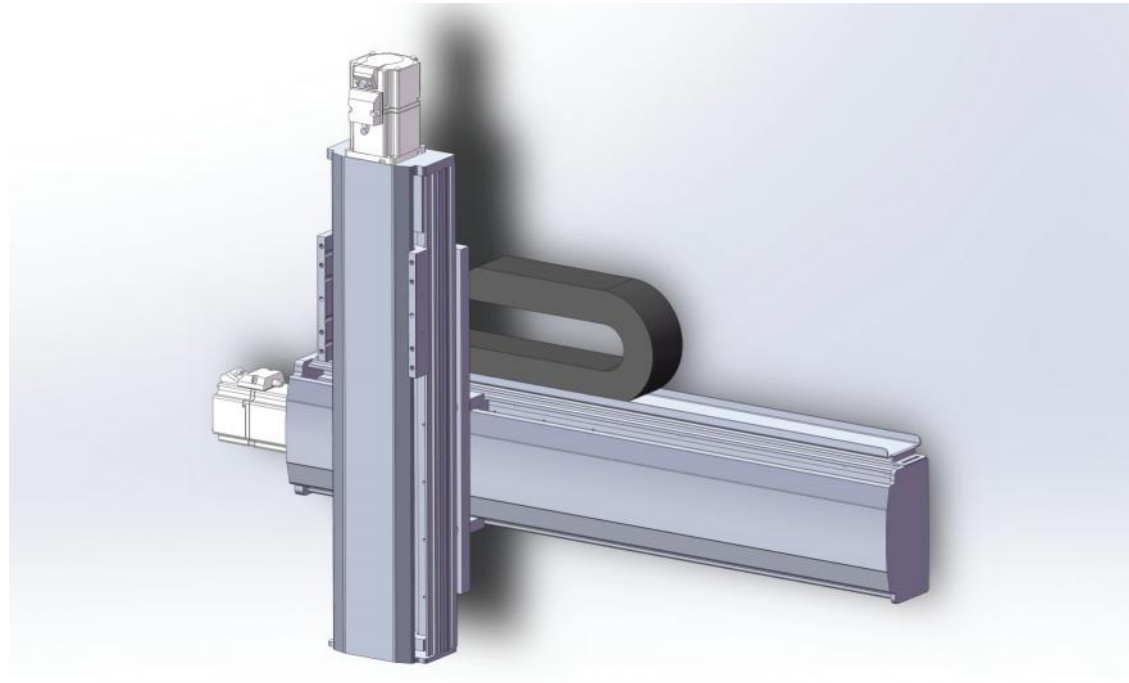
X轴行程 X Stroke(mm)	100	150	200	250	300	350	400	450	500	550	600	650	700	750	800	850	900	950	1000	1050		
L	369	419	469	519	569	619	669	719	769	819	869	919	969	1019	1069	1119	1169	1219	1269	1319		
A	100	50	100	50	100	50	100	50	100	50	100	50	100	50	100	50	100	50	100	50		
N	8	10	10	12	12	14	14	16	16	18	18	20	20	22	22	24	24	26	26	28		
M	2	3	3	4	4	5	5	6	6	7	7	8	8	9	9	10	10	11	11	12		
最快速度 Max Speed(mm/s)	1000																900	800	700	600	500	400

Z轴行程 Z Stroke(mm)	100	150	200	250	300	350
H	352	402	452	502	552	602
最快速度 Max Speed(mm/s)	1000					

组合方向 Combination direction

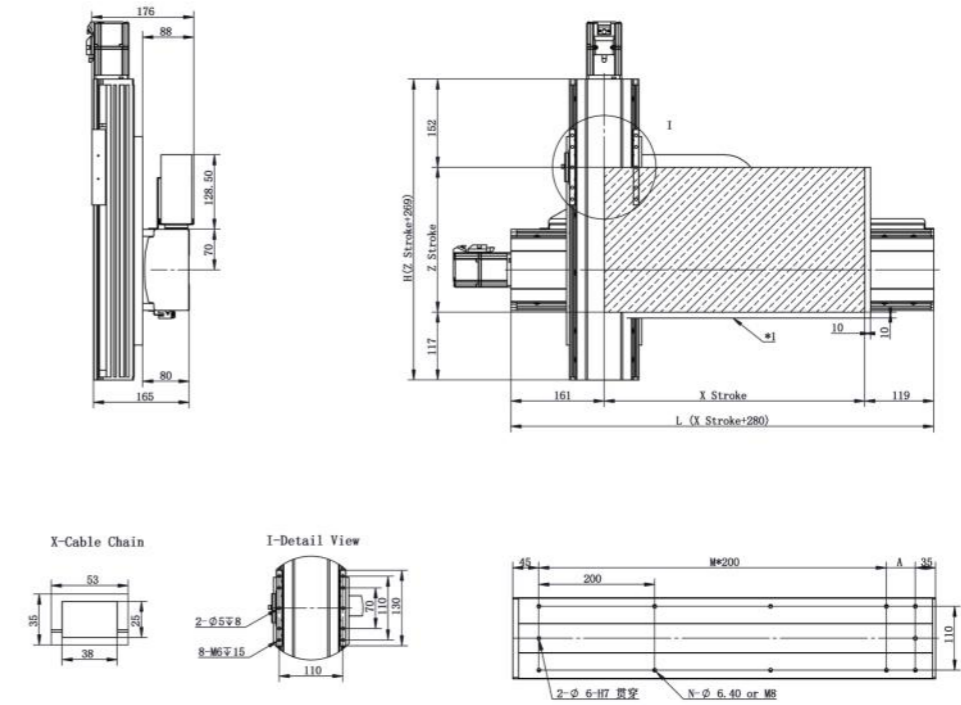


补充:最快速度表示该行程内可使用的安全速度,若超过此速度,滑台可能会发生严重抖动。
Supplement: The fastest speed means the safe speed that can be used in this trip. If the speed is exceeded, the sliding table may shake seriously.



十字型-F1
Cross type -F1

单位 Unit(mm)



*1: 原点回复时的移动范围及机械的停止位置。
The moving range of the origin and the stopping position of the machine.
*2: 电机长度根据实际情况而变动。
The length of the motor varies according to the actual situation.

多轴组合对应参数表
Multi-axis combination corresponding parameter table

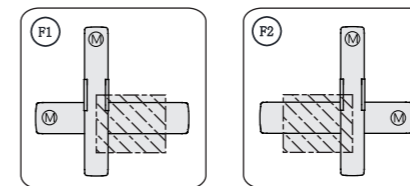
项目 Item	本体宽度 Ontology width (mm)		最大速度 Maximum speed (mm/s)		最大行程 Maximum stroke (mm)		建议马达功率 Motor power (W)		重复定位精度 Repeated positioning accuracy (mm)		最大负载 Maximum load (kg)
	X轴	Z轴	X轴	Z轴	X轴	Z轴	X轴	Z轴	X轴	Z轴	Z轴
参数 Parameter	140	120	1000	1000	1050	350	400	200	±0.02	±0.02	15

说明: Y轴行程越长, 负载越小。
Description: the longer the Y-axis stroke, the smaller the load.

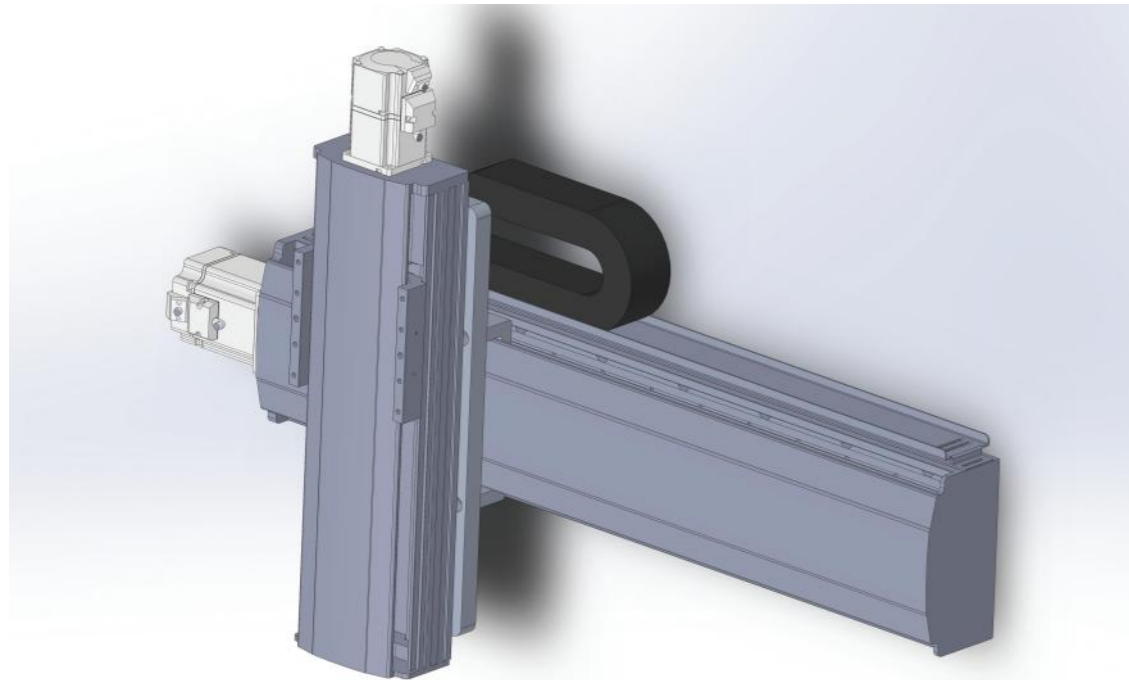
X轴行程 X Stroke (mm)	100	150	200	250	300	350	400	450	500	550	600	650	700	750	800	850	900	950	1000	1050	
L	380	430	480	530	580	630	680	730	780	830	880	930	980	1030	1080	1130	1180	1230	1280	1330	
A	100	150	200	50	100	150	200	50	100	150	200	50	100	150	200	50	100	150	200	50	
N	6	6	6	8	8	8	8	10	10	10	10	12	12	12	12	14	14	14	14	16	
M	2	2	2	3	3	3	3	4	4	4	4	5	5	5	5	6	6	6	6	7	
最快速度 Max Speed (mm/s)	1000															900	800	700	600	500	400

Z轴行程 Z Stroke (mm)	100	150	200	250	300	350
H	369	419	469	519	569	619
最快速度 Max Speed (mm/s)	1000					

组合方向 Combination direction

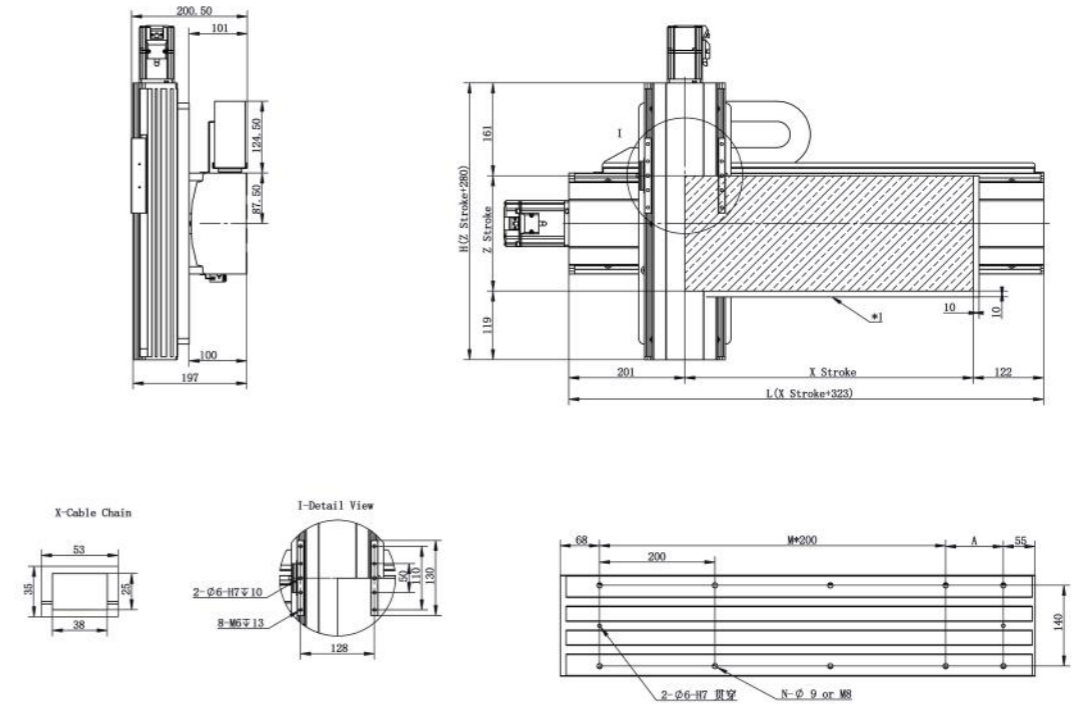


补充: 最快速度表示该行程内可使用的安全速度, 若超过此速度, 滑台可能会发生严重抖动。
Supplement: The fastest speed means the safe speed that can be used in this trip. If the speed is exceeded, the sliding table may shake seriously.



十字型-F1
Cross type -F1

单位 Unit(mm)



*1: 原点回复时的移动范围及机械的停止位置。
The moving range of the origin and the stopping position of the machine.

*2: 电机长度根据实际情况而变动。
The length of the motor varies according to the actual situation.

多轴组合对应参数表
Multi-axis combination corresponding parameter table

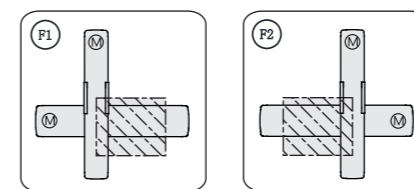
项目 Item	本体宽度 Ontology width (mm)		最大速度 Maximum speed (mm/s)		最大行程 Maximum stroke (mm)		建议马达功率 Motor power (W)		重复定位精度 Repeated positioning accuracy (mm)		最大负载 Maximum load (kg)
	X轴	Z轴	X轴	Z轴	X轴	Z轴	X轴	Z轴	X轴	Z轴	Z轴
参数 Parameter	175	140	1250	1000	1250	550	750	400	±0.02	±0.02	22

说明: Y轴行程越长, 负载越小。
Description: the longer the Y-axis stroke, the smaller the load.

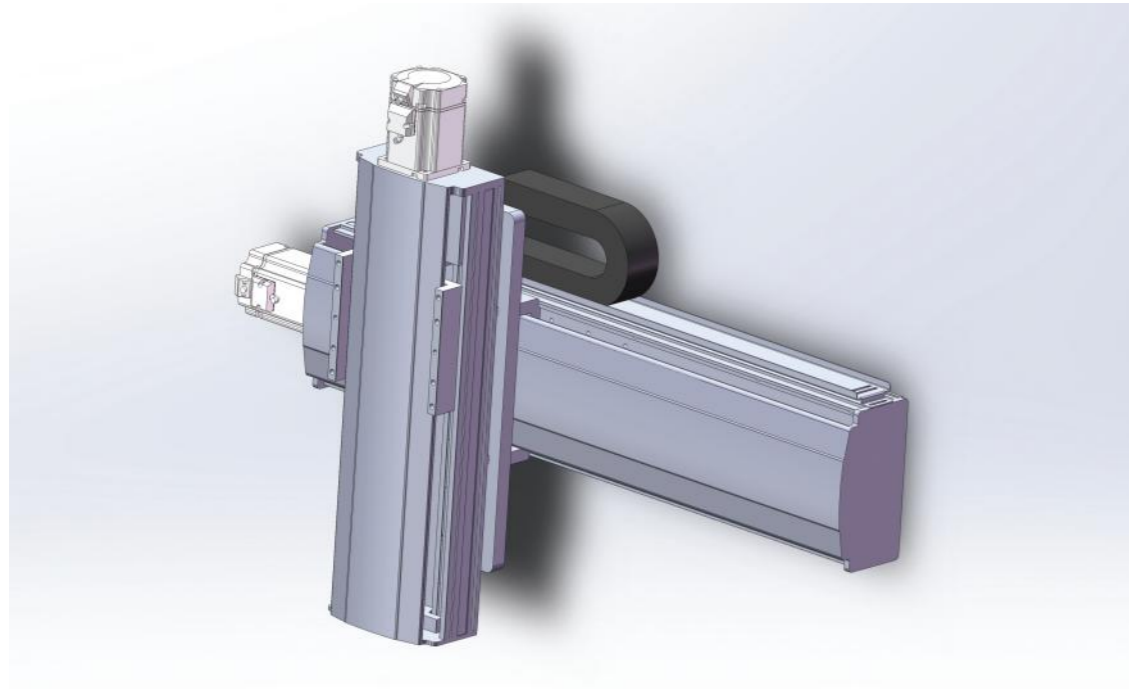
X轴行程 X Stroke (mm)	100	150	200	250	300	350	400	450	500	550	600	650	700	750	800	850	900	950	1000	1050	1100	1150	1200	1250
L	423	473	523	573	623	673	723	773	823	873	923	973	1023	1073	1123	1173	1223	1273	1323	1373	1423	1473	1523	1573
A	100	150	200	50	100	150	200	50	100	150	200	50	100	150	200	50	100	150	200	50	100	150	200	50
N	6	6	6	8	8	8	8	10	10	10	10	12	12	12	12	14	14	14	14	16	16	16	16	18
M	1	1	1	2	2	2	2	3	3	3	3	4	4	4	4	5	5	5	5	6	6	6	6	7
最快速度 Max Speed (mm/s)	1250																1100	1000	900	800	700			

Z轴行程 Z Stroke (mm)	100	150	200	250	300	350	400	450	500	550
H	380	430	480	530	580	630	680	730	780	830
最快速度 Max Speed (mm/s)	1000									

组合方向 Combination direction

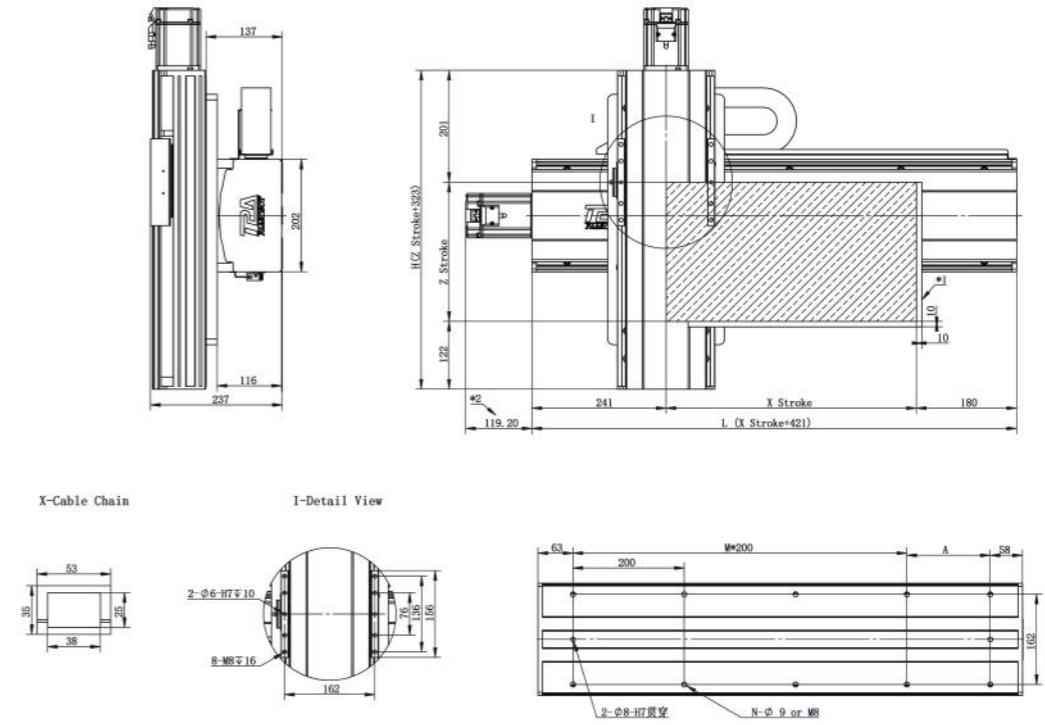


补充: 最快速度表示该行程内可使用的安全速度, 若超过此速度, 滑台可能会发生严重抖动。
Supplement: The fastest speed means the safe speed that can be used in this trip. If the speed is exceeded, the sliding table may shake seriously.



十字型-F1
Cross type -F1

单位 Unit(mm)



*1: 原点回复时的移动范围及机械的停止位置。
The moving range of the origin and the stopping position of the machine.
*2: 电机长度根据实际情况而变动。
The length of the motor varies according to the actual situation.

多轴组合对应参数表
Multi-axis combination corresponding parameter table

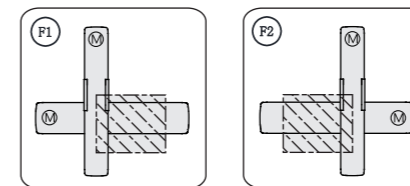
项目 Item	本体宽度 Ontology width (mm)		最大速度 Maximum speed (mm/s)		最大行程 Maximum stroke (mm)		建议马达功率 Motor power (W)		重复定位精度 Repeated positioning accuracy (mm)		最大负载 Maximum load (kg)
	X轴	Z轴	X轴	Z轴	X轴	Z轴	X轴	Z轴	X轴	Z轴	Z轴
参数 Parameter	202	175	1600	1250	1450	650	750	750	±0.02	±0.02	30

说明: Y轴行程越长, 负载越小。
Description: the longer the Y-axis stroke, the smaller the load.

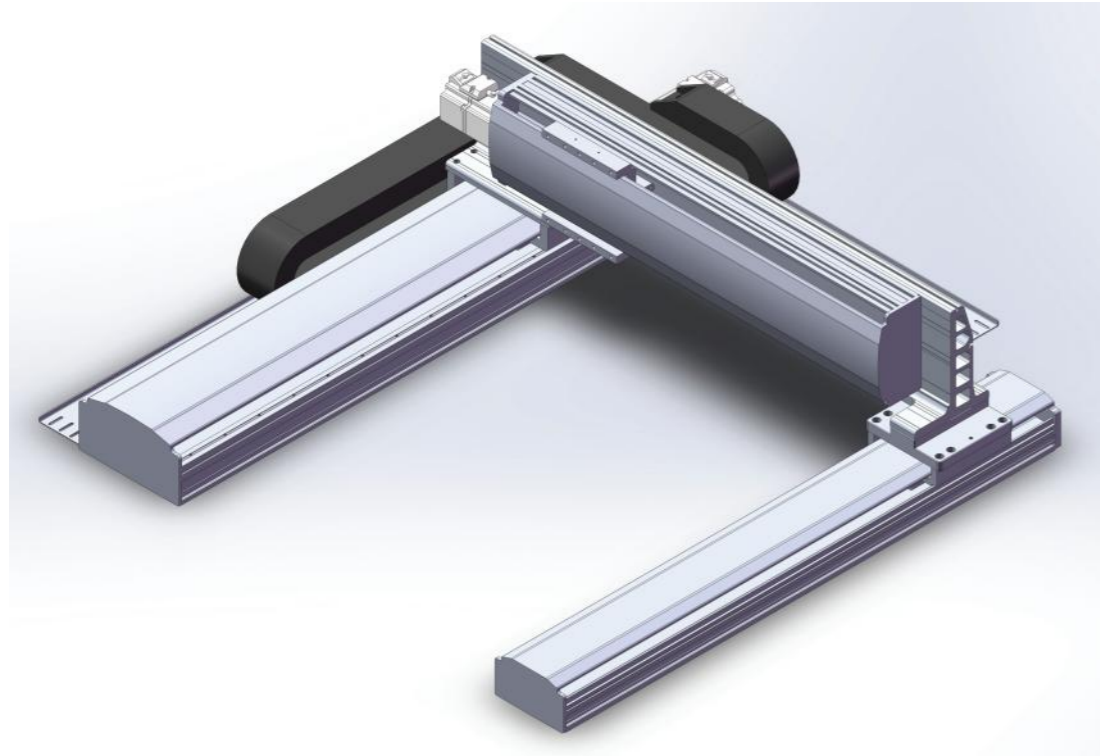
X轴行程 X Stroke(mm)	100	150	200	250	300	350	400	450	500	550	600	650	700	750	800	850	900	950	1000	1050	1100	1150	1200	1250	1300	1350	1400	1450
L	521	571	621	671	721	771	821	871	921	971	1021	1071	1121	1171	1221	1271	1321	1371	1421	1471	1521	1571	1621	1671	1721	1771	1821	1871
A	200	50	100	150	200	50	100	150	200	50	100	150	200	50	100	150	200	50	100	150	200	50	100	150	200	50	100	150
N	6	8	8	8	8	10	10	10	10	12	12	12	12	14	14	14	14	16	16	16	16	18	18	18	18	20	20	20
M	1	2	2	2	2	3	3	3	3	4	4	4	4	5	5	5	5	6	6	6	6	7	7	7	7	8	8	8
最快速度 Max Speed(mm/s)	1600										1500	1400	1300	1150	1000	850	700	550	400									

Z轴行程 Z Stroke(mm)	100	150	200	250	300	350	400	450	500	550	600	650
H	423	473	523	573	623	673	723	773	823	873	923	973
最快速度 Max Speed(mm/s)	1250											

组合方向 Combination direction

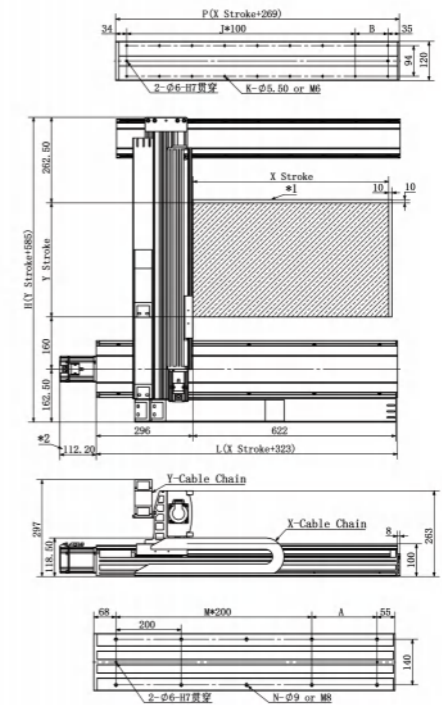
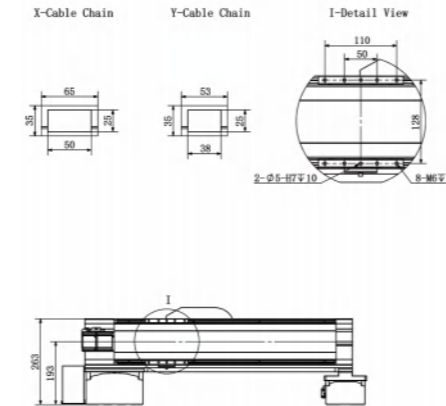


补充: 最快速度表示该行程内可使用的安全速度, 若超过此速度, 滑台可能会发生严重抖动。
Supplement: The fastest speed means the safe speed that can be used in this trip. If the speed is exceeded, the sliding table may shake seriously.



龙门型-G2
Gantry type -G2

单位 Unit(mm)



*1: 原点回复时的移动范围及机械的停止位置。
The moving range of the origin and the stopping position of the machine.
*2: 电机长度根据实际情况而变动。
The length of the motor varies according to the actual situation.

多轴组合对应参数表
Multi-axis combination corresponding parameter table

项目 Item	本体宽度 Ontology width (mm)		最大速度 Maximum speed (mm/s)		最大行程 Maximum stroke (mm)		建议马达功率 Motor power (W)		重复定位精度 Repeated positioning accuracy (mm)		最大负载 Maximum load (kg)
	X轴	Y轴	X轴	Y轴	X轴	Y轴	X轴	Y轴	X轴	Y轴	Y轴
参数 Parameter	175	140	1250	1000	1450	850	750	400	±0.02	±0.02	35

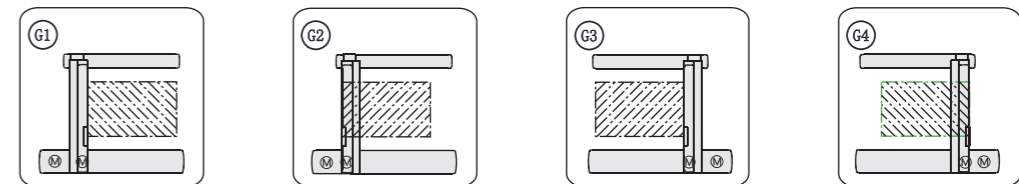
说明:Y轴行程越长,负载越小。
Description:the longer the Y-axis stroke, the smaller the load.

Y轴行程 Y Stroke(mm)	100	150	200	250	300	350	400	450	500	550	600	650	700	750	800	850
H	685	735	785	835	885	935	985	1035	1085	1135	1185	1235	1285	1335	1385	1435
最快速度 Max Speed(mm/s)	1000															

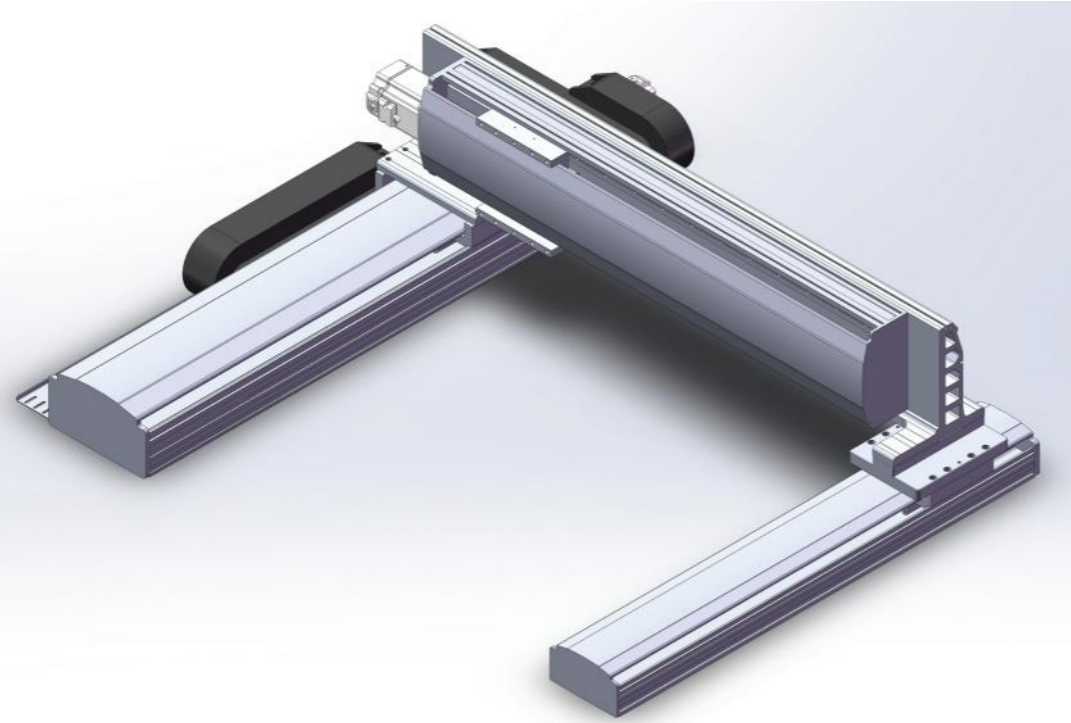
X轴行程 X Stroke(mm)	100	150	200	250	300	350	400	450	500	550	600	650	700	750	800	850	900	950	1000	1050	1100	1150	1200	1250	1300	1350	1400	1450
L	423	473	523	573	623	673	723	773	823	873	923	973	1023	1073	1123	1173	1223	1273	1323	1373	1423	1473	1523	1573	1623	1673	1723	1773
A	100	150	200	50	100	150	200	50	100	150	200	50	100	150	200	50	100	150	200	50	100	150	200	50	100	150	200	50
N	6	6	6	8	8	8	8	10	10	10	10	12	12	12	12	14	14	14	14	16	16	16	16	18	18	18	18	20
M	1	1	1	2	2	2	2	3	3	3	3	4	4	4	4	5	5	5	5	6	6	6	6	7	7	7	7	8
最快速度 Max Speed(mm/s)	1250																1250	1050	900	750	600	400						

X辅助轴行程 X Auxiliary shaft stroke(mm)	100	150	200	250	300	350	400	450	500	550	600	650	700	750	800	850	900	950	1000	1050	1100	1150	1200	1250	1300	1350	1400	1450
P	369	419	469	519	569	619	669	719	769	819	869	919	969	1019	1069	1119	1169	1219	1269	1319	1369	1419	1469	1519	1569	1619	1669	1719
B	100	50	100	50	100	50	100	50	100	50	100	50	100	50	100	50	100	50	100	50	100	50	100	50	100	50	100	50
J	8	10	10	12	12	14	14	16	16	18	18	20	20	22	22	24	24	26	26	28	28	30	30	32	32	34	34	36
K	2	3	3	4	4	5	5	6	6	7	7	8	8	9	9	10	10	11	11	12	12	13	13	14	14	15	15	16

组合方向 Combination direction

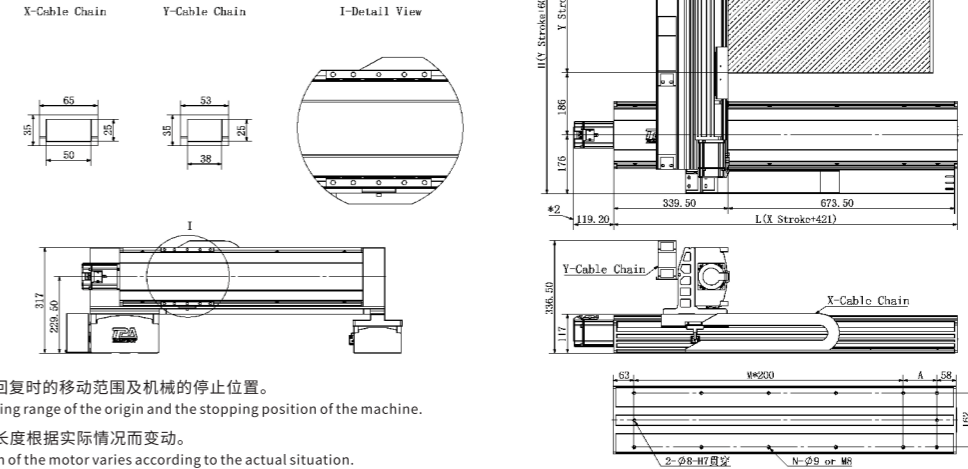


补充:最快速度表示该行程内可使用的安全速度,若超过此速度,滑台可能会发生严重抖动。
Supplement: The fastest speed means the safe speed that can be used in this trip. If the speed is exceeded, the sliding table may shake seriously.



龙门型-G2
Gantry type -G2

单位 Unit(mm)



*1: 原点回复时的移动范围及机械的停止位置。
The moving range of the origin and the stopping position of the machine.
*2: 电机长度根据实际情况而变动。
The length of the motor varies according to the actual situation.

多轴组合对应参数表
Multi-axis combination corresponding parameter table

项目 Item	本体宽度 Ontology width (mm)		最大速度 Maximum speed (mm/s)		最大行程 Maximum stroke (mm)		建议马达功率 Motor power (W)		重复定位精度 Repeated positioning accuracy (mm)		最大负载 Maximum load (kg)
	X轴	Y轴	X轴	Y轴	X轴	Y轴	X轴	Y轴	X轴	Y轴	Y轴
参数 Parameter	202	175	1600	1250	1500	1050	750	750	±0.02	±0.02	50

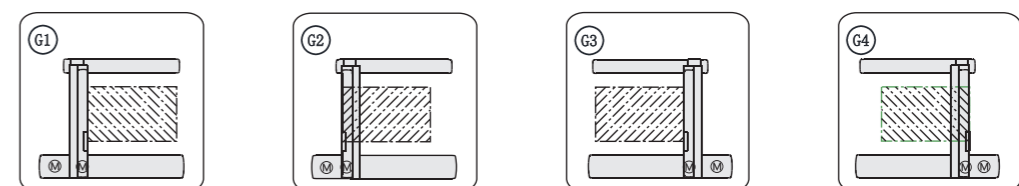
说明:Y轴行程越长,负载越小。
Description:the longer the Y-axis stroke, the smaller the load.

Y轴行程 Y Stroke(mm)	100	150	200	250	300	350	400	450	500	550	600	650	700	750	800	850	900	950	1000	1050
H	700	750	800	850	900	950	1000	1050	1100	1150	1200	1250	1300	1350	1400	1450	1500	1550	1600	1650
最快速度 Max Speed(mm/s)	1250																			

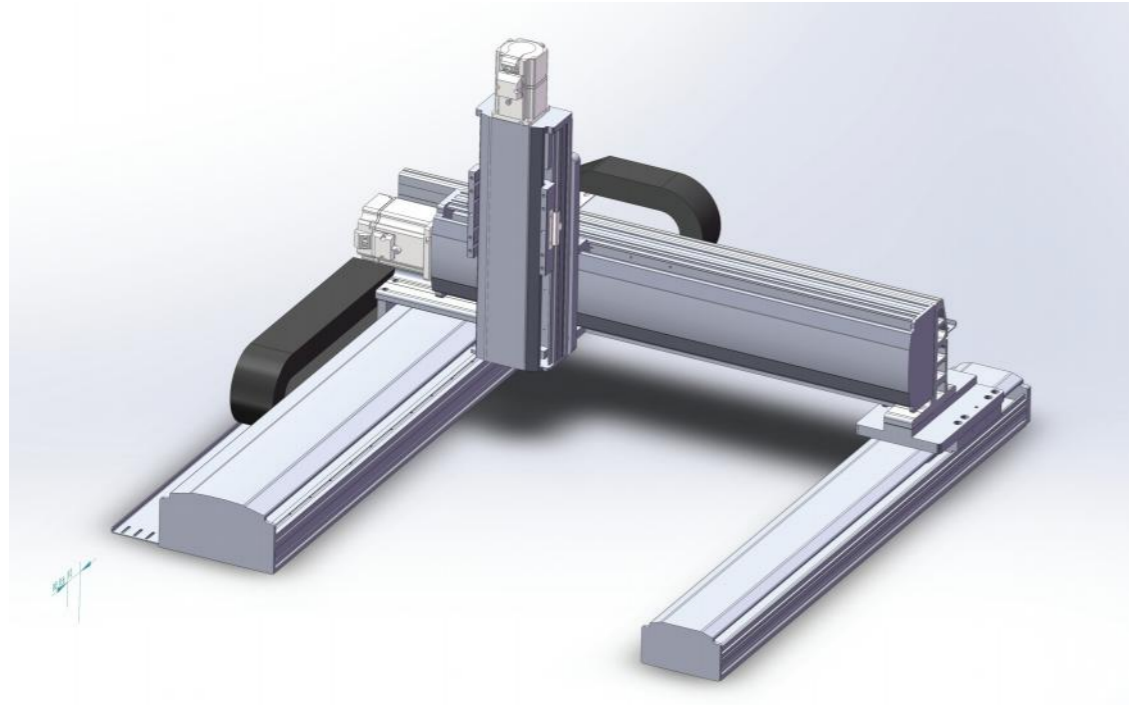
X轴行程 X Stroke(mm)	100	150	200	250	300	350	400	450	500	550	600	650	700	750	800	850	900	950	1000	1050	1100	1150	1200	1250	1300	1350	1400	1450	1500
L	521	571	621	671	721	771	821	871	921	971	1021	1071	1121	1171	1221	1271	1321	1371	1421	1471	1521	1571	1621	1671	1721	1771	1821	1871	1921
A	200	50	100	150	200	50	100	150	200	50	100	150	200	50	100	150	200	50	100	150	200	50	100	150	200	50	100	150	200
N	6	8	8	8	8	10	10	10	10	12	12	12	12	14	14	14	14	16	16	16	16	18	18	18	18	20	20	20	20
M	1	2	2	2	2	3	3	3	3	4	4	4	4	5	5	5	5	6	6	6	6	7	7	7	7	8	8	8	8
最快速度 Max Speed(mm/s)	1600																1400	1200	1000	800	600	400							

X辅助轴行程 X Auxiliary shaft stroke(mm)	100	150	200	250	300	350	400	450	500	550	600	650	700	750	800	850	900	950	1000	1050	1100	1150	1200	1250	1300	1350	1400	1450	1500
P	380	430	480	530	580	630	680	730	780	830	880	930	980	1030	1080	1130	1180	1230	1280	1330	1380	1430	1480	1530	1580	1630	1680	1730	1780
B	100	150	200	50	100	150	200	50	100	150	200	50	100	150	200	50	100	150	200	50	100	150	200	50	100	150	200	50	100
J	6	6	6	8	8	8	8	10	10	10	10	12	12	12	14	14	14	14	16	16	16	16	18	18	18	18	20	20	
K	1	1	1	2	2	2	2	3	3	3	3	4	4	4	4	5	5	5	5	6	6	6	6	7	7	7	7	8	8

组合方向 Combination direction

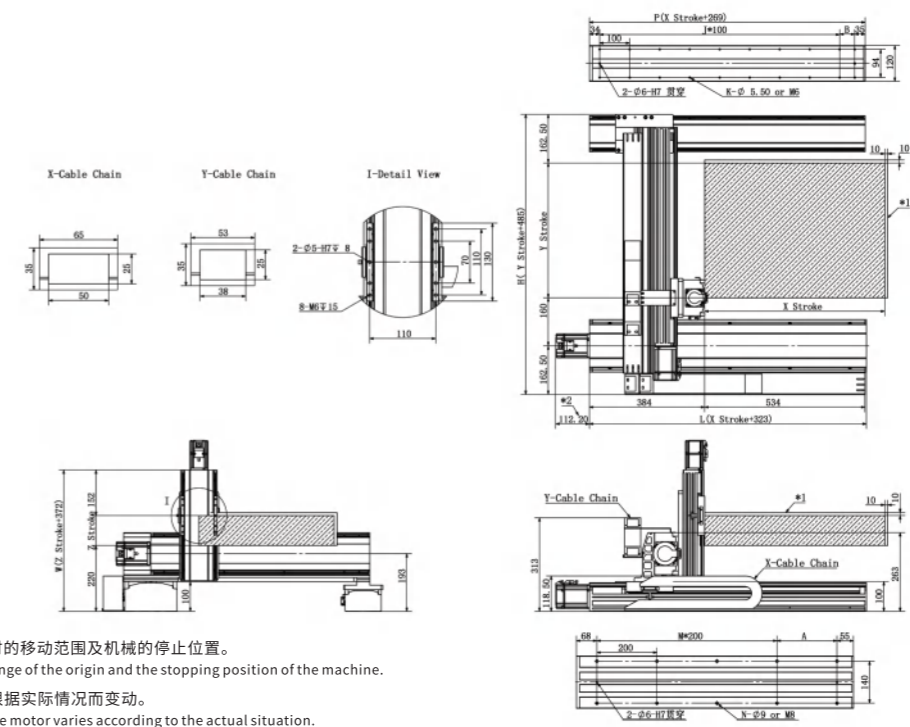


补充: 最快速度表示该行程内可使用的安全速度,若超过此速度,滑台可能会发生严重抖动。
Supplement: The fastest speed means the safe speed that can be used in this trip. If the speed is exceeded, the sliding table may shake seriously.



龙门型-G1
Gantry type -G1

单位 Unit(mm)



*1: 原点回复时的移动范围及机械的停止位置。
The moving range of the origin and the stopping position of the machine.
*2: 电机长度根据实际情况而变动。
The length of the motor varies according to the actual situation.

Y 轴行程 Y Stroke(mm)	100	150	200	250	300	350	400	450	500	550	600	650	700	750	800	850
H	585	635	685	735	785	835	885	935	985	1035	1085	1135	1185	1235	1285	1335
最快速度 Max Speed(mm/s)	1000															

Z 轴行程 Z Stroke(mm)	100	150	200	250	300	350
W	472	522	572	622	672	722
最快速度 Max Speed(mm/s)	1000					

多轴组合对应参数表
Multi-axis combination corresponding parameter table

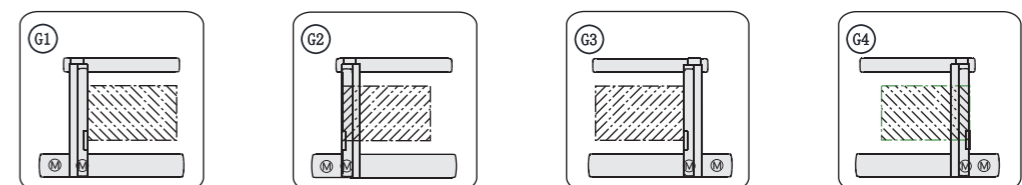
项目 Item	本体宽度 Ontology width (mm)			最大速度 Maximum speed (mm/s)			最大行程 Maximum stroke (mm)			建议马达功率 Motor power (W)			重复定位精度 Repeated positioning accuracy (mm)			最大负载 Maximum load (kg)
	X轴	Y轴	Z轴	X轴	Y轴	Z轴	X轴	Y轴	Z轴	X轴	Y轴	Z轴	X轴	Y轴	Z轴	
参数 Parameter	175	140	120	1250	1000	1000	1450	850	350	750	400	200	±0.02			13

说明:Y轴行程越长,负载越小。
Description:the longer the Y-axis stroke, the smaller the load.

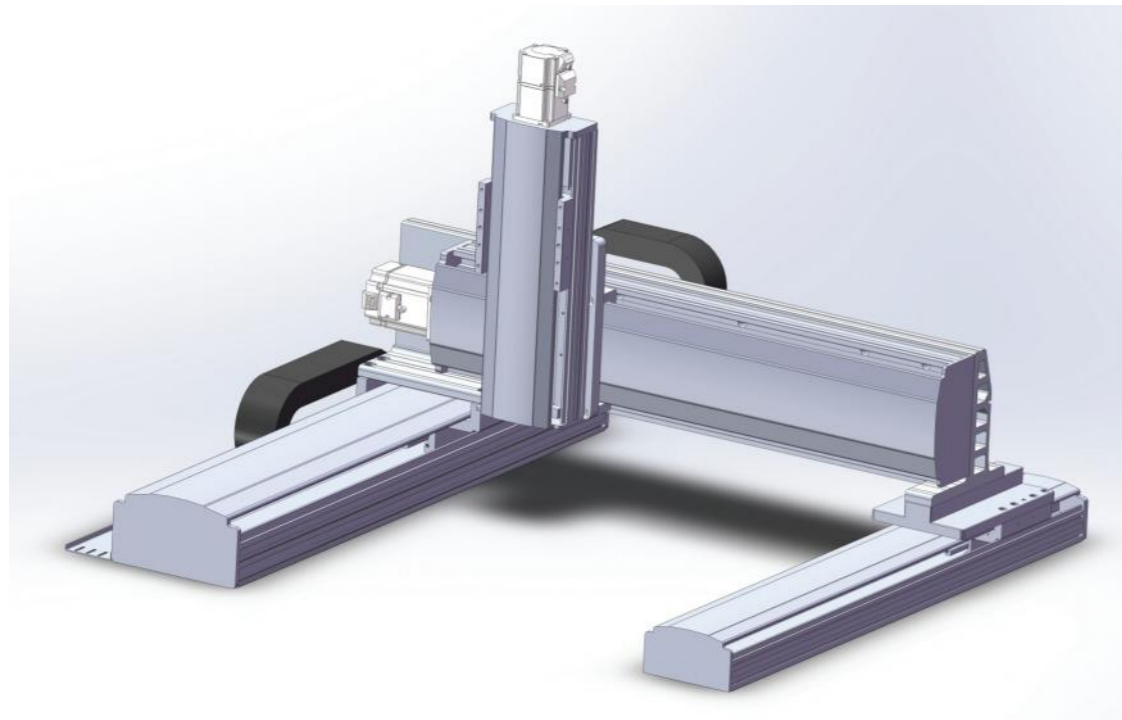
X 轴行程 X Stroke(mm)	100	150	200	250	300	350	400	450	500	550	600	650	700	750	800	850	900	950	1000	1050	1100	1150	1200	1250	1300	1350	1400	1450
L	423	473	523	573	623	673	723	773	823	873	923	973	1023	1073	1123	1173	1223	1273	1323	1373	1423	1473	1523	1573	1623	1673	1723	1773
A	100	150	200	50	100	150	200	50	100	150	200	50	100	150	200	50	100	150	200	50	100	150	200	50	100	150	200	50
N	6	6	6	8	8	8	8	10	10	10	10	12	12	12	12	14	14	14	14	16	16	16	16	18	18	18	18	20
M	1	1	1	2	2	2	2	3	3	3	3	4	4	4	4	5	5	5	5	6	6	6	6	7	7	7	7	8
最快速度 Max Speed(mm/s)	1250																1150	1050	950	850	750	600	500					

X 辅助轴行程 X Auxiliary shaft stroke(mm)	100	150	200	250	300	350	400	450	500	550	600	650	700	750	800	850	900	950	1000	1050	1100	1150	1200	1250	1300	1350	1400	1450
P	369	419	469	519	569	619	669	719	769	819	869	919	969	1019	1069	1119	1169	1219	1269	1319	1369	1419	1469	1519	1569	1619	1669	1719
B	100	50	100	50	100	50	100	50	100	50	100	50	100	50	100	50	100	50	100	50	100	50	100	50	100	50	100	50
J	8	10	10	12	12	14	14	16	16	18	18	20	20	22	22	24	24	26	26	28	28	30	30	32	32	34	34	36
K	2	3	3	4	4	5	5	6	6	7	7	8	8	9	9	10	10	11	11	12	12	13	13	14	14	15	15	16

组合方向 Combination direction

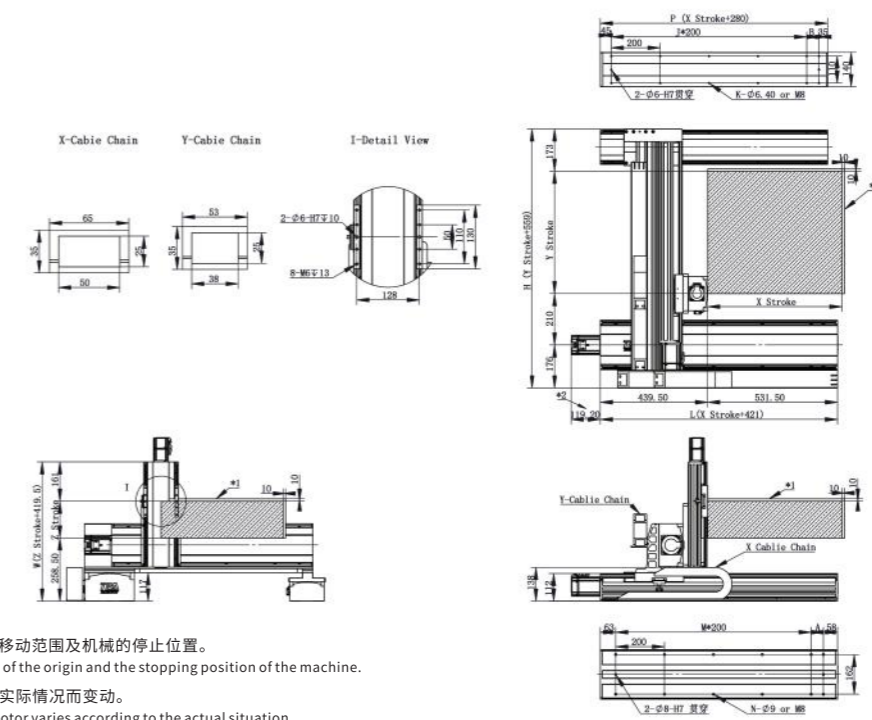


补充:最快速度表示该行程内可使用的安全速度,若超过此速度,滑台可能会发生严重抖动。
Supplement: The fastest speed means the safe speed that can be used in this trip. If the speed is exceeded, the sliding table may shake seriously.



龙门型-G1
Gantry type -G1

单位 Unit(mm)



*1: 原点回复时的移动范围及机械的停止位置。
The moving range of the origin and the stopping position of the machine.
*2: 电机长度根据实际情况而变动。
The length of the motor varies according to the actual situation.

多轴组合对应参数表
Multi-axis combination corresponding parameter table

项目 Item	本体宽度 Ontology width (mm)			最大速度 Maximum speed (mm/S)			最大行程 Maximum stroke (mm)			建议马达功率 Motor power (W)			重复定位精度 Repeated positioning accuracy (mm)			最大负载 Maximum load (kg)
	X轴	Y轴	Z轴	X轴	Y轴	Z轴	X轴	Y轴	Z轴	X轴	Y轴	Z轴	X轴	Y轴	Z轴	
参数 Parameter	202	175	140	1600	1250	1000	1600	1050	550	750	750	400	±0.02			22

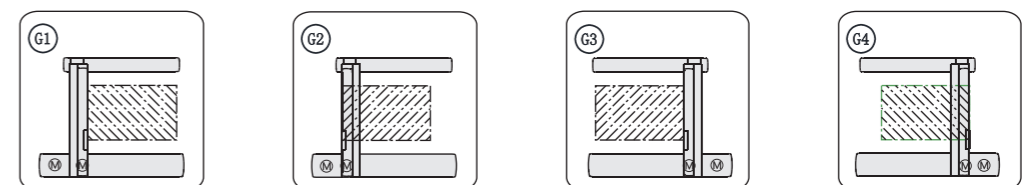
说明:Y轴行程越长,负载越小。
Description:the longer the Y-axis stroke, the smaller the load.

Y轴行程 Y Stroke (mm)	100	150	200	250	300	350	400	450	500	550	600	650	700	750	800	850	900	950	1000	1050	Z轴行程 Z Stroke (mm)	100	150	200	250	300	350	400	450	500	550
H	659	709	759	809	859	909	959	1009	1059	1109	1159	1209	1259	1309	1359	1409	1459	1509	1559	1609	W	519.5	569.5	619.5	669.5	719.5	769.5	819.5	869.5	919.5	969.5
最快速度 Max speed (mm/s)	1000																				最快速度 Max speed (mm/s)	1000									

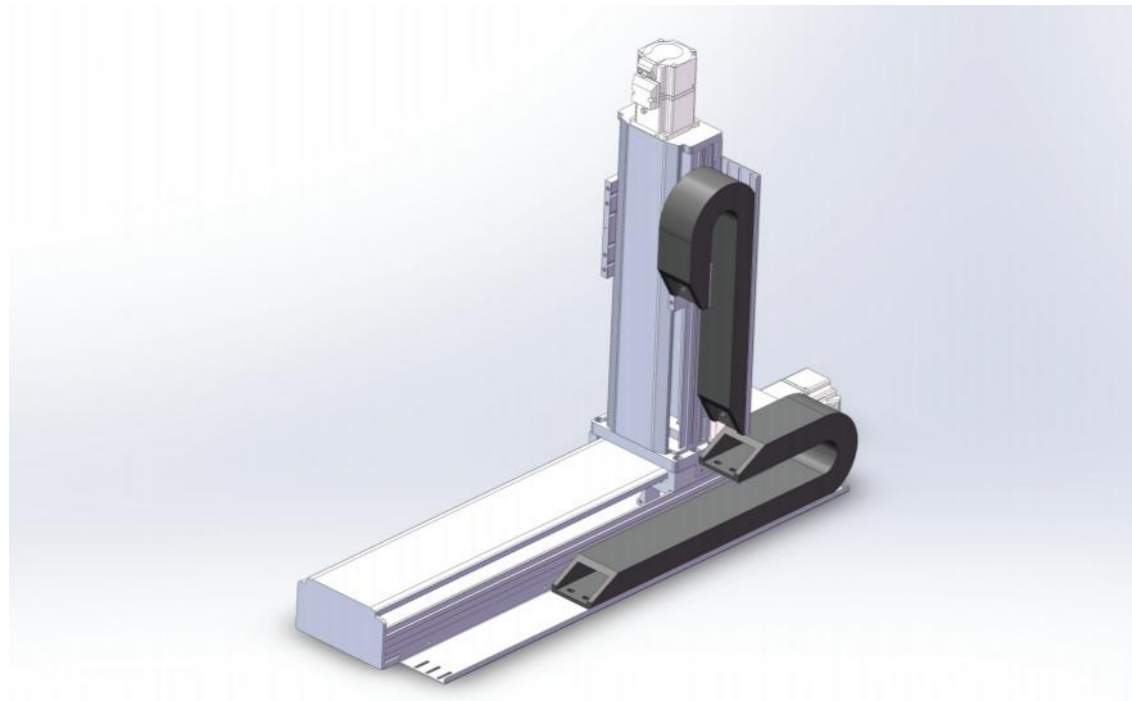
X轴行程 X Stroke (mm)	100	150	200	250	300	350	400	450	500	550	600	650	700	750	800	850	900	950	1000	1050	1100	1150	1200	1250	1300	1350	1400	1450	1500	1550	1600
L	521	571	621	671	721	771	821	871	921	971	1021	1071	1121	1171	1221	1271	1321	1371	1421	1471	1521	1571	1621	1671	1721	1771	1821	1871	1921	1971	2021
A	200	50	100	150	200	50	100	150	200	50	100	150	200	50	100	150	200	50	100	150	200	50	100	150	200	50	100	150	200	50	100
N	6	8	8	8	8	10	10	10	10	12	12	12	12	14	14	14	14	16	16	16	16	18	18	18	18	20	20	20	20	22	22
M	1	2	2	2	2	3	3	3	3	4	4	4	4	5	5	5	5	6	6	6	6	7	7	7	7	8	8	8	8	9	9
最快速度 Max Speed (mm/s)	1600																1500	1400	1250	1100	950	800	650	500	350						

X轴辅助行程 X Auxiliary shaft stroke (mm)	100	150	200	250	300	350	400	450	500	550	600	650	700	750	800	850	900	950	1000	1050	1100	1150	1200	1250	1300	1350	1400	1450	1500	1550	1600
P	380	430	480	530	580	630	680	730	780	830	880	930	980	1030	1080	1130	1180	1230	1280	1330	1380	1430	1480	1530	1580	1630	1680	1730	1780	1830	1880
B	100	150	200	50	100	150	200	50	100	150	200	50	100	150	200	50	100	150	200	50	100	150	200	50	100	150	200	50	100	150	200
J	6	6	6	8	8	8	8	10	10	10	10	12	12	12	12	14	14	14	14	16	16	16	16	18	18	18	18	20	20	20	20
K	1	1	1	2	2	2	2	3	3	3	3	4	4	4	4	5	5	5	5	6	6	6	6	7	7	7	7	8	8	8	8

组合方向 Combination direction



补充:最快速度表示该行程内可使用的安全速度,若超过此速度,滑台可能会发生严重抖动。
Supplement: The fastest speed means the safe speed that can be used in this trip. If the speed is exceeded, the sliding table may shake seriously.



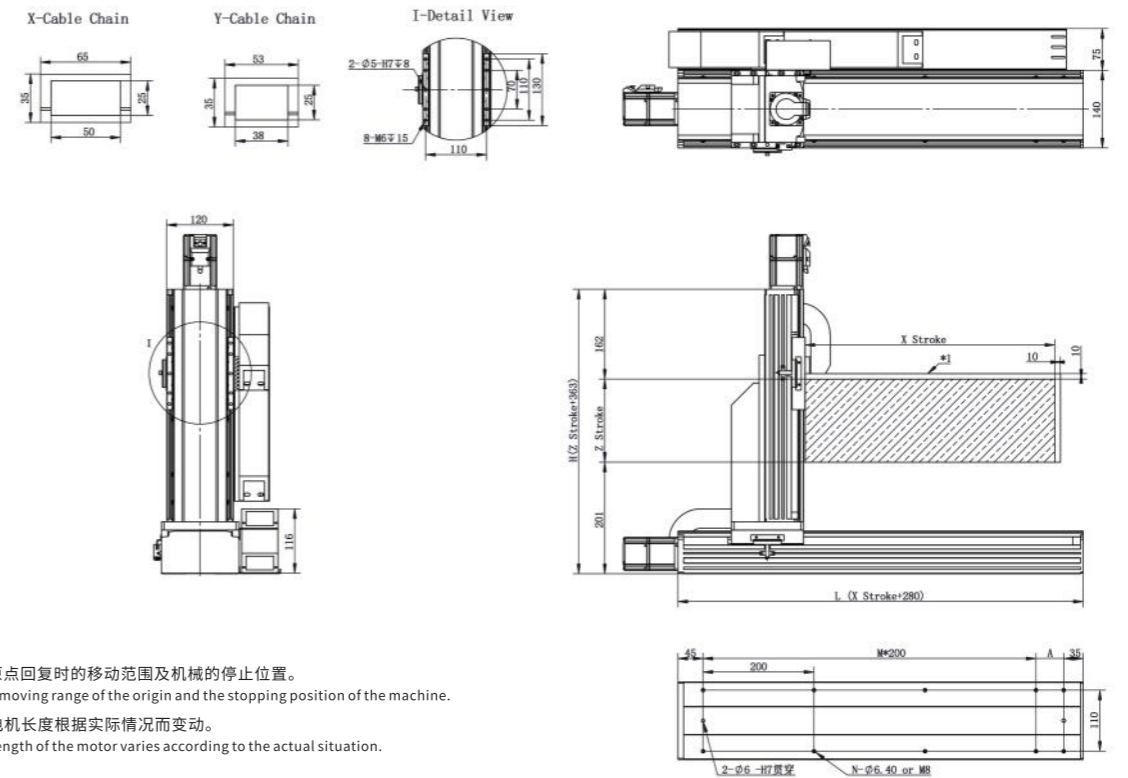
多轴组合对应参数表
Multi-axis combination corresponding parameter table

项目 Item	本体宽度 Ontology width (mm)		最大速度 Maximum speed (mm/s)		最大行程 Maximum stroke (mm)		建议马达功率 Motor power (W)		重复定位精度 Repeated positioning accuracy (mm)		最大负载 Maximum load (kg)
	X轴	Z轴	X轴	Z轴	X轴	Z轴	X轴	Z轴	X轴	Z轴	Z轴
参数 Parameter	140	120	1000	1000	1050	550	400	200	±0.02	±0.02	10

说明:Y轴行程越长,负载越小。
Description:the longer the Y-axis stroke, the smaller the load.

极坐标型-P1
Polar coordinate type -P1

单位 Unit(mm)

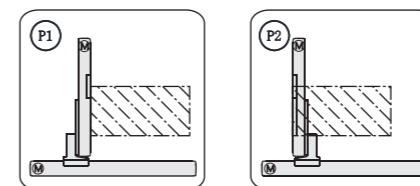


*1: 原点回复时的移动范围及机械的停止位置。
The moving range of the origin and the stopping position of the machine.
*2: 电机长度根据实际情况而变动。
The length of the motor varies according to the actual situation.

X轴行程 X Stroke (mm)	100	150	200	250	300	350	400	450	500	550	600	650	700	750	800	850	900	950	1000	1050		
L	380	430	480	530	580	630	680	730	780	830	880	930	980	1030	1080	1130	1180	1230	1280	1330		
A	100	150	200	50	100	150	200	50	100	150	200	50	100	150	200	50	100	150	200	50		
N	6	6	6	8	8	8	8	10	10	10	10	12	12	12	12	14	14	14	14	16		
M	1	1	1	2	2	2	2	3	3	3	3	4	4	4	4	5	5	5	5	6		
最快速度 Max Speed (mm/s)	1000																900	800	700	600	500	400

Z轴行程 Z Stroke (mm)	100	150	200	250	300	350	400	450	500	550
H	463	513	563	613	663	713	763	813	863	913
最快速度 Max Speed (mm/s)	1000									

组合方向 Combination direction

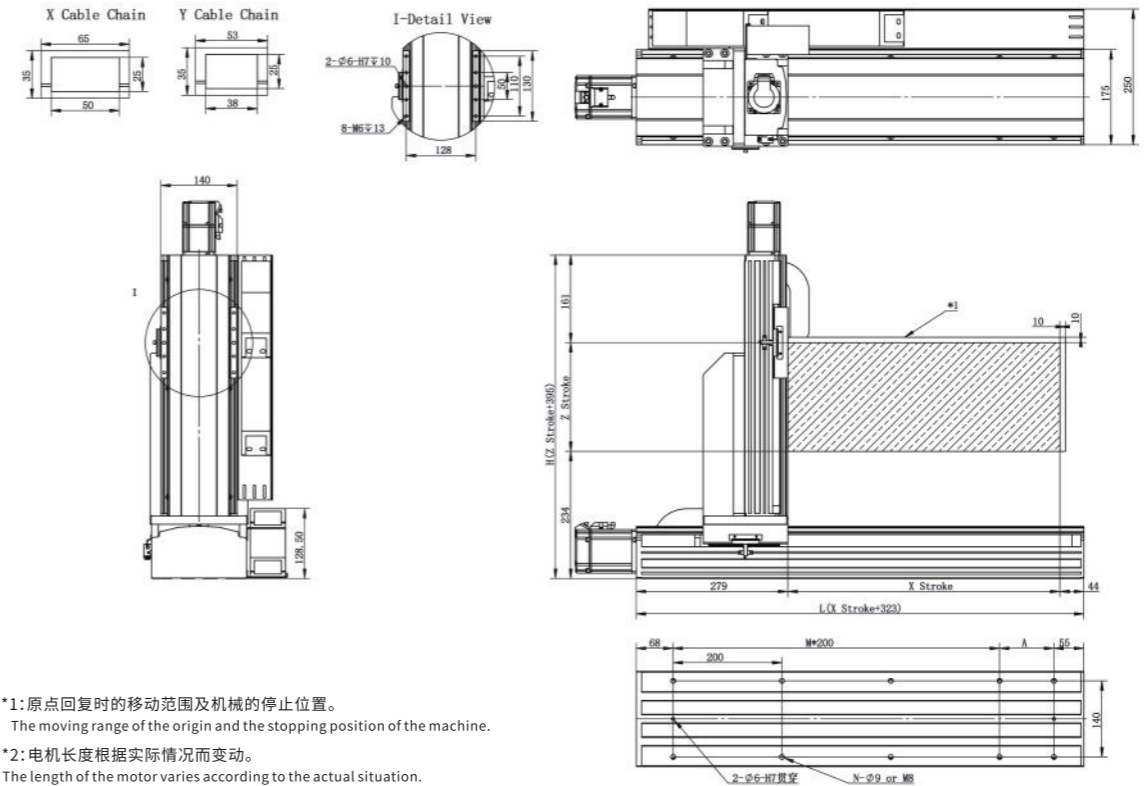


补充: 最快速度表示该行程内可使用的安全速度,若超过此速度,滑台可能会发生严重抖动。
Supplement: The fastest speed means the safe speed that can be used in this trip. If the speed is exceeded, the sliding table may shake seriously.



极坐标型-P1
Polar coordinate type -P1

单位 Unit(mm)



*1: 原点回复时的移动范围及机械的停止位置。
The moving range of the origin and the stopping position of the machine.
*2: 电机长度根据实际情况而变动。
The length of the motor varies according to the actual situation.

多轴组合对应参数表
Multi-axis combination corresponding parameter table

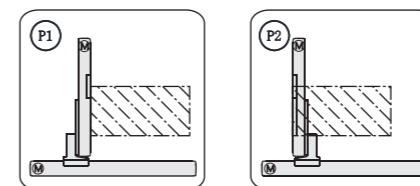
项目 Item	本体宽度 Ontology width (mm)		最大速度 Maximum speed (mm/s)		最大行程 Maximum stroke (mm)		建议马达功率 Motor power (W)		重复定位精度 Repeated positioning accuracy (mm)		最大负载 Maximum load (kg)
	X轴	Z轴	X轴	Z轴	X轴	Z轴	X轴	Z轴	X轴	Z轴	Z轴
参数 Parameter	175	140	1250	1000	1250	650	750	400	±0.02	±0.02	22

说明:Y轴行程越长,负载越小。
Description:the longer the Y-axis stroke, the smaller the load.

X轴行程 X Stroke (mm)	100	150	200	250	300	350	400	450	500	550	600	650	700	750	800	850	900	950	1000	1050	1100	1150	1200	1250
L	423	473	523	573	623	673	723	773	823	873	923	973	1023	1073	1123	1173	1223	1273	1323	1373	1423	1473	1523	1573
A	100	150	200	50	100	150	200	50	100	150	200	50	100	150	200	50	100	150	200	50	100	150	200	50
N	6	6	6	8	8	8	8	10	10	10	10	12	12	12	12	14	14	14	14	16	16	16	16	18
M	1	1	1	2	2	2	2	3	3	3	3	4	4	4	4	5	5	5	5	6	6	6	6	7
最快速度 Max Speed (mm/s)	1250																1150	1000	900	800	700			

Z轴行程 Z Stroke (mm)	100	150	200	250	300	350	400	450	500	550	600	650
H	495	545	595	645	695	745	795	845	895	945	995	1045
最快速度 Max Speed (mm/s)	1000											

组合方向 Combination direction

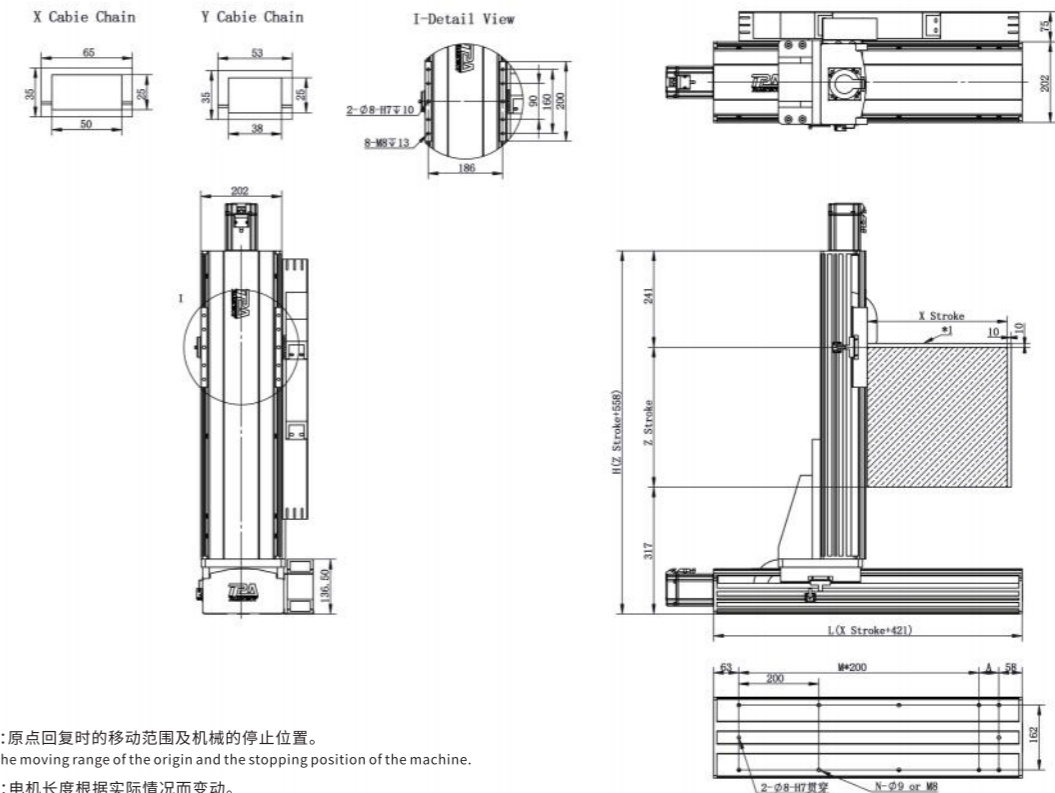


补充:最快速度表示该行程内可使用的安全速度,若超过此速度,滑台可能会发生严重抖动。
Supplement: The fastest speed means the safe speed that can be used in this trip. If the speed is exceeded, the sliding table may shake seriously.



极坐标型-P1
Polar coordinate type -P1

单位 Unit(mm)



*1: 原点回复时的移动范围及机械的停止位置。
The moving range of the origin and the stopping position of the machine.
*2: 电机长度根据实际情况而变动。
The length of the motor varies according to the actual situation.

多轴组合对应参数表
Multi-axis combination corresponding parameter table

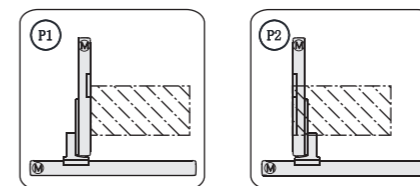
项目 Item	本体宽度 Ontology width (mm)		最大速度 Maximum speed (mm/s)		最大行程 Maximum stroke (mm)		建议马达功率 Motor power (W)		重复定位精度 Repeated positioning accuracy (mm)		最大负载 Maximum load (kg)
	X轴	Z轴	X轴	Z轴	X轴	Z轴	X轴	Z轴	X轴	Z轴	Z轴
参数 Parameter	202	202	1600	1600	1500	950	750	750	±0.02	±0.02	33

说明:Y轴行程越长,负载越小。
Description:the longer the Y-axis stroke, the smaller the load.

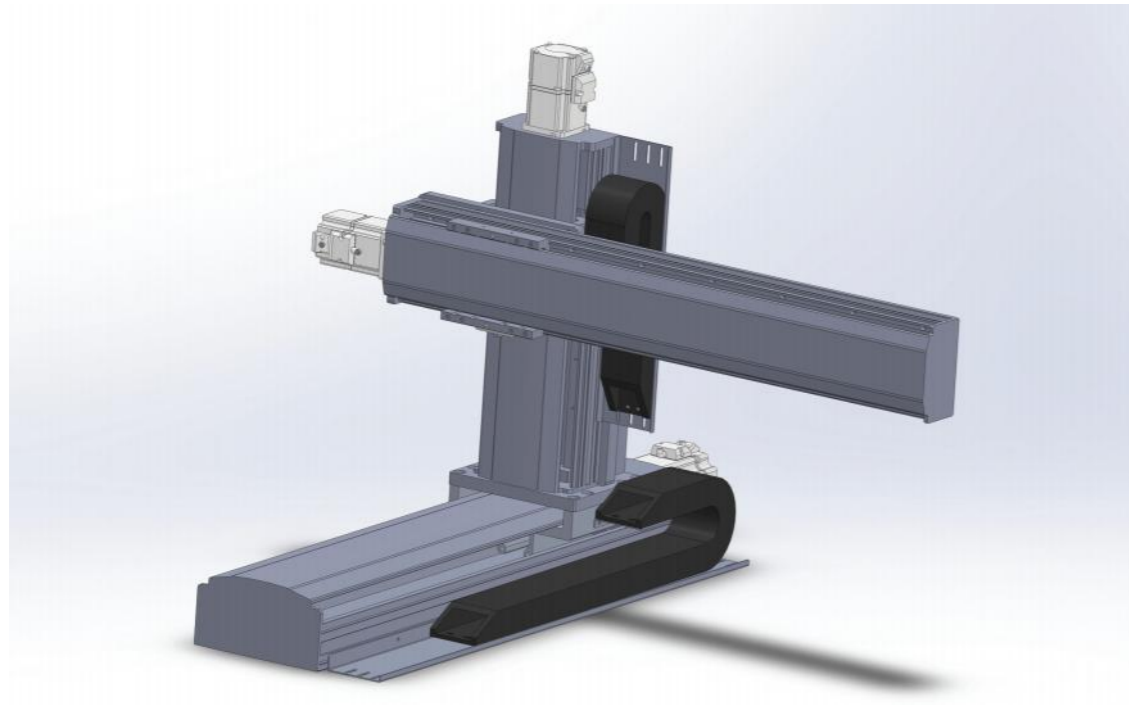
X 轴行程 X Stroke(mm)	100	150	200	250	300	350	400	450	500	550	600	650	700	750	800	850	900	950	1000	1050	1100	1150	1200	1250	1300	1350	1400	1450	1500
L	521	571	621	671	721	771	821	871	921	971	1021	1071	1121	1171	1221	1271	1321	1371	1421	1471	1521	1571	1621	1671	1721	1771	1821	1871	1921
A	200	50	100	150	200	50	100	150	200	50	100	150	200	50	100	150	200	50	100	150	200	50	100	150	200	50	100	150	200
N	6	8	8	8	8	10	10	10	10	12	12	12	12	14	14	14	14	16	16	16	16	18	18	18	18	20	20	20	20
M	1	2	2	2	2	3	3	3	3	4	4	4	4	5	5	5	5	6	6	6	6	7	7	7	7	8	8	8	8
最快速度 Max Speed(mm/s)	1600																	1500	1400	1200	1000	800	600						

Z 轴行程 Z Stroke(mm)	100	150	200	250	300	350	400	450	500	550	600	650	700	750	800	850	900	950
H	658	708	758	808	858	908	958	1008	1058	1108	1158	1208	1258	1308	1358	1408	1458	1508
最快速度 Max Speed(mm/s)	800																	

组合方向 Combination direction



补充:最快速度表示该行程内可使用的安全速度,若超过此速度,滑台可能会发生严重抖动。
Supplement: The fastest speed means the safe speed that can be used in this trip. If the speed is exceeded, the sliding table may shake seriously.



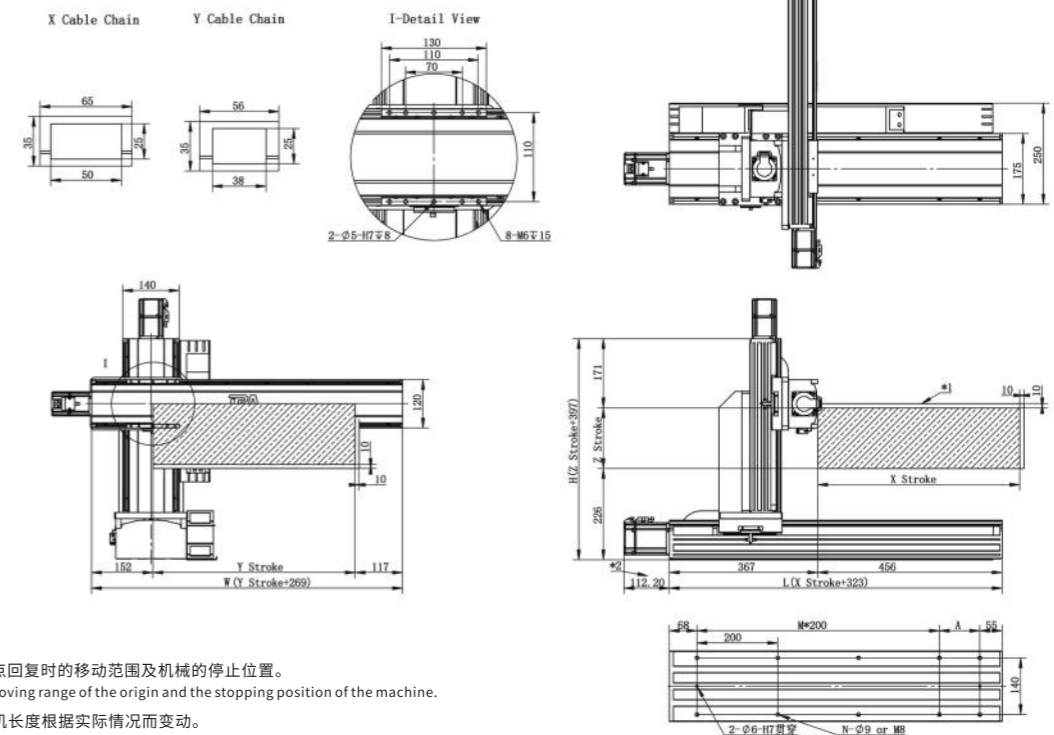
多轴组合对应参数表
Multi-axis combination corresponding parameter table

项目 Item	本体宽度 Ontology width (mm)			最大速度 Maximum speed (mm/s)			最大行程 Maximum stroke (mm)			建议马达功率 Motor power (W)			重复定位精度 Repeated positioning accuracy (mm)			最大负载 Maximum load (kg)
	X轴	Y轴	Z轴	X轴	Y轴	Z轴	X轴	Y轴	Z轴	X轴	Y轴	Z轴	X轴	Y轴	Z轴	Z轴
参数 Parameter	175	120	140	1250	1000	1000	1250	350	650	750	200	400	±0.02			13

说明:Y轴行程越长,负载越小。
Description:the longer the Y-axis stroke, the smaller the load.

极坐标型-P1
Polar coordinate type -P1

单位 Unit(mm)



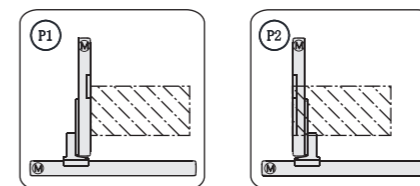
*1: 原点回复时的移动范围及机械的停止位置。
The moving range of the origin and the stopping position of the machine.
*2: 电机长度根据实际情况而变动。
The length of the motor varies according to the actual situation.

X轴行程 X Stroke(mm)	100	150	200	250	300	350	400	450	500	550	600	650	700	750	800	850	900	950	1000	1050	1100	1150	1200	1250
L	423	473	523	573	623	673	723	773	823	873	923	973	1023	1073	1123	1173	1223	1273	1323	1373	1423	1473	1523	1573
A	100	150	200	50	100	150	200	50	100	150	200	50	100	150	200	50	100	150	200	50	100	150	200	50
N	6	6	6	8	8	8	8	10	10	10	10	12	12	12	12	14	14	14	14	16	16	16	16	18
M	1	1	1	2	2	2	2	3	3	3	3	4	4	4	4	5	5	5	5	6	6	6	6	7
最快速度 Max Speed(mm/s)	1250															1150	1050	950	900	750				

Z轴行程 Z Stroke(mm)	100	150	200	250	300	350	400	450	500	550	600	650
H	497	547	597	647	697	747	797	847	897	947	997	1047
最快速度 Max Speed(mm/s)	1000											

Y轴行程 Y Stroke(mm)	100	150	200	250	300	350
W	369	419	469	519	569	619
最快速度 Max Speed(mm/s)	1000					

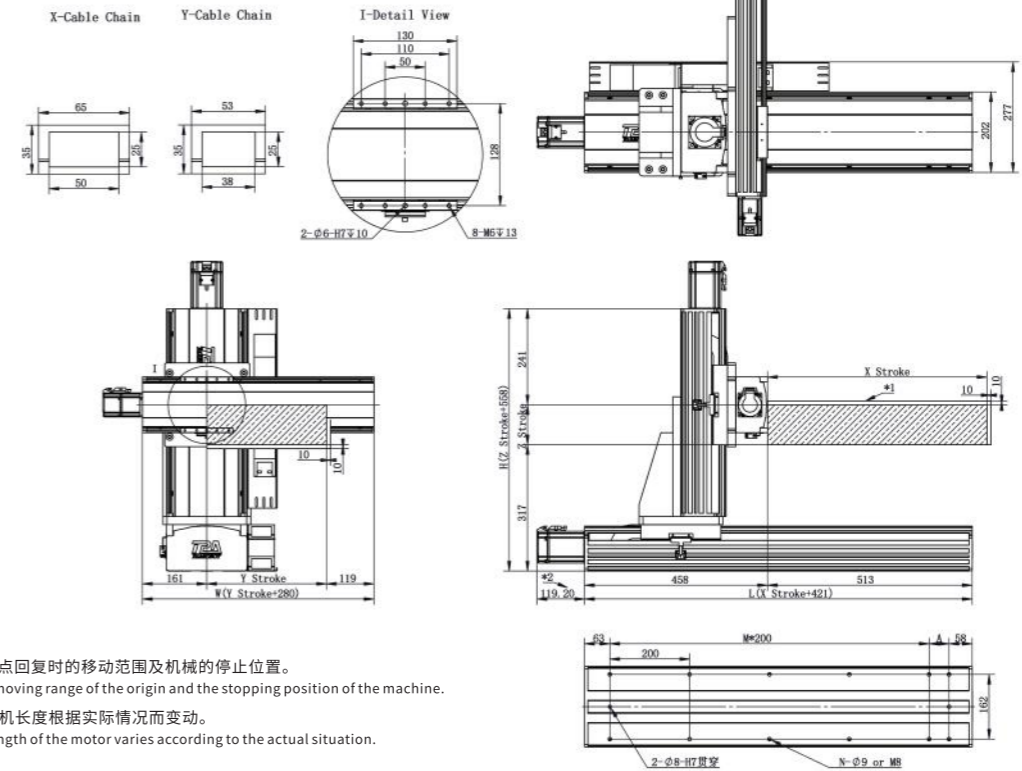
组合方向 Combination direction



补充:最快速度表示该行程内可使用的安全速度,若超过此速度,滑台可能会发生严重抖动。
Supplement: The fastest speed means the safe speed that can be used in this trip. If the speed is exceeded, the sliding table may shake seriously.

极坐标型-P1
Polar coordinate type -P1

单位 Unit(mm)



*1: 原点回复时的移动范围及机械的停止位置。
The moving range of the origin and the stopping position of the machine.
*2: 电机长度根据实际情况而变动。
The length of the motor varies according to the actual situation.

多轴组合对应参数表
Multi-axis combination corresponding parameter table

项目 Item	本体宽度 Ontology width (mm)			最大速度 Maximum speed (mm/s)			最大行程 Maximum stroke (mm)			建议马达功率 Motor power (W)			重复定位精度 Repeated positioning accuracy (mm)			最大负载 Maximum load (kg)
	X轴	Y轴	Z轴	X轴	Y轴	Z轴	X轴	Y轴	Z轴	X轴	Y轴	Z轴	X轴	Y轴	Z轴	
轴 Axis	X轴	Y轴	Z轴	X轴	Y轴	Z轴	X轴	Y轴	Z轴	X轴	Y轴	Z轴	X轴	Y轴	Z轴	Z轴
参数 Parameter	202	140	202	1600	1000	1600	1500	650	950	750	400	750	±0.02			15

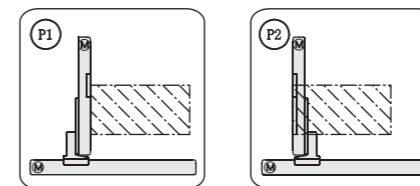
说明:Y轴行程越长,负载越小。
Description:the longer the Y-axis stroke, the smaller the load.

X轴行程 X Stroke(mm)	100	150	200	250	300	350	400	450	500	550	600	650	700	750	800	850	900	950	1000	1050	1100	1150	1200	1250
L	423	473	523	573	623	673	723	773	823	873	923	973	1023	1073	1123	1173	1223	1273	1323	1373	1423	1473	1523	1573
A	100	150	200	50	100	150	200	50	100	150	200	50	100	150	200	50	100	150	200	50	100	150	200	50
N	6	6	6	8	8	8	8	10	10	10	10	12	12	12	12	14	14	14	14	16	16	16	16	18
M	1	1	1	2	2	2	2	3	3	3	3	4	4	4	4	5	5	5	5	6	6	6	6	7
最快速度 Max Speed(mm/s)	1250												1150			1050		950		900		750		

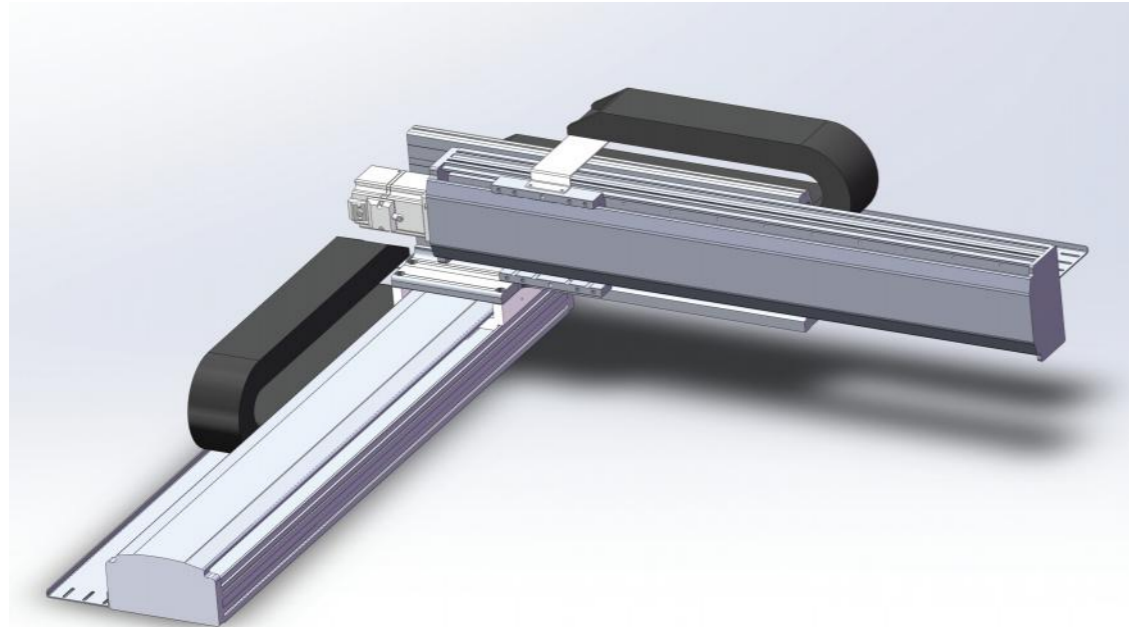
Z轴行程 Z Stroke(mm)	100	150	200	250	300	350	400	450	500	550
H	497	547	597	647	697	747	797	847	897	947
最快速度 Max Speed(mm/s)	1000									

Y轴行程 Y Stroke(mm)	100	150	200	250	300	350	400	450	500	550	600	650	700	750
W	369	419	469	519	569	619	669	719	769	819	869	919	969	1019
最快速度 Max Speed(mm/s)	1000													

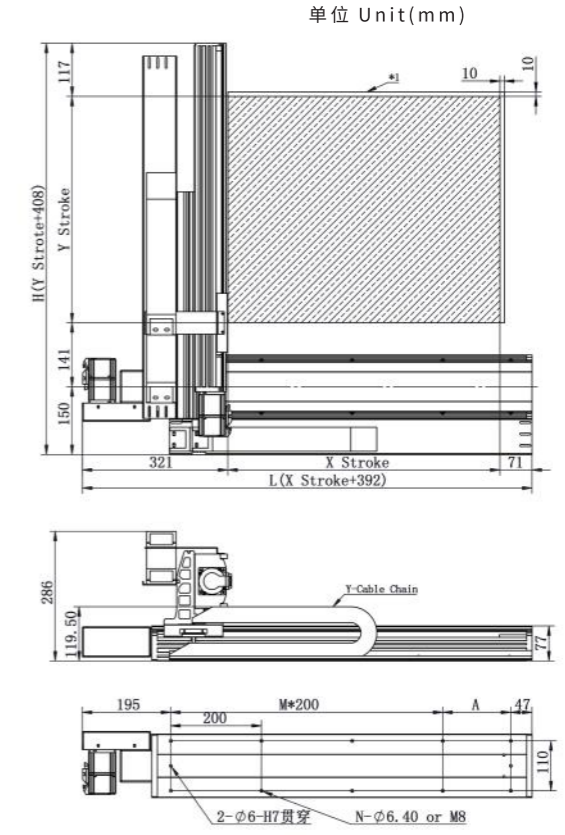
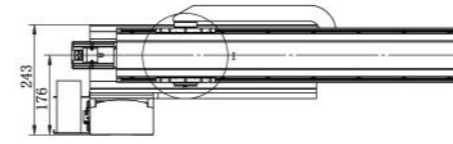
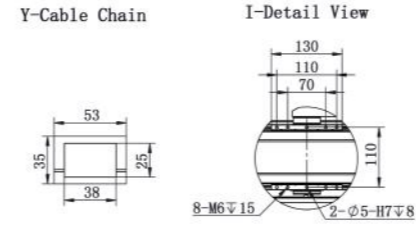
组合方向 Combination direction



补充:最快速度表示该行程内可使用的安全速度,若超过此速度,滑台可能会发生严重抖动。
Supplement: The fastest speed means the safe speed that can be used in this trip. If the speed is exceeded, the sliding table may shake seriously.



悬臂型-A2
Cantilever type -A2



*1: 原点回复时的移动范围及机械的停止位置。
The moving range of the origin and the stopping position of the machine.

*2: 电机长度根据实际情况而变动。
The length of the motor varies according to the actual situation.

多轴组合对应参数表
Multi-axis combination corresponding parameter table

项目 Item	本体宽度 Ontology width (mm)		最大速度 Maximum speed (mm/s)		最大行程 Maximum stroke (mm)		建议马达功率 Motor power (W)		重复定位精度 Repeated positioning accuracy (mm)		最大负载 Maximum load (kg)
	X轴	Y轴	X轴	Y轴	X轴	Y轴	X轴	Y轴	X轴	Y轴	Y轴
参数 Parameter	140	120	2000	1000	3050	550	400	200	±0.04	±0.02	14

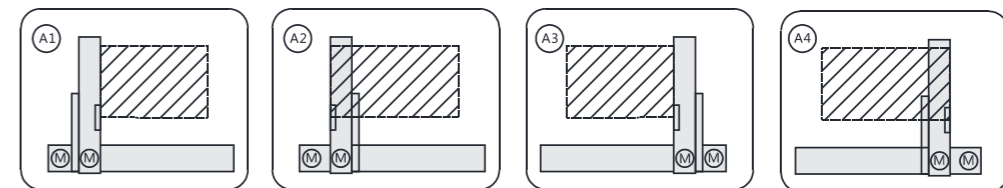
说明: Y轴行程越长, 负载越小。
Description: the longer the Y-axis stroke, the smaller the load.

X轴行程 X Stroke (mm)	550	650	750	850	950	1050	1150	1250	1350	1450	1550	1650	1750	1850	1950	2050	2150	2250	2350	2450
L	942	1042	1142	1242	1342	1442	1542	1642	1742	1842	1942	2042	2142	2242	2342	2442	2542	2642	2742	2842
A	100	200	100	200	100	200	100	200	100	200	100	200	100	200	100	200	100	200	100	200
N	10	10	12	12	14	14	16	16	18	18	20	20	22	22	24	24	26	26	28	28
M	3	3	4	4	5	5	6	6	7	7	8	8	9	9	10	10	11	11	12	12
最快速度 Max Speed (mm/s)	2000																			

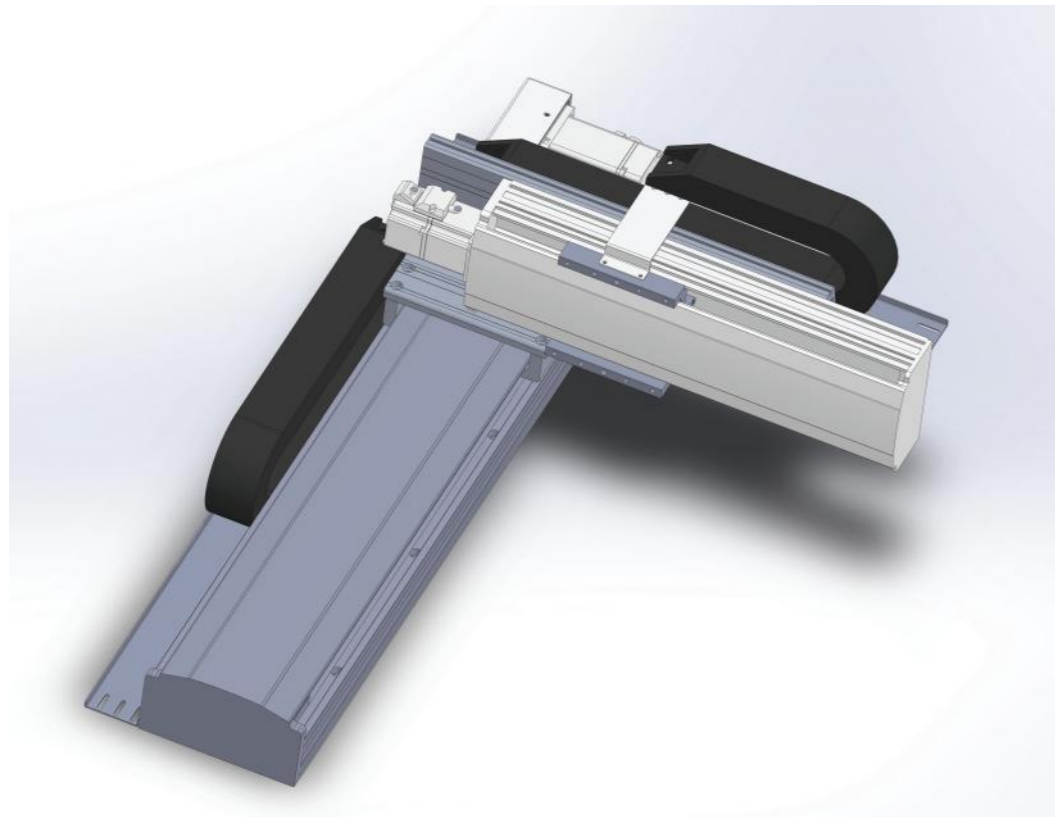
X轴行程 X Stroke (mm)	2550	2650	2750	2850	2950	3050
L	2942	3042	3142	3242	3342	3442
A	100	200	100	200	100	200
N	30	30	32	32	34	34
M	13	13	14	14	15	15
最快速度 Max Speed (mm/s)	2000					

Y轴行程 Y Stroke (mm)	100	150	200	250	300	350	400	450	500	550
H	508	558	608	658	708	758	808	858	908	958
最快速度 Max Speed (mm/s)	1000									

组合方向 Combination direction



补充: 最快速度表示该行程内可使用的安全速度, 若超过此速度, 滑台可能会发生严重抖动。
Supplement: The fastest speed means the safe speed that can be used in this trip. If the speed is exceeded, the sliding table may shake seriously.



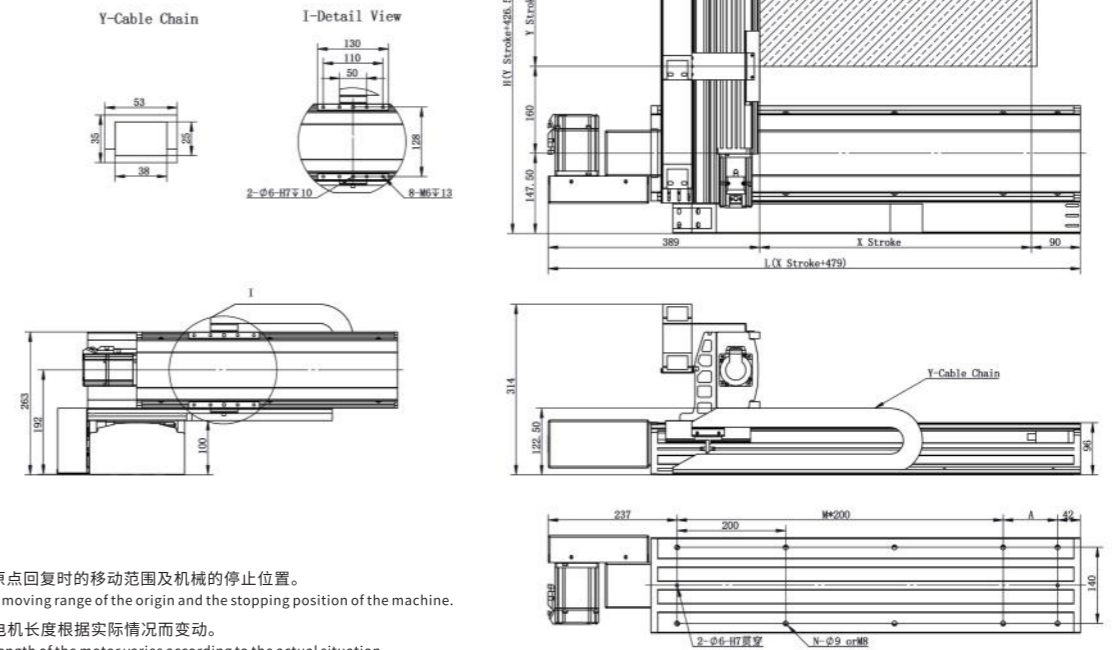
多轴组合对应参数表
Multi-axis combination corresponding parameter table

项目 Item	本体宽度 Ontology width (mm)		最大速度 Maximum speed (mm/s)		最大行程 Maximum stroke (mm)		建议马达功率 Motor power (W)		重复定位精度 Repeated positioning accuracy (mm)		最大负载 Maximum load (kg)
	X轴	Y轴	X轴	Y轴	X轴	Y轴	X轴	Y轴	X轴	Y轴	Y轴
参数 Parameter	175	140	2000	1000	3050	650	750	400	±0.04	±0.02	14

说明:Y轴行程越长,负载越小。
Description:the longer the Y-axis stroke, the smaller the load.

悬臂型-A2
Cantilever type -A2

单位 Unit(mm)



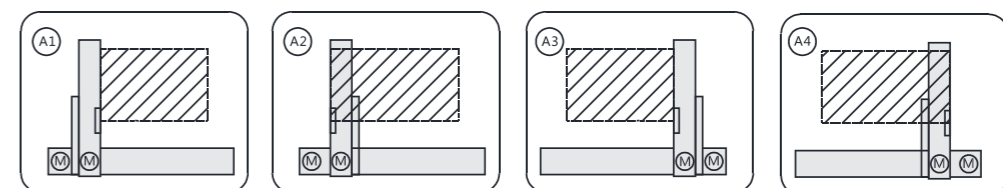
*1:原点回复时的移动范围及机械的停止位置。
The moving range of the origin and the stopping position of the machine.
*2:电机长度根据实际情况而变动。
The length of the motor varies according to the actual situation.

X轴行程 X Stroke(mm)	550	650	750	850	950	1050	1150	1250	1350	1450	1550	1650	1750	1850	1950	2050	2150	2250	2350	2450
L	1029	1129	1229	1329	1429	1529	1629	1729	1829	1929	2029	2129	2229	2329	2429	2529	2629	2729	2829	2929
A	150	50	150	50	150	50	150	50	150	50	150	50	150	50	150	50	150	50	150	50
N	10	12	12	14	14	16	16	18	18	20	20	22	22	24	24	26	26	28	28	30
M	3	4	4	5	5	6	6	7	7	8	8	9	9	10	10	11	11	12	12	13
最快速度 Max Speed(mm/s)	2000																			

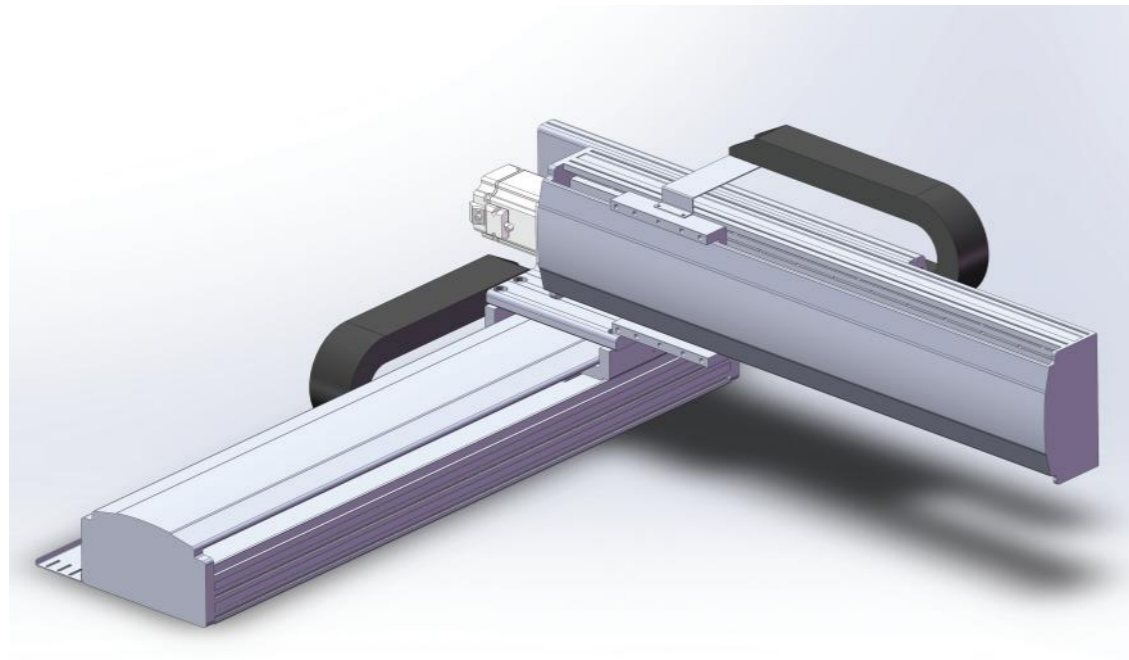
X轴行程 X Stroke(mm)	2550	2650	2750	2850	2950	3050
L	3029	3129	3229	3329	3429	3529
A	150	50	150	50	150	50
N	30	32	32	34	34	36
M	13	14	14	15	15	16
最快速度 Max Speed(mm/s)	2000					

Y轴行程 Y Stroke(mm)	100	150	200	250	300	350	400	450	500	550	600	650
H	526.5	576.5	626.5	676.5	726.5	776.5	826.5	876.5	926.5	976.5	1026.5	1076.5
最快速度 Max Speed(mm/s)	1000											

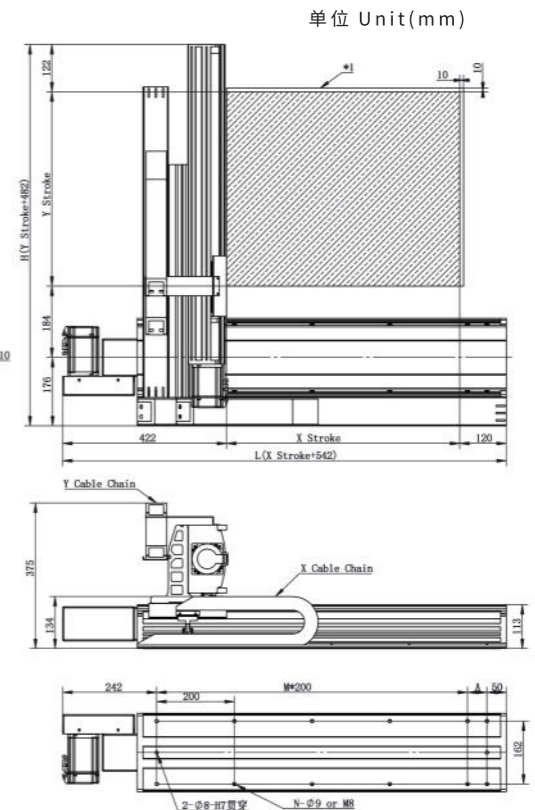
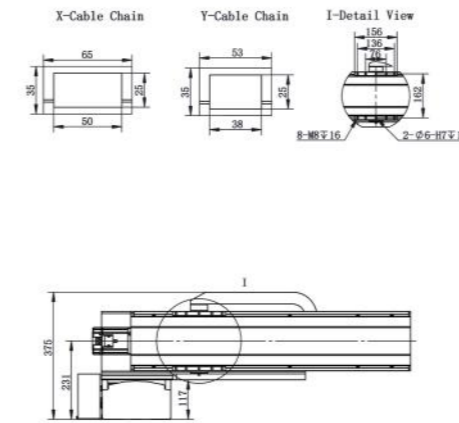
组合方向 Combination direction



补充:最快速度表示该行程内可使用的安全速度,若超过此速度,滑台可能会发生严重抖动。
Supplement: The fastest speed means the safe speed that can be used in this trip. If the speed is exceeded, the sliding table may shake seriously.



悬臂型-A2
Cantilever type -A2



*1: 原点回复时的移动范围及机械的停止位置。
The moving range of the origin and the stopping position of the machine.
*2: 电机长度根据实际情况而变动。
The length of the motor varies according to the actual situation.

多轴组合对应参数表
Multi-axis combination corresponding parameter table

项目 Item	本体宽度 Ontology width (mm)		最大速度 Maximum speed (mm/s)		最大行程 Maximum stroke (mm)		建议马达功率 Motor power (W)		重复定位精度 Repeated positioning accuracy (mm)		最大负载 Maximum load (kg)
	X轴	Y轴	X轴	Y轴	X轴	Y轴	X轴	Y轴	X轴	Y轴	Y轴
参数 Parameter	202	175	2000	1250	3050	750	750	750	±0.04	±0.02	50

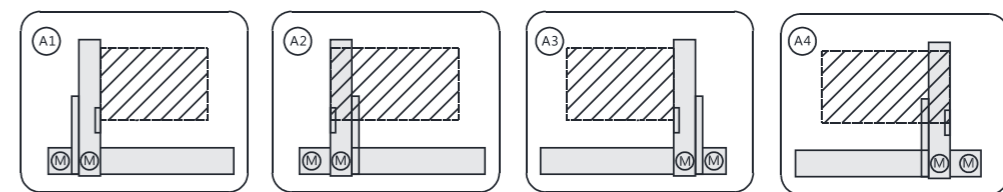
说明: Y轴行程越长, 负载越小。
Description: the longer the Y-axis stroke, the smaller the load.

X轴行程 X Stroke (mm)	550	650	750	850	950	1050	1150	1250	1350	1450	1550	1650	1750	1850	1950	2050	2150	2250	2350	2450
L	1092	1192	1292	1392	1492	1592	1692	1792	1892	1992	2092	2192	2292	2392	2492	2592	2692	2792	2892	2992
A	200	100	200	100	200	100	200	100	200	100	200	100	200	100	200	100	200	100	200	100
N	10	12	12	14	14	16	16	18	18	20	20	22	22	24	24	26	26	28	28	30
M	3	4	4	5	5	6	6	7	7	8	8	9	9	10	10	11	11	12	12	13
最快速度 Max Speed (mm/s)	2000																			

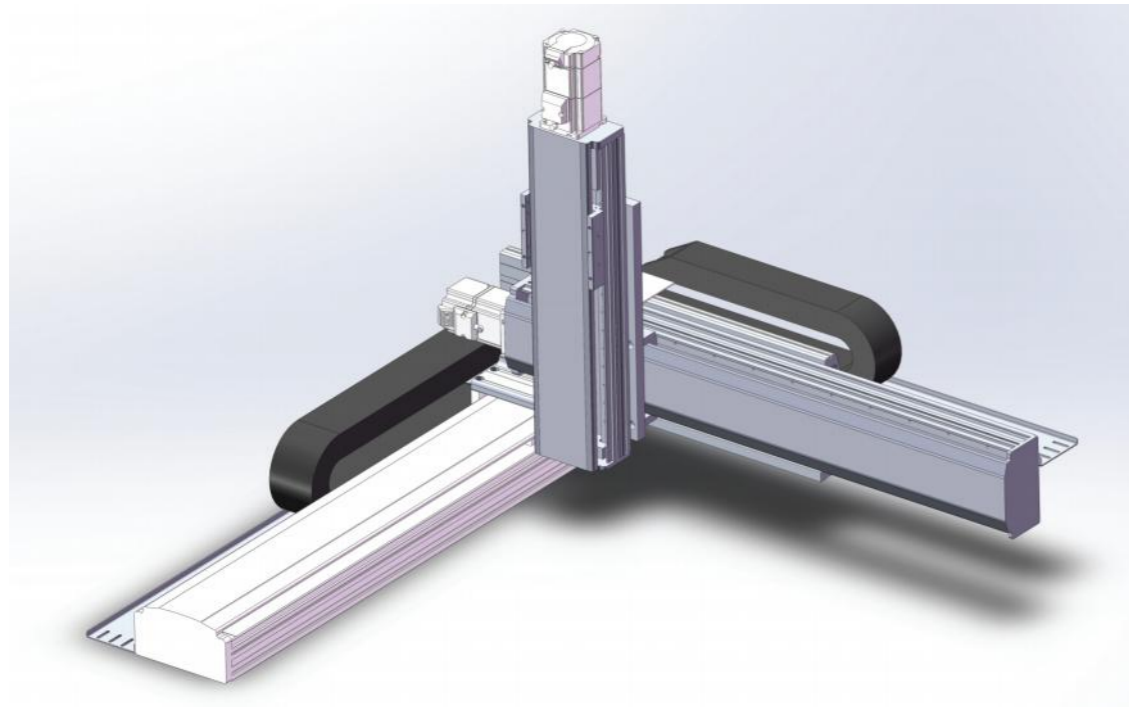
X轴行程 X Stroke (mm)	2550	2650	2750	2850	2950	3050
L	3092	3192	3292	3392	3492	3592
A	200	100	200	100	200	100
N	30	32	32	34	34	36
M	13	14	14	15	15	16
最快速度 Max Speed (mm/s)	2000					

Y轴行程 Y Stroke (mm)	100	150	200	250	300	350	400	450	500	550	600	650	700	750
H	582	632	682	732	782	832	882	932	982	1032	1082	1132	1182	1232
最快速度 Max Speed (mm/s)	1250													

组合方向 Combination direction

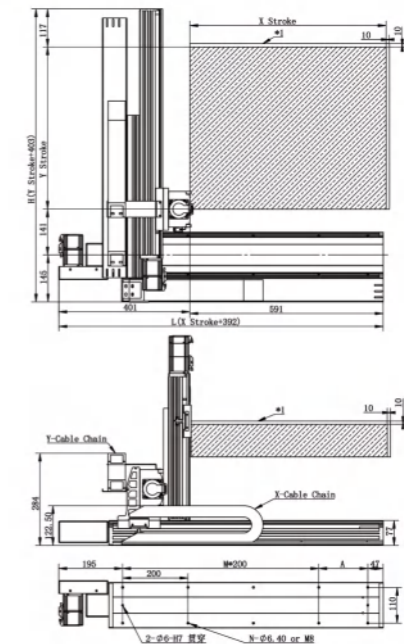
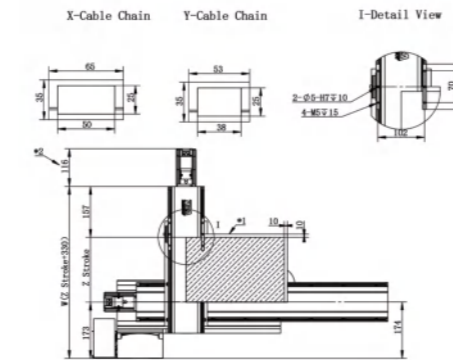


补充: 最快速度表示该行程内可使用的安全速度, 若超过此速度, 滑台可能会发生严重抖动。
Supplement: The fastest speed means the safe speed that can be used in this trip. If the speed is exceeded, the sliding table may shake seriously.



三轴悬臂型-A1
3-Axis cantilever type -A1

单位 Unit(mm)



*1: 原点回复时的移动范围及机械的停止位置。
The moving range of the origin and the stopping position of the machine.
*2: 电机长度根据实际情况而变动。
The length of the motor varies according to the actual situation.

多轴组合对应参数表
Multi-axis combination corresponding parameter table

项目 Item	本体宽度 Ontology width (mm)			最大速度 Maximum speed (mm/s)			最大行程 Maximum stroke (mm)			建议马达功率 Motor power (W)			重复定位精度 Repeated positioning accuracy (mm)			最大负载 Maximum load (kg)
	X轴	Y轴	Z轴	X轴	Y轴	Z轴	X轴	Y轴	Z轴	X轴	Y轴	Z轴	X轴	Y轴	Z轴	
参数 Parameter	140	120	110	2000	1000	1000	3050	550	350	400	200	200	±0.04	±0.02	9	

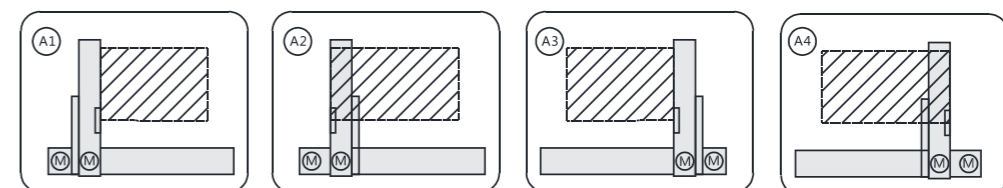
说明:Y轴行程越长,负载越小。
Description:the longer the Y-axis stroke, the smaller the load.

Y轴行程 Y Stroke(mm)	100	150	200	250	300	350	400	450	500	550	Z轴行程 Z Stroke(mm)	100	150	200	250	300	350	400	450	500	550
H	503	553	603	653	703	753	803	853	903	953	W	430	480	530	580	630	680	730	780	830	880
最快速度 Max Speed(mm/s)	1000										最快速度 Max Speed(mm/s)	1000									

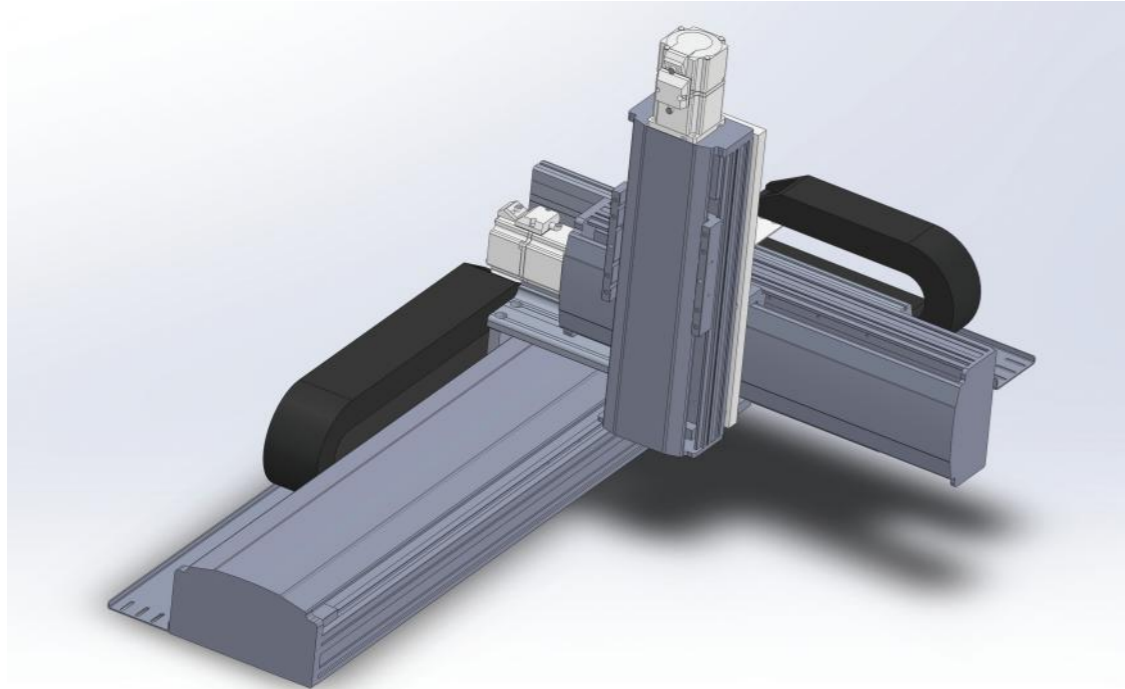
X轴行程 X Stroke(mm)	550	650	750	850	950	1050	1150	1250	1350	1450	1550	1650	1750	1850	1950	2050	2150	2250	2350	2450
L	942	1042	1142	1242	1342	1442	1542	1642	1742	1842	1942	2042	2142	2242	2342	2442	2542	2642	2742	2842
A	100	200	100	200	100	200	100	200	100	200	100	200	100	200	100	200	100	200	100	200
N	10	10	12	12	14	14	16	16	18	18	20	20	22	22	24	24	26	26	28	28
M	3	3	4	4	5	5	6	6	7	7	8	8	9	9	10	10	11	11	12	12
最快速度 Max Speed(mm/s)	2000																			

X轴行程 X Stroke(mm)	2550	2650	2750	2850	2950	3050
L	2942	3042	3142	3242	3342	3442
A	100	200	100	200	100	200
N	30	30	32	32	34	34
M	13	13	14	14	15	15
最快速度 Max Speed(mm/s)	2000					

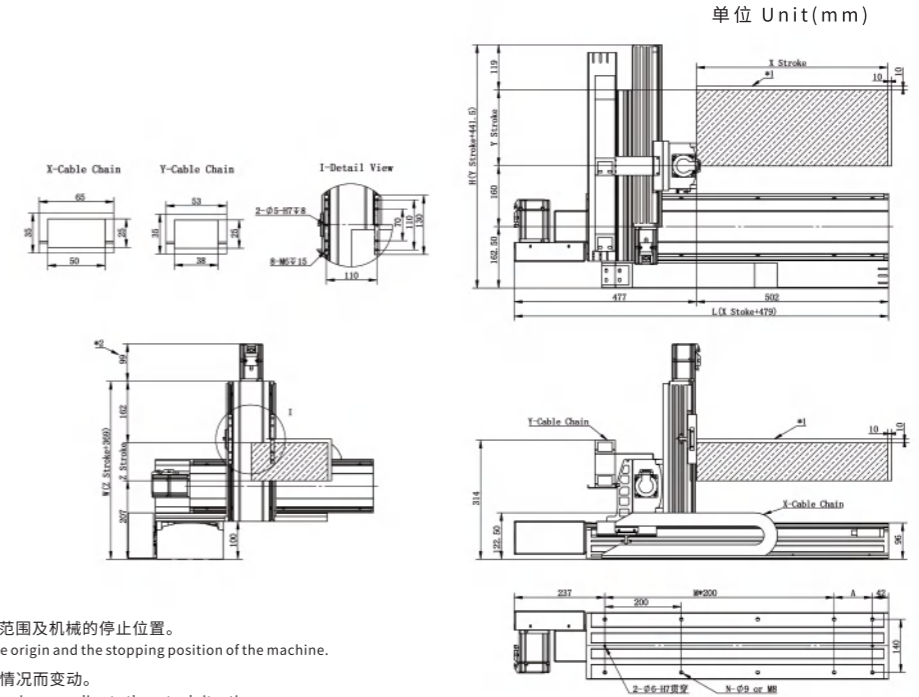
组合方向 Combination direction



补充:最快速度表示该行程内可使用的安全速度,若超过此速度,滑台可能会发生严重抖动。
Supplement: The fastest speed means the safe speed that can be used in this trip. If the speed is exceeded, the sliding table may shake seriously.



悬臂型-A1
Cantilever type -A1



单位 Unit(mm)

*1: 原点回复时的移动范围及机械的停止位置。
The moving range of the origin and the stopping position of the machine.
*2: 电机长度根据实际情况而变动。
The length of the motor varies according to the actual situation.

多轴组合对应参数表
Multi-axis combination corresponding parameter table

项目 Item	本体宽度 Ontology width (mm)			最大速度 Maximum speed (mm/s)			最大行程 Maximum stroke (mm)			建议马达功率 Motor power (W)			重复定位精度 Repeated positioning accuracy (mm)			最大负载 Maximum load (kg)
	X轴	Y轴	Z轴	X轴	Y轴	Z轴	X轴	Y轴	Z轴	X轴	Y轴	Z轴	X轴	Y轴	Z轴	
参数 Parameter	175	140	120	2000	1000	1000	3050	650	350	750	400	200	±0.04	±0.02	14	

说明: Y轴行程越长, 负载越小。
Description: the longer the Y-axis stroke, the smaller the load.

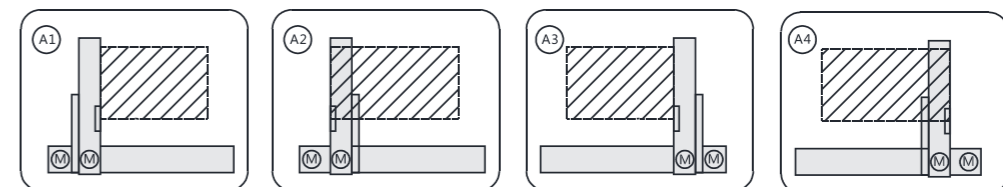
Y轴行程 Y Stroke (mm)	100	150	200	250	300	350	400	450	500	550	600	650
H	541.5	591.5	641.5	691.5	741.5	791.5	841.5	891.5	941.5	991.5	1042	1092
最快速度 Max Speed (mm/s)	1000											

Z轴行程 Z Stroke (mm)	100	150	200	250	300	350
W	469	519	569	619	669	719
最快速度 Max Speed (mm/s)	1000					

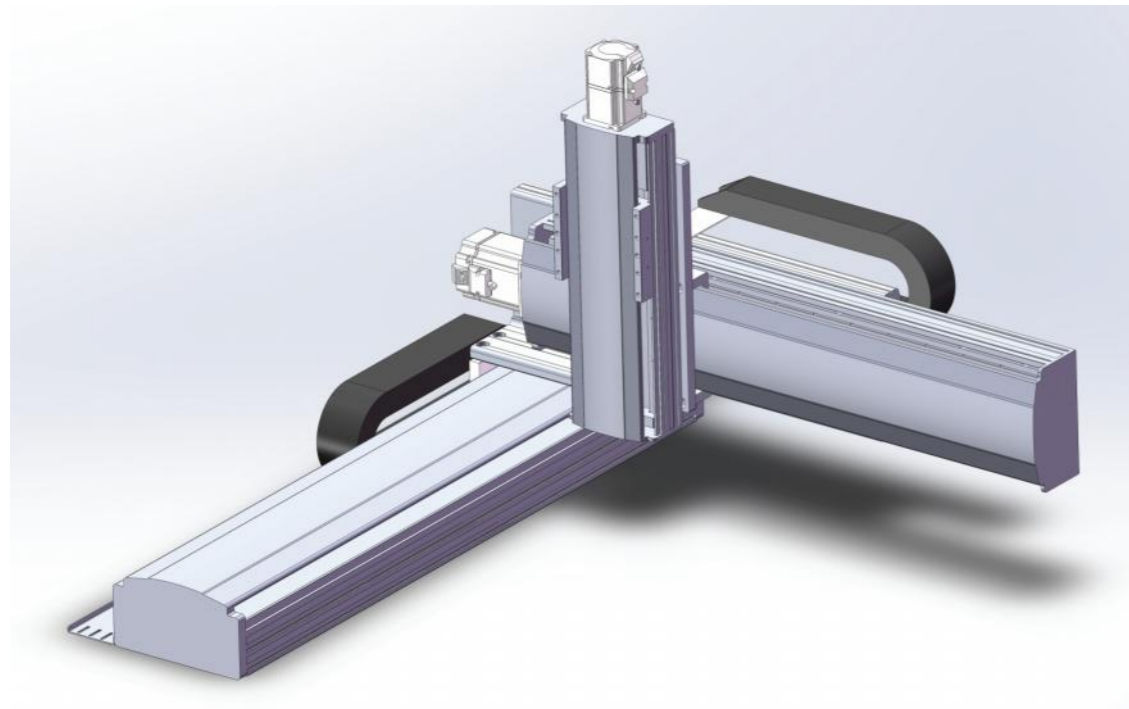
X轴行程 X Stroke (mm)	550	650	750	850	950	1050	1150	1250	1350	1450	1550	1650	1750	1850	1950	2050	2150	2250	2350	2450	
L	1092	1192	1292	1392	1492	1592	1692	1792	1892	1992	2092	2192	2292	2392	2492	2592	2692	2792	2892	2992	
A	150	50	150	50	150	50	150	50	150	50	150	50	150	50	150	50	150	50	150	50	
N	10	12	12	14	14	16	16	18	18	20	20	22	22	24	24	26	26	28	28	30	
M	3	3	4	4	5	5	6	6	7	7	8	8	9	9	10	10	11	11	12	12	
最快速度 Max Speed (mm/s)	2000																				

X轴行程 X Stroke (mm)	2550	2650	2750	2850	2950	3050
L	3092	3192	3292	3392	3492	3592
A	150	50	150	50	150	50
N	30	32	32	34	34	36
M	13	13	14	14	15	15
最快速度 Max Speed (mm/s)	2000					

组合方向 Combination direction

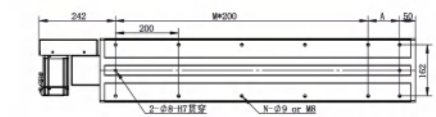
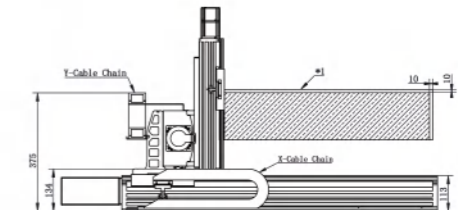
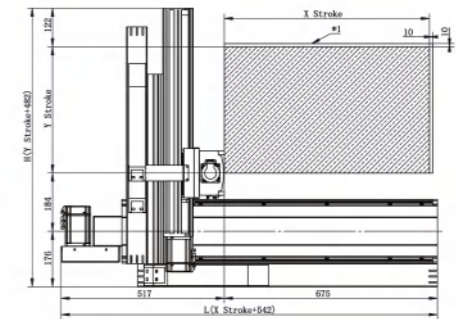
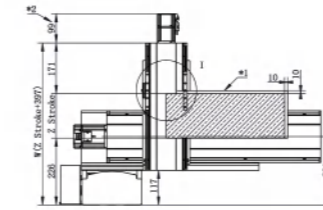
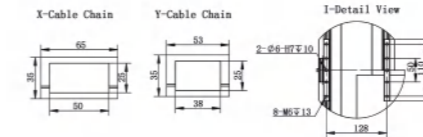


补充: 最快速度表示该行程内可使用的安全速度, 若超过此速度, 滑台可能会发生严重抖动。
Supplement: The fastest speed means the safe speed that can be used in this trip. If the speed is exceeded, the sliding table may shake seriously.



三轴悬臂型-A1
3-Axis cantilever type -A1

单位 Unit(mm)



*1: 原点回复时的移动范围及机械的停止位置。
The moving range of the origin and the stopping position of the machine.
*2: 电机长度根据实际情况而变动。
The length of the motor varies according to the actual situation.

Y 轴行程 Y Stroke(mm)	100	150	200	250	300	350	400	450	500	550	600	650
H	582	632	682	732	782	832	882	932	982	1032	1082	1132
最快速度 Max Speed(mm/s)	1250											

Z 轴行程 Z Stroke(mm)	100	150	200	250	300	350	400	450	500	550
W	497	547	597	647	697	747	797	847	897	947
最快速度 Max Speed(mm/s)	1000									

多轴组合对应参数表
Multi-axis combination corresponding parameter table

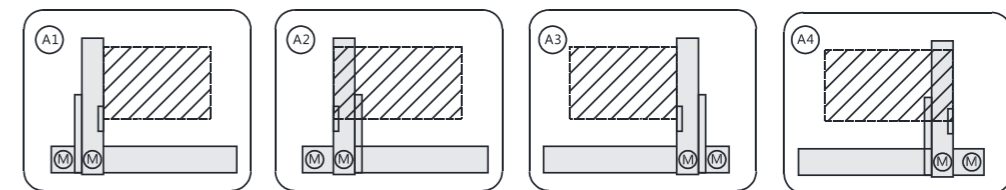
项目 Item	本体宽度 Ontology width (mm)			最大速度 Maximum speed (mm/s)			最大行程 Maximum stroke (mm)			建议马达功率 Motor power (W)			重复定位精度 Repeated positioning accuracy (mm)			最大负载 Maximum load (kg)
	X轴	Y轴	Z轴	X轴	Y轴	Z轴	X轴	Y轴	Z轴	X轴	Y轴	Z轴	X轴	Y轴	Z轴	Z轴
参数 Parameter	202	175	140	2000	1250	1000	3050	650	550	750	750	400	±0.04	±0.02		22

说明:Y轴行程越长,负载越小。
Description:the longer the Y-axis stroke, the smaller the load.

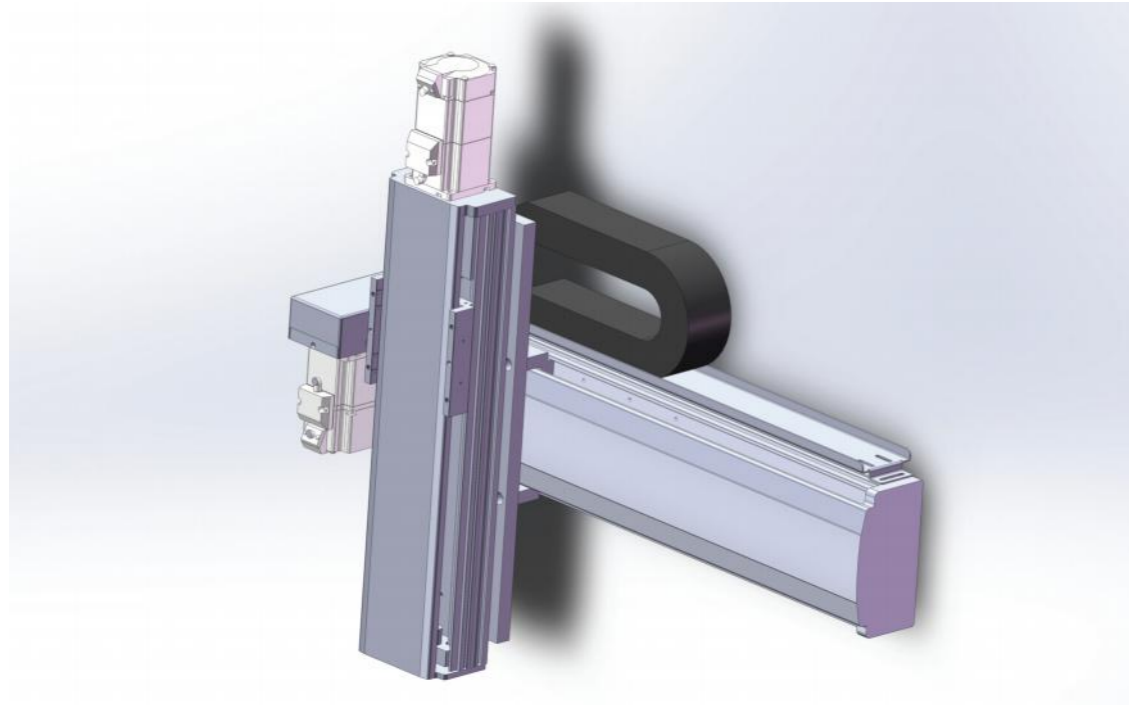
X 轴行程 X Stroke(mm)	550	650	750	850	950	1050	1150	1250	1350	1450	1550	1650	1750	1850	1950	2050	2150	2250	2350	2450
L	1092	1192	1292	1392	1492	1592	1692	1792	1892	1992	2092	2192	2292	2392	2492	2592	2692	2792	2892	2992
A	200	100	200	100	200	100	200	100	200	100	200	100	200	100	200	100	200	100	200	100
N	10	12	12	14	14	16	16	18	18	20	20	22	22	24	24	26	26	28	28	30
M	3	4	4	5	5	6	6	7	7	8	8	9	9	10	10	11	11	12	12	13
最快速度 Max Speed(mm/s)	2000																			

X 轴行程 X Stroke(mm)	2550	2650	2750	2850	2950	3050
L	3092	3192	3292	3392	3492	3592
A	200	100	200	100	200	100
N	30	32	32	34	34	36
M	13	14	14	15	15	16
最快速度 Max Speed(mm/s)	2000					

组合方向 Combination direction

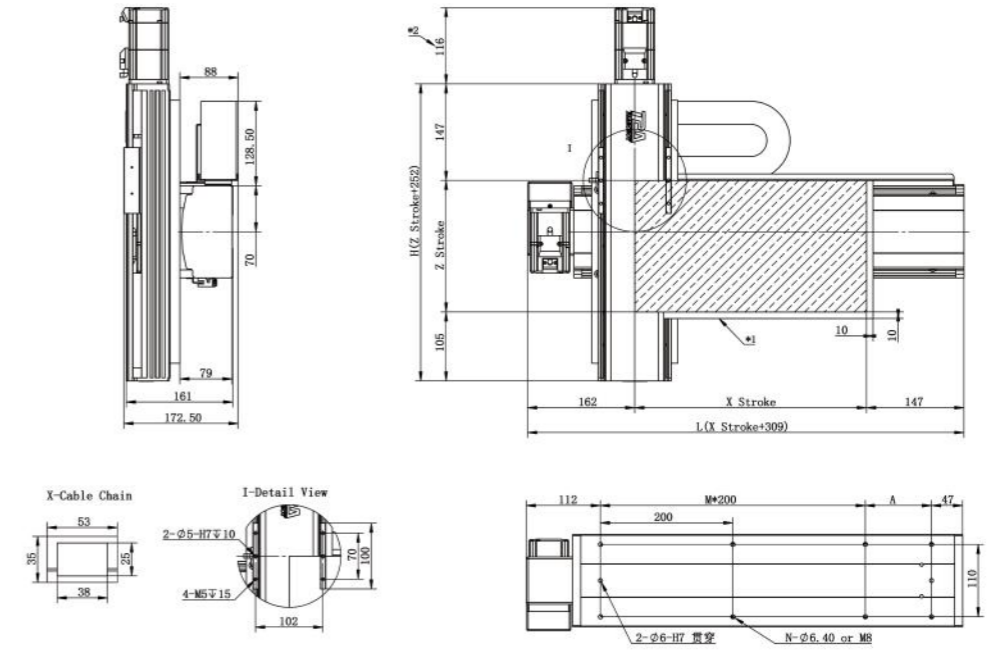


补充:最快速度表示该行程内可使用的安全速度,若超过此速度,滑台可能会发生严重抖动。
Supplement: The fastest speed means the safe speed that can be used in this trip. If the speed is exceeded, the sliding table may shake seriously.



十字型-F1
Cross type -F1

单位 Unit(mm)



*1: 原点回复时的移动范围及机械的停止位置。
The moving range of the origin and the stopping position of the machine.
*2: 电机长度根据实际情况而变动。
The length of the motor varies according to the actual situation.

多轴组合对应参数表
Multi-axis combination corresponding parameter table

项目 Item	本体宽度 Ontology width (mm)		最大速度 Maximum speed (mm/s)		最大行程 Maximum stroke (mm)		建议马达功率 Motor power (W)		重复定位精度 Repeated positioning accuracy (mm)		最大负载 Maximum load (kg)
	X轴	Z轴	X轴	Z轴	X轴	Z轴	X轴	Z轴	X轴	Z轴	Z轴
参数 Parameter	140	110	2000	1000	3050	350	400	200	±0.04	±0.02	8

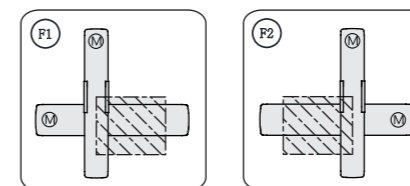
说明:Y轴行程越长,负载越小。
Description:the longer the Y-axis stroke, the smaller the load.

X轴行程 X Stroke(mm)	550	650	750	850	950	1050	1150	1250	1350	1450	1550	1650	1750	1850	1950	2050	2150	2250	2350	2450
L	859	959	1059	1159	1259	1359	1459	1559	1659	1759	1859	1959	2059	2159	2259	2359	2459	2559	2659	2759
A	100	200	100	200	100	200	100	200	100	200	100	200	100	200	100	200	100	200	100	200
N	10	10	12	12	14	14	16	16	18	18	20	20	22	22	24	24	26	26	28	28
M	3	3	4	4	5	5	6	6	7	7	8	8	9	9	10	10	11	11	12	12
最快速度 Max Speed(mm/s)	2000																			

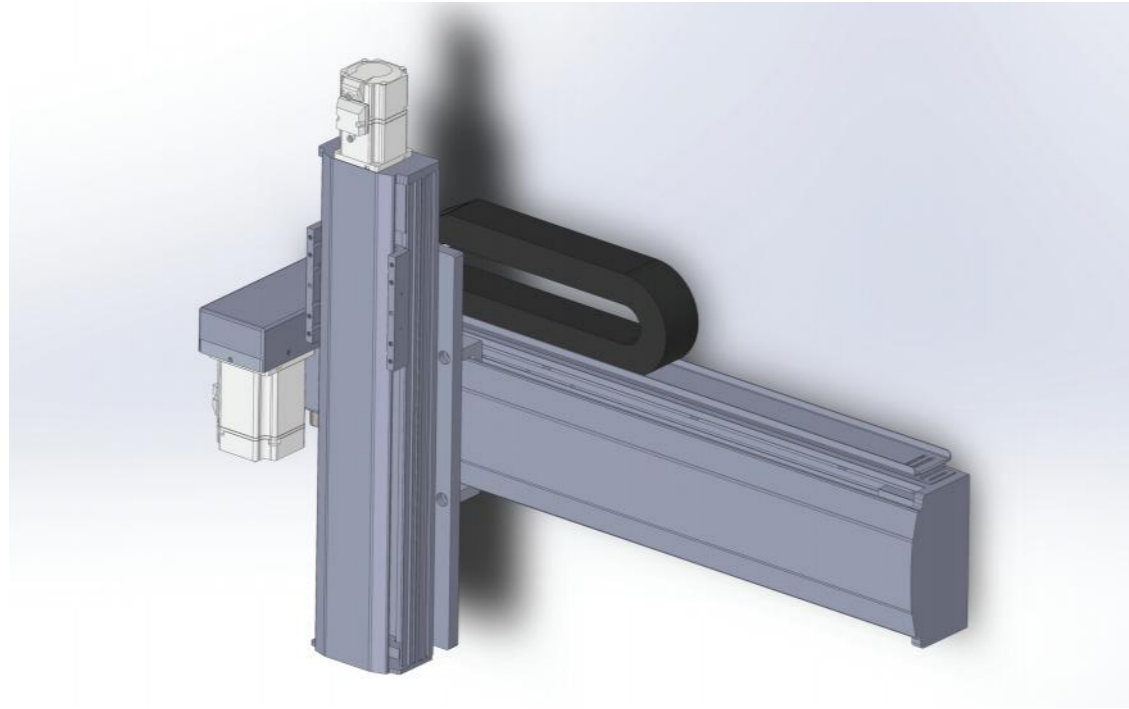
X轴行程 X Stroke(mm)	2550	2650	2750	2850	2950	3050
L	2859	2959	3059	3159	3259	3359
A	100	200	100	200	100	200
N	30	30	32	32	34	34
M	13	13	14	14	15	15
最快速度 Max Speed(mm/s)	2000					

Z轴行程 Z Stroke(mm)	100	150	200	250	300	350
W	352	402	452	502	552	602
最快速度 Max Speed(mm/s)	1000					

组合方向 Combination direction

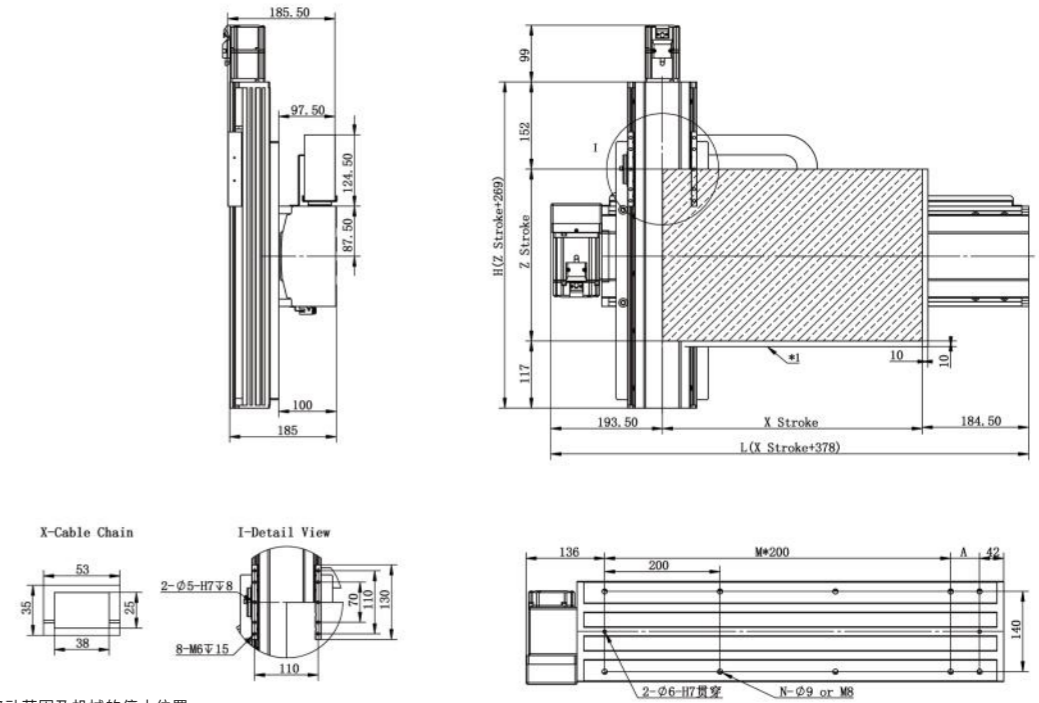


补充:最快速度表示该行程内可使用的安全速度,若超过此速度,滑台可能会发生严重抖动。
Supplement: The fastest speed means the safe speed that can be used in this trip. If the speed is exceeded, the sliding table may shake seriously.



十字型-F1
Cross type -F1

单位 Unit(mm)



*1: 原点回复时的移动范围及机械的停止位置。
The moving range of the origin and the stopping position of the machine.

*2: 电机长度根据实际情况而变动。
The length of the motor varies according to the actual situation.

多轴组合对应参数表
Multi-axis combination corresponding parameter table

项目 Item	本体宽度 Ontology width (mm)		最大速度 Maximum speed (mm/s)		最大行程 Maximum stroke (mm)		建议马达功率 Motor power (W)		重复定位精度 Repeated positioning accuracy (mm)		最大负载 Maximum load (kg)
	X轴	Z轴	X轴	Z轴	X轴	Z轴	X轴	Z轴	X轴	Z轴	Z轴
参数 Parameter	175	120	2000	1000	3050	350	750	200	±0.04	±0.02	15

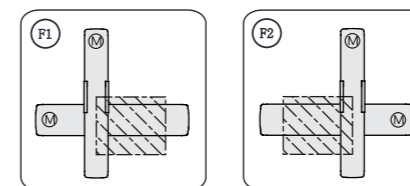
说明:Y轴行程越长,负载越小。
Description:the longer the Y-axis stroke, the smaller the load.

X轴行程 X Stroke(mm)	550	650	750	850	950	1050	1150	1250	1350	1450	1550	1650	1750	1850	1950	2050	2150	2250	2350	2450
L	928	1028	1128	1228	1328	1428	1528	1628	1728	1828	1928	2028	2128	2228	2328	2428	2528	2628	2728	2828
A	150	50	150	50	150	50	150	50	150	50	150	50	150	50	150	50	150	50	150	50
N	10	12	12	14	14	16	16	18	18	20	20	22	22	24	24	26	26	28	28	30
M	3	4	4	5	5	6	6	7	7	8	8	9	9	10	10	11	11	12	12	13
最快速度 Max Speed(mm/s)	2000																			

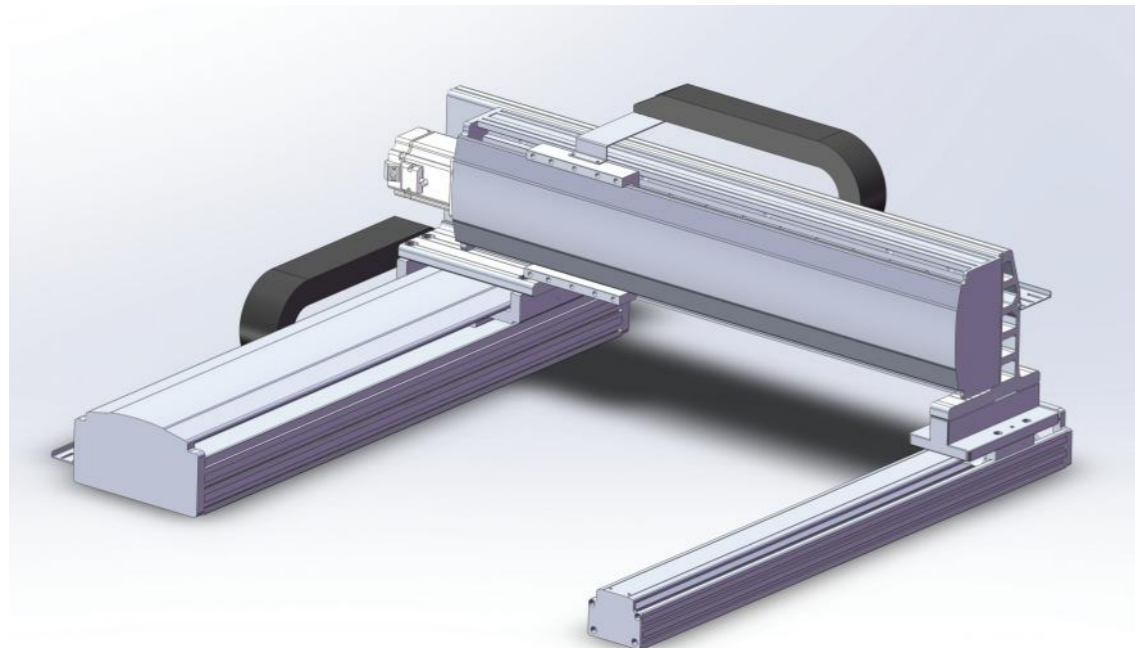
X轴行程 X Stroke(mm)	2550	2650	2750	2850	2950	3050
L	2928	3028	3128	3228	3328	3428
A	150	50	150	50	150	50
N	30	32	32	34	34	36
M	13	14	14	15	15	16
最快速度 Max Speed(mm/s)	2000					

Z轴行程 Z Stroke(mm)	100	150	200	250	300	350
W	369	519	419	469	569	619
最快速度 Max Speed(mm/s)	1000					

组合方向 Combination direction

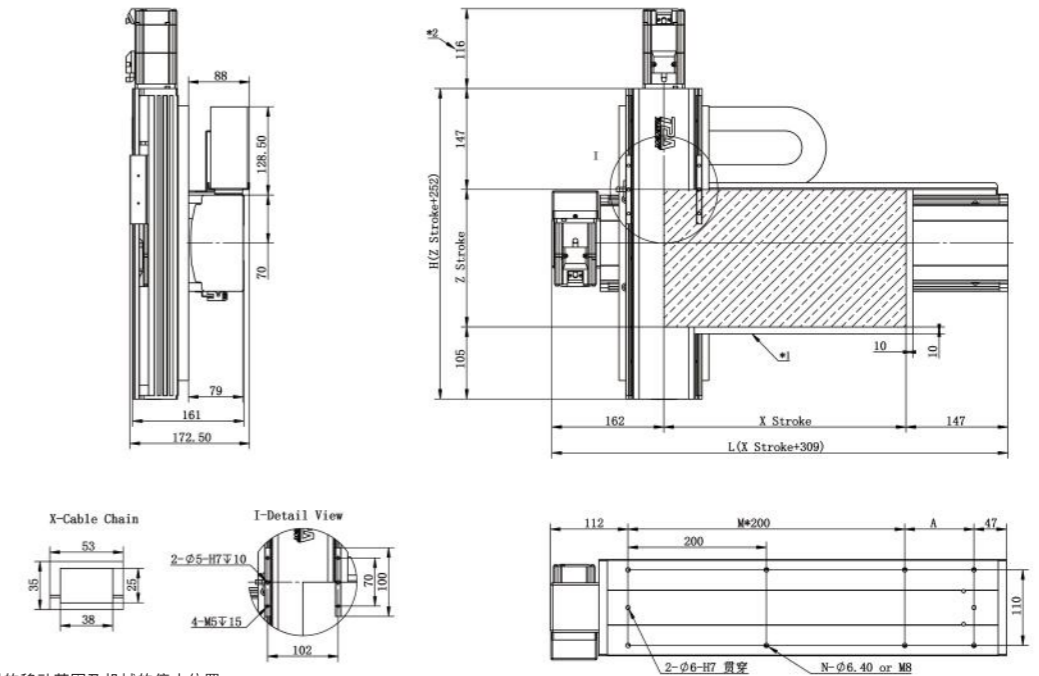


补充:最快速度表示该行程内可使用的安全速度,若超过此速度,滑台可能会发生严重抖动。
Supplement: The fastest speed means the safe speed that can be used in this trip. If the speed is exceeded, the sliding table may shake seriously.



龙门型-G1
Gantry type -G1

单位 Unit(mm)



*1: 原点回复时的移动范围及机械的停止位置。
The moving range of the origin and the stopping position of the machine.
*2: 电机长度根据实际情况而变动。
The length of the motor varies according to the actual situation.

多轴组合对应参数表
Multi-axis combination corresponding parameter table

项目 Item	本体宽度 Ontology width (mm)		最大速度 Maximum speed (mm/s)		最大行程 Maximum stroke (mm)		建议马达功率 Motor power (W)		重复定位精度 Repeated positioning accuracy (mm)		最大负载 Maximum load (kg)
	X轴	Y轴	X轴	Y轴	X轴	Y轴	X轴	Y轴	X轴	Y轴	Y轴
参数 Parameter	202	175	2000	1250	3050	750	750	750	±0.04	±0.02	50

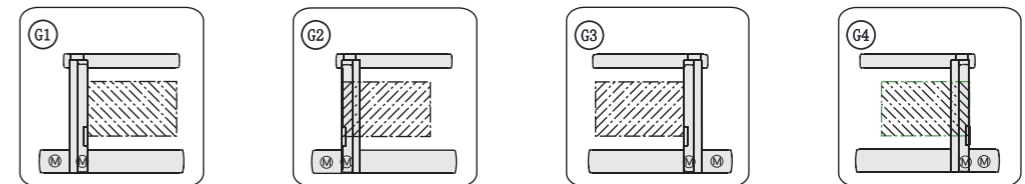
说明:Y轴行程越长,负载越小。
Description:the longer the Y-axis stroke, the smaller the load.

X轴行程 X Stroke(mm)	550	650	750	850	950	1050	1150	1250	1350	1450	1550	1650	1750	1850	1950	2050	2150	2250	2350	2450
L	990	1090	1190	1290	1390	1490	1590	1690	1790	1890	1990	2090	2190	2290	2390	2490	2590	2690	2790	2890
A	200	100	200	100	200	100	200	100	200	100	200	100	200	100	200	100	200	100	200	100
N	10	12	12	14	14	16	16	18	18	20	20	22	22	24	24	26	26	28	28	30
M	3	4	4	5	5	6	6	7	7	8	8	9	9	10	10	11	11	12	12	13
最快速度 Max Speed(mm/s)	2000																			

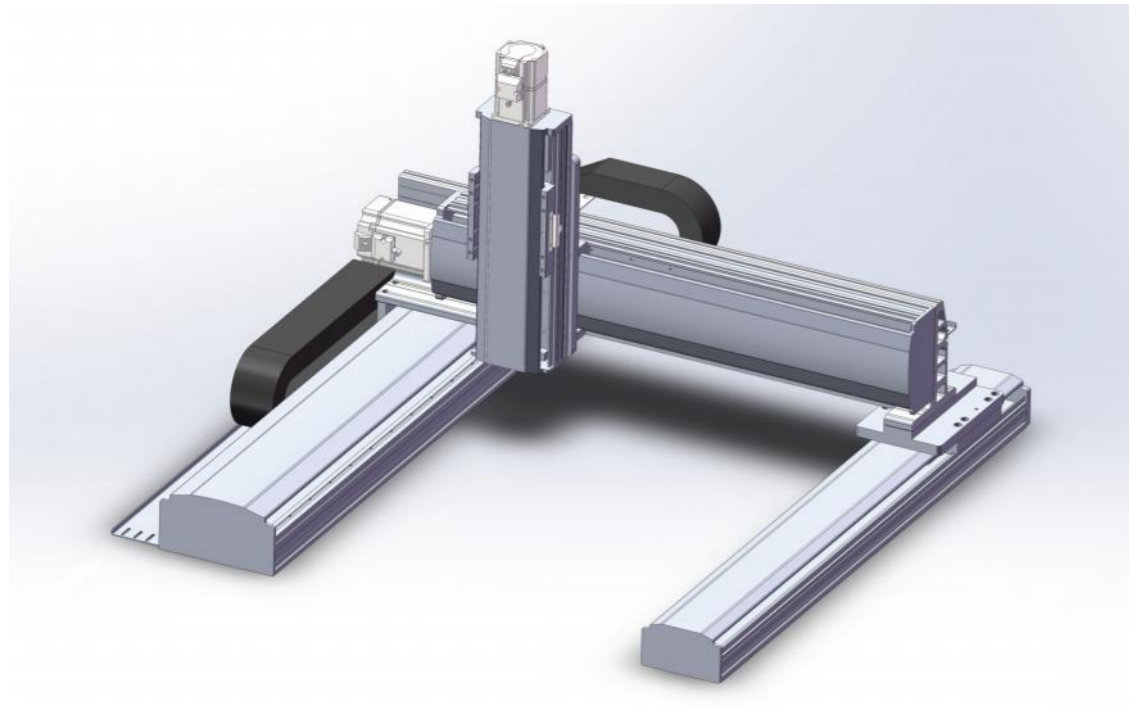
X轴行程 X Stroke(mm)	2550	2650	2750	2850	2950	3050
L	2990	3090	3190	3290	3390	3490
A	200	100	200	100	200	100
N	30	32	32	34	34	36
M	13	14	14	15	15	16
最快速度 Max Speed(mm/s)	2000					

Y轴行程 Y Stroke(mm)	100	150	200	250	300	350	400	450	500	550	600	650	700	750
H	603	653	703	753	803	853	903	953	1003	1053	1103	1153	1203	1253
最快速度 Max Speed(mm/s)	1250													

组合方向 Combination direction

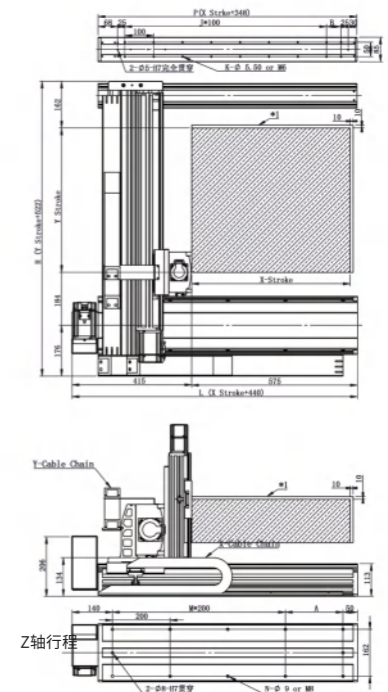
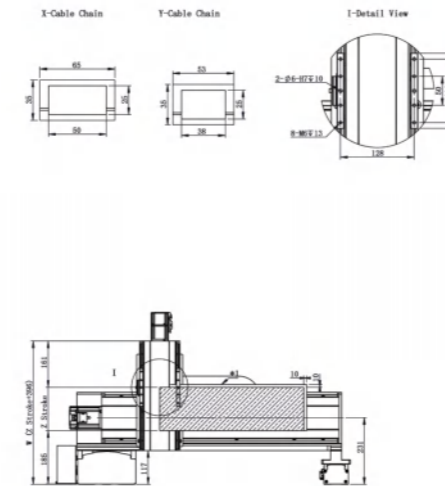


补充:最快速度表示该行程内可使用的安全速度,若超过此速度,滑台可能会发生严重抖动。
Supplement: The fastest speed means the safe speed that can be used in this trip. If the speed is exceeded, the sliding table may shake seriously.



龙门型-G1
Gantry type -G1

单位 Unit(mm)



*1: 原点回复时的移动范围及机械的停止位置。
The moving range of the origin and the stopping position of the machine.
*2: 电机长度根据实际情况而变动。
The length of the motor varies according to the actual situation.

Y 轴行程 Y Stroke(mm)	100	150	200	250	300	350	400	450	500	550	600	650	700	750
H	622	672	722	772	822	872	922	972	1022	1072	1122	1172	1222	1272
最快速度 Max Speed(mm/s)	1250													

Z 轴行程 Z Stroke(mm)	100	150	200	250	300	350	400	450	500	550
W	496	546	596	646	696	746	796	846	896	946
最快速度 Max Speed(mm/s)	1000									

多轴组合对应参数表
Multi-axis combination corresponding parameter table

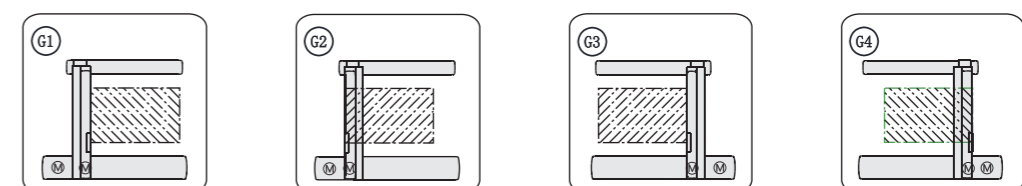
项目 Item	本体宽度 Ontology width (mm)			最大速度 Maximum speed (mm/s)			最大行程 Maximum stroke (mm)			建议马达功率 Motor power (W)			重复定位精度 Repeated positioning accuracy (mm)			最大负载 Maximum load (kg)
	X轴	Y轴	Z轴	X轴	Y轴	Z轴	X轴	Y轴	Z轴	X轴	Y轴	Z轴	X轴	Y轴	Z轴	Z轴
参数 Parameter	202	175	140	2000	1250	1000	3050	750	550	750	750	400	±0.04	±0.02		22

说明:Y轴行程越长,负载越小。
Description:the longer the Y-axis stroke, the smaller the load.

X 轴行程 X Stroke(mm)	550	650	750	850	950	1050	1150	1250	1350	1450	1550	1650	1750	1850	1950	2050	2150	2250	2350	2450
L	990	1090	1190	1290	1390	1490	1590	1690	1790	1890	1990	2090	2190	2290	2390	2490	2590	2690	2790	2890
A	200	100	200	100	200	100	200	100	200	100	200	100	200	100	200	100	200	100	200	100
N	10	12	12	14	14	16	16	18	18	20	20	22	22	24	24	26	26	28	28	30
M	3	4	4	5	5	6	6	7	7	8	8	9	9	10	10	11	11	12	12	13
最快速度 Max Speed(mm/s)	2000																			

X 轴行程 X Stroke(mm)	2550	2650	2750	2850	2950	3050
L	2990	3090	3190	3290	3390	3490
A	200	100	200	100	200	100
N	30	32	32	34	34	36
M	13	14	14	15	15	16
最快速度 Max Speed(mm/s)	2000					

组合方向 Combination direction



补充: 最快速度表示该行程内可使用的安全速度,若超过此速度,滑台可能会发生严重抖动。
Supplement: The fastest speed means the safe speed that can be used in this trip. If the speed is exceeded, the sliding table may shake seriously.

减速机

Reducer

当使用上有低转速的运转需求时,则可使用减速机来降低马达回转速度,且可避免低速时不稳定运转。此外减速机能提高输出扭矩,扭矩输出比例按马达输出乘减速比,选配时需要注意不能超出减速机额定扭矩。

When there is a need for low-speed operation, a reducer can be used to reduce the rotation speed of the motor, and unstable operation at low speed can be avoided. In addition, the reducer can improve the output torque, torque The output ratio is multiplied by the reduction ratio according to the motor output, and attention should be paid in the selection not to exceed the rated torque of the reducer.

减速范例:3000rpm的马达,搭配上减速比1:5的减速机,即3000/5=600rpm=10rps。

其速度为:(导程×转速)200×10=2000MM/S。

Example of deceleration: 3000rpm motor, matched with reducer with 1:5 upper reduction ratio, that is, 3000/5 = 600 rpm = 10 RPS.

Its speed is: (lead x rotation speed) 200x10 = 2000MM/s.

※减速机会有高温产生,如果接触将有可能造成人员烫伤。所以接触检查等情况时,请切断控制器电源,静待片刻并在确认温度下降之后再行接触。如果有任何减速机搭配上的疑问,请与本公司联系。

※There is high temperature in the deceleration opportunity, and it may cause scalding if contacted. Therefore, please cut off the power supply of the controller and be quiet during contact inspection. Wait for a moment and make contact after confirming the temperature drop. If you have any questions about the matching of reducers, please contact our company.

减速机参考资料 Reducer reference



厂牌Brand	型号Model
APEX	AB060
	AB090
TWPX	PS060
	PS090
CST	RH060
	RH092
PHT	DS060
GTC	GNP60

滑台选配时可应使用需求,选择加装减速机,上列附表为减速机厂牌以及型号;而其详细规格尺寸信息,请参阅各厂牌规格。

When selecting the sliding table, you can choose to install the reducer according to the use requirements. The attached table above shows the brand and model of the reducer. And its detailed specification and size information, Please refer to the specifications of each brand.

伺服电机计算 Calculations about servo motors

A-电机扭矩计算公式: A- motor torque calculation formula:

$$T=9.5 \times P/N$$

T=电机扭矩 T = motor torque

P=电机功率 P = motor power

N=电机转速 N = motor speed

B-螺杆推力计算公式: B- Screw thrust calculation formula:

$$F=T_m \times 2 \times \pi \times \eta / S$$

F=螺杆推力 F=Ball screw thrust

T_m=入力扭矩 T_m=Force torque

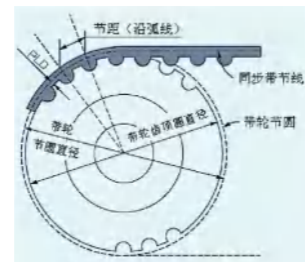
η=马达正效率 η=Positive efficiency of motor

S=螺杆导程 S=Lead of ball screw

C-皮带轮导程计算公式: B- pulley lead calculation formula:

节圆直径PD=节距×齿数/π

Pitch diameter PD=pitch × number of teeth/π



滚珠螺杆精度等级

Accuracy grade of ball screw

滚珠螺杆(示意图)

Ball screw(schematic diagram)



滚珠螺杆国际标准精度等级(单位:0.001mm)

International standard accuracy grade of ball screw

等级Class	ISO, DIN	研磨级Grinding grade						转造级Rolling grade			
		C0	C1	C2	C3	C4	C5	C6	C7	C8	C10
V300	TBI/PMI	3.5	5	-	8	-	18	-	50	-	210
	HIWIN	3.5	5	6	8	12	18	23	50	100	210

螺杆外径、精度与制造长度对照表(单位:mm)

Diameter, accuracy and manufacturing length of ball screw

精度等级 Accuracy	外径Diameter									
	6	8	10	12	16	20	25	28	32	
C3	170	250	500	630	1000	1400	1800	2000	2500	
C4	170	250	500	630	1000	1400	1800	2000	2500	
C5	170	250	500	630	1410	1700	2400	2500	3000	
C6	400	800	1000	1200	1500	1800	2500	3000	3000	
C7	400	800	1000	1200	3000	3000	4000	4000	4500	

精度等级 Accuracy	外径Diameter									
	36	40	45	50	55	63	70	80	100	
C3	3200	3500	4000	4500	5000	6000	7100	10000	10000	
C4	3200	3500	4000	4500	5000	6000	7100	10000	10000	
C5	3200	3800	4000	5000	5500	6900	7100	10000	10000	
C6	4000	4000	4000	5600	5600	6900	7100	10000	10000	
C7	4500	5600	5600	5600	5600	6900	7100	10000	10000	

• 选配螺杆型滑台时,可应实际使用需求选配螺杆等级,下表为螺杆等级使用推荐表

When selecting the screw slide table, the screw grade can be selected according to the actual use requirements. The following table is the recommendation table for the use of screw grade.

用途Use	精密等级Accuracy	
	C5	C7
专用机Special machine	●	
木工机Woodworking machine		●
机械手臂(一般级) Robot Arm(General Grade)	●	●
传统机械Traditional machinery	●	
搬送装置Transport device	●	●
X-Y平台 X-Y stage	●	
阀门Valve		●
动力转向器Power steering gear		●
玻璃研磨机Glass grinder	●	
表面研磨机Surface grinder	●	
半导体设备Semiconductor equipment		●
全电式射出成形机 All electric injection molding	●	●



联轴器

Coupling

膜片联轴器安装注意说明 Notes on Installation of Diaphragm Coupling

锁付螺丝时有相对应之锁固力, 请参阅下表, 切勿过度施力或是未锁紧。
locking force when locking screws, please refer to the following table, do not overexert or unlocked.

在夹紧螺丝处于松动状态下, 请确认联轴器是否能沿轴向和旋转方向轻轻移动。如果不能平稳移动的话, 需重新调整两个轴的同轴度(马达锁固螺丝)。

When the clamping screw is loose, please confirm whether the coupling can move slightly in the axial and rotational directions. If you can't move smoothly, you need to readjust two. Concentricity of shaft (motor locking screw).

两个轴的同轴度若差异太大时, 将产生异响或是造成联轴器损坏。
If the concentricity of the 2 axes is too large, it will cause abnormal sound or cause damage to the coupling.

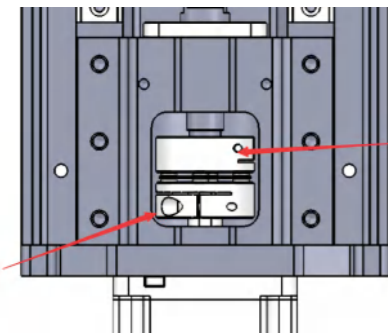


图1 Figure 1

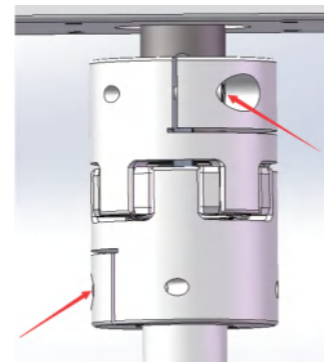
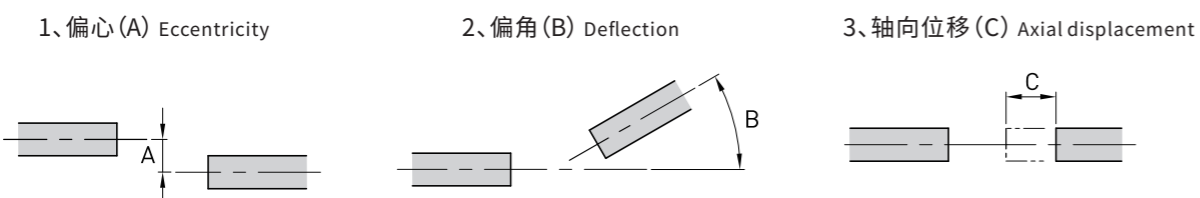


图2 Figure 2

尺寸 Size	夹紧螺栓 Clamping bolt	锁紧扭矩 Locking torque (N·m)
20	M2.5	1.0~1.1
25	M2.5	1.0~1.1
30	M3	1.5~1.9
35	M4	3.4~4.1
40	M4	3.4~4.1
50	M5	7.0~8.5

如图1、2先套上联轴器, 用手先转动, 检测同心度, 然后按照左图扭力锁紧螺丝。
As shown in figure 1、2, first put on the coupling, turn it by hand to detect the concentricity, and then lock the screw according to the torsional force in the left figure.

螺杆肩部与电机轴两轴组时, 需注意以下三种基本偏差, 说明图示如下:
When assembling the screw and the motor shaft, the following three basic deviations should be paid attention to. The illustration is as follows:



若自行购买马达安装, 安装联轴器时需特别注意下列几点:
◆ 锁付螺丝时相对应之锁固力, 请参阅右表, 切勿过度施力或是未锁紧。
◆ 在夹紧螺丝虽处于松动状态下, 请确认联轴器是否能沿轴向和旋转方向轻轻移动。如果不能平稳移动的话, 需重新调整2个轴的同轴度(马达锁固螺丝)。
◆ 2个轴的同轴度若差异太大时, 将产生异响或是造成联轴器损坏。
※调整2个轴的对心若有问题时, 请与本公司联络。

If you purchase the motor for installation by yourself, pay special attention to the following points when installing the coupling:
◆ Please refer to the right table for the corresponding locking force when locking screws. Do not apply excessive force or unlock them.
◆ Although the clamping screw is loose, please confirm whether the coupling can be light in the axial and rotational directions. Move lightly. If it can't move smoothly, it is necessary to readjust the concentricity of the two shafts (motor locking screws).
◆ If the concentricity of two shafts is too different, abnormal sound will be produced or the coupling will be damaged.
※If there is any problem in adjusting the alignment of two axes, please contact our company.

夹紧螺栓 The clamping bolt	锁紧扭矩 Locking torque (N·m)
M2.5	1.0~1.1
M2.5	1.0~1.1
M3	1.5~1.9
M4	3.4~4.1
M4	3.4~4.1
M5	7.0~8.5

联轴器参考资料 Reference data of coupling

型号 Model	容许扭矩 Permissible torque [N·m]	最大容许误差 Maximum permissible error			最高转速 Max speed [min ⁻¹]	扭转弹性 Torsional elasticity [N·m/rad]	轴向弹性 Axial elasticity [N·m/rad]	转动惯量 Moment of inertia [kg·m ²]	质量 Weight [kg]
		偏心 Eccentricity [mm]	偏角 Declination [°]	轴向位移 Axial displacement [mm]					
SFC-005SA2	0.5	0.02	0.5	±0.05	10000	500	140	0.25x10 ⁻⁶	0.007
SFC-010SA2	0.8	0.02	1	±0.1	10000	1400	140	0.58x10 ⁻⁶	0.011
SFC-020SA2	1.5	0.02	1	±0.15	10000	3700	64	2.36x10 ⁻⁶	0.025
SFC-030SA2	4	0.02	1	±0.2	10000	8000	64	4.00x10 ⁻⁶	0.033
								6.06x10 ⁻⁶	0.041
								8.12x10 ⁻⁶	0.049
SFC-035SA2	6	0.02	1	±0.25	10000	18000	112	18.43x10 ⁻⁶	0.084
SFC-040SA2	10	0.02	1	±0.3	10000	20000	80	16.42x10 ⁻⁶	0.076
								22.98x10 ⁻⁶	0.09
								29.53x10 ⁻⁶	0.105
SFC-050SA2	25	0.02	1	±0.4	10000	32000	48	54.88x10 ⁻⁶	0.156
								77.10x10 ⁻⁶	0.185
								99.33x10 ⁻⁶	0.214
SFC-060SA2	60	0.02	1	±0.45	10000	70000	76.4	143.7x10 ⁻⁶	0.279
								206.1x10 ⁻⁶	0.337
								268.5x10 ⁻⁶	0.396
SFC-080SA2	100	0.02	1	±0.55	10000	140000	128	709.3x10 ⁻⁶	0.727
SFC-090SA2	180	0.02	1	±0.65	10000	100000	108	1227x10 ⁻⁶	0.959
SFC-100SA2	250	0.02	1	±0.74	10000	120000	111	1858x10 ⁻⁶	1.181

※表中的转动惯量及质量是最大孔径时之值; 表中的扭转弹性常数数值仅为元件部分之值。
※The moment of inertia and mass in the table are the values at the maximum aperture; The values of torsional elasticity constants in the table are only the values of components.

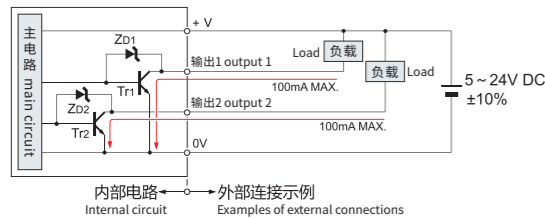
光电感应器接线说明

Wiring instructions of photoelectric sensor

直流4线式NPN输出 DC 4 wire NPN output

输入、输出电路

Input and output circuits

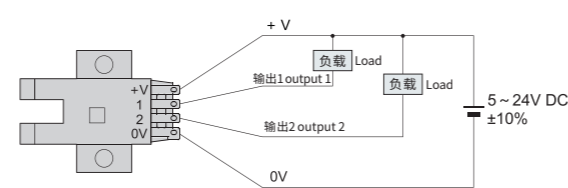


(注1): 对不使用的输出线, 请务必进行绝缘处理。
(Note 1): The unused output lines must be insulated.

符号... ZD1, ZD2: 电涌吸收齐纳二极管 Surge absorption zener diode
Symbol... Tr1, Tr2: NPN输出晶体管 NPN output transistor

连接图

Connected graph



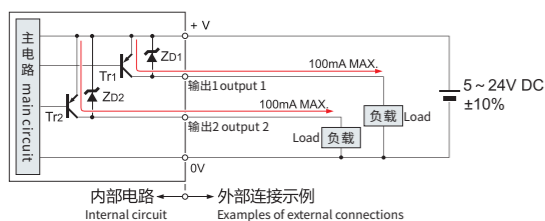
输出动作 Output action

	输出动作 Output action
输出1 output 1	遮光时ON Shading time ON
输出2 output 2	入光时ON Incident light ON

直流4线式PNP输出 DC 4 wire PNP output

输入、输出电路

Input and output circuits

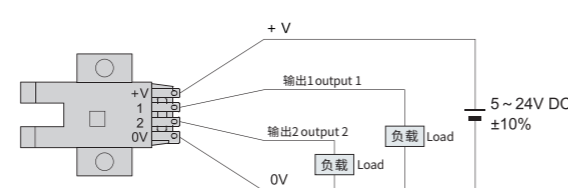


(注1): 对不使用的输出线, 请务必进行绝缘处理。
(Note 1): The unused output lines must be insulated.

符号... ZD1, ZD2: 电涌吸收齐纳二极管 Surge absorption zener diode
Symbol... Tr1, Tr2: PNP输出晶体管 PNP output transistor

连接图

Connected graph



输出动作 Output action

	输出动作 Output action
输出1 output 1	遮光时ON Shading time ON
输出2 output 2	入光时ON Incident light ON

使用安全注意事项

Safety use and cautions

◆ 以下为几条建议以防产品使用过程中产生问题。
Here are a few Suggestions to prevent problems during product use.

为防止事故发生及安全维护, 请使用本公司产品前, 必须了解产品的特性和使用条件、安装说明。

In order to prevent accidents and safety maintenance, before you use the company's product, you must understand the characteristics of the products and use conditions, installation instructions.

请在选型的参数范围内使用本型号的产品, 不可超出参数范围使用, 否则会造成不可预知的危险。如果是特殊条件使用, 必须确认在可控安全性能之内, 方能使用, 对产品参数如有疑问, 在未使用之前, 可咨询本公司相关技术。

Please use the product of this model within the selected parameter range, and do not use it beyond the parameter range, otherwise it will cause unpredictable danger. If it is used under special conditions, it must be confirmed that it is within the controllable safety performance before it can be used. If you have any questions about the product parameters, you can consult the relevant technology of our company before you use it.

请勿私自拆卸本产品结构, 功能做分解及改造, 如因人为造成的一切原因, 本公司不负责产品故障造成的损失。

Please do not disassemble the structure and function of this product without permission, and decompose and transform it. For all reasons caused by man-made, our company will not be responsible for the loss caused by product failure.

请注意: 当产品为垂直安装的时候, 请注意拆卸马达时, 滑座物件是否会自行下降, 建议拆卸的时候将滑座物件下降到最低端再拆卸。

Please note: When the product is installed vertically, please pay attention to whether the slide object will drop by itself when the motor is disassembled. It is

产品运行前, 先检查电缆线端子是否接触良好, 否则会导致电机发热发烫, 运行不畅。

Before running the product, check whether the cable terminals are in good contact or not, otherwise the motor will become hot and run poorly.

调试马达参数的时候需要考虑到惯性及加减速度等原因, 先手动控制, 来回点动, 防止调试不适当, 撞坏物件。不允许手及其它物体接触, 保持一定安全距离, 防止造成误伤。

When debugging the parameters of the motor, we need to consider the reasons of inertia, acceleration and deceleration. We should control the motor manually and move it back and forth to prevent the inappropriate debugging and damage the object. It is not allowed to contact hands and other objects to maintain a safe distance and prevent accidental injury.

当选用螺杆传动产品的时候, 如超出螺杆细长比参数, 可能会发生共振现象, 此时应降低移动速度。如选用皮带传动产品的时候, 如电机报警, 产品运行不动, 此时因加减速机, 调节电机刚性, 加大扭矩, 从而平稳运行。

When the screw drive product is selected, if the slenderness ratio parameter of the screw exceeds, resonance may occur, so the moving speed should be reduced. Choose a belt. When the product is driven, such as the motor alarm, the product will not move. At this time, the reducer is added to adjust the rigidity of the motor

安装本产品时, 请务必确认所有的螺丝均已按要求锁紧, 否则产品运行时可能会发生危险。

When installing this product, please make sure that all screws are locked as required, otherwise the product may be in danger during operation.

请不要在接通电源的情况下进行产品拆装或零部件拆装, 否则可能发生触电、故障或其它危险。

Please do not disassemble the product or parts when the power is turned on, otherwise electric shock, malfunction or other dangers may occur.

禁止撕除警告标示, 或者警告标示被其它物品遮挡, 否则可能因为没有看到警告而导致事故发生。

It is forbidden to tear off the warning signs, or the warning signs are blocked by other objects, otherwise the accident may occur because you don't see the warning.

本注意事项无法完全涵盖所有的问题, 请务必详细了解产品及其使用说明, 并遵守相关安全守则, 做好必要保护措施, 以免造成产品损坏或导致人身安全问题。如有其它相关问题, 可咨询本公司。

This note can not cover all the problems. Please be sure to understand the product and its instructions in detail, comply with relevant safety codes, and take necessary protective measures to avoid product damage or personal safety problems. If you have any other related questions, you can consult us.



同步带轮的安装方法

Installation of timing pulley and motor

1、下图为螺杆模组的转折形式：成品模组+同步轮+同步带+槽型光电（同步带形式模组安装方法一致，可参考本文）。

1、The following figure shows the turning form of screw module: finished module+synchronous wheel+synchronous belt+groove photoelectric (the installation method of synchronous belt module is the same, please refer to this article).



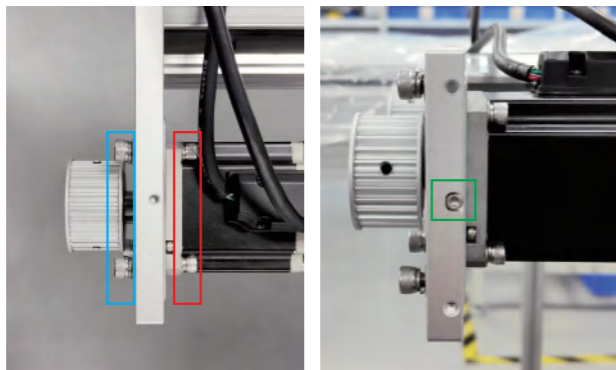
2、拆卸固定钣金螺丝后，即可看到丝杆端同步轮已安装好。只需要客户安装电机/减速机端的同步轮。

2、After removing the screws fixing the sheet metal, we can see that the screw end synchronous wheel has been installed in our factory. Only the customer needs to install the synchronous wheel at the motor/reducer end.



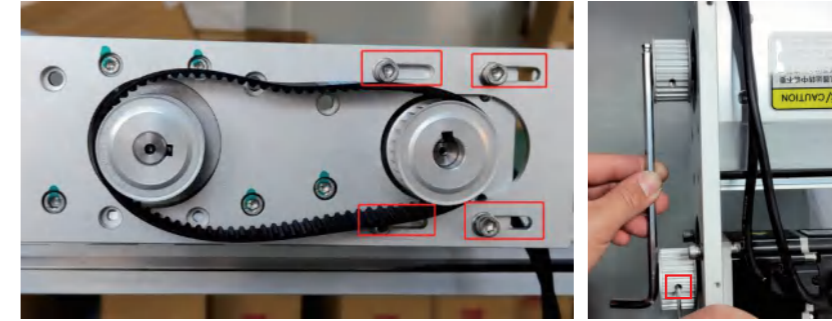
3、安装电机（一般电机包装内有螺丝提供），并锁紧固定电机的4颗螺丝（红色区域）之后拧松固定拉板的固定螺丝（蓝色和绿色区域）。

3、Install the motor (screws are provided in the general motor package), and after locking the four screws (red areas) that fix the motor, loosen the fixing screws (blue and green areas) that fix the pull plate.



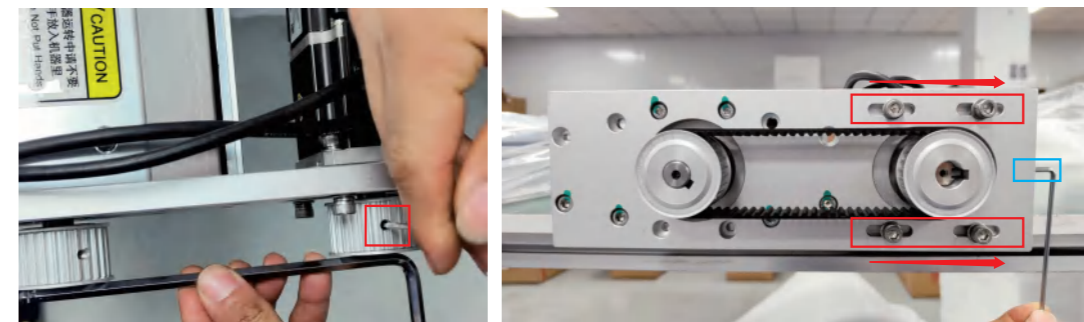
4、因拧松固定拉板的螺丝。电机端同步轮可左右来回活动。借助6MM六角扳手（不限于扳手）。

4、Loosen the screw fixing the pull plate. The synchronous wheel at the motor end can move back and forth left and right. With the help of a 6MM hex wrench (not limited to wrenches).



5、固定同步轮上紧固螺丝（一般情况下2个）。蓝色区域M3螺丝锁紧，红色区域螺丝会向右侧移动。蓝色区域张紧中，可用手感受同步带的张紧，也可使用专业设备测试张紧。最后在安装钣金折罩，固定螺丝即可。

5、Fastening screws on the synchronizing wheel (usually 2). The blue area M3 screw is locked, and the red area screw will move to the right. In the blue area, feel is available. When the timing belt is tensioned, you can also use professional equipment to test the tension. Finally, install the sheet metal folding cover and fix the screws.



- HNR-E
- HNB-E
- HFR
- HNR
- HCR
- HNB
- HCB
- HNT
- XYZ

参考资料
Reference data



维护保养手册

一、日常检查项目

线性模组是一种常见的传动机构,在实际操作中,被广泛应用到各种各样的设备中,因使用环境和使用工况不同,需要及时检查和维修。

日常检查项目	
1. 检查部件表面是否有损伤,压痕和摩擦情况。	2. 滚珠螺杆、轨道、轴承是否有异常震动或噪音。
3. 电机、联轴器是否有异常震动或噪音。	4. 所见部位是否有不明粉尘、油渍、痕迹等。

二、周期维护项目

配件	维护方案	维护周期	具体操作
滚珠螺杆	增加润滑脂(粘度:30-40cts) 清理旧油污,注入新润滑脂。	每月一次或每行走100KM的距离	用无尘布直接擦拭干净螺杆珠槽和螺母两端,将新润滑脂直接注入油孔或涂抹螺杆表面。
线性滑轨	增加润滑脂(粘度:30-150cts) 清理旧油污,注入新润滑脂。	每月一次或每行走100KM的距离	用无尘布直接擦拭干净轨道表面及轨道珠槽,将新润滑脂直接注入油孔。

三、异常问题以及解决方法

线性模组异常情况	维修、排除方法
电源接入时产生异音	1. 调整伺服驱动器内参数“机械共振抑制”数值。 2. 调整伺服驱动器内参数“自动调谐”数值。
马达转动时产生异音	1. 调整伺服驱动器内参数“机械共振抑制”数值。 2. 调整伺服驱动器内参数“自动调谐”数值。 3. 检查马达刹车是否释放。 4. 检查机构是否因超载产生变形。
马达运转时滑台不顺畅	1. 检查刹车是否释放。 2. 将马达与线性模组分离,手推滑动座,判断问题点原因。 3. 检查联轴器固定螺丝是否松动。 4. 检查线性模组移动区域是否有异物掉落。
线性模组行走距离与实际距离不符	1. 检查输入行走数值是否正确。 2. 检查导程输入数值是否正确。
马达运动ON, 没有移动	1. 检查刹车是否释放。 2. 检查联轴器固定螺丝是否松动。 3. 将马达与线性模组分离,判断问题点、原因。

另本公司负责自身商品的故障维修,并不负责因产品故障引起的其他损失。

Maintenance manual

一、Daily inspection items

Linear module is a common transmission mechanism, which is widely used in all kinds of equipment in actual operation. It needs to be checked and maintained in time because of the different environment and working conditions.

Daily inspection items	
1. Check the surface of parts for damage, indentation and friction.	2. Is there any abnormal vibration or noise in the screw, track and bearing.
3. Whether the motor and coupling have abnormal vibration or noise.	4. See if there are any unknown dust, oil stains, traces, etc.

二、Periodic maintenance project

Parts	Maintenance scheme	Maintenance cycle	Specific operation
Ball screw	Add grease (viscosity: 30-40cts) Clean up old grease and inject new grease.	Once a month or every 100KM distance.	Clean the screw bead groove and both ends of the nut directly with a dust-free cloth, and directly inject new grease into the oil hole or coat the screw surface.
Linear slide rail	Add grease (viscosity: 30-150cts) Clean up old grease and inject new grease.	Once a month or every 100KM distance.	Clean the track surface and track bead groove directly with a dust-free cloth, and directly inject new grease into the oil hole.

三、Exceptions and solutions

Linear module abnormal situation	Maintenance and troubleshooting methods
Abnormal sound is produced when the power supply is connected.	1. Adjust the value of the servo drive parameter "mechanical resonance suppression". 2. Adjust the value of Auto tuning in the servo driver.
Abnormal sound is produced when the motor rotates.	1. Adjust the value of the servo drive parameter "mechanical resonance suppression". 2. Adjust the value of Auto tuning in the servo driver. 3. Check whether the motor brake release. 4. Check whether the mechanism is deformed due to overload.
The sliding table is not smooth when the motor is running.	1. Check the brake release. 2. Separate the motor from the linear module and push the sliding seat to determine the cause of the problem. 3. Check the coupling setting screws for loosening. 4. Check whether foreign objects have fallen from the moving area of the linear module.
The linear walking distance of the module is inconsistent with the actual distance.	1. Check whether the input walking value is correct. 2. Check whether the lead input value is correct.
The motor is ON, and the slide table does not move.	1. Check the brake release. 2. Check whether the coupling fixing screw is loose. 3. Separate the motor from the linear module to determine the cause of the problem.

In addition, the company is responsible for the fault maintenance of its own goods, and is not responsible for other losses caused by product failure.



维护保养手册

一、日常检查项目

线性模组是一种常见的皮带传动机构,在实际操作中,被广泛应用到各种各样的设备中,因使用环境和用工况不同,需要及时检查和维护。

日常检查项目	
1. 检查部件表面是否有损伤,压痕和摩擦情况。	2. 检查皮带是否张紧,是否达到张力计参数标准。
3. 调试的时候因查阅同步带参数避免速度过快撞机。	4. 模组程序启动,人应离开模组安全距离,避免人身伤害。

二、周期维护项目

配件	维护方案	维护周期	具体操作
同步带	垂直使用情况下,皮带张紧力校核。	每半个月检查下皮带松弛。	把张力计对着皮带间距10MM处,手拨动皮带,皮带震动显示数值,是否达到出厂时的参数值,若不是,拧紧张紧机构。
线性滑轨	增加润滑脂(粘度:30-150cts)清理旧油污,注入新润滑脂。	每月一次或每行走100KM 离。	用无尘布直接擦拭干净轨道表面及轨道珠槽,将新润滑脂直接注入油孔。

三、异常问题以及解决方法

线性模组异常情况	维修、排除方法
电源接入时产生异音	1. 调整伺服驱动器内参数“机械共振抑制”数值。 2. 调整伺服驱动器内参数“自动调谐”数值。
如联轴器,同步轮出现打滑	1. 检查同步轮,联轴器是否锁紧。 2. 检查同步轮,联轴器是否带键槽。 3. 同步轮和联轴器的轴是否匹配。
马达运转时滑台不顺畅	1. 检查刹车是否释放。 2. 将马达与线性模组分离,手推滑动座,判断问题点原因。 3. 检查联轴器固定螺丝是否松动。 4. 检查线性模组移动区域是否有异物掉落。
皮带模组运行出现定位精度不准	1. 检查皮带是否松弛,皮带出现跳齿。 2. 检查皮带导程输入数值是否正确。
如何服电机报警,显示过载	1. 检查刹车是否释放。 2. 检查联轴器固定螺丝是否松动。 3. 因加减速机,加大速比,增大扭矩,降低速度。

另本公司负责自身商品的故障维修,并不负责因产品故障引起的其他损失。

Maintenance manual

一、Daily inspection items

Linear module is a common belt transmission mechanism, which is widely used in all kinds of equipment in actual operation. It needs to be checked and maintained in time because of the different environment and working conditions.

Daily inspection items	
1. Check the surface of parts for damage, indentation and friction.	2. Check whether the belt is tensioned and meets the parameter standard of tensiometer.
3. When debugging, consult the timing belt parameters to avoid too fast collision.	4. When the module starts, people should leave the module at a safe distance to avoid personal injury.

二、Periodic maintenance project

Parts	Maintenance scheme	Maintenance cycle	Specific operation
Synchronous belt	Under vertical use, belt tension Check.	Check the belt slack every half month.	Point the tensiometer at the belt spacing of 10mm, and touch the belt by hand. The vibration of the belt shows whether the value reaches the factory parameter value. If not, screw the tensioning mechanism.
Linear slide rail	Add grease (viscosity: 30-150cts) Clean up old grease and inject new grease.	Once a month or every 100KM distance.	Clean the track surface and track bead groove directly with a dust-free cloth, and directly inject new grease into the oil hole.

三、Exceptions and solutions

Linear module abnormal situation	Maintenance and troubleshooting methods
Abnormal sound is produced when the power supply is connected.	1. Adjust the value of the servo drive parameter "mechanical resonance suppression". 2. Adjust the value of Auto tuning in the servo driver.
For example, the coupling and synchronous wheel slip.	1. Check whether the synchronizing wheel and coupling are locked. 2. Check whether the synchronizing wheel and coupling have keyways. 3. Whether the shafts of the synchronizing wheel and the coupling are matched.
The sliding table is not smooth when the motor is running.	1. Check the brake release. 2. Separate the motor from the linear module and push the sliding seat to determine the cause of the problem. 3. Check the coupling setting screws for loosening. 4. Check whether foreign objects have fallen from the moving area of the linear module.
The positioning accuracy of belt running is inaccurate.	1. Check whether the belt is slack, and the belt has tooth jumping. 2. Check whether the input value of belt lead is correct.
If the servo motor alarms, overload is displayed.	1. Check the brake release. 2. Check whether the coupling fixing screw is loose. 3. Increase the speed ratio, torque and speed by adding a reducer.

In addition, the company is responsible for the fault maintenance of its own goods, and is not responsible for other losses caused by product failure.



客户名称:			邮箱:				
电话:			:				
接洽人:			:				
使用需求	行程 (mm):		(mm/s):				
	负载 (kg):		mm				
	(s):		(s):				
	工件力矩 (mm)						
		A	B	C	A	B	C
组合形式	A系列	A1	A2	A3	A4	A: _____	
	G系列	G1	G2	G3	G4	G: _____	
	F系列	F1	F2	F3	F4	F: _____	
	P系列	P1	P2	P3	P4	P: _____	
Y	0-500	500-800	800-1200				
电机连接方式	X	M	MP	MR	LP	RP	DL
		MD	MU	ML	LU	RU	DR
	Y	M	MP	MR	LP	RP	DL
		MD	MU	ML	LU	RU	DR
Z	M	MP	MR	LP	RP	DL	
	MD	MU	ML	LU	RU	DR	
	M	MP	MR	LP	RP	DL	
	MD	MU	ML	LU	RU	DR	
:		:					
传感器位置	内置 <input type="checkbox"/> 外挂 <input type="checkbox"/>	NPN <input type="checkbox"/> PNP <input type="checkbox"/>		数目: _____ 个			
应用方式	取放物料 <input type="checkbox"/>		CCD检测 <input type="checkbox"/>	加工物件 <input type="checkbox"/>	涂胶 <input type="checkbox"/>		
	定点检测 <input type="checkbox"/>		位移检测 <input type="checkbox"/>	锁螺丝 <input type="checkbox"/>	其他: _____		
应用环境	无尘环境 <input type="checkbox"/>						
	一般环境 <input type="checkbox"/>						
	不要求 <input type="checkbox"/>	70~80db <input type="checkbox"/>	60~70db <input type="checkbox"/>	(分贝等级会影响单价)			
			指定厂牌:	()			
设备设计模式	量产机:		开发机:				
因组合形式较多, 实际细节请和设计部门详细讨论。							
备注:							

Linear Servo Actuator Demand Specification Survey

Customer name			Email				
Telephone			Address				
Contact person			Title				
Usage requirement	Stroke (mm)		maximum speed (mm/s)				
	Load (kg)		Repetition positioning accuracy (mm)				
	Residence time (s)		Acceleration and deceleration time(s)				
	Installation method						
	Load and Cantilever Length (mm)						
A		B	C	A	B	C	A
Combination form	A Series	A1	A2	A3	A4	A: _____	
	G Series	G1	G2	G3	G4	G: _____	
	F Series	F1	F2	F3	F4	F: _____	
	P Series	P1	P2	P3	P4	P: _____	
The Y-axis cantilever is too long. It is recommended to use auxiliary rails within the span of 0-500, auxiliary shafts for 500-800 and double drives for 800-1200.							
Motor connection mode	X axis	M	MP	MR	LP	RP	DL
		MD	MU	ML	LU	RU	DR
	Y axis	M	MP	MR	LP	RP	DL
		MD	MU	ML	LU	RU	DR
Z axis	M	MP	MR	LP	RP	DL	
	MD	MU	ML	LU	RU	DR	
single axis	M	MP	MR	LP	RP	DL	
multi axis	MD	MU	ML	LU	RU	DR	
Servo motor	Brand: _____		Model: _____				
Sensor position	Inside <input type="checkbox"/> Outside <input type="checkbox"/>	Type: NPN <input type="checkbox"/> PNP <input type="checkbox"/>		Quantity: _____ Pcs			
Application mode	Take and place materials		CCD detection	Machining material		Dispense <input type="checkbox"/> Handling <input type="checkbox"/>	
	Fixed-point detection		Displacement detection	Lock screw		Other: _____	
Application environment	Dust free environment <input type="checkbox"/>		Drive Method	Screw <input type="checkbox"/> Belt <input type="checkbox"/> Gear rack <input type="checkbox"/>			
	General environment <input type="checkbox"/>						
Module noise requirements	Does not require <input type="checkbox"/>		70~80db <input type="checkbox"/>	60~70db <input type="checkbox"/>	(decibel level will affect the unit price)		
Ball screw brand	Screw <input type="checkbox"/>		Designated brand:		(Ball screw brand will affect unit price)		
Equipment design mode	Mass production machine:		Development machine:				
As there are many combinations, please discuss the actual details with the design department in detail.							
Remarks:							
Customer name:	Signature:		Date:				

HNR-E
HNB-E
HFR
HNR
HCR
HNB
HCB
HNT
XYZ

参考资料
Reference data